



US00D733509S

(12) **United States Design Patent**
Cornu

(10) **Patent No.:** **US D733,509 S**
(45) **Date of Patent:** **** Jul. 7, 2015**

- (54) **SIEVE WITH HANDLE**
- (71) Applicant: **Dart Industries Inc.**, Orlando, FL (US)
- (72) Inventor: **Judicaël Cornu**, Brussels (BE)
- (73) Assignee: **Dart Industries Inc.**, Orlando, FL (US)
- (**) Term: **14 Years**
- (21) Appl. No.: **29/485,265**
- (22) Filed: **Mar. 18, 2014**
- (51) **LOC (10) Cl.** **07-02**
- (52) **U.S. Cl.**
USPC **D7/667**
- (58) **Field of Classification Search**
USPC D7/667, 668, 571, 576, 582, 544;
210/314, 249, 456, 490, 480, 481,
210/493.5, 493.3, 495, 497.1, 498, 497.01,
210/499, 470-474, 464, 465; 99/324, 325,
99/505-511, 339, 415, 425, 345, 426, 403
CPC A47J 43/24; A47J 43/22
See application file for complete search history.

- D358,533 S * 5/1995 Cousins et al. D7/667
- D359,887 S * 7/1995 Hasuike D7/667
- D445,004 S 7/2001 Wallays
- D450,547 S * 11/2001 Lo D7/667
- D660,661 S * 5/2012 Lee et al. D7/667
- D661,955 S * 6/2012 Lee et al. D7/667

* cited by examiner

Primary Examiner — Terry Wallace

(74) *Attorney, Agent, or Firm* — Taylor J. Ross

(57) **CLAIM**

The ornamental design for a sieve with handle, as shown and described.

DESCRIPTION

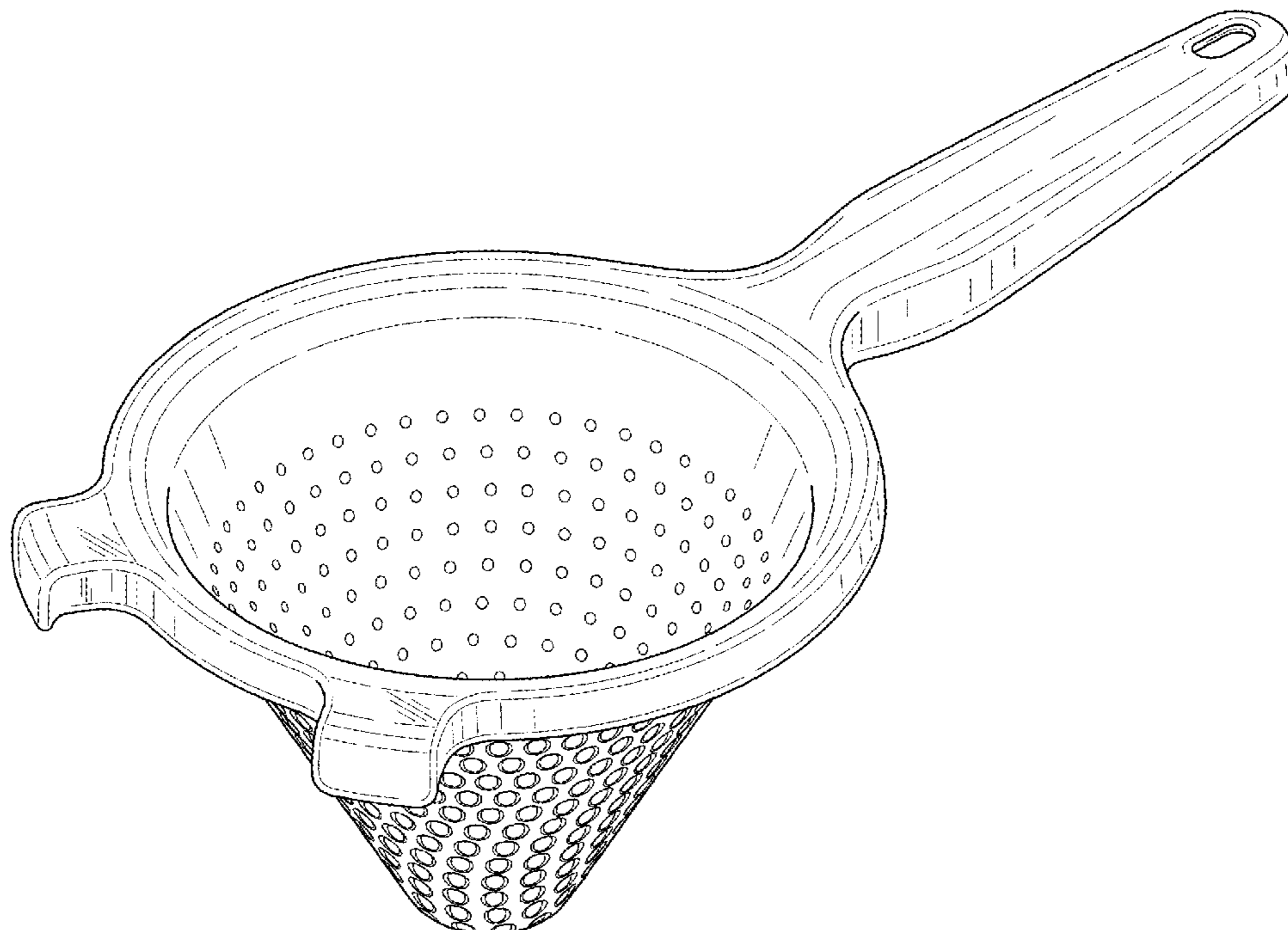
FIG. 1 is a top, front and left side perspective view of a sieve with handle showing my new design;
 FIG. 2 is a top plan view thereof;
 FIG. 3 is a bottom plan view thereof;
 FIG. 4 is a left side elevation view thereof;
 FIG. 5 is a right side elevation view thereof;
 FIG. 6 is a front elevation view thereof;
 FIG. 7 is a rear elevation view thereof;
 FIG. 8 is a cross-sectional view taken along line 8-8 of FIG. 2;
 and,
 FIG. 9 is a cross-sectional view taken along line 9-9 of FIG. 2.

1 Claim, 7 Drawing Sheets

(56) **References Cited**

U.S. PATENT DOCUMENTS

- D251,050 S * 2/1979 Wallsten D7/667
- D314,315 S * 2/1991 Darnell D7/667
- D334,691 S * 4/1993 Feer D7/667



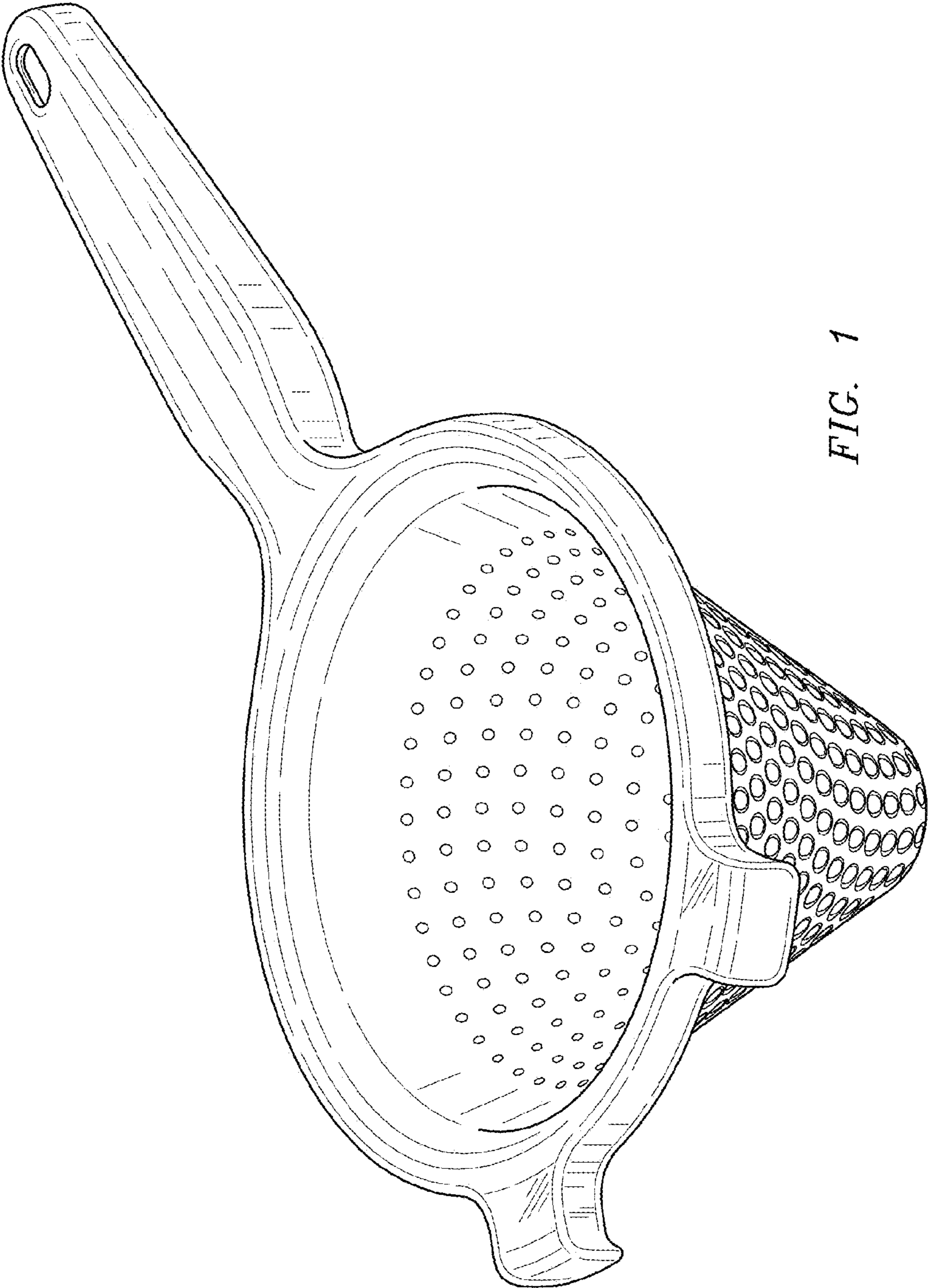


FIG. 1

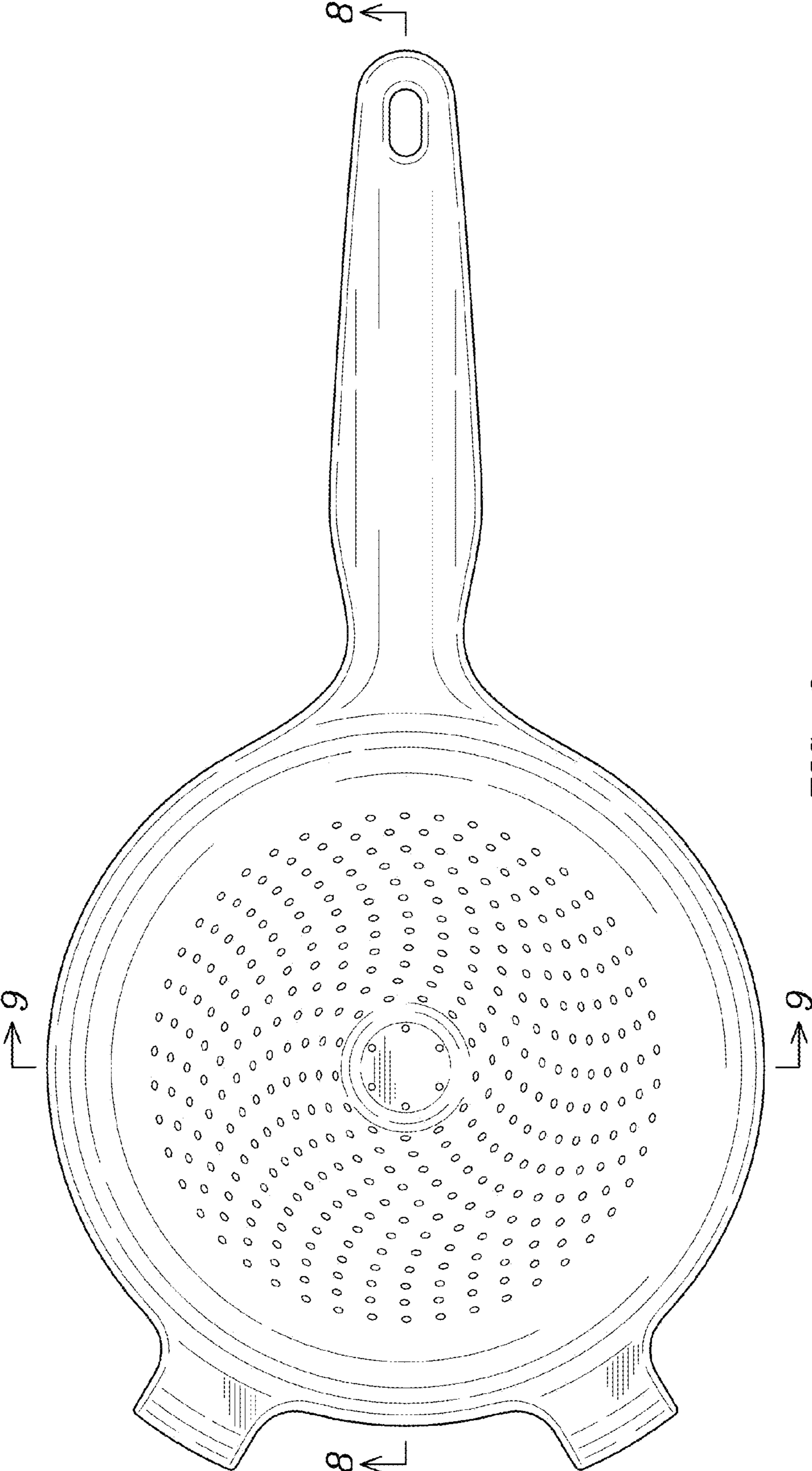


FIG. 2

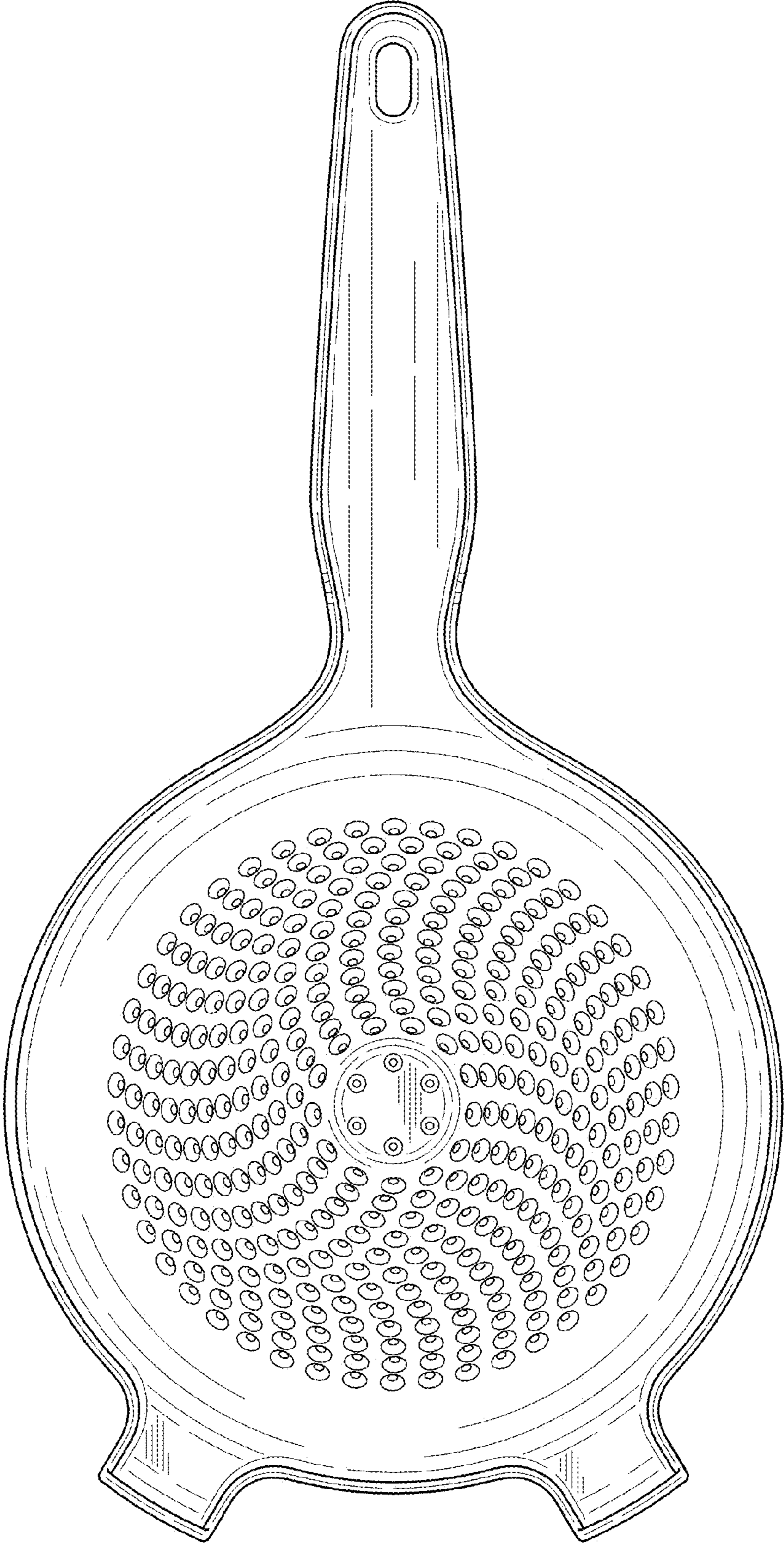


FIG. 3

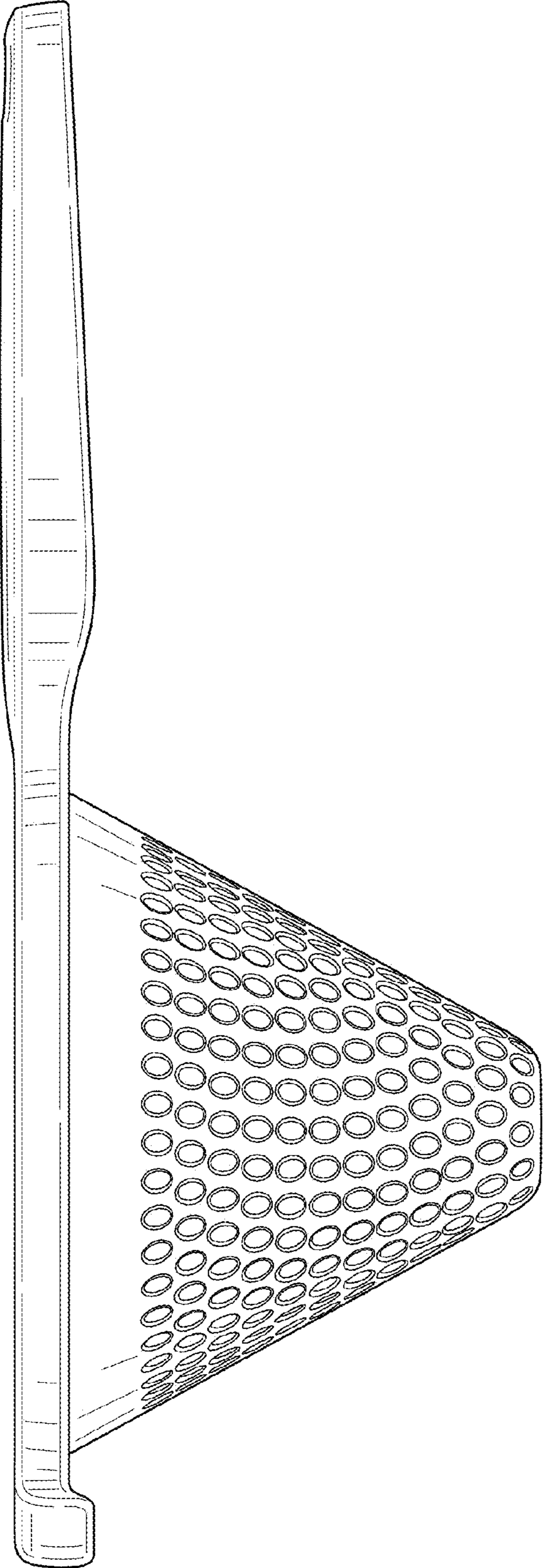


FIG. 4

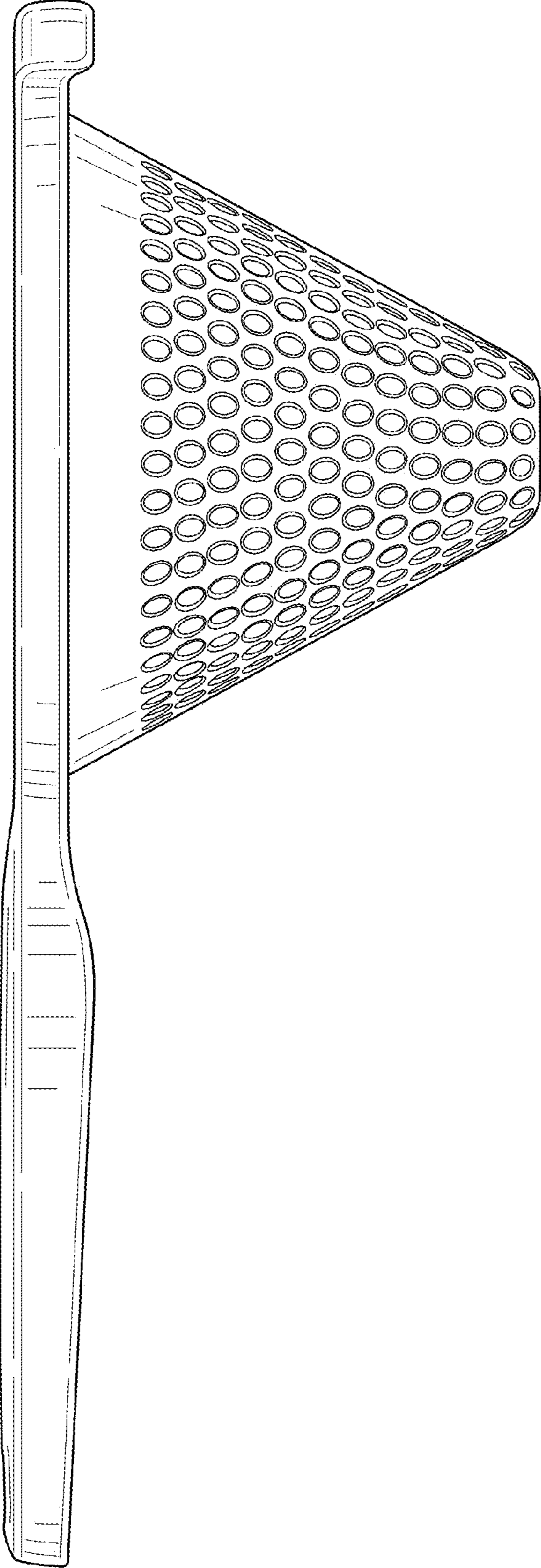


FIG. 5

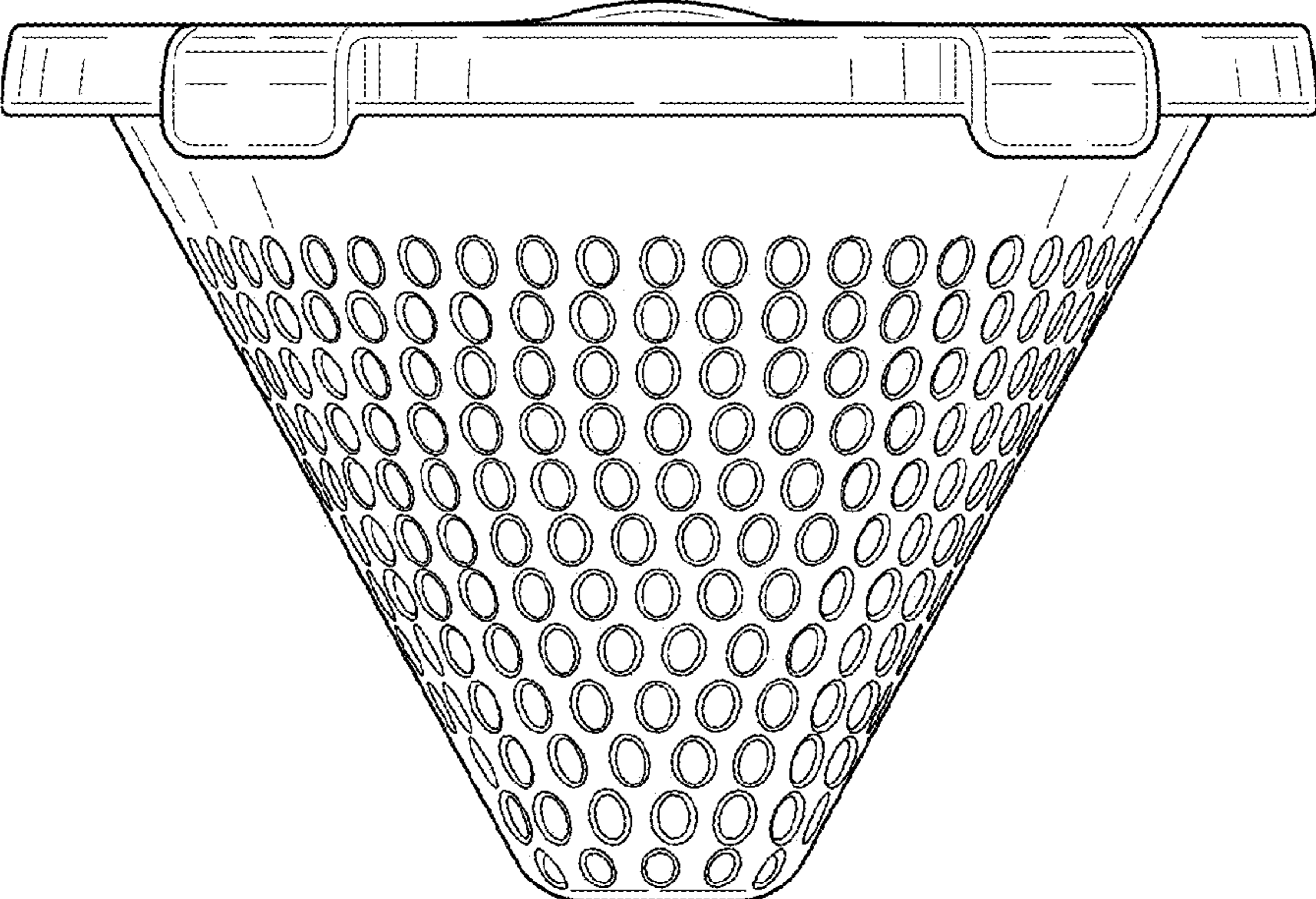


FIG. 6

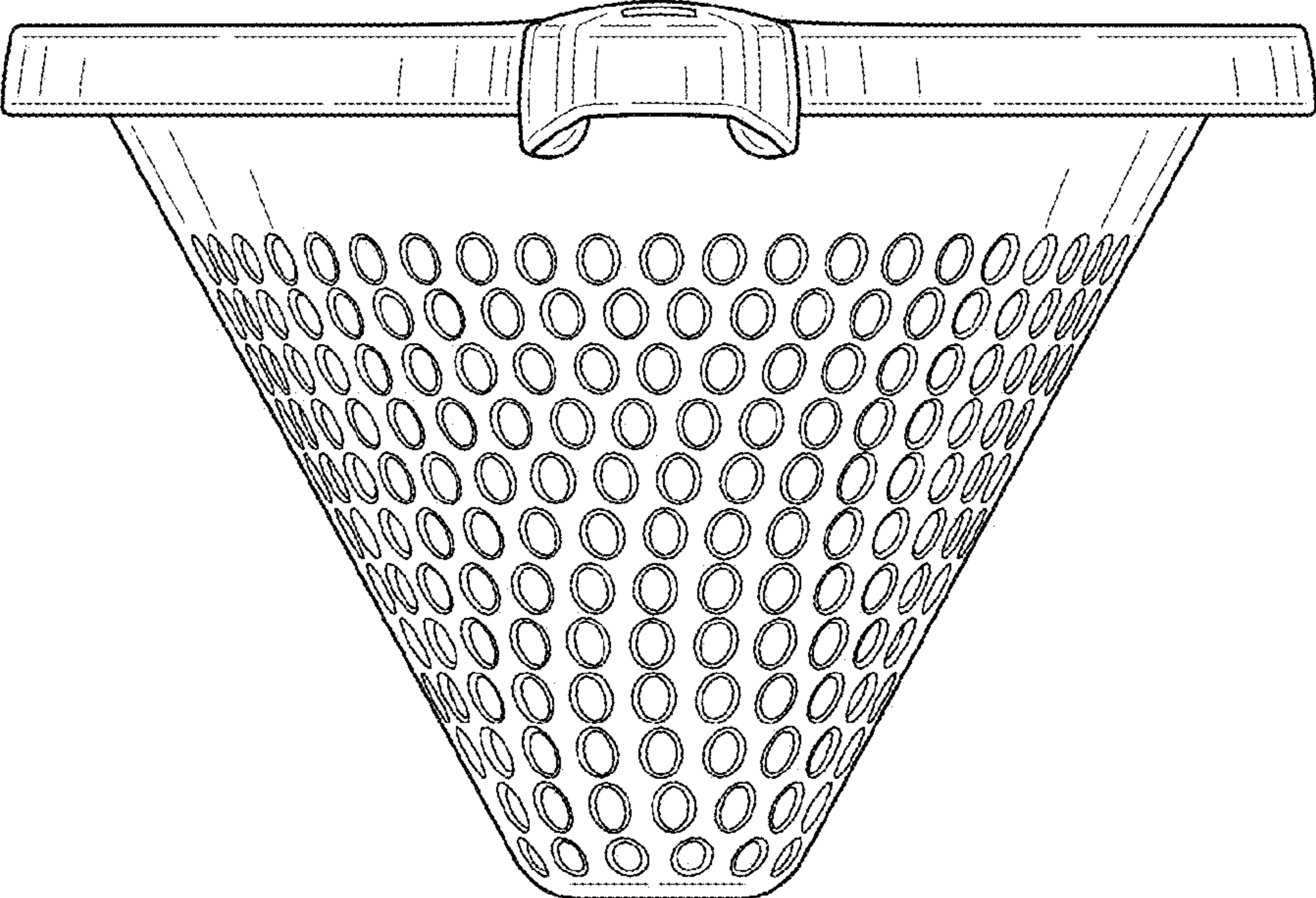


FIG. 7

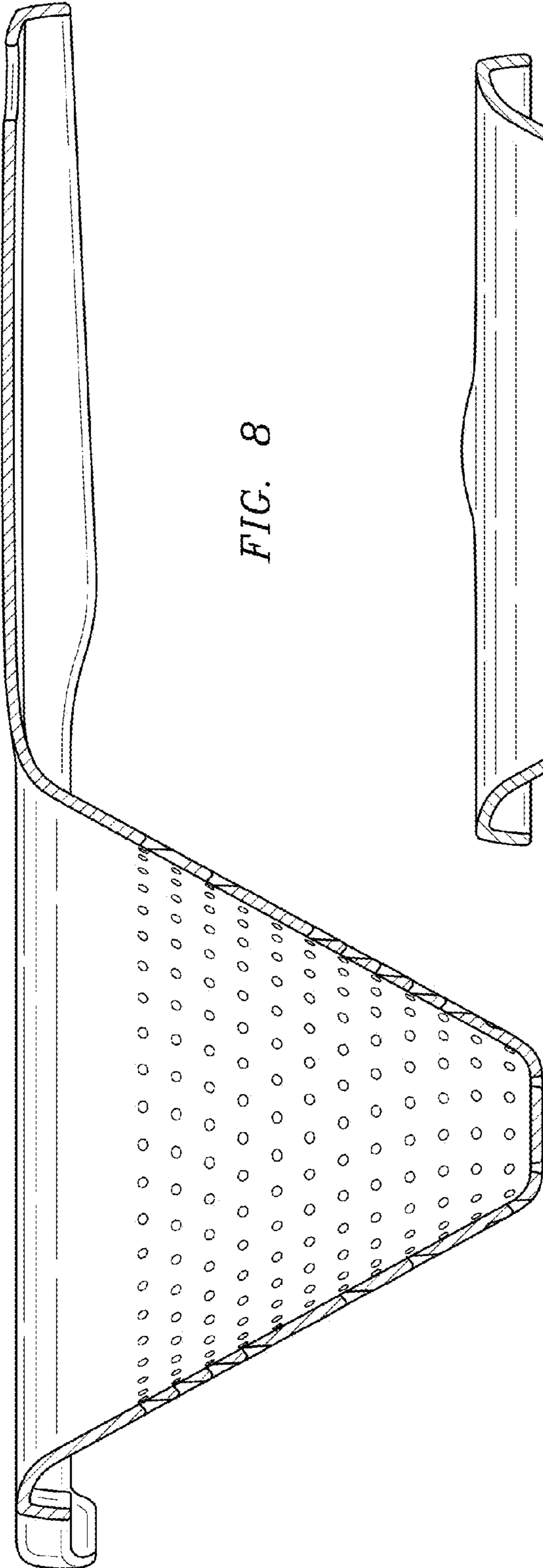


FIG. 8

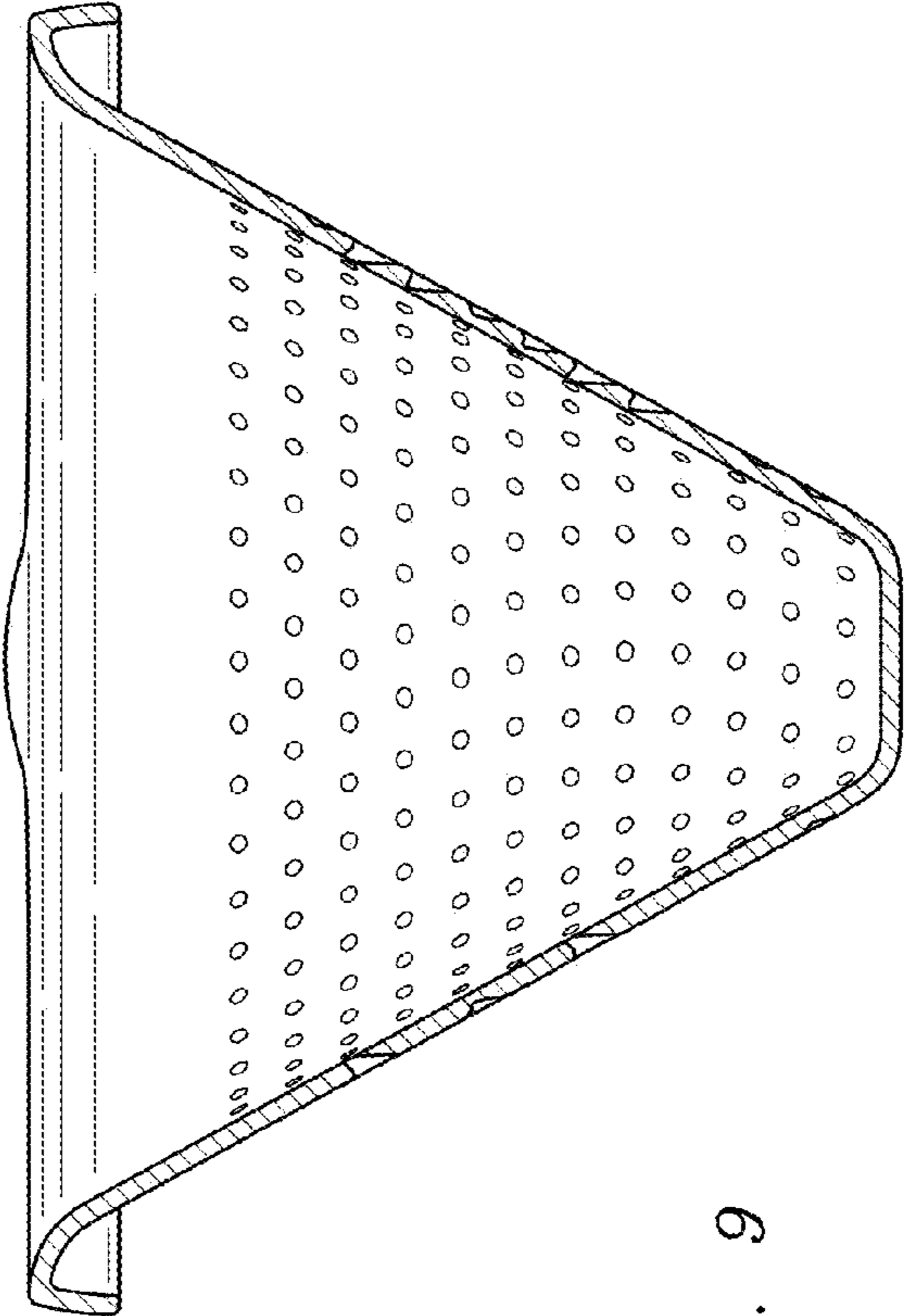


FIG. 9