



US00D733508S

(12) **United States Design Patent**  
**Lee**

(10) **Patent No.:** **US D733,508 S**  
(45) **Date of Patent:** **\*\* Jul. 7, 2015**

- (54) **COCKTAIL STRAINER**
- (71) Applicant: **Cocktail Kingdom LLC**, New York, NY (US)
- (72) Inventor: **Don H. Lee**, New York, NY (US)
- (73) Assignee: **COCKTAIL KINGDOM LLC**, New York, NY (US)
- (\*\*) Term: **14 Years**
- (21) Appl. No.: **29/484,295**
- (22) Filed: **Mar. 7, 2014**
- (51) **LOC (10) Cl.** ..... **07-04**
- (52) **U.S. Cl.**  
USPC ..... **D7/667**
- (58) **Field of Classification Search**  
USPC ..... D7/667, 668; 99/275; 222/189.06,  
222/189.07; 210/464-475, 482, 495, 498,  
210/499, 497.01; 100/110, 104  
CPC ..... E04D 13/076; B30B 9/02; A47J 43/27;  
A47J 43/286; A47J 43/284; A47J 31/02  
See application file for complete search history.

|              |      |        |                    |       |         |
|--------------|------|--------|--------------------|-------|---------|
| 2012/0061398 | A1 * | 3/2012 | Nilsson            | ..... | 220/568 |
| 2012/0147693 | A1 * | 6/2012 | Bahlenhorst et al. | ..... | 366/130 |
| 2013/0160213 | A1 * | 6/2013 | Salles             | ..... | 7/119   |

\* cited by examiner

*Primary Examiner* — Terry Wallace

(74) *Attorney, Agent, or Firm* — Stroock & Stroock & Lavan LLP; Jason M. Sobel

(57) **CLAIM**

The ornamental design for a cocktail strainer, as shown and described.

**DESCRIPTION**

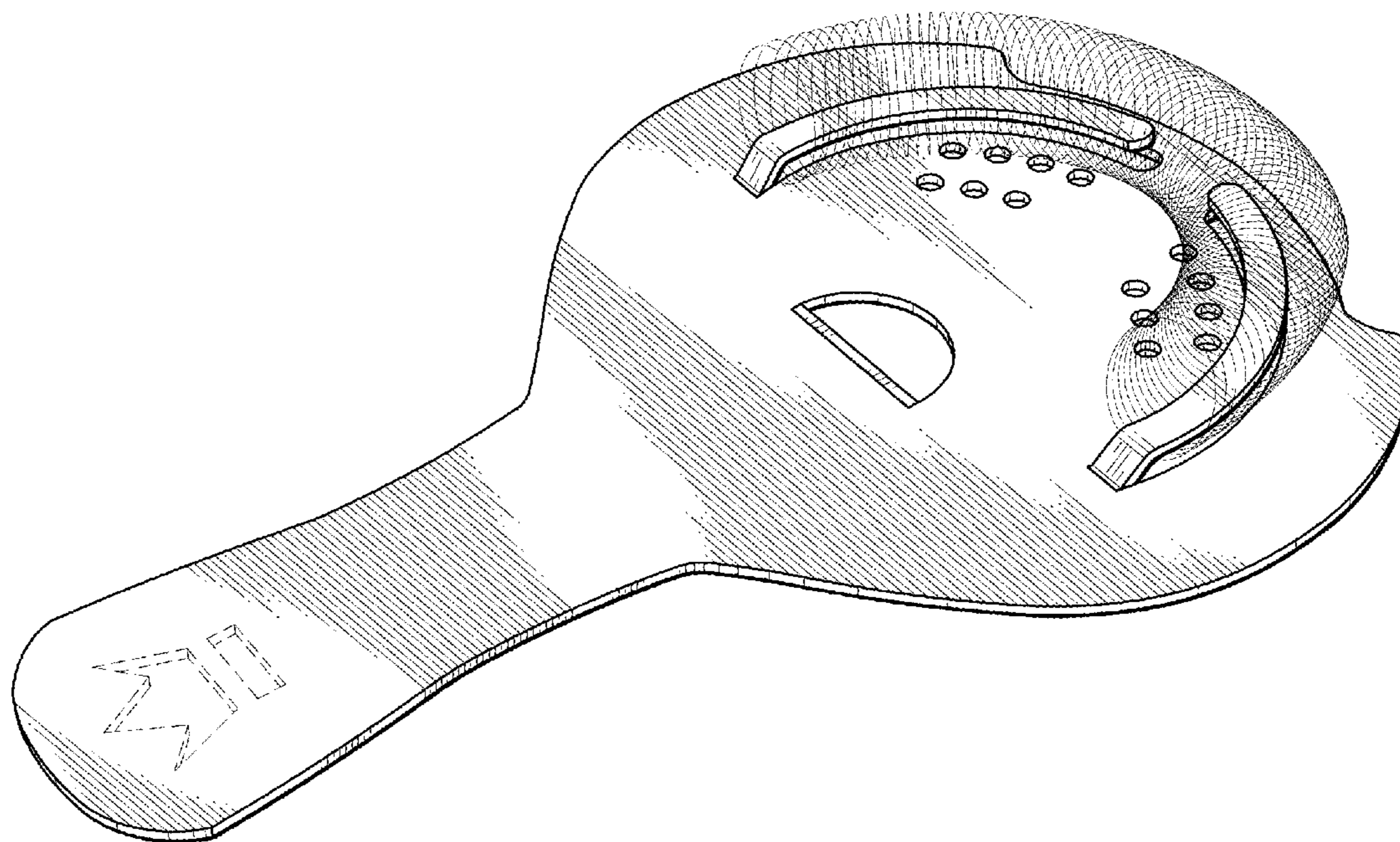
FIG. 1 is a perspective view of the underside of a cocktail strainer, constructed in accordance with the present invention;  
 FIG. 2 is a perspective view of the topside of the cocktail strainer of FIG. 1;  
 FIG. 3 is an underside view of the cocktail strainer of FIG. 1;  
 FIG. 4 is a topside view of the cocktail strainer of FIG. 1;  
 FIG. 5 is a bottom edge view of the cocktail strainer of FIG. 1;  
 FIG. 6 is a top edge view of the cocktail strainer of FIG. 1;  
 and,  
 FIG. 7 is a side edge view of the cocktail strainer of FIG. 1.  
 The elements delineated in dashed or broken lines forms no part of the claimed design of the cocktail strainer.

**1 Claim, 6 Drawing Sheets**

(56) **References Cited**

**U.S. PATENT DOCUMENTS**

|           |      |         |            |       |         |
|-----------|------|---------|------------|-------|---------|
| 1,044,869 | A *  | 11/1912 | Emmenegger | ..... | 30/325  |
| 8,631,722 | B1 * | 1/2014  | Davis      | ..... | 81/3.09 |



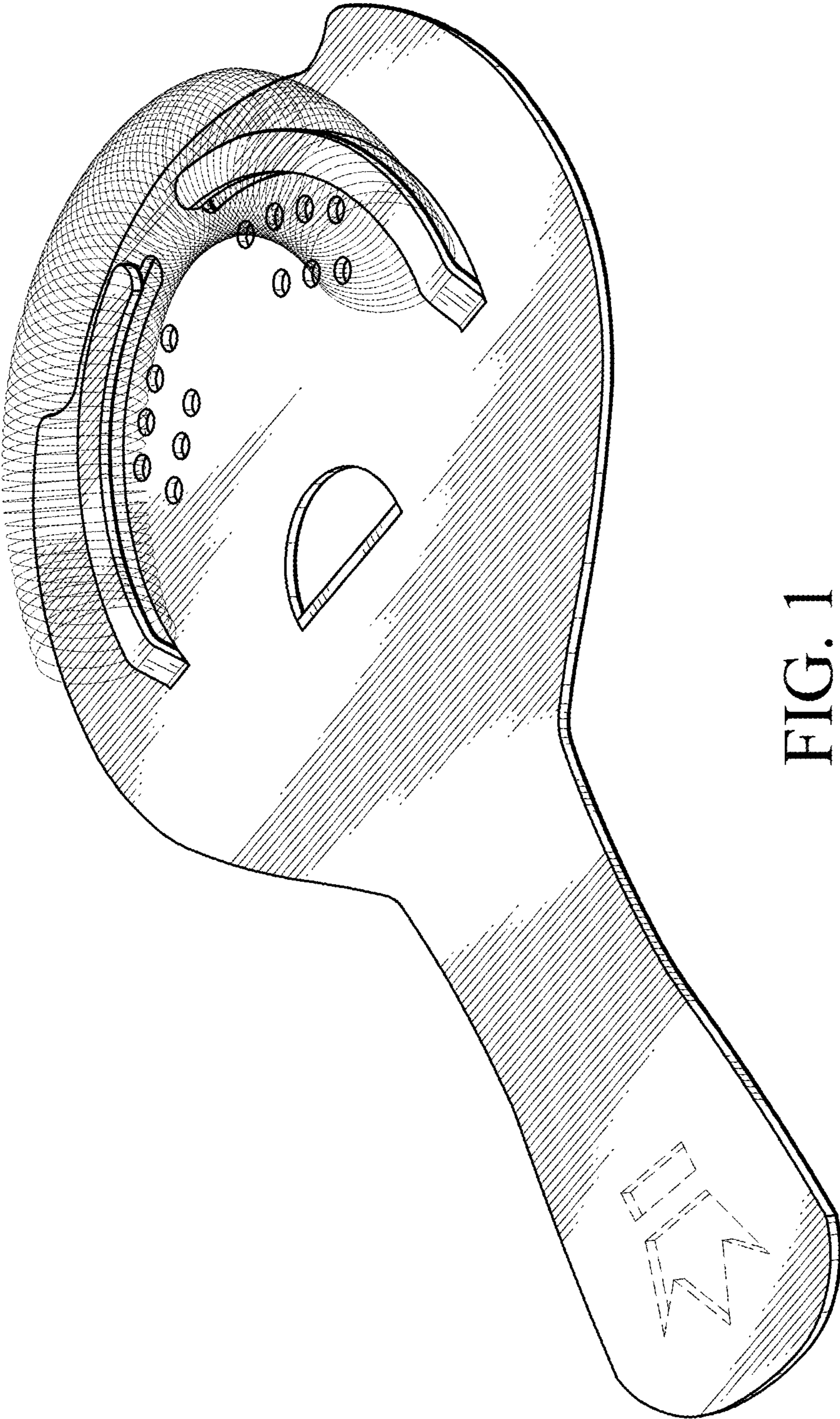


FIG. 1

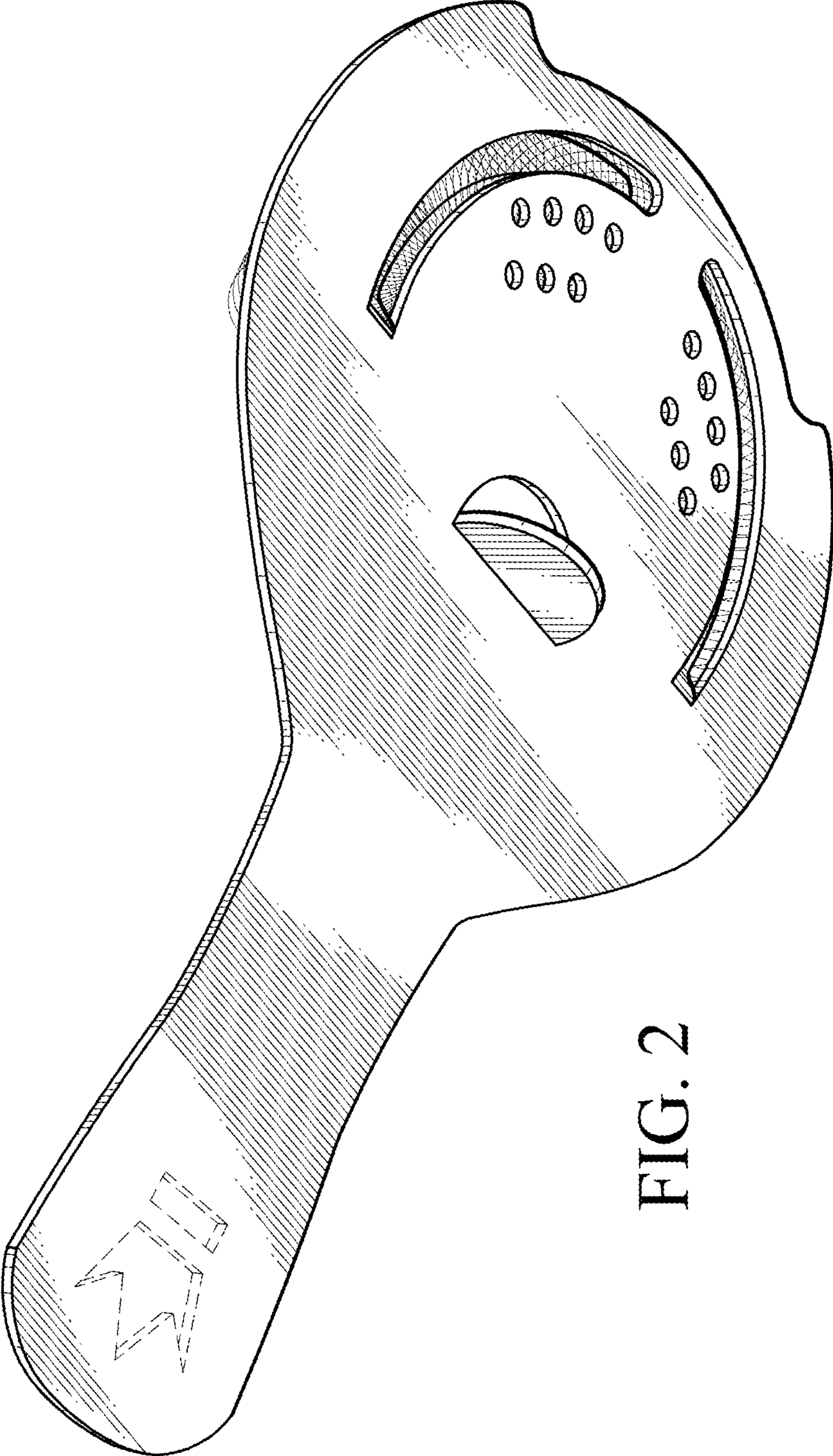


FIG. 2

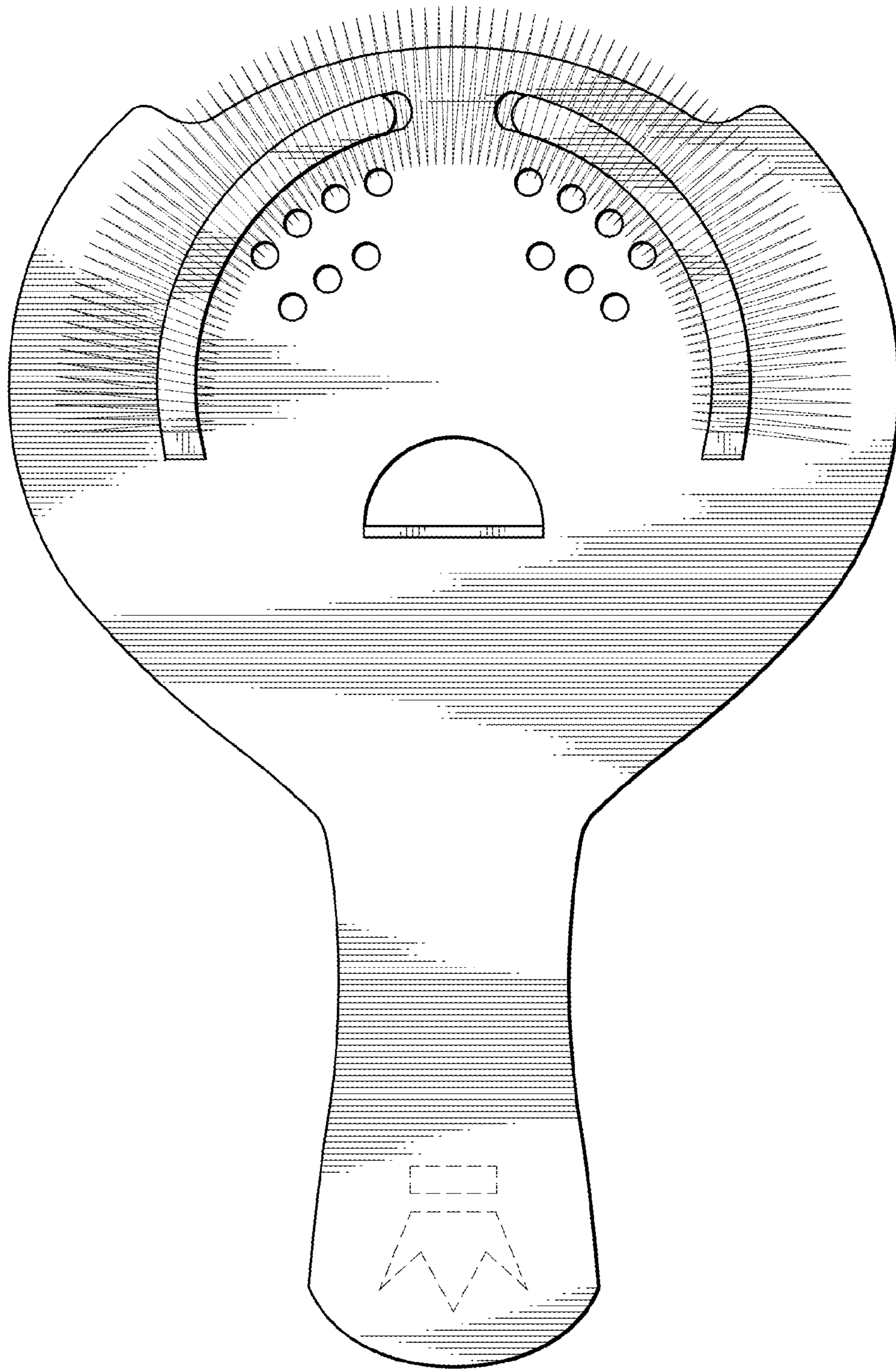


FIG. 3

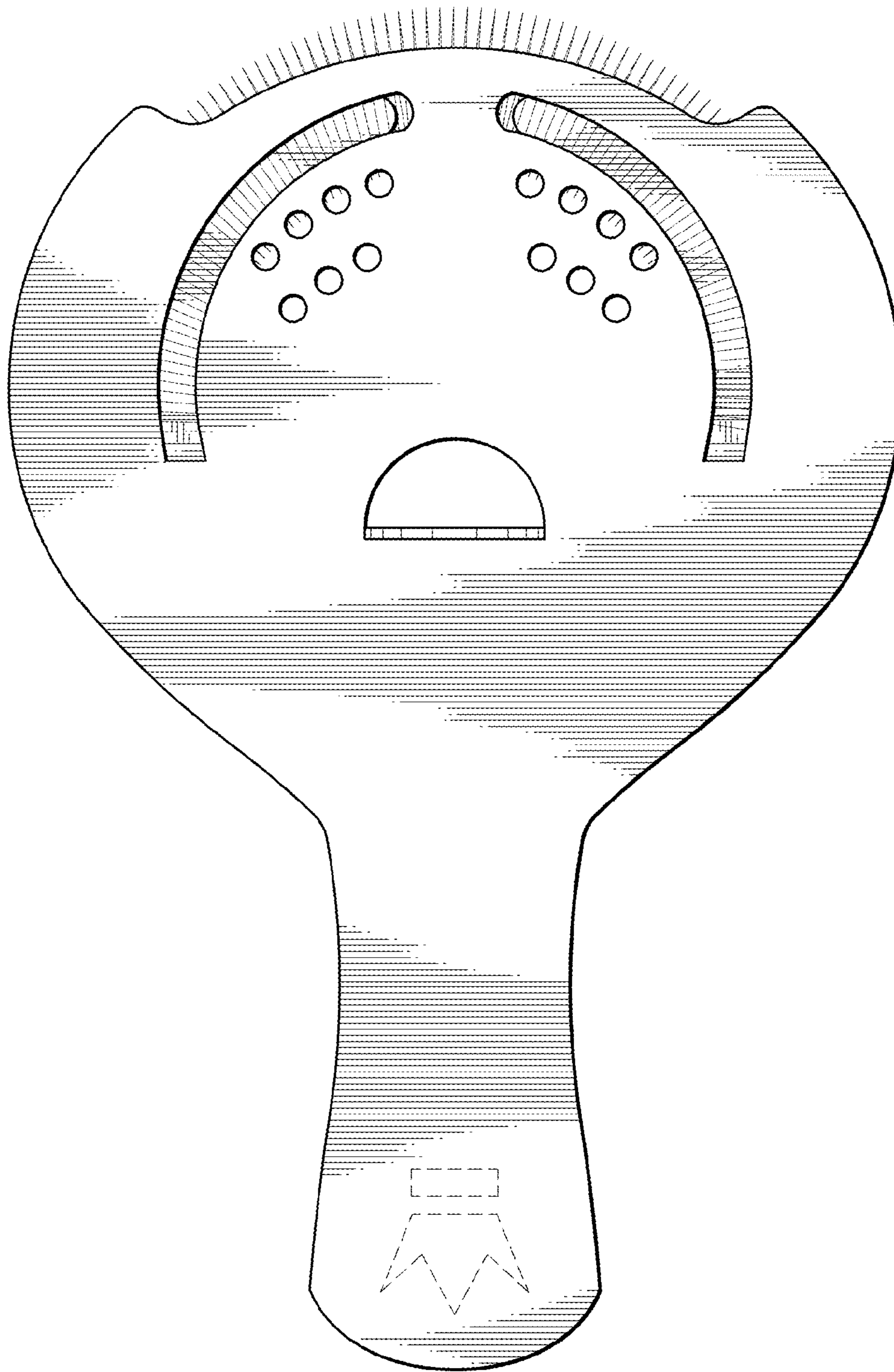


FIG. 4

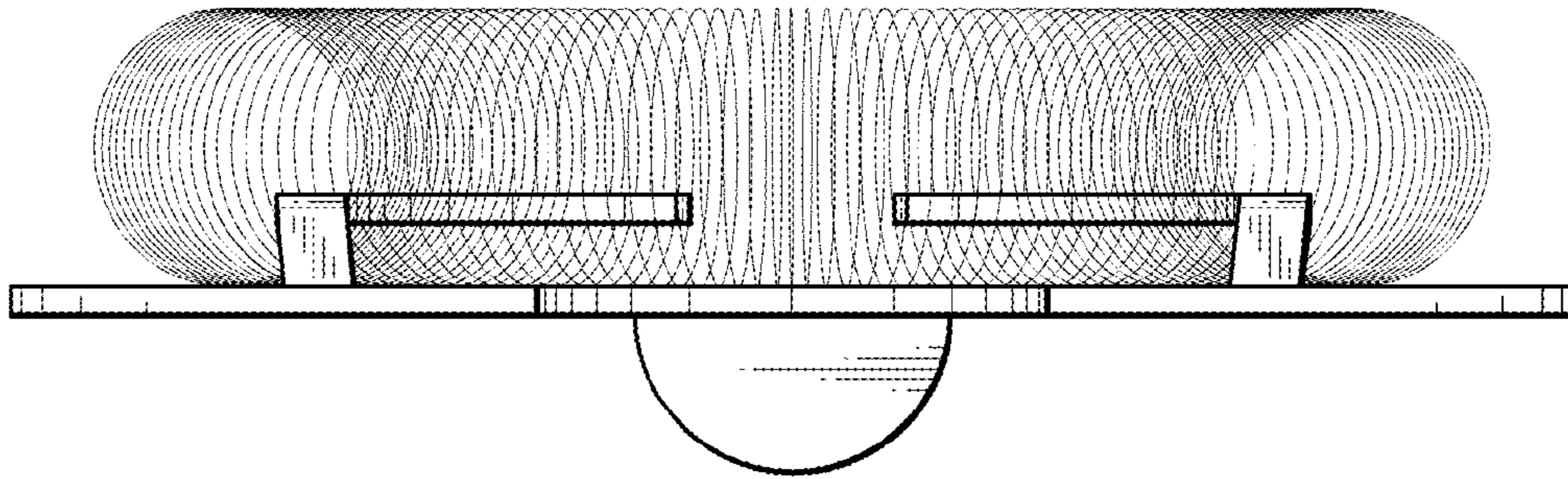


FIG. 5

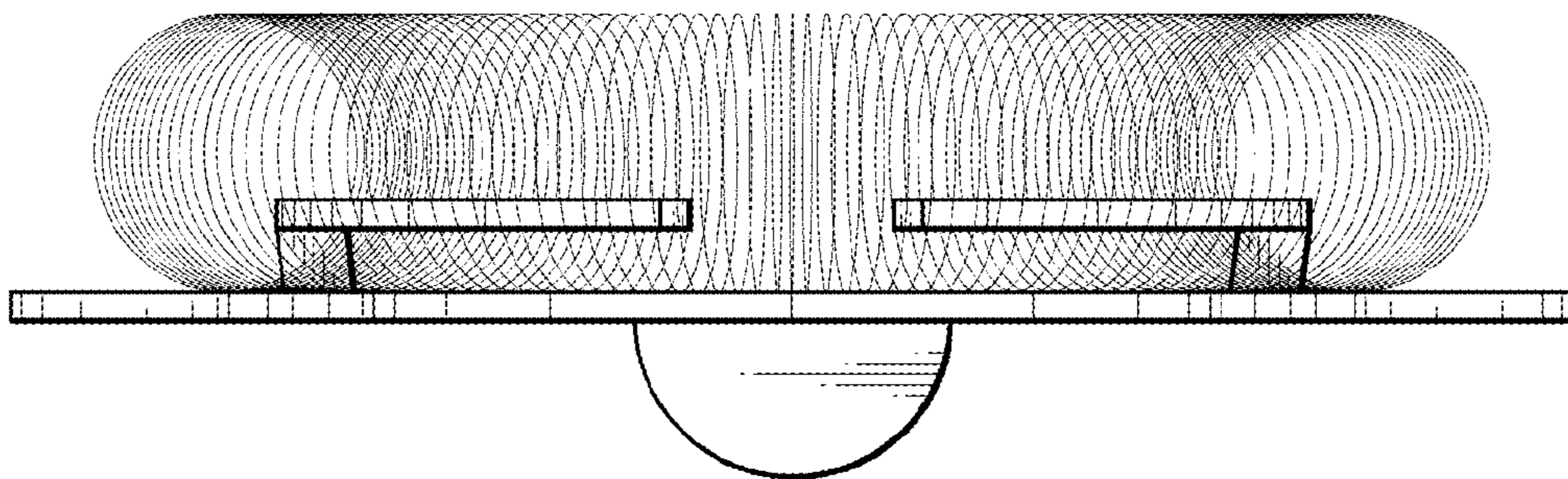


FIG. 6

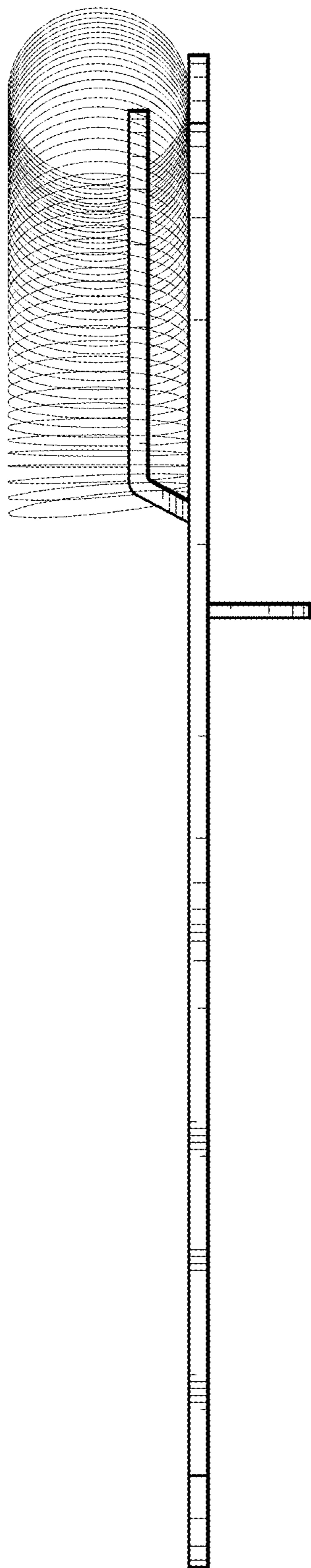


FIG. 7