



US00D733505S

(12) **United States Design Patent**  
**Choi**

(10) **Patent No.:** **US D733,505 S**

(45) **Date of Patent:** **\*\* Jul. 7, 2015**

(54) **JUICER MACHINE**

(71) Applicant: **Coway Co., Ltd.**, Gongju-si,  
Choongcheongnam-do (KR)

(72) Inventor: **Hun Jung Choi**, Goyang-si (KR)

(73) Assignee: **Coway Co., Ltd.**, Choongcheongnam-do  
(KR)

(\*\*) Term: **14 Years**

(21) Appl. No.: **29/459,618**

(22) Filed: **Jul. 2, 2013**

(30) **Foreign Application Priority Data**

Jan. 8, 2013 (KR) ..... 30-2013-0001165

(51) **LOC (10) Cl.** ..... **07-04**

(52) **U.S. Cl.**  
USPC ..... **D7/665**

(58) **Field of Classification Search**

USPC ..... D7/368, 665-667, 412, 376-386, 372,  
D7/373, 375, 374, 300, 304, 305, 309, 310,  
D7/311, 312, 313; 241/92, 101.1-101.73,  
241/285.1-285.3, 36, 37.5, 100, 282.1;  
99/501-513, 495, 499, 348, 357, 349,  
99/369, 370, 496-497, 279, 280, 284,  
99/290; 366/98, 142, 197-211, 241-254,  
366/279-292, 341-347, 64-67; 100/213,  
100/218, 283, 288, 208; 416/75, 70 R, 76,  
416/77

CPC ..... A47J 19/02; A47J 19/027; A47J 19/00;  
A47J 19/06; A47J 19/022; A47J 44/00;  
A47J 44/02; A47J 43/00; A47J 43/25; A47J  
43/046; A47J 43/0722; A47J 31/00; A47J  
31/005; A47J 31/02; A47J 31/04; A23N 1/02;  
A23N 1/00; A23N 1/003; A23N 1/006

See application file for complete search history.

(56) **References Cited**

U.S. PATENT DOCUMENTS

D241,404	S	*	9/1976	Mantelet	.....	D7/384
D256,766	S	*	9/1980	Amiot	.....	D7/384
D395,573	S	*	6/1998	Leverrier	.....	D7/381
6,748,853	B1	*	6/2004	Brady et al.	.....	99/492
D502,842	S	*	3/2005	Hallar	.....	D7/384
D521,813	S	*	5/2006	Piret	.....	D7/665
D528,873	S	*	9/2006	Hensel	.....	D7/665
D534,400	S	*	1/2007	Cohen et al.	.....	D7/665
7,673,824	B2	*	3/2010	Stamper et al.	.....	241/97
D641,214	S	*	7/2011	Choi	.....	D7/665
D643,265	S	*	8/2011	Kim et al.	.....	D7/665
D660,660	S	*	5/2012	Kim	.....	D7/666
D665,632	S	*	8/2012	Kim et al.	.....	D7/665
D666,880	S	*	9/2012	Ferraby	.....	D7/665
D670,138	S	*	11/2012	Hu	.....	D7/665
D684,827	S	*	6/2013	Kim	.....	D7/665
D698,210	S	*	1/2014	Lavy et al.	.....	D7/665
D700,477	S	*	3/2014	Kim	.....	D7/412

(Continued)

*Primary Examiner* — Ian Simmons

*Assistant Examiner* — Shannon Morgan

(74) *Attorney, Agent, or Firm* — Blank Rome LLP

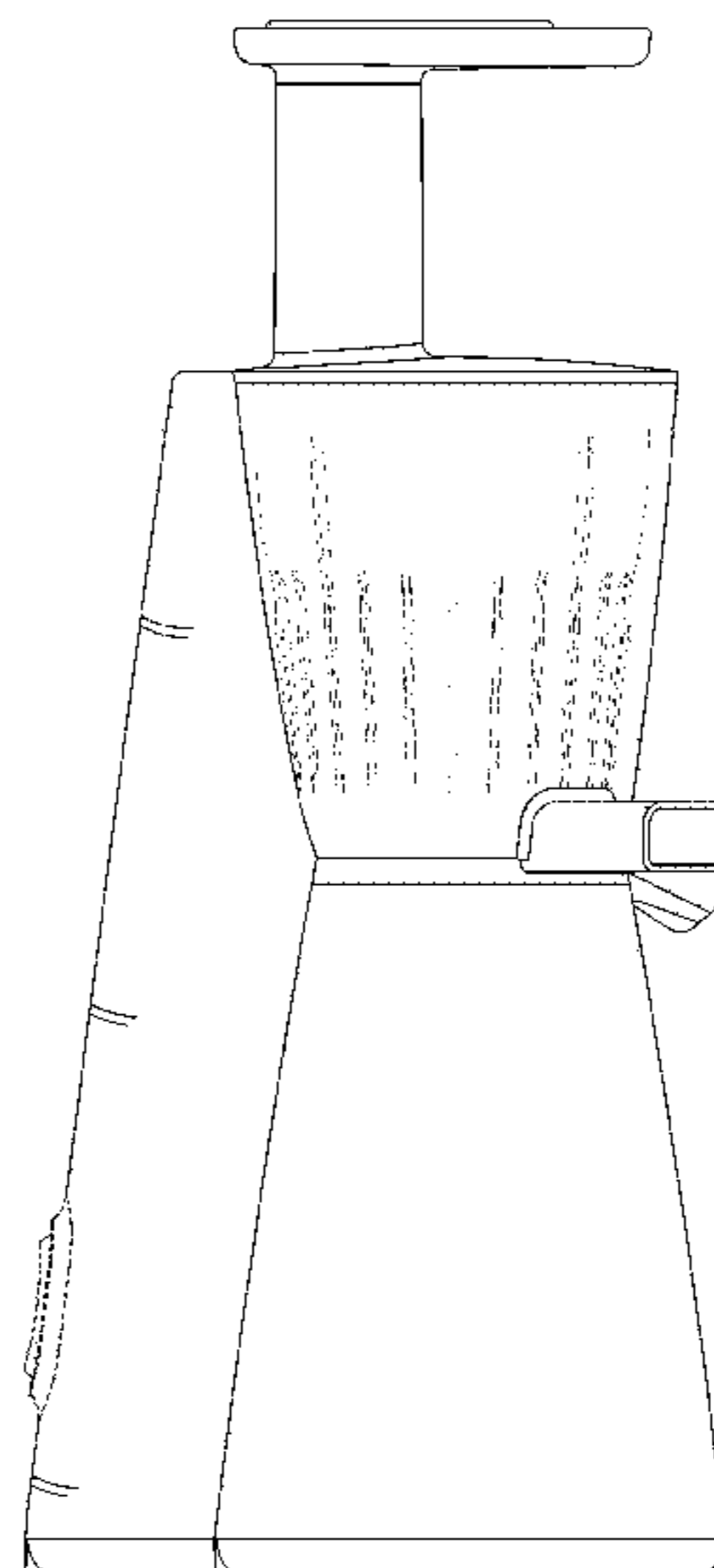
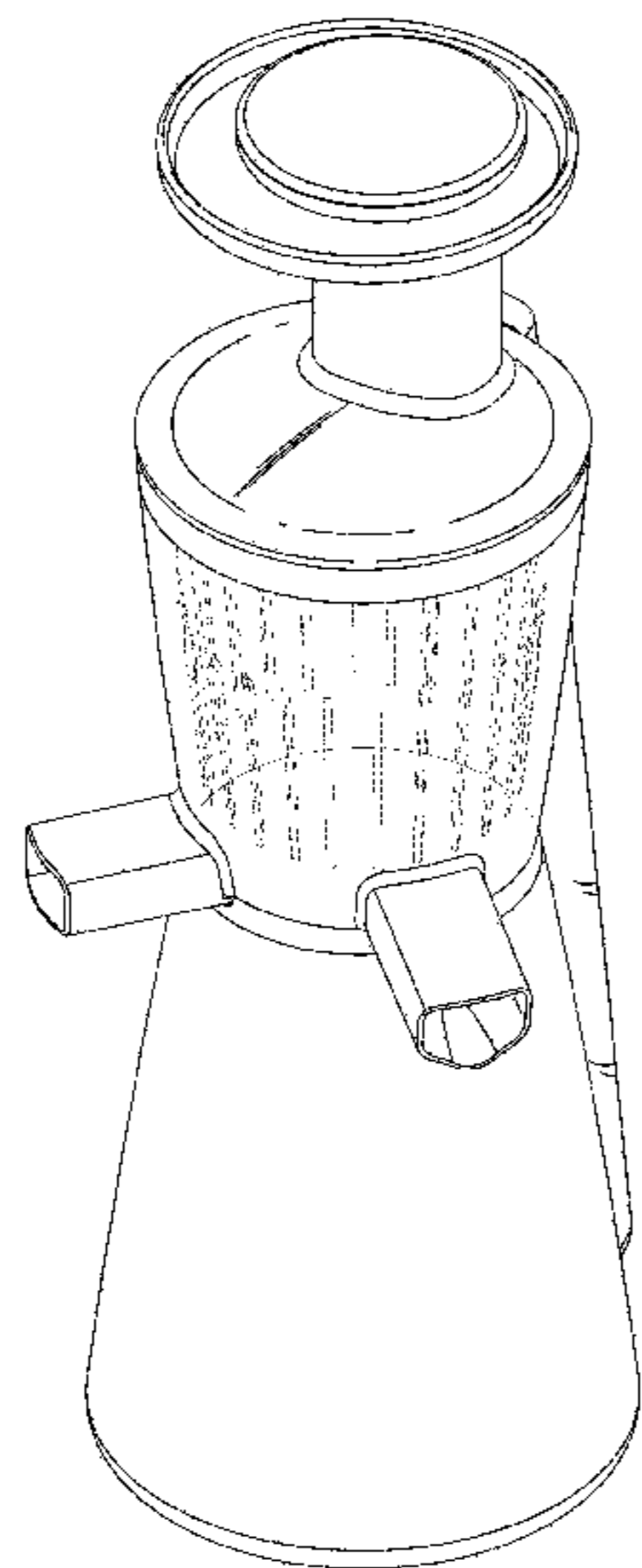
(57) **CLAIM**

The ornamental design for a juicer machine, as shown and described.

**DESCRIPTION**

FIG. 1 is a top, front, right perspective view showing my new design of a juicer machine;  
FIG. 2 is a front elevational view thereof;  
FIG. 3 is a rear elevational view thereof;  
FIG. 4 is a left side elevational view thereof;  
FIG. 5 is a right side elevational view thereof;  
FIG. 6 is an enlarged top plan view thereof; and,  
FIG. 7 is an enlarged bottom plan view thereof.  
The broken lines in FIGS. 1-7 represent portions of the juicer machine that form no part of the claimed design.

**1 Claim, 7 Drawing Sheets**



# US D733,505 S

Page 2

---

(56)

## References Cited

### U.S. PATENT DOCUMENTS

2013/0074708	A1*	3/2013	Asbury et al. ....	99/513	
2013/0081547	A1*	4/2013	Hu .....	99/495	
2013/0284034	A1*	10/2013	Jeong et al. ....	100/117	
2006/0027107	A1*	2/2006	Lin .....	99/511	
2012/0097051	A1*	4/2012	Brenna et al. ....	99/503	* cited by examiner

FIG. 1

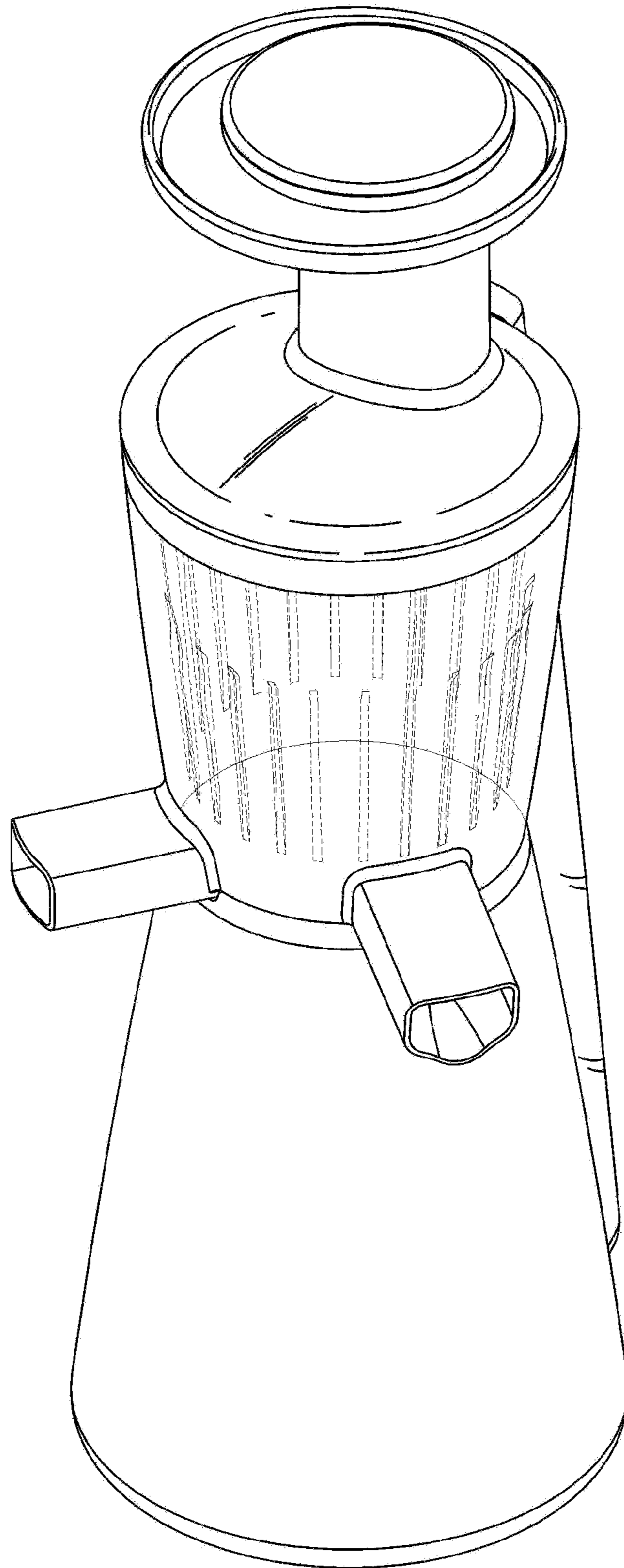


FIG. 2

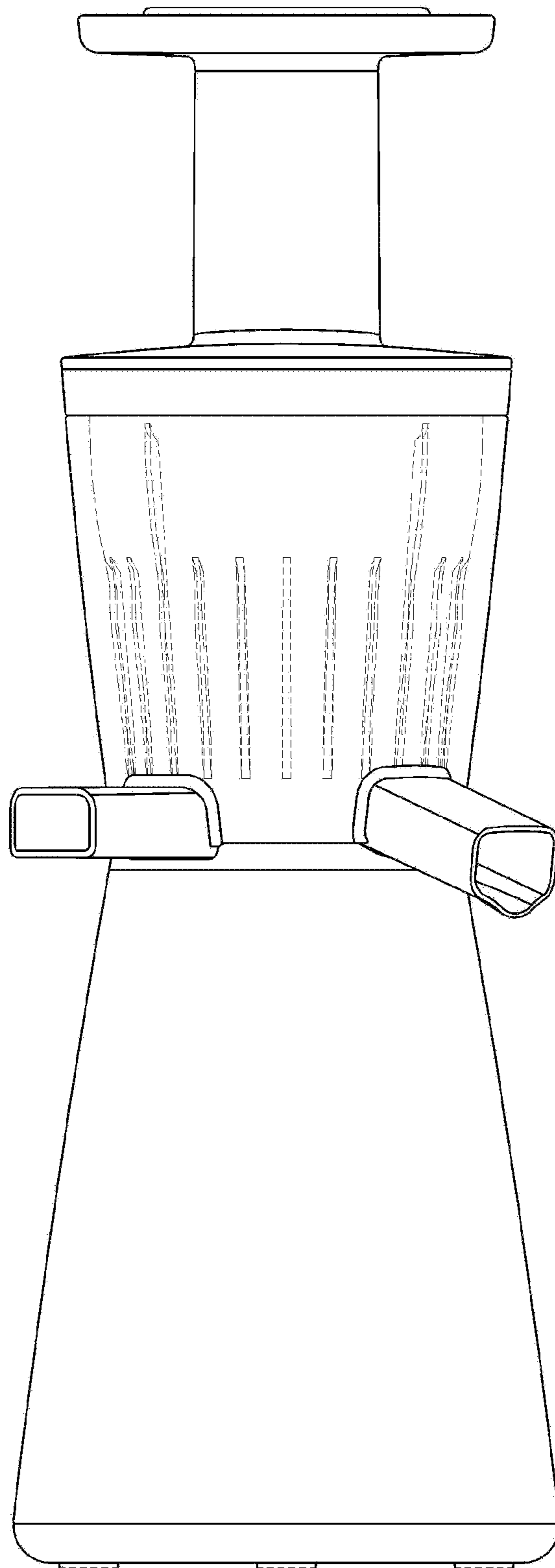


FIG. 3

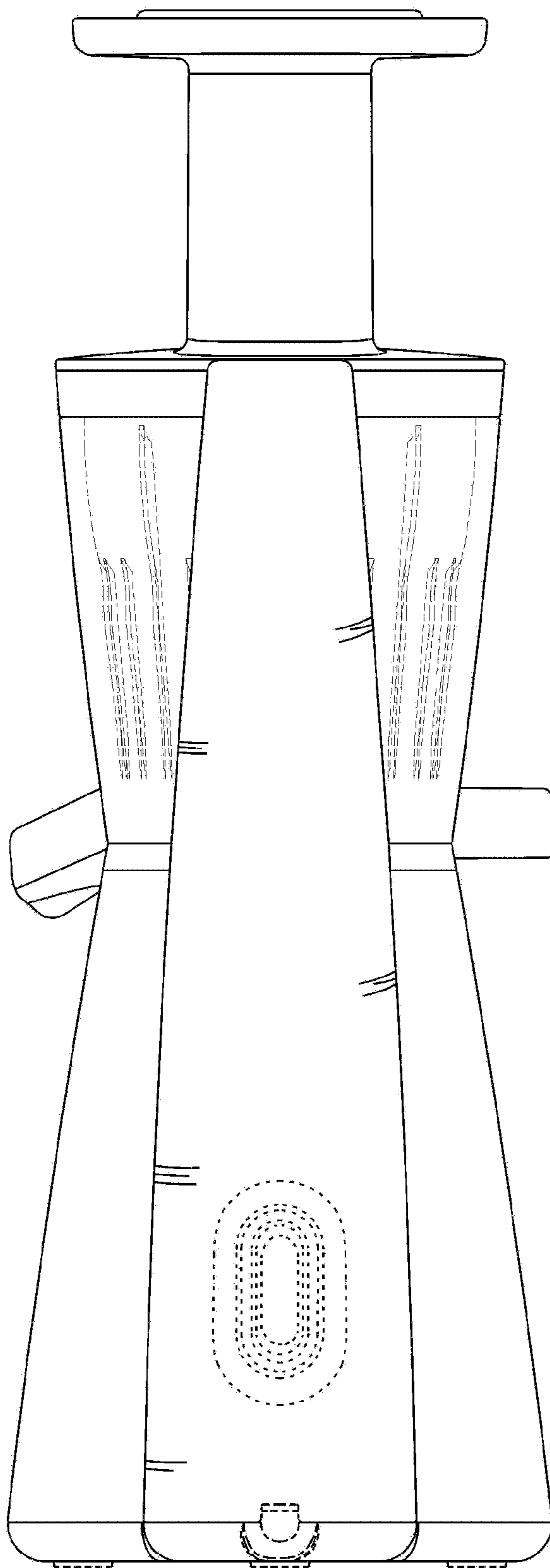


FIG. 4

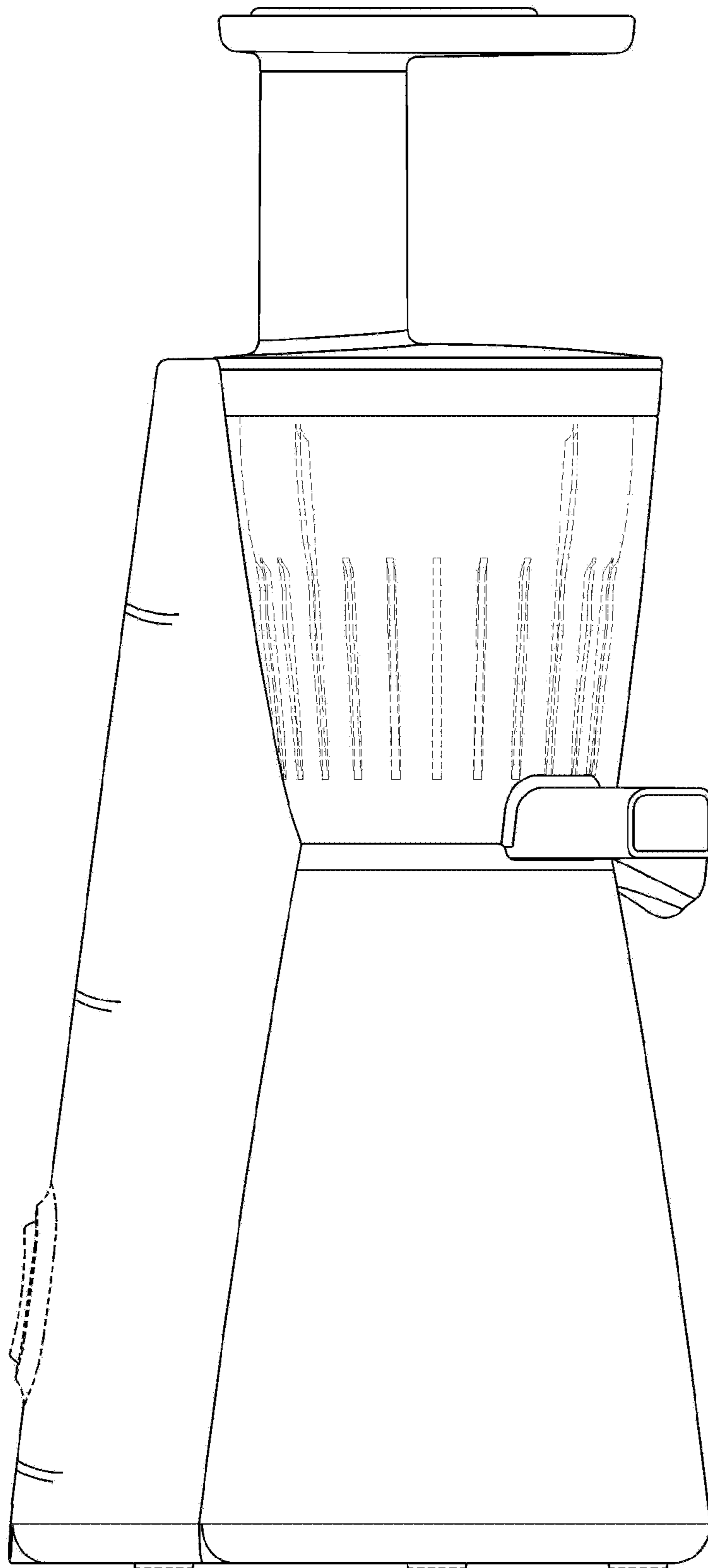


FIG. 5

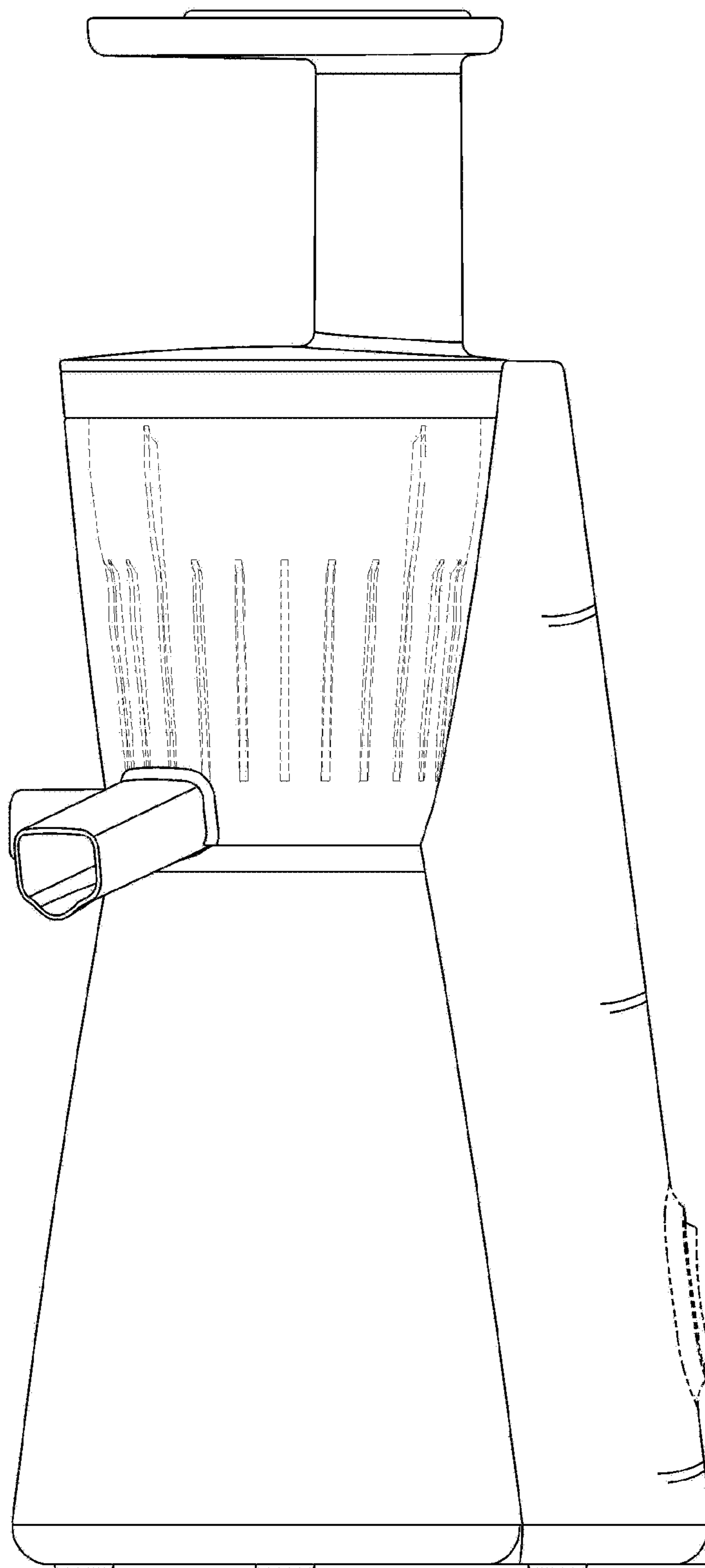


FIG. 6

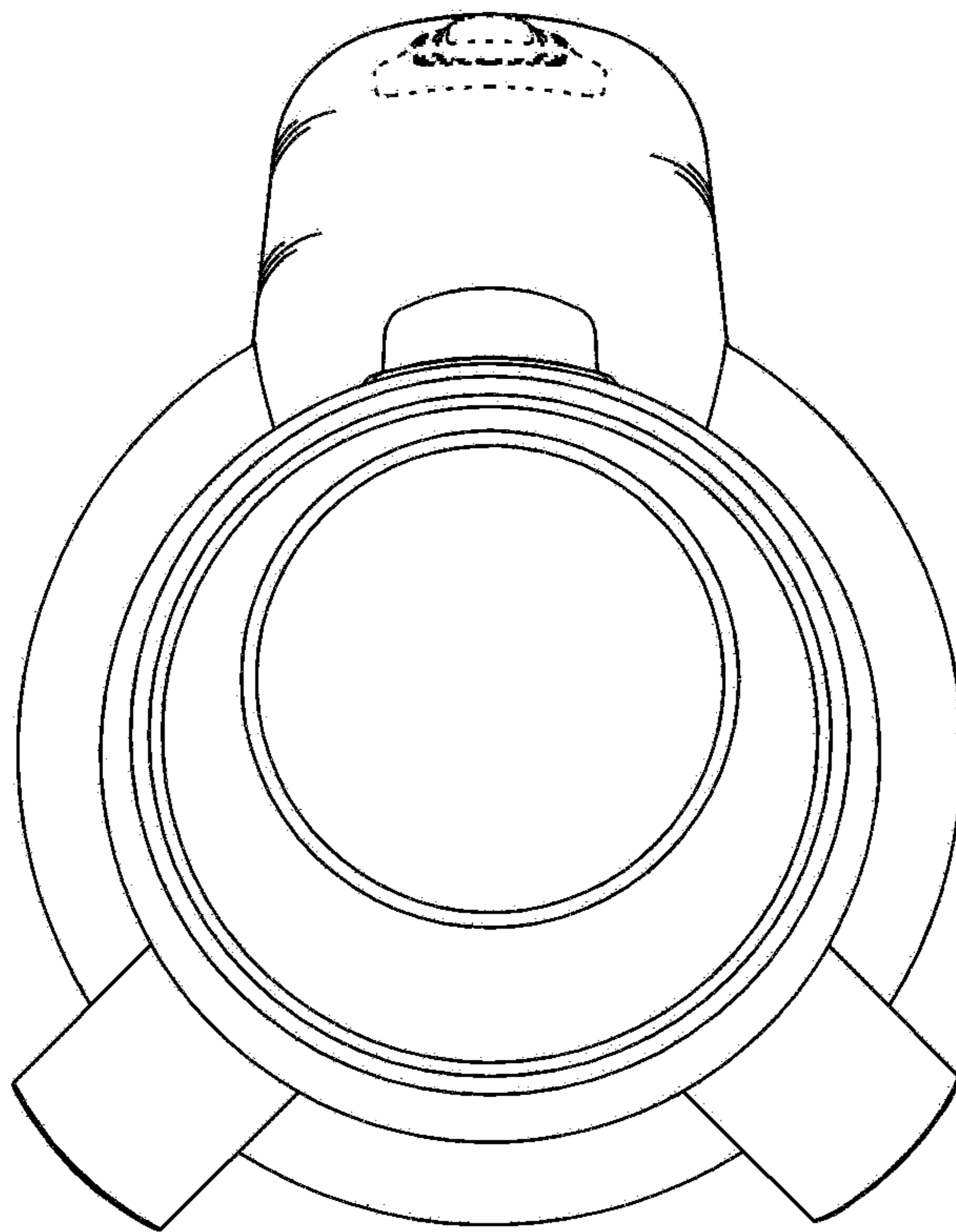




FIG. 7

