



US00D733504S

(12) **United States Design Patent**
Choi

(10) **Patent No.:** **US D733,504 S**
(45) **Date of Patent:** **** Jul. 7, 2015**

(54) **JUICER MACHINE**

(71) Applicant: **Coway Co., Ltd.**, Gongju-si
Choongcheongnam-do (KR)

(72) Inventor: **Hun Jung Choi**, Goyang-si (KR)

(73) Assignee: **Coway Co., Ltd.**, Choongcheongnam-do
(KR)

(**) Term: **14 Years**

(21) Appl. No.: **29/459,611**

(22) Filed: **Jul. 2, 2013**

(30) **Foreign Application Priority Data**

Jan. 8, 2013 (KR) 30-2013-0001149

(51) **LOC (10) Cl.** **07-04**

(52) **U.S. Cl.**
USPC **D7/665**

(58) **Field of Classification Search**

USPC D7/368, 665-667, 412, 376-386, 372,
D7/373, 375, 374, 300, 304, 305, 309, 310,
D7/311, 312, 313; 241/92, 101.1-101.73,
241/285.1-285.3, 36, 37.5, 100, 282.1;
99/501-513, 495, 499, 348, 357, 349,
99/369, 370, 496-497, 279, 280, 284,
99/290; 366/98, 142, 197-211, 241-254,
366/279-292, 341-347, 64-67; 100/213,
100/218, 283, 288, 208; 416/75, 70 R, 76,
416/77
CPC A47J 19/02; A47J 19/027; A47J 19/00;
A47J 19/06; A47J 19/022; A47J 44/00;
A47J 44/02; A47J 43/00; A47J 43/25; A47J
43/046; A47J 43/0722; A47J 31/00; A47J
31/005; A47J 31/02; A47J 31/04; A23N 1/02;
A23N 1/00; A23N 1/003; A23N 1/006
See application file for complete search history.

(56) **References Cited**

U.S. PATENT DOCUMENTS

D241,404 S *	9/1976	Mantelet	D7/384
D256,766 S *	9/1980	Amiot	D7/384
D395,573 S *	6/1998	Leverrier	D7/381
6,748,853 B1 *	6/2004	Brady et al.	99/492
D502,842 S *	3/2005	Hallar	D7/384
D521,813 S *	5/2006	Piret	D7/665
D528,873 S *	9/2006	Hensel	D7/665
D534,400 S *	1/2007	Cohen et al.	D7/665
7,673,824 B2 *	3/2010	Stamper et al.	241/97
D641,214 S *	7/2011	Choi	D7/665
D643,265 S *	8/2011	Kim et al.	D7/665
D660,660 S *	5/2012	Kim	D7/666
D665,632 S *	8/2012	Kim et al.	D7/665
D666,880 S *	9/2012	Ferraby	D7/665
D670,138 S *	11/2012	Hu	D7/665
D684,827 S *	6/2013	Kim	D7/665
D698,210 S *	1/2014	Lavy et al.	D7/665
D700,477 S *	3/2014	Kim	D7/412

(Continued)

Primary Examiner — Ian Simmons

Assistant Examiner — Shannon Morgan

(74) *Attorney, Agent, or Firm* — Blank Rome LLP

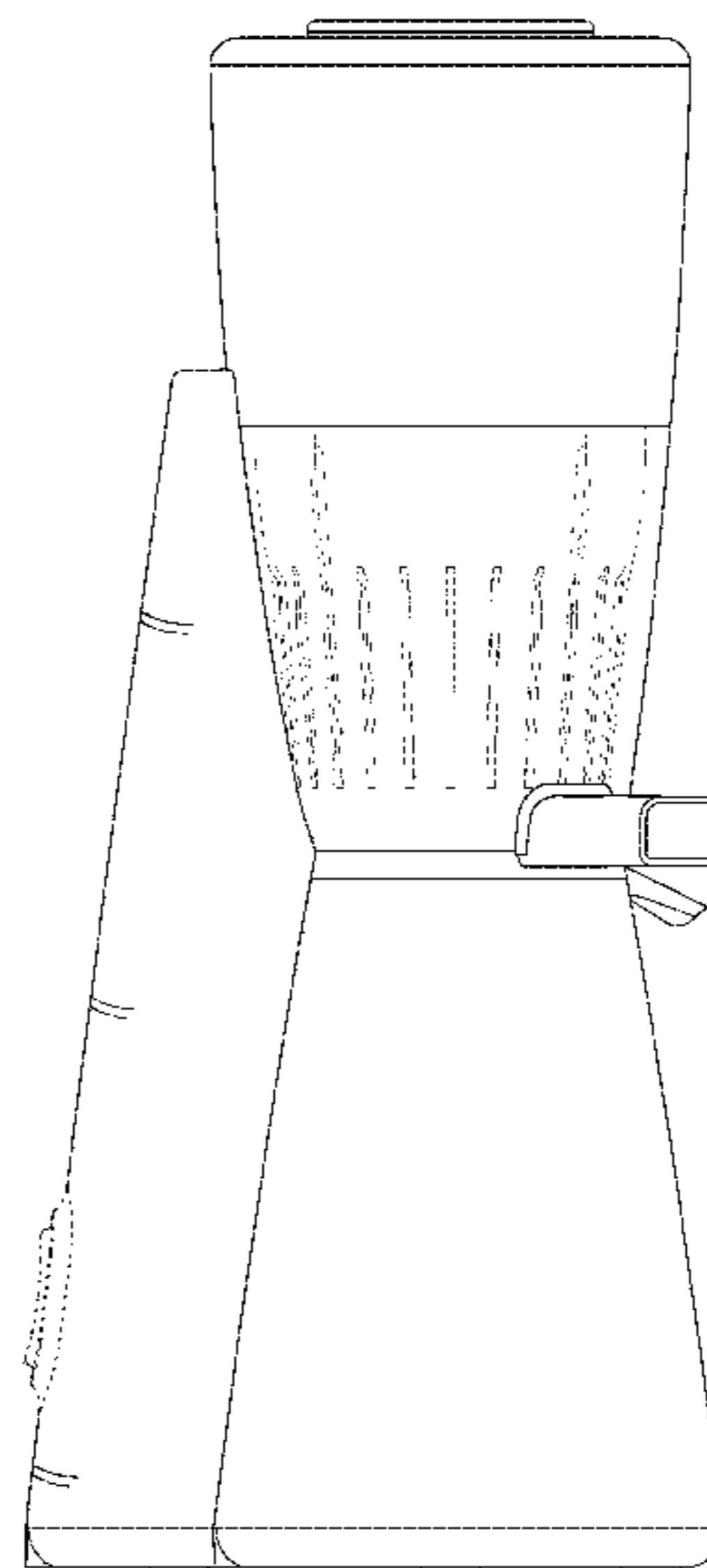
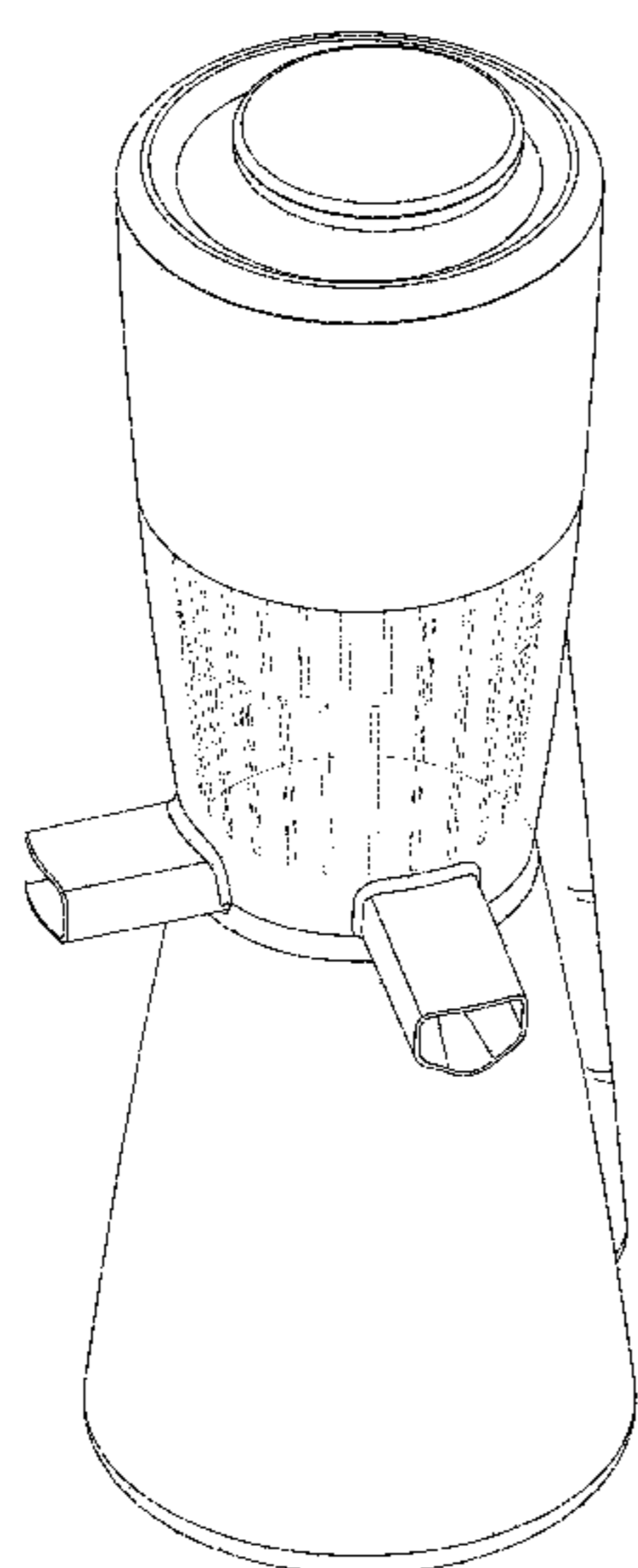
(57) **CLAIM**

The ornamental design for a juicer machine, as shown and described.

DESCRIPTION

FIG. 1 is a top, front, right perspective view showing my new design of a juicer machine;
FIG. 2 is a front elevational view thereof;
FIG. 3 is a rear elevational view thereof;
FIG. 4 is a left side elevational view thereof;
FIG. 5 is a right side elevational view thereof;
FIG. 6 is an enlarged top plan view thereof; and,
FIG. 7 is an enlarged bottom plan view thereof.
The broken lines in FIGS. 1-7 represent portions of the juicer machine that form no part of the claimed design.

1 Claim, 7 Drawing Sheets



US D733,504 S

Page 2

(56)

References Cited

U.S. PATENT DOCUMENTS

2013/0074708	A1*	3/2013	Asbury et al.	99/513	
2013/0081547	A1*	4/2013	Hu	99/495	
2013/0284034	A1*	10/2013	Jeong et al.	100/117	
2006/0027107	A1*	2/2006	Lin	99/511	
2012/0097051	A1*	4/2012	Brenna et al.	99/503	* cited by examiner

FIG. 1

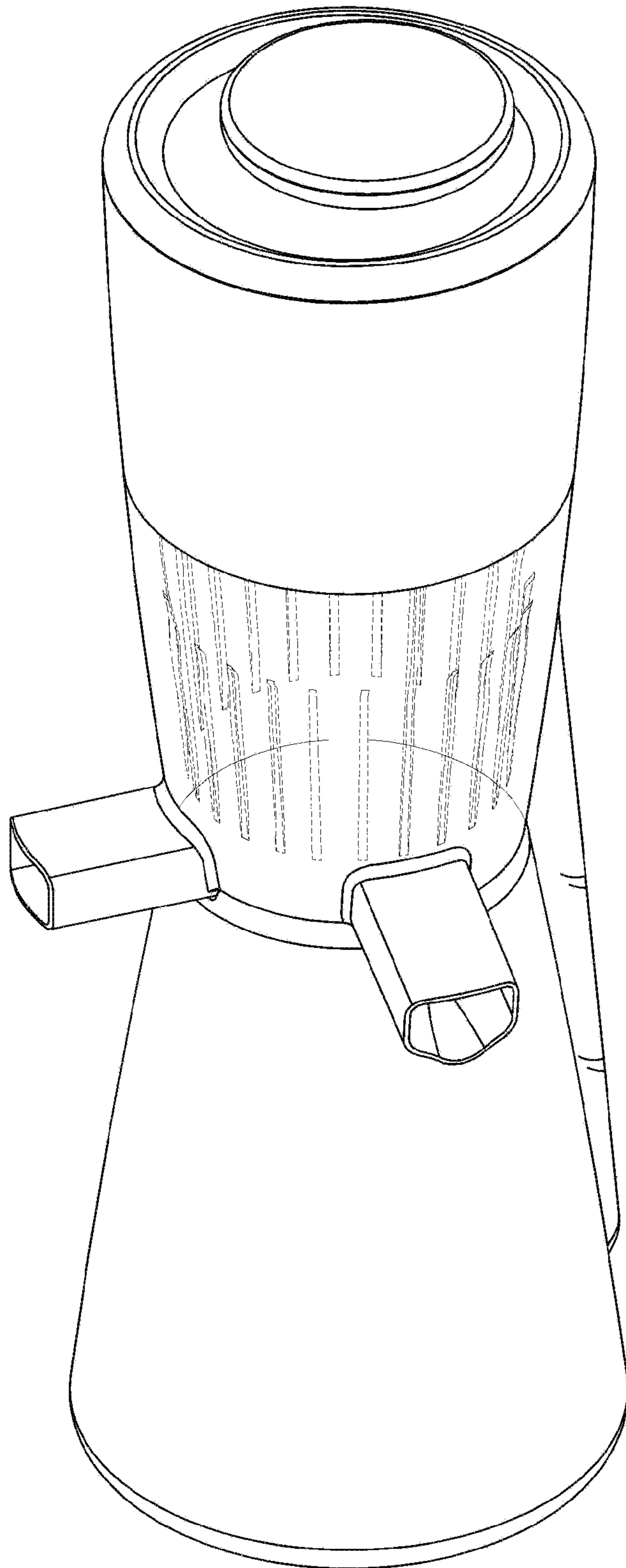


FIG. 2

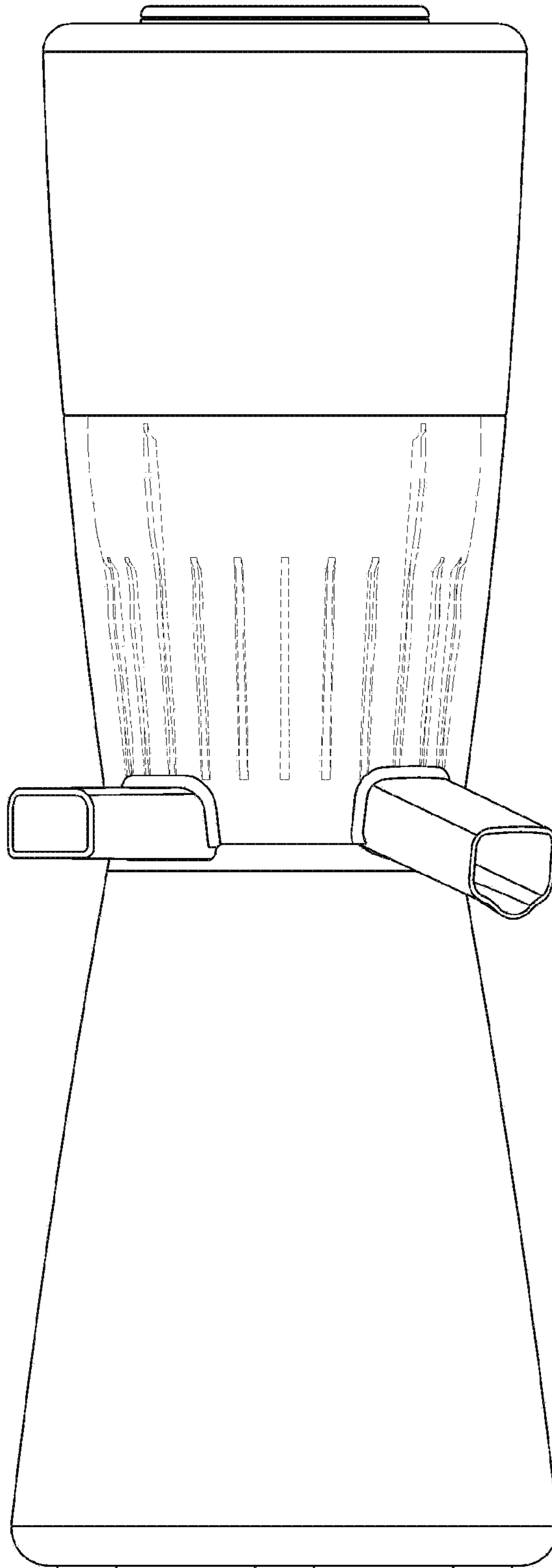


FIG. 3

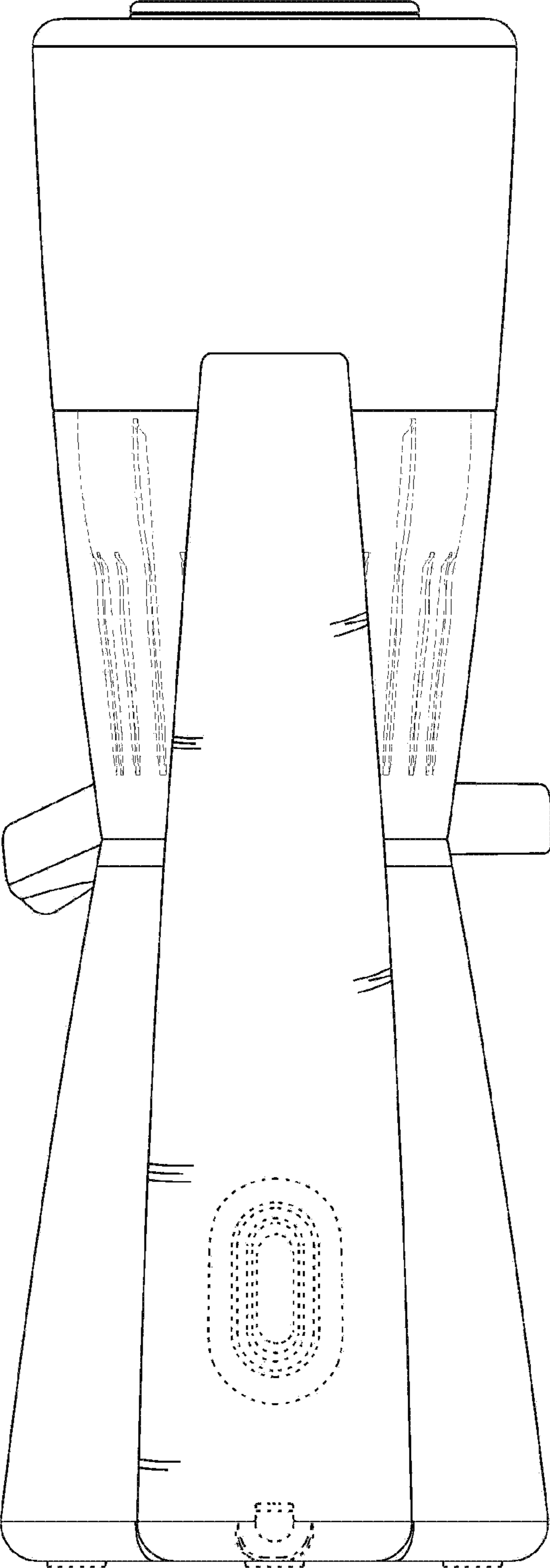


FIG. 4

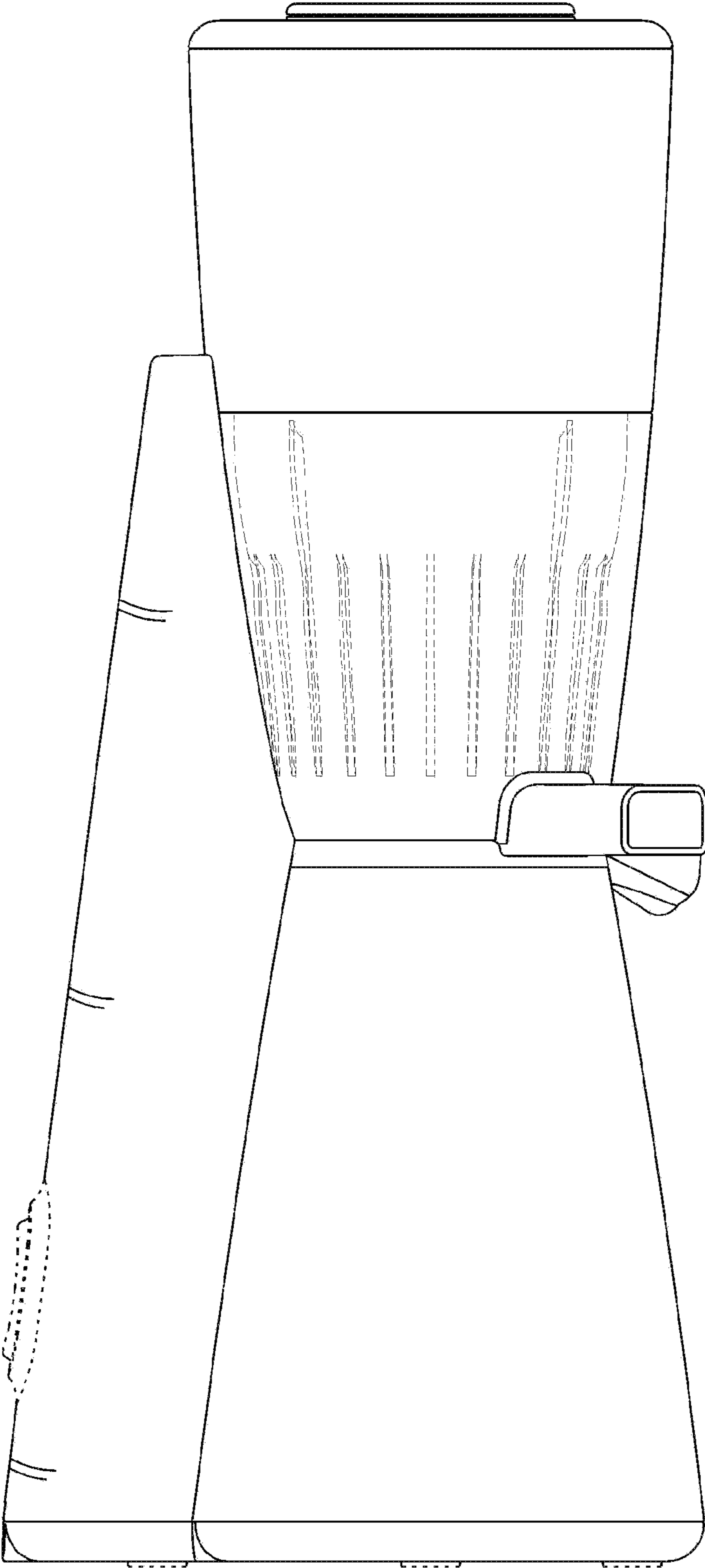


FIG. 5

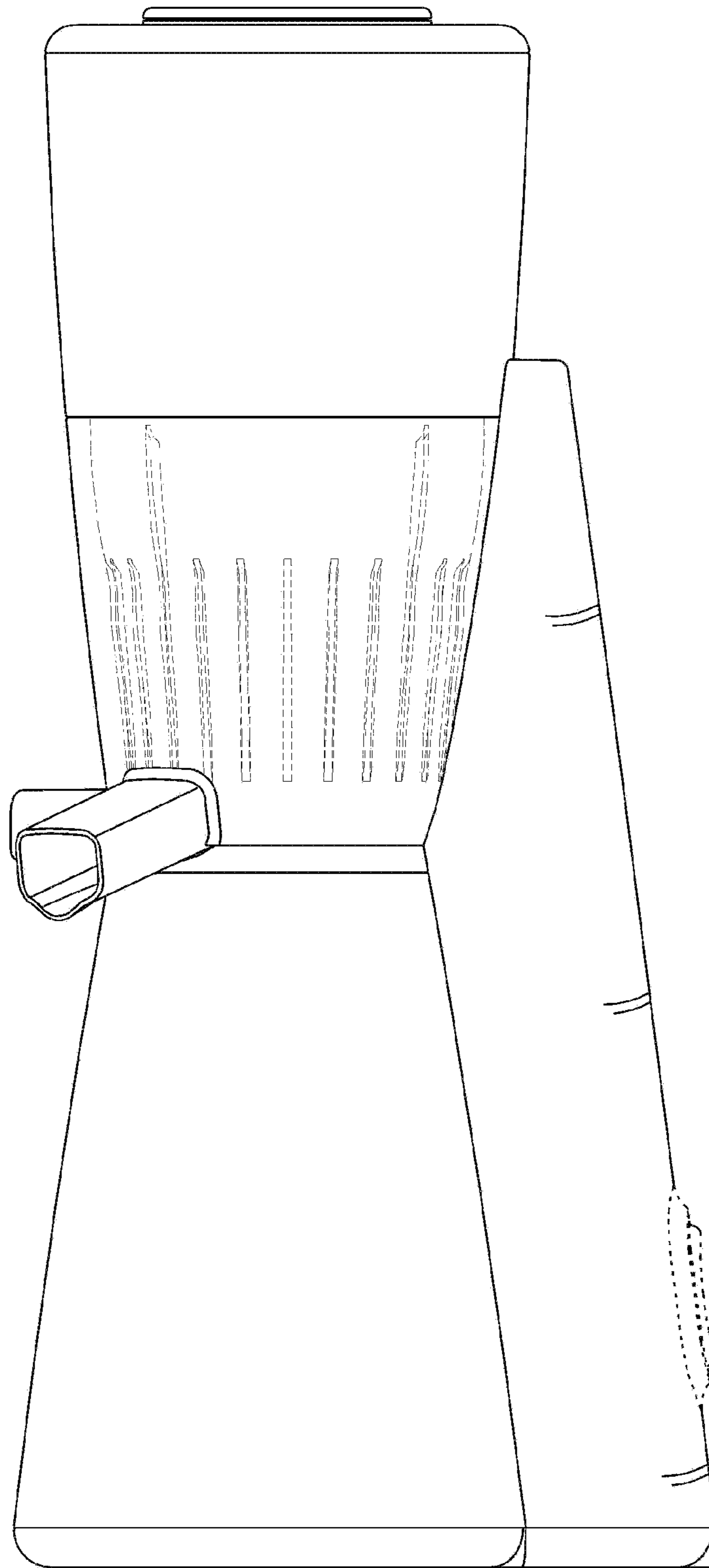


FIG. 6

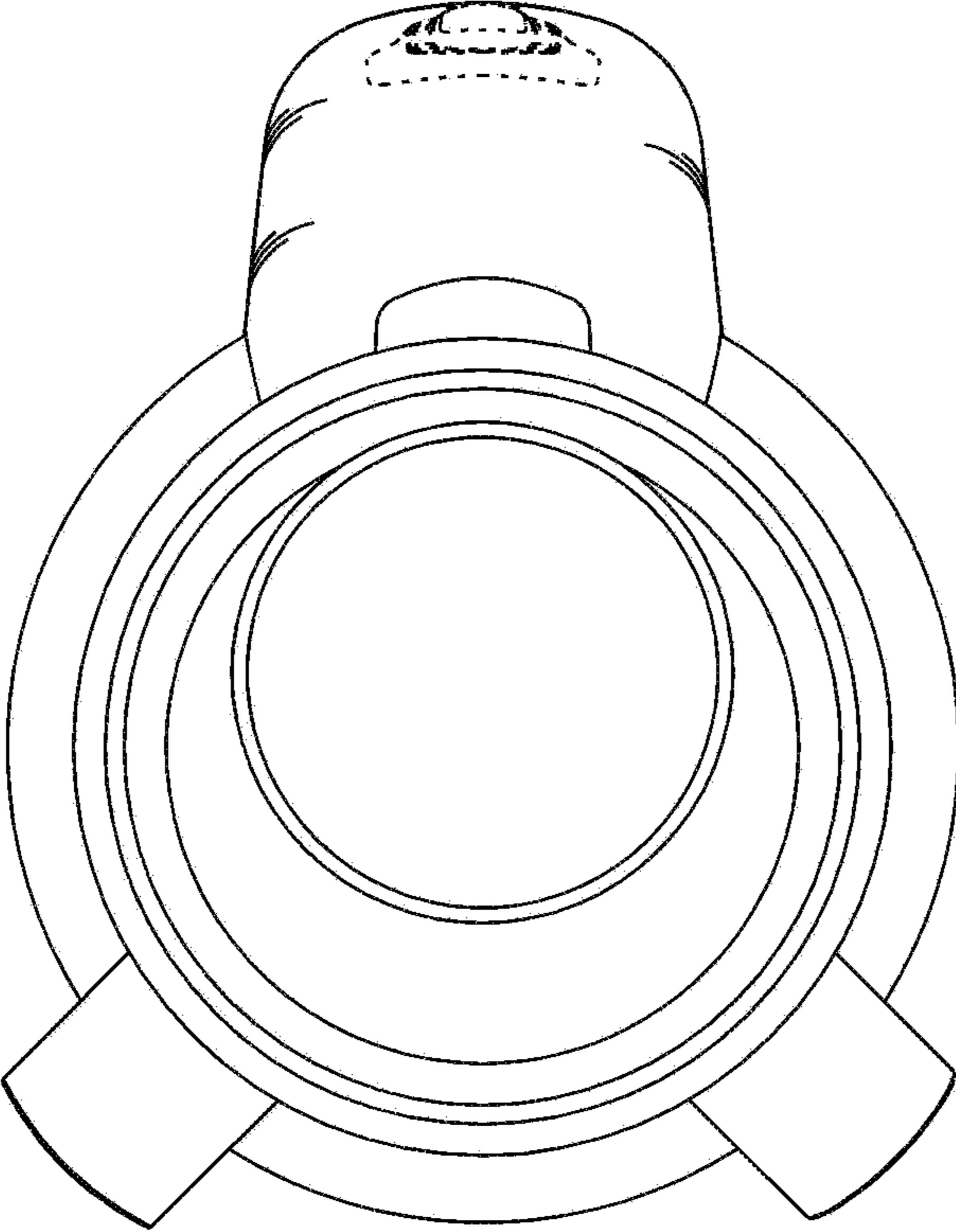


FIG. 7

