



US00D733502S

(12) **United States Design Patent**  
**Hill**

(10) **Patent No.:** **US D733,502 S**

(45) **Date of Patent:** **\*\* Jul. 7, 2015**

(54) **COMBINED CAKE SHIELD AND CANDLE SUPPORT**

(71) Applicant: **Angela D. Hill**, Tampa, FL (US)

(72) Inventor: **Angela D. Hill**, Tampa, FL (US)

(\*\*) Term: **14 Years**

(21) Appl. No.: **29/485,129**

(22) Filed: **Mar. 17, 2014**

**Related U.S. Application Data**

(63) Continuation-in-part of application No. 14/172,999, filed on Feb. 5, 2014.

(51) **LOC (10) Cl.** ..... **07-06**

(52) **U.S. Cl.**  
USPC ..... **D7/610**

(58) **Field of Classification Search**  
USPC ..... D7/610; D26/10; 428/7; 431/253, 295, 431/291, 297, 288, 293, 296; D6/685, 686, D6/688.14, 688.15, 688.16, 688.18, 688.2, D6/688.22, 688.23  
CPC ..... A47G 19/26; A47G 2400/061; F21W 2121/002; F21V 35/00

See application file for complete search history.

(56) **References Cited**

U.S. PATENT DOCUMENTS

2,811,030	A	10/1957	Tannahill	
2,960,770	A *	11/1960	Valenta	428/7
4,884,966	A *	12/1989	Wexler	431/295
4,938,688	A *	7/1990	Wexler	431/295
D446,083	S *	8/2001	Marsh et al.	D7/610
D523,704	S *	6/2006	DiBiasi	D7/610
D627,190	S *	11/2010	Fain	D7/368
8,668,088	B2 *	3/2014	Donnelly	206/457
2003/0136277	A1	7/2003	Okros	
2004/0224271	A1	11/2004	Langsam	
2009/0181335	A1	7/2009	Tropeano	

\* cited by examiner

*Primary Examiner* — Terry Wallace

(74) *Attorney, Agent, or Firm* — Daniel Boudwin; Global Intellectual Property Agency LLC

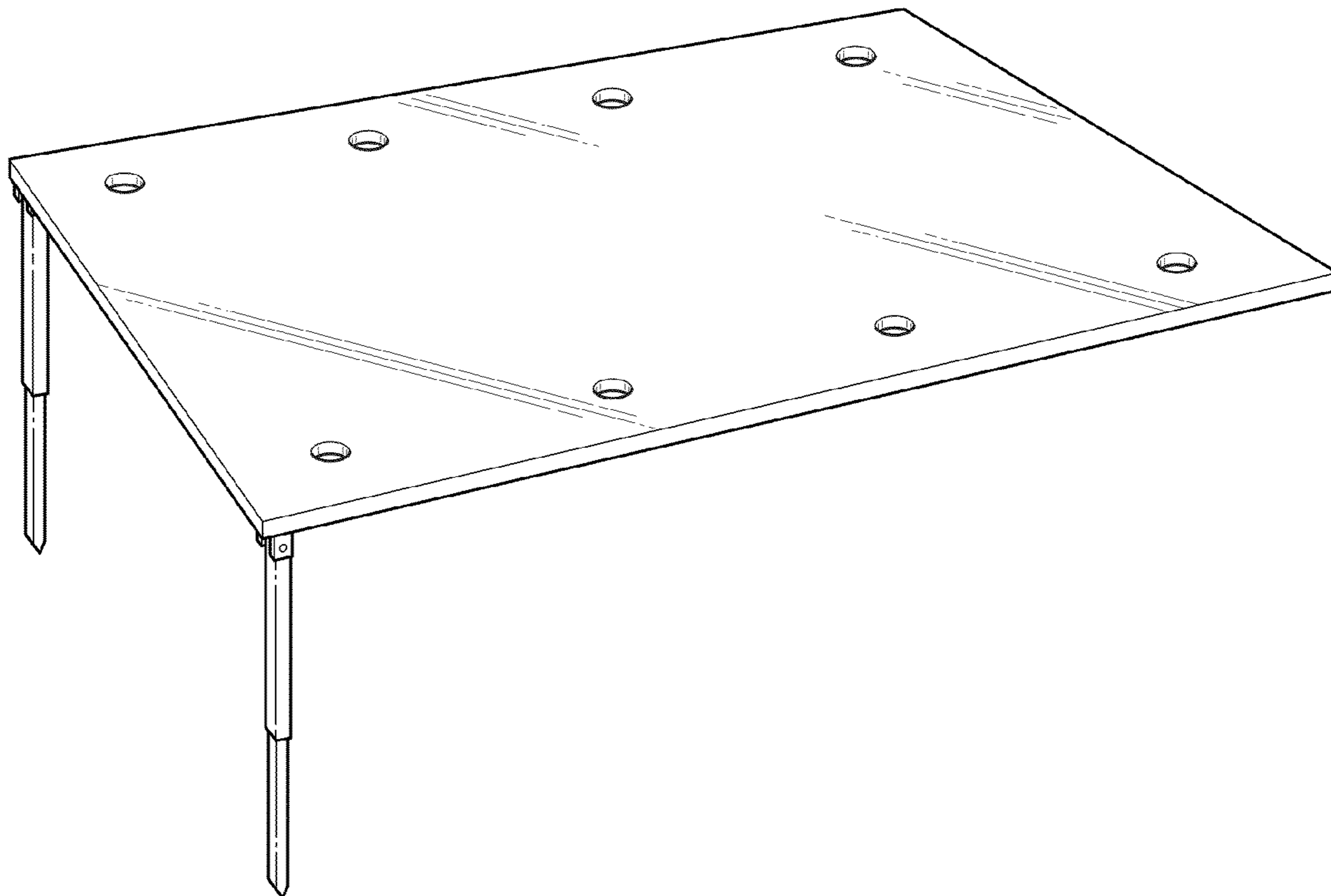
(57) **CLAIM**

The ornamental design for a combined cake shield and candle support, as shown and described.

**DESCRIPTION**

FIG. 1 is a top perspective view of the combined cake shield and candle support of the present invention.  
FIG. 2 is a front side elevation view thereof, the rear side being a mirror image thereof.  
FIG. 3 is a top view thereof.  
FIG. 4 is a bottom view thereof.  
FIG. 5 is a right side view thereof; and,  
FIG. 6 is a left side view thereof.

**1 Claim, 4 Drawing Sheets**



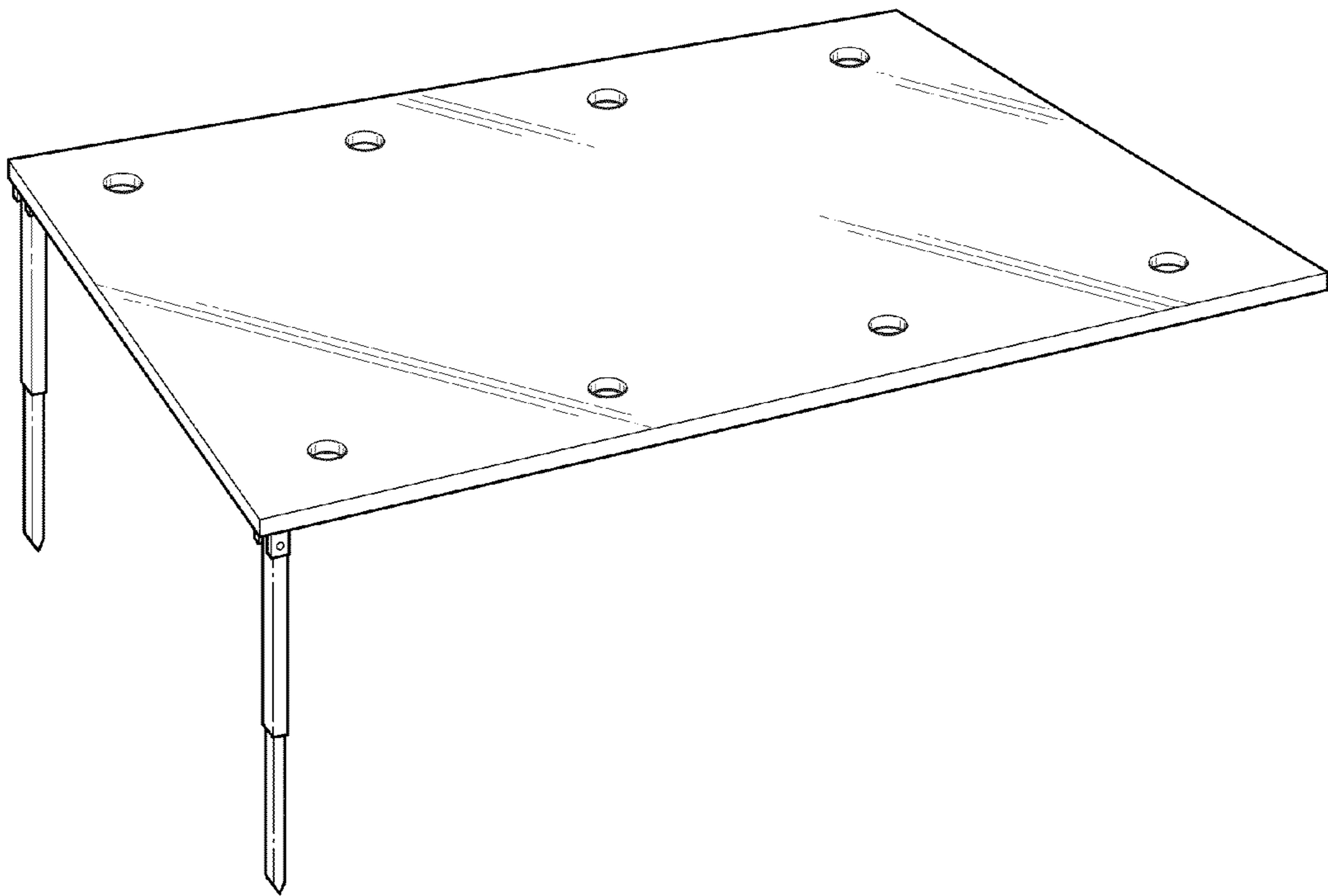


FIG. 1

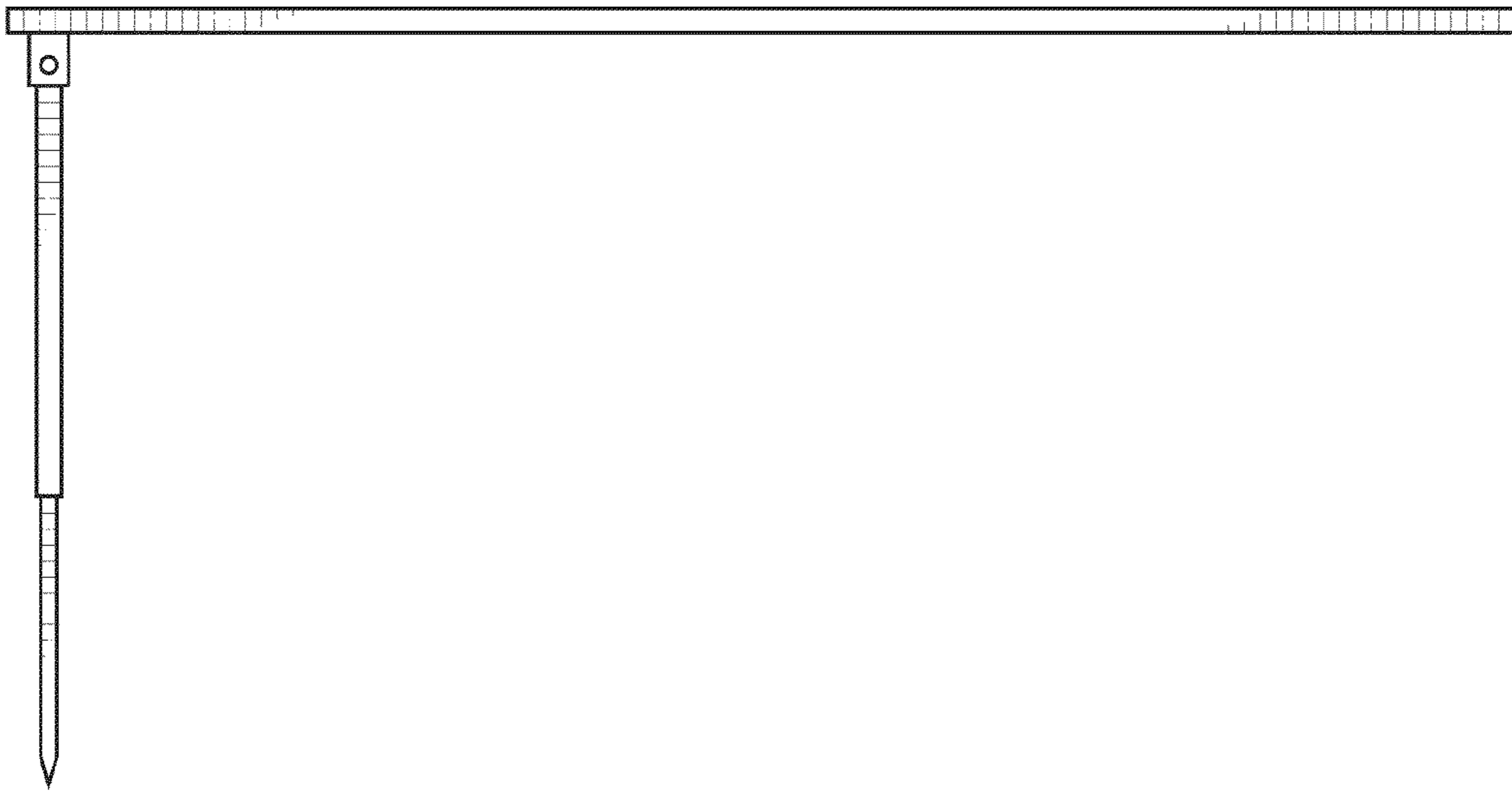


FIG. 2

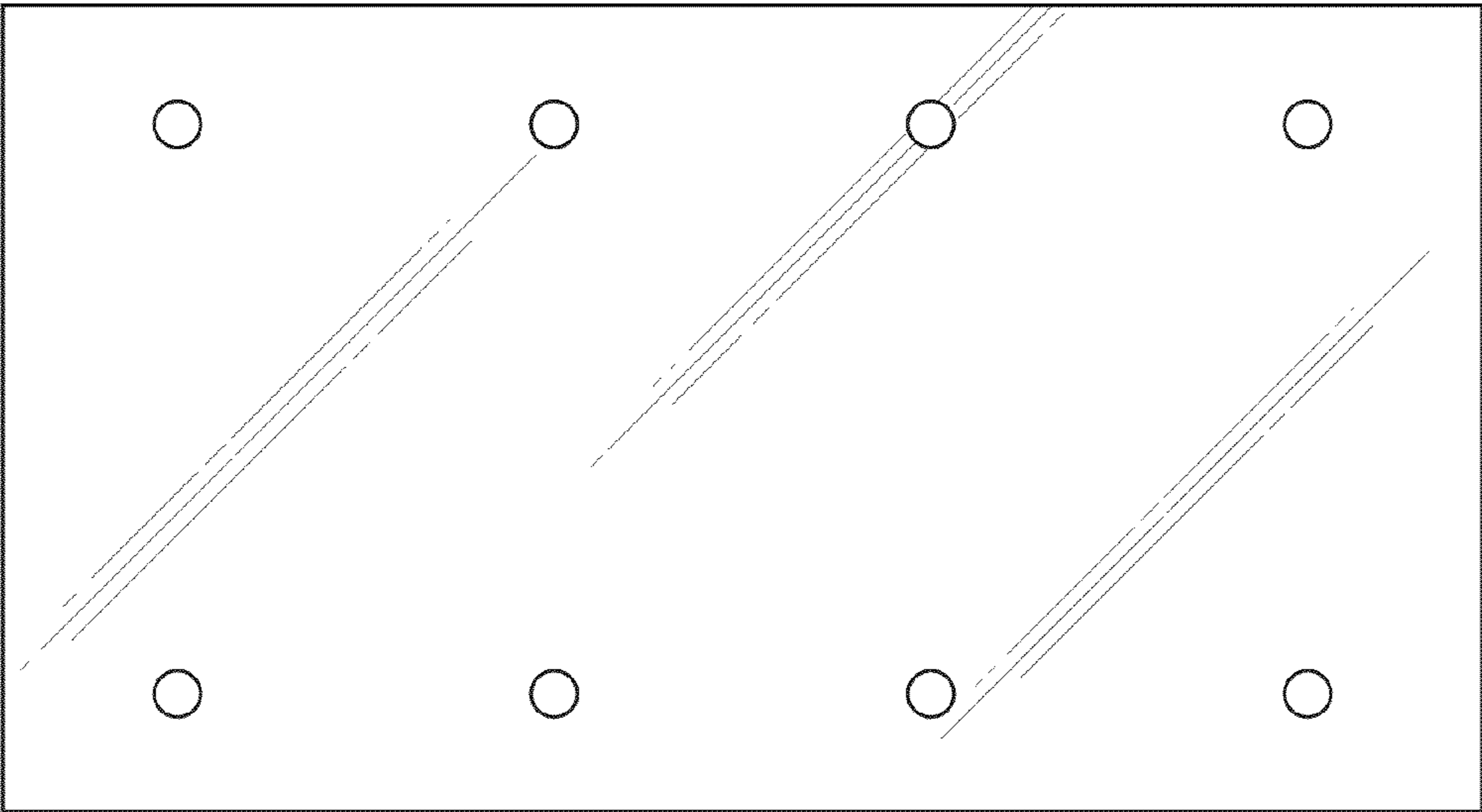


FIG. 3

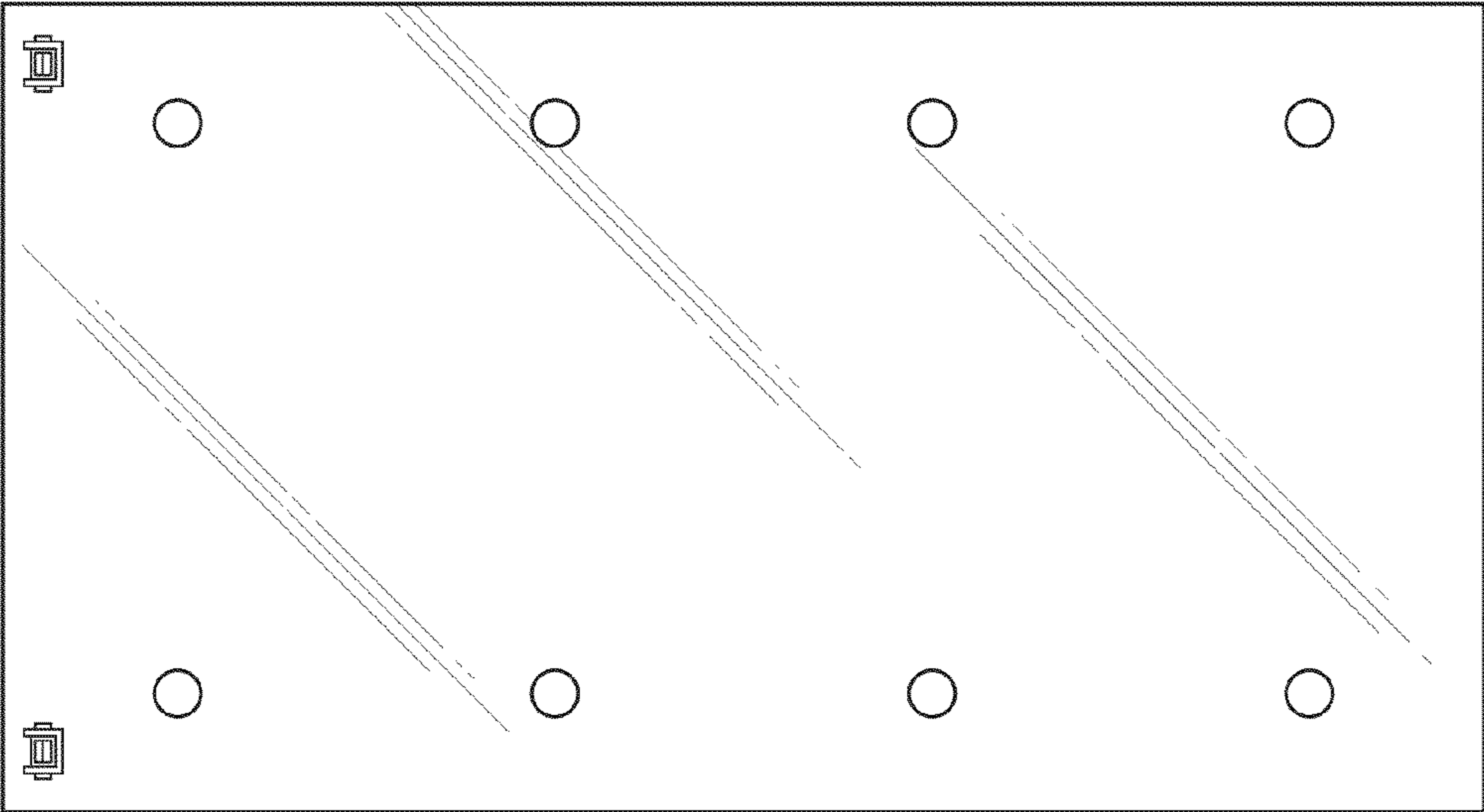


FIG. 4

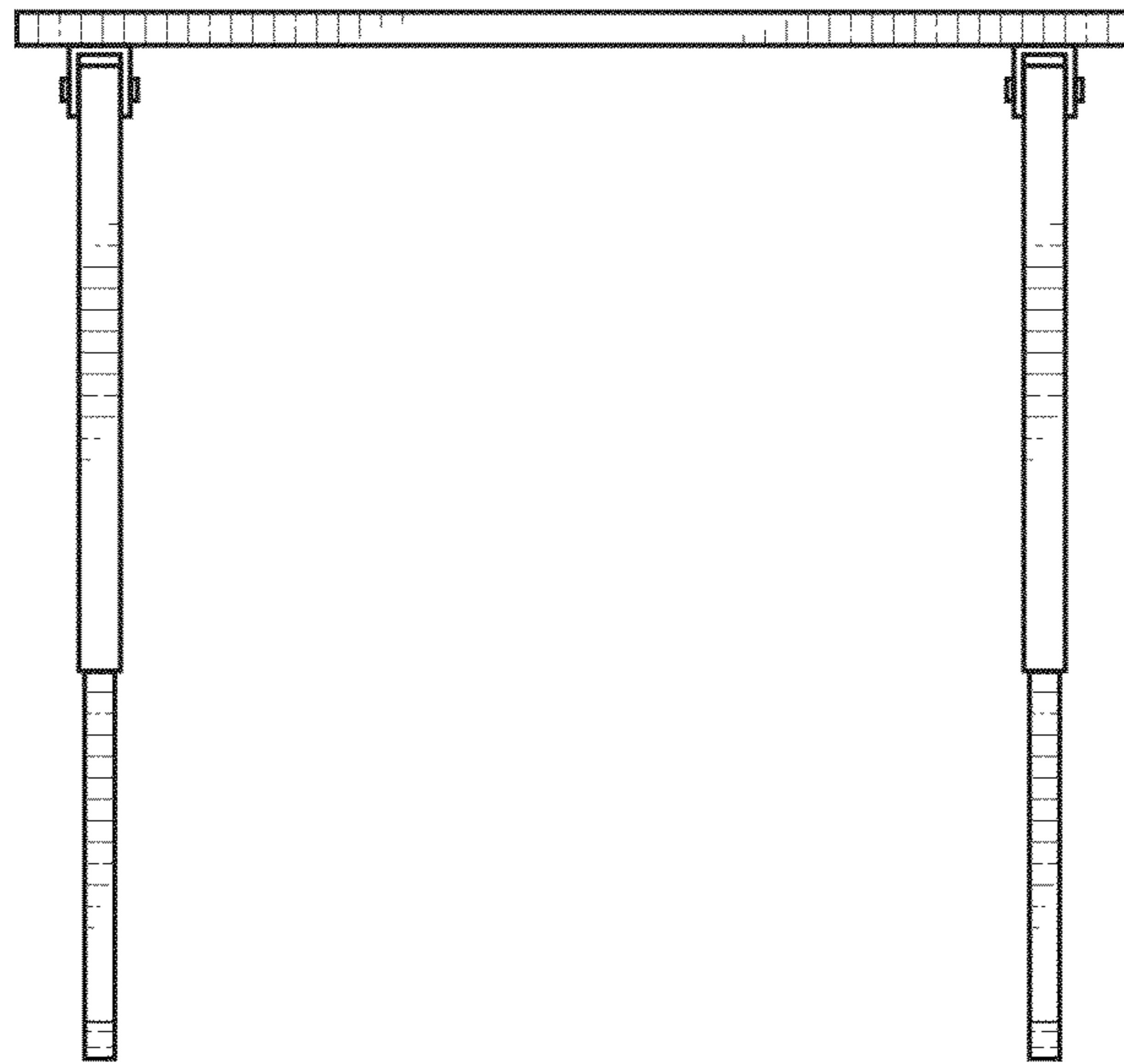


FIG. 5

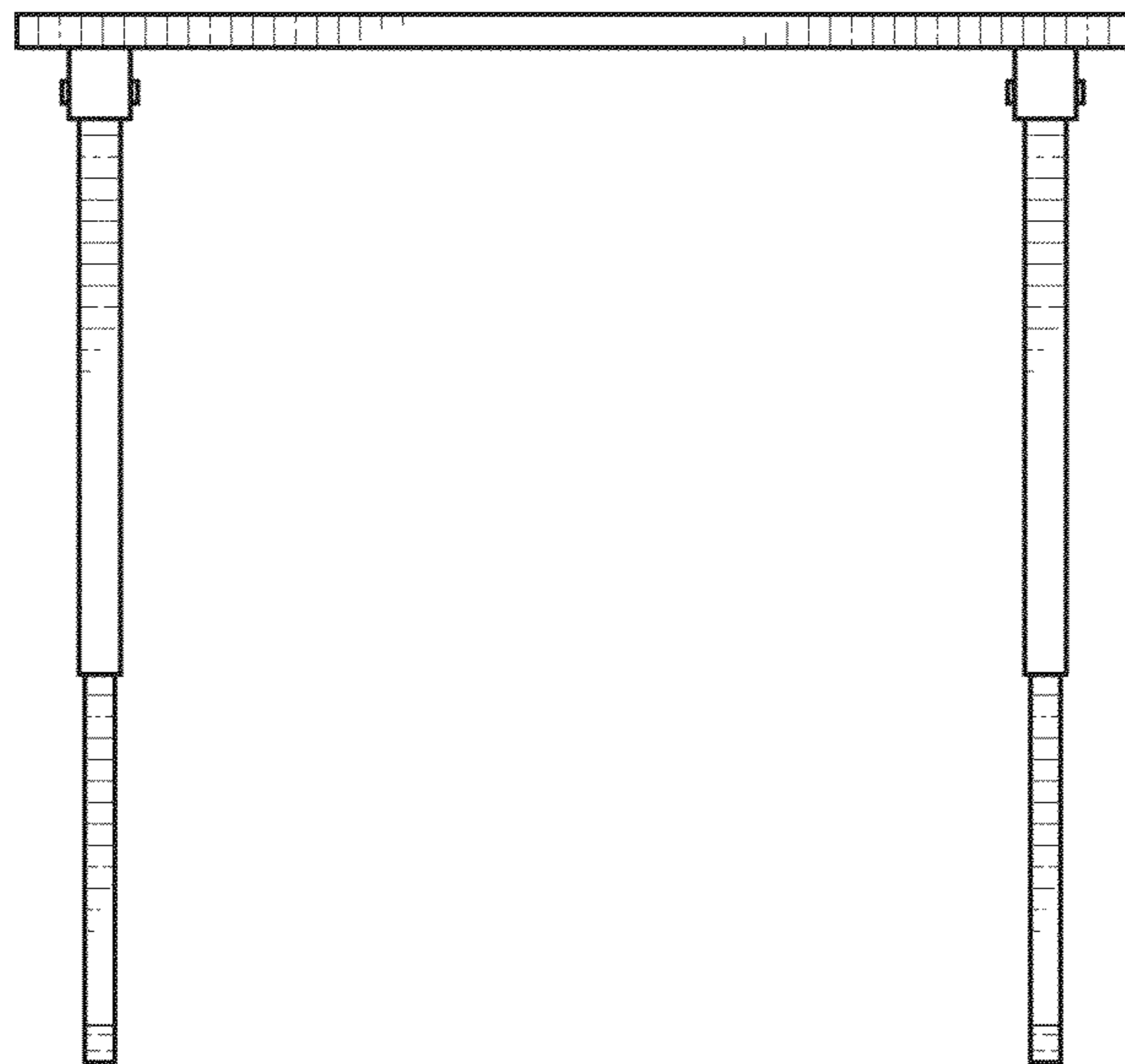


FIG. 6