



US00D733498S

(12) **United States Design Patent**
Matharu

(10) **Patent No.:** **US D733,498 S**
(45) **Date of Patent:** **** Jul. 7, 2015**

(54) **BALL-SHAPED BEVERAGE CONTAINER**

(71) Applicant: **Diageo North America, Inc.**, Norwalk, CT (US)

(72) Inventor: **Gusrharan Singh Matharu**, Harrow (GB)

(73) Assignee: **Diageo North America, Inc.**, Norwalk, CT (US)

(**) Term: **14 Years**

(21) Appl. No.: **29/484,041**

(22) Filed: **Mar. 5, 2014**

(51) **LOC (10) Cl.** **07-01**

(52) **U.S. Cl.**
USPC **D7/510**; D7/301; D7/300.1; D7/300;
D7/511; D9/504

(58) **Field of Classification Search**

USPC D7/300, 598, 316, 300.1, 321, 322, 509,
D7/591, 303, 514, 515, 540, 541, 505, 513,
D7/538, 539, 553.6, 553.8, 560, 555, 582,
D7/301, 312, 314, 317, 599, 604, 608, 613,
D7/619.1, 675, 213, 901, 396.2, 396.3,
D7/399, 400; D11/152, 143; D9/545, 546,
D9/651, 544, 553, 504, 503, 502, 521, 500,
D9/518, 549; 220/662, 703, 719, 713;
222/564, 107, 541.6, 213; 215/11.1,
215/384; D23/207; D24/113, 212;
D28/91.1; D6/552
CPC A47G 23/02; B01D 50/00; B01L 3/08
See application file for complete search history.

(56) **References Cited**

U.S. PATENT DOCUMENTS

D36,957 S * 6/1904 Helmer D7/359
903,634 A * 11/1908 Troemel 99/323

(Continued)

FOREIGN PATENT DOCUMENTS

CA 76464 5/1995
CA 140423 1/2012

(Continued)

OTHER PUBLICATIONS

Bud Light Party Ball, <http://www.beeradocate.com/community/threads/do-they-still-make-bud-light-party-balls.32709/>, discussion entry No. 29, last access date: May 12, 2014.

(Continued)

Primary Examiner — Marianne Pandozzi

Assistant Examiner — Jae Liang

(74) *Attorney, Agent, or Firm* — Dorsey & Whitney LLP

(57) **CLAIM**

I claim the ornamental design for a ball-shaped beverage container, substantially as shown and described.

DESCRIPTION

FIG. 1 is a top front isometric view of a ball-shaped beverage container.

FIG. 2 is a right side elevation view of the ball-shaped beverage container of FIG. 1.

FIG. 3 is a left side elevation view of the ball-shaped beverage container of FIG. 1.

FIG. 4 is a rear elevation view of the ball-shaped beverage container of FIG. 1.

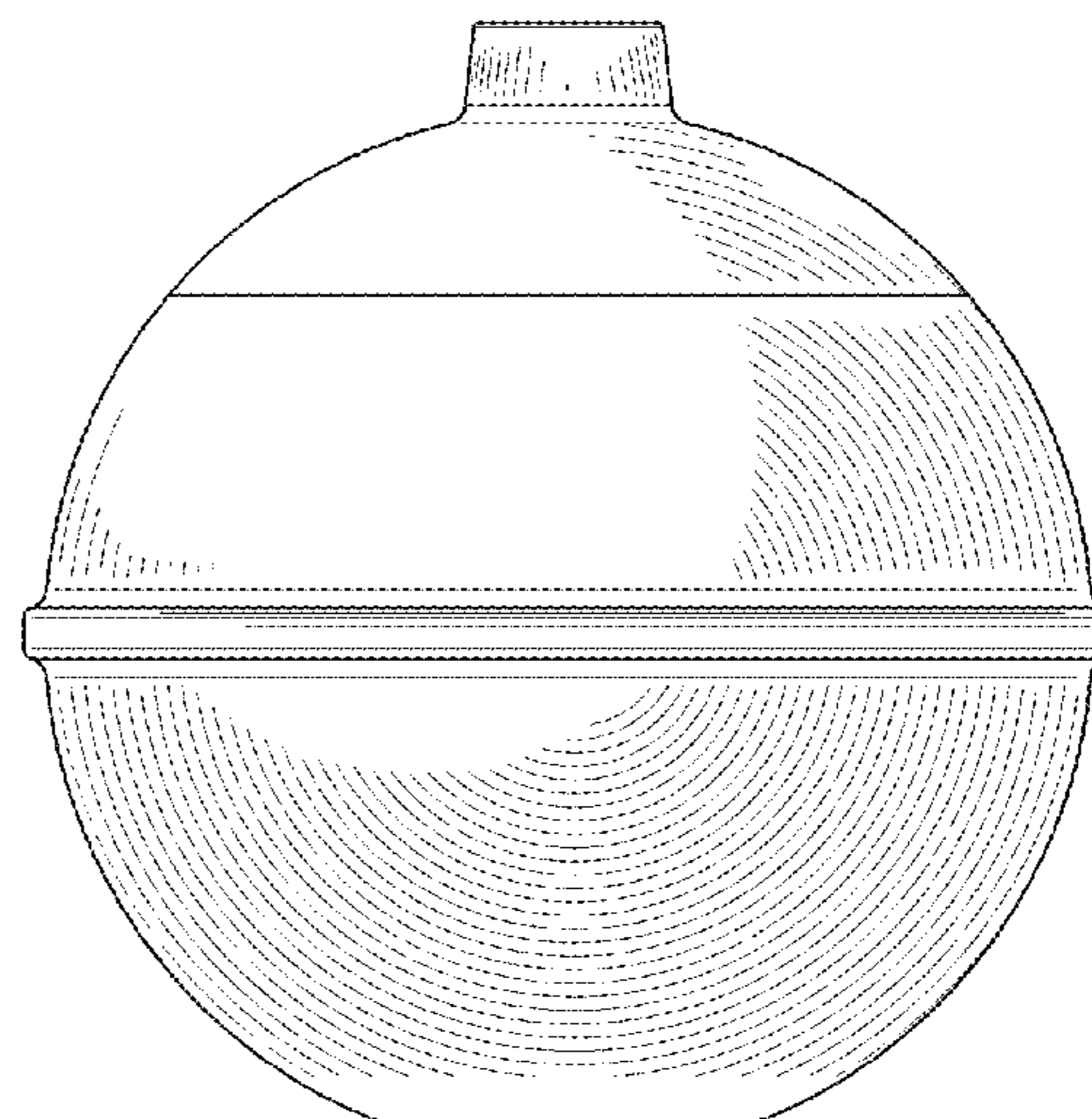
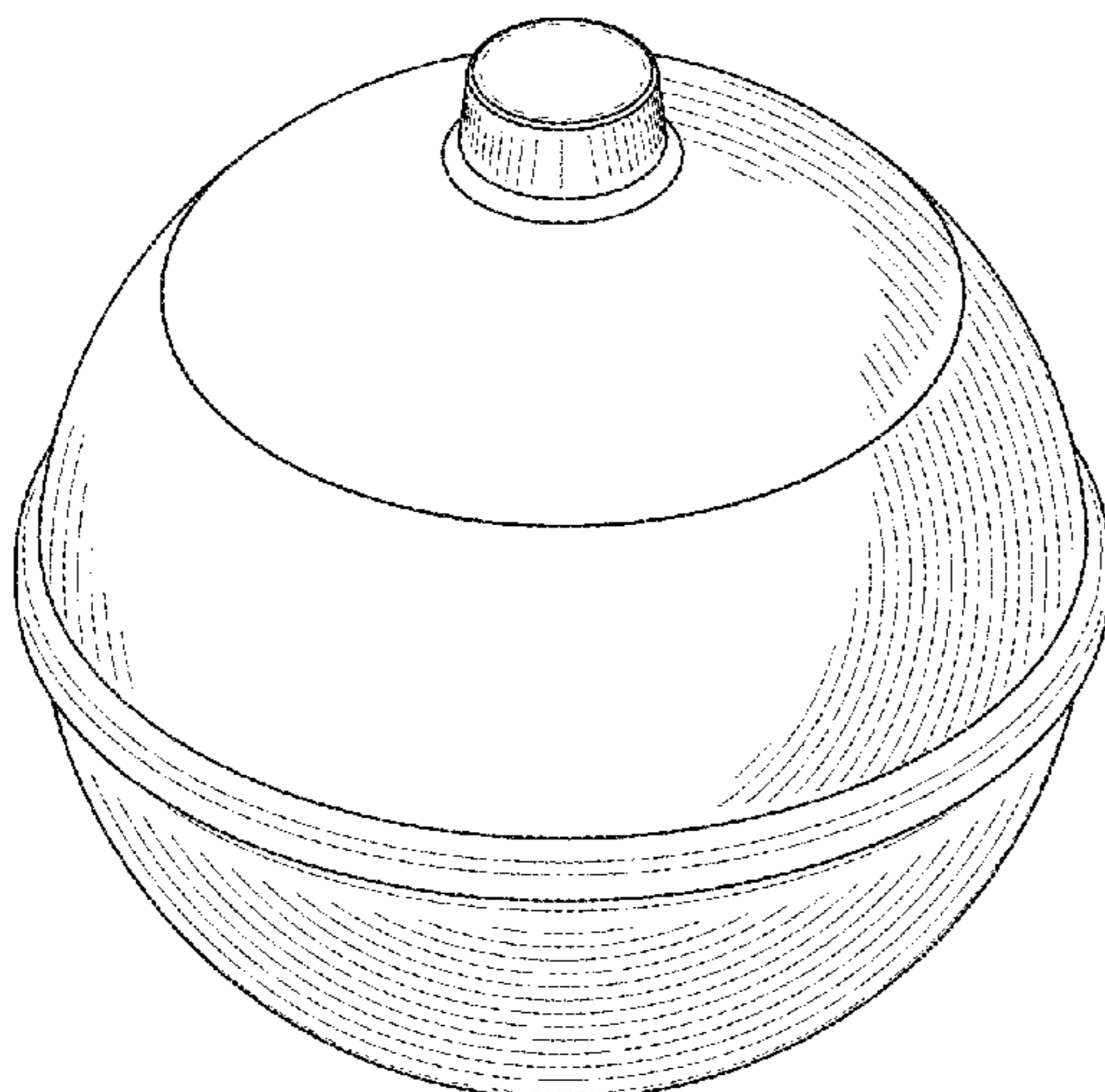
FIG. 5 is a front elevation view of the ball-shaped beverage container of FIG. 1.

FIG. 6 is a top plan view of the ball-shaped beverage container of FIG. 1; and,

FIG. 7 is a bottom plan view of the ball-shaped beverage container of FIG. 1.

The broken lines, which define the bounds of the claimed design, form no part of the claimed design.

1 Claim, 4 Drawing Sheets



(56)

References Cited

U.S. PATENT DOCUMENTS

D42,547 S * 5/1912 Smith D7/397
 1,473,430 A * 11/1923 Hirschhorn et al. 426/84
 1,722,946 A * 7/1929 Raffa 210/471
 D79,717 S * 10/1929 Hoffman D9/503
 D105,169 S * 6/1937 Fuerst D7/300.1
 D127,279 S * 5/1941 Ramsthal D7/539
 2,325,912 A * 8/1943 Lehmann 99/292
 D176,822 S * 1/1956 Sacia D7/540
 2,876,581 A * 3/1959 Schmidt 43/44.95
 2,975,925 A * 3/1961 Chambers 215/387
 D207,843 S * 6/1967 Scott, Jr. D24/232
 D240,883 S * 8/1976 Press D7/540
 D254,716 S * 4/1980 Mascia et al. D9/776
 D255,988 S * 7/1980 Mascia et al. D9/519
 D259,397 S * 6/1981 Kerns D9/503
 D270,039 S 8/1983 Lipscombe
 D273,652 S * 5/1984 Lederman et al. D7/540
 D306,406 S * 3/1990 Pierce et al. D7/300
 D358,324 S * 5/1995 Mitchell D9/668
 D367,008 S 2/1996 Sillince et al.
 D372,427 S 8/1996 Jago et al.
 D391,451 S * 3/1998 Todorya D7/606
 D396,382 S * 7/1998 Hsu D7/599
 D404,681 S * 1/1999 Galerneau D11/121
 D405,155 S * 2/1999 Zaharia et al. D22/146
 D409,443 S * 5/1999 Clark et al. D7/515
 D414,785 S 10/1999 Norris
 D416,806 S 11/1999 Zimmer et al.
 D421,392 S 3/2000 Visola
 D427,055 S * 6/2000 Nicolas D9/689
 D439,470 S * 3/2001 Durbin et al. D7/400
 D449,960 S * 11/2001 Durbin et al. D7/400
 D461,097 S 8/2002 Nemirovsky
 D464,571 S * 10/2002 Hill et al. D9/519
 D465,733 S * 11/2002 Hill D9/519
 D474,335 S 5/2003 von Schmidt et al.
 D492,403 S * 6/2004 Iddan et al. D24/104
 D496,552 S * 9/2004 Killips D7/300.2
 D505,050 S * 5/2005 Johnson et al. D7/606
 D509,742 S 9/2005 Biondich et al.
 D511,646 S * 11/2005 McKinney et al. D7/396.2
 D514,372 S * 2/2006 Kaposi et al. D7/354
 D528,257 S * 9/2006 Leclerc et al. D34/1
 7,141,011 B2 * 11/2006 Williams et al. 482/148
 D534,803 S 1/2007 Tsai et al.
 D549,106 S 8/2007 Lepoitevin
 D554,523 S 11/2007 Polina
 D557,940 S 12/2007 Carlin et al.
 D561,043 S 2/2008 Lepoitevin
 D564,900 S 3/2008 Green et al.
 D567,474 S 4/2008 Rasmussen
 D572,535 S * 7/2008 El-Ghouyel et al. D7/538
 D578,002 S * 10/2008 Canamasas Puigbo D9/519
 D582,281 S * 12/2008 Zanaletti D9/519
 D594,175 S 6/2009 Rasmussen
 D596,306 S * 7/2009 Levine D24/214
 D596,489 S 7/2009 Weiss
 D598,226 S * 8/2009 Byers D6/552
 D602,311 S * 10/2009 Finell D7/629
 D605,552 S * 12/2009 van der Lande D11/141
 D613,103 S * 4/2010 Misir D6/542
 D638,884 S * 5/2011 Shoemaker, Jr. D21/386
 D661,540 S * 6/2012 Facey D7/354
 D662,757 S 7/2012 Roos et al.

D671,011 S 11/2012 Sanders
 D674,570 S * 1/2013 Neuhaus D34/1
 D690,057 S * 9/2013 Wehr D30/102
 D704,566 S 5/2014 Sanders
 D704,567 S 5/2014 Sanders
 D710,153 S * 8/2014 Marini D7/515
 D711,247 S * 8/2014 Sanders D9/668

FOREIGN PATENT DOCUMENTS

CA	140424	1/2012
CN	300845779	11/2008
CN	301693295	10/2011
CN	301767336	12/2011
EM	000054994-0001	7/2003
EM	000124243-0001	1/2004
EM	000124243-0004	1/2004
EM	000261383-0001	11/2004
EM	000337415-0001	5/2005
EM	000372172-0012	7/2005
EM	000385604-0001	8/2005
EM	000528708-0001	5/2006
EM	000528716-0001	5/2006
EM	000689310-0001	3/2007
EM	000754858-0001	7/2007
EM	000792890-0001	9/2007
EM	000478987-0001	8/2008
EM	002142562-0001	11/2012
GB	1013293	5/1983
GB	1016766	12/1983
MX	5092	3/1992
MX	20142	3/2006
MX	36131 B	4/2012
MX	38301 B	3/2013
WO	D015430-001	12/1989
WO	D015430-002	12/1989
WO	D015430-003	12/1989
WO	D015430-004	12/1989
WO	D015430-005	12/1989
WO	D015430-006	12/1989
WO	D015430-007	12/1989
WO	D015430-008	12/1989
WO	D015430-009	12/1989
WO	D015430-010	12/1989
WO	D015430-011	12/1989
WO	D015430-012	12/1989
WO	D015430-013	12/1989
WO	D015430-014	12/1989
WO	D015430-015	12/1989
WO	D015430-016	12/1989
WO	D015430-017	12/1989
WO	D015430-018	12/1989
WO	D015430-019	12/1989
WO	D015430-020	12/1989
WO	D041203-003	8/1997
WO	D041203-004	8/1997
WO	D041830-001	10/1997
WO	D044913-008	10/1998
WO	D082745-001	1/2014

OTHER PUBLICATIONS

Coors Light Party Ball, http://blogs.dallasobserver.com/cityofate/2012/09/saying_goodbye_to_the_long_los.php; last access date: May 12, 2014.

* cited by examiner

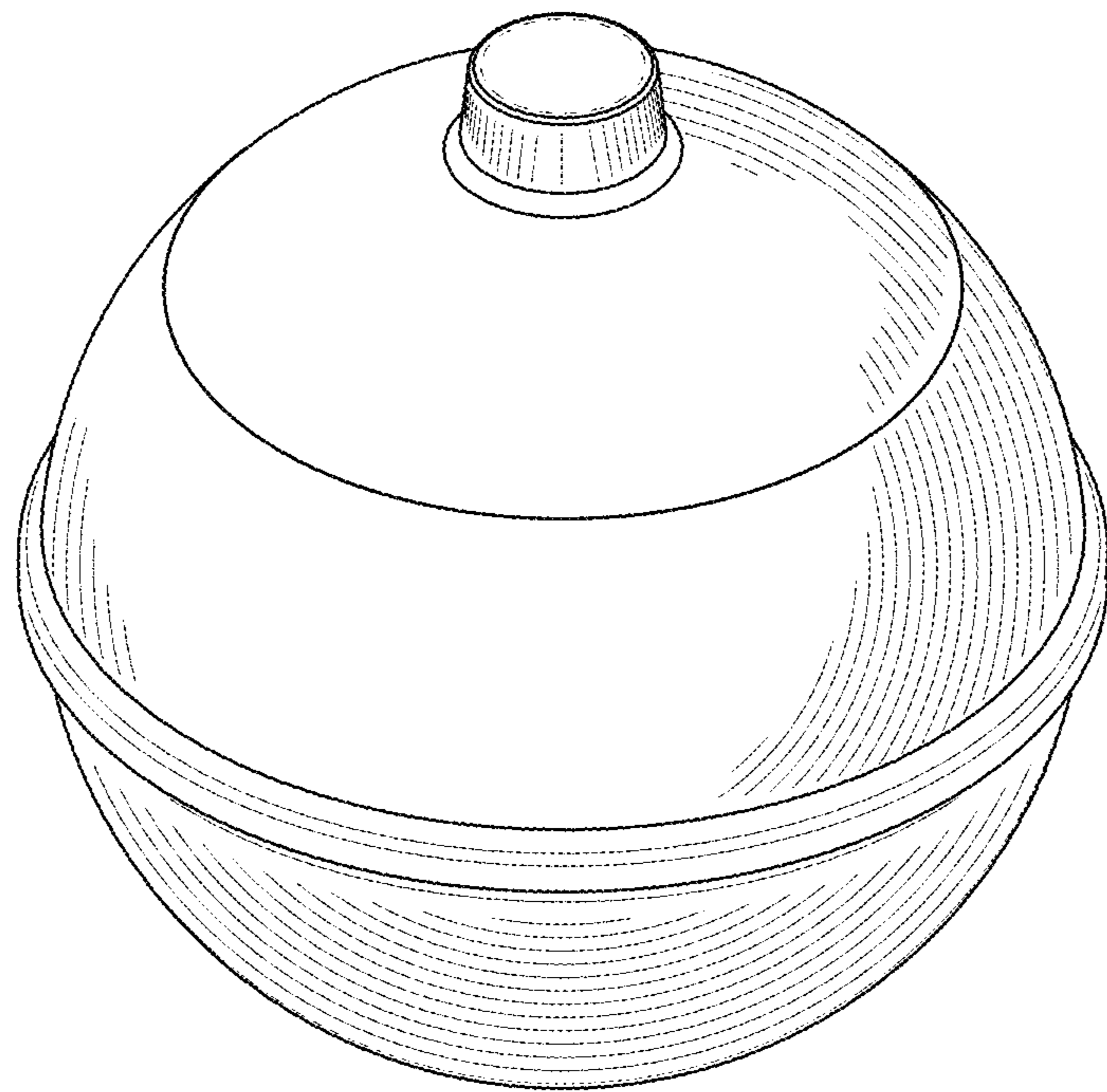


FIG. 1

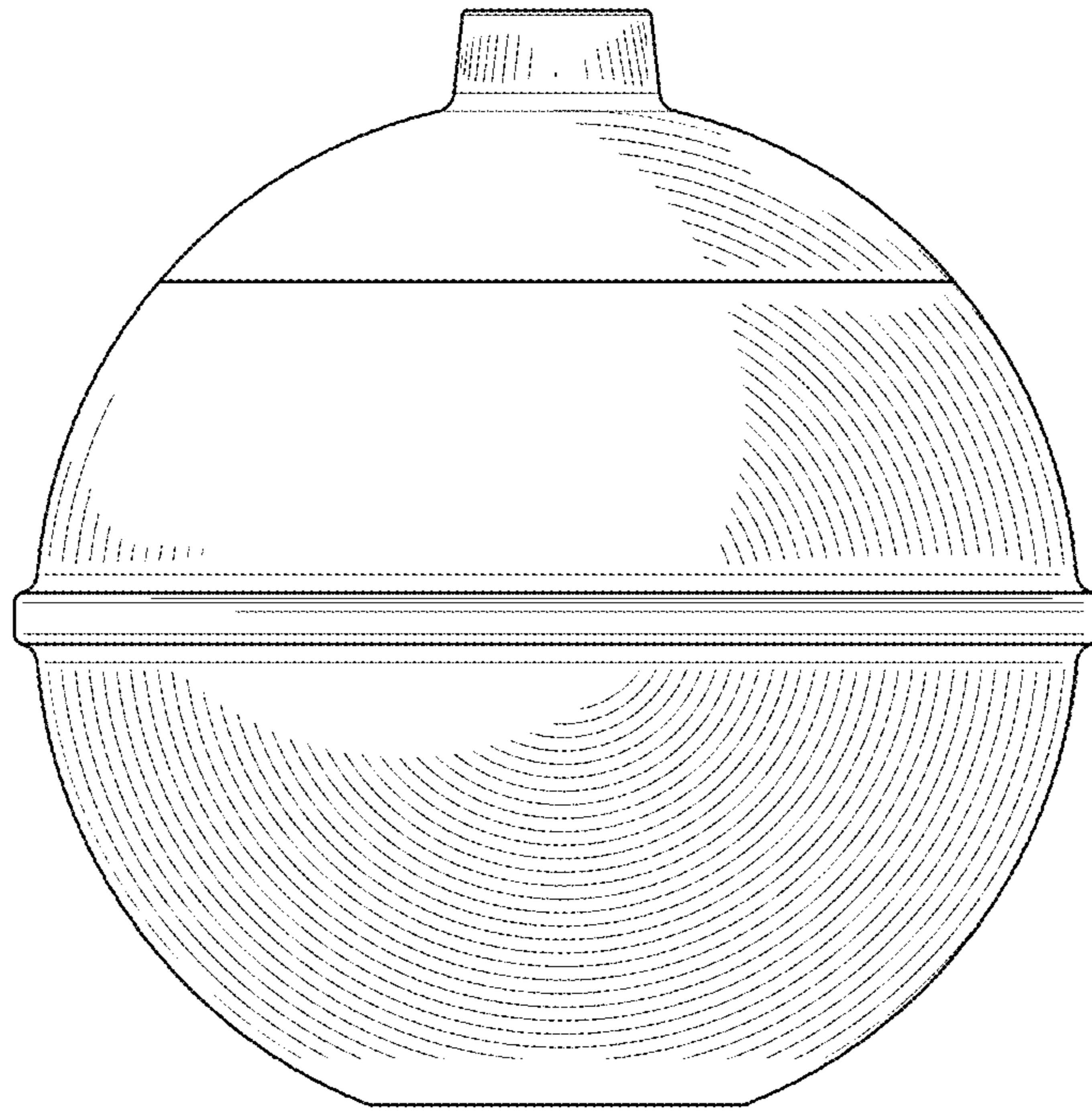


FIG. 2

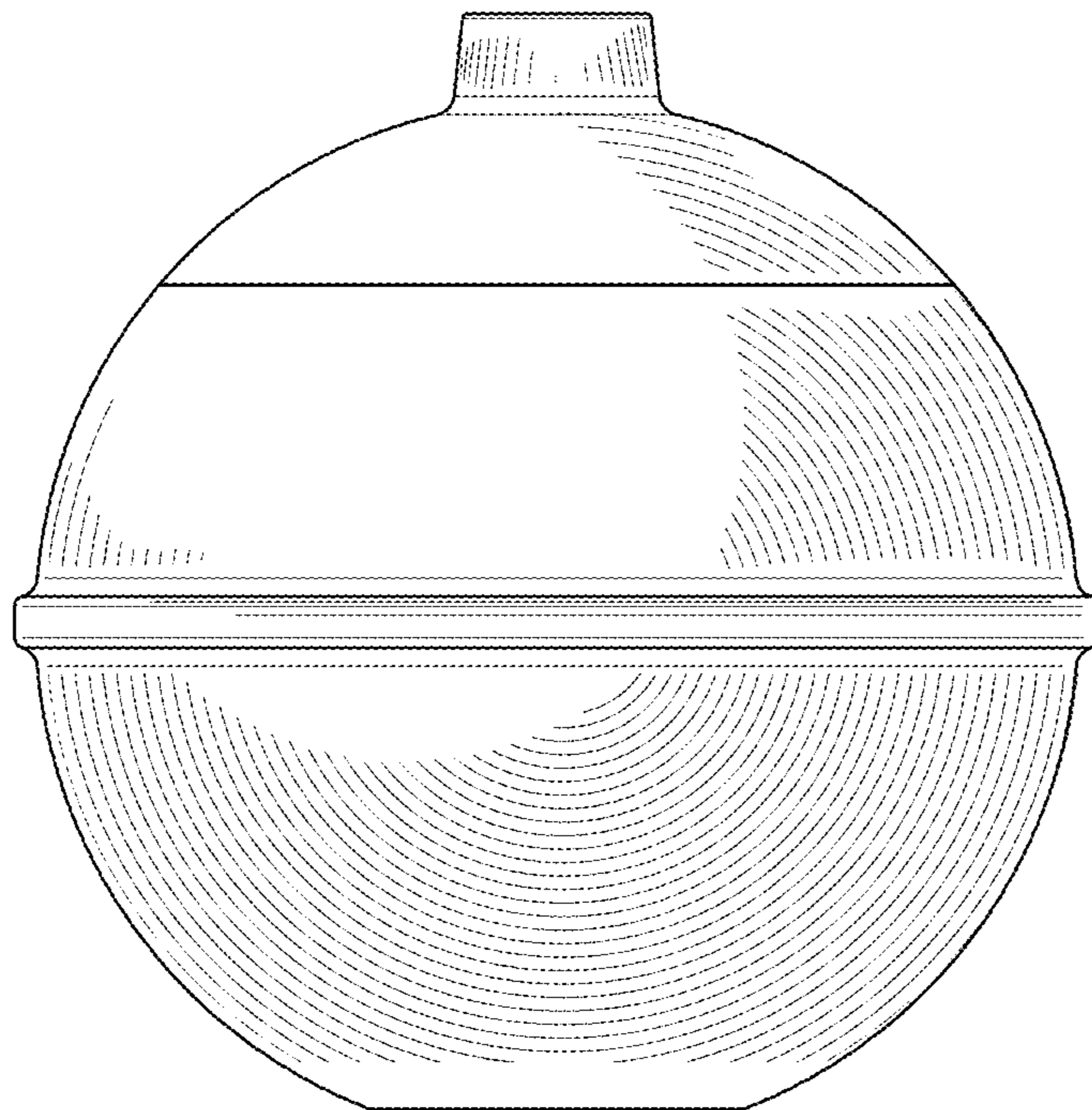


FIG. 3

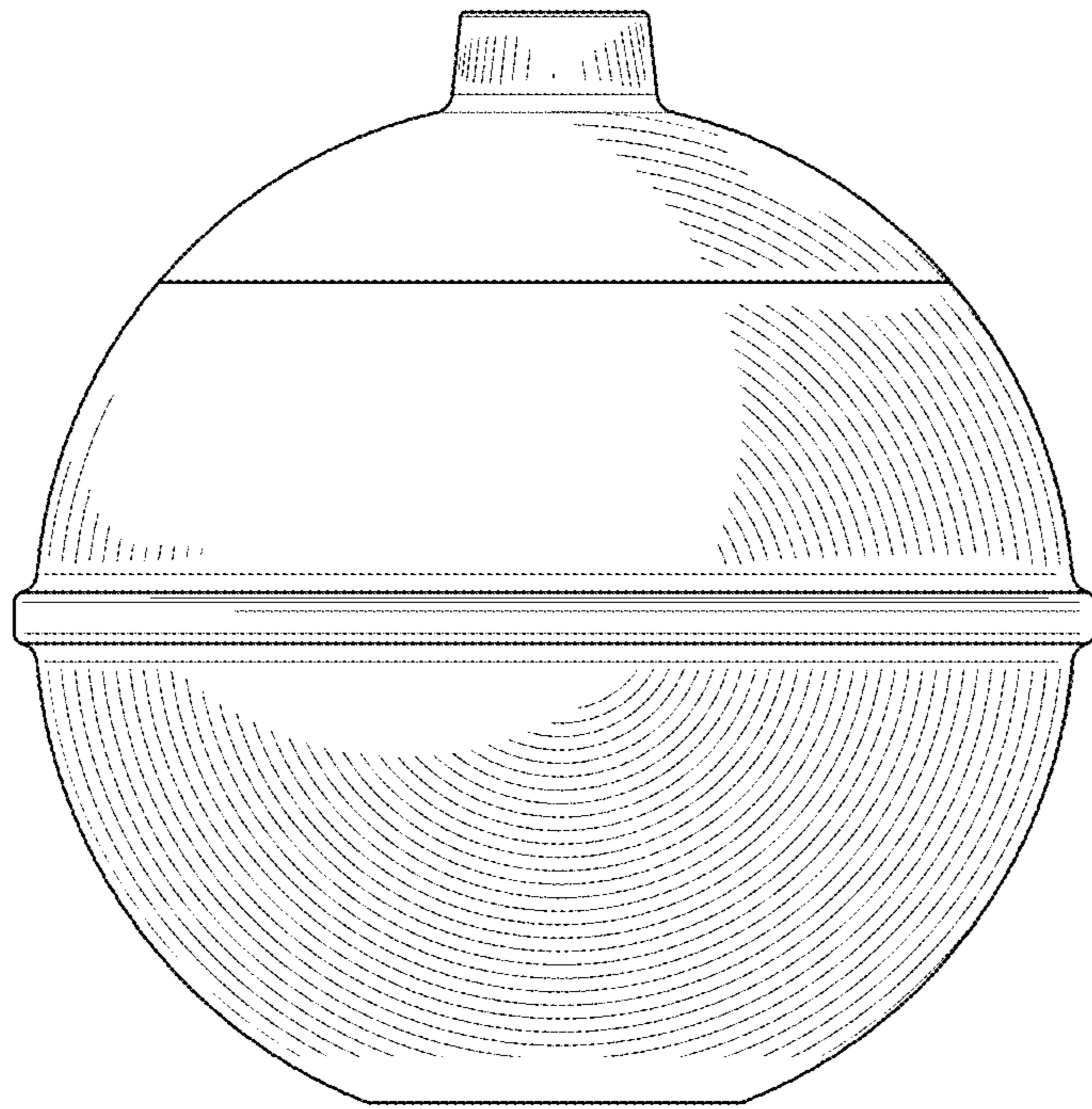


FIG. 4

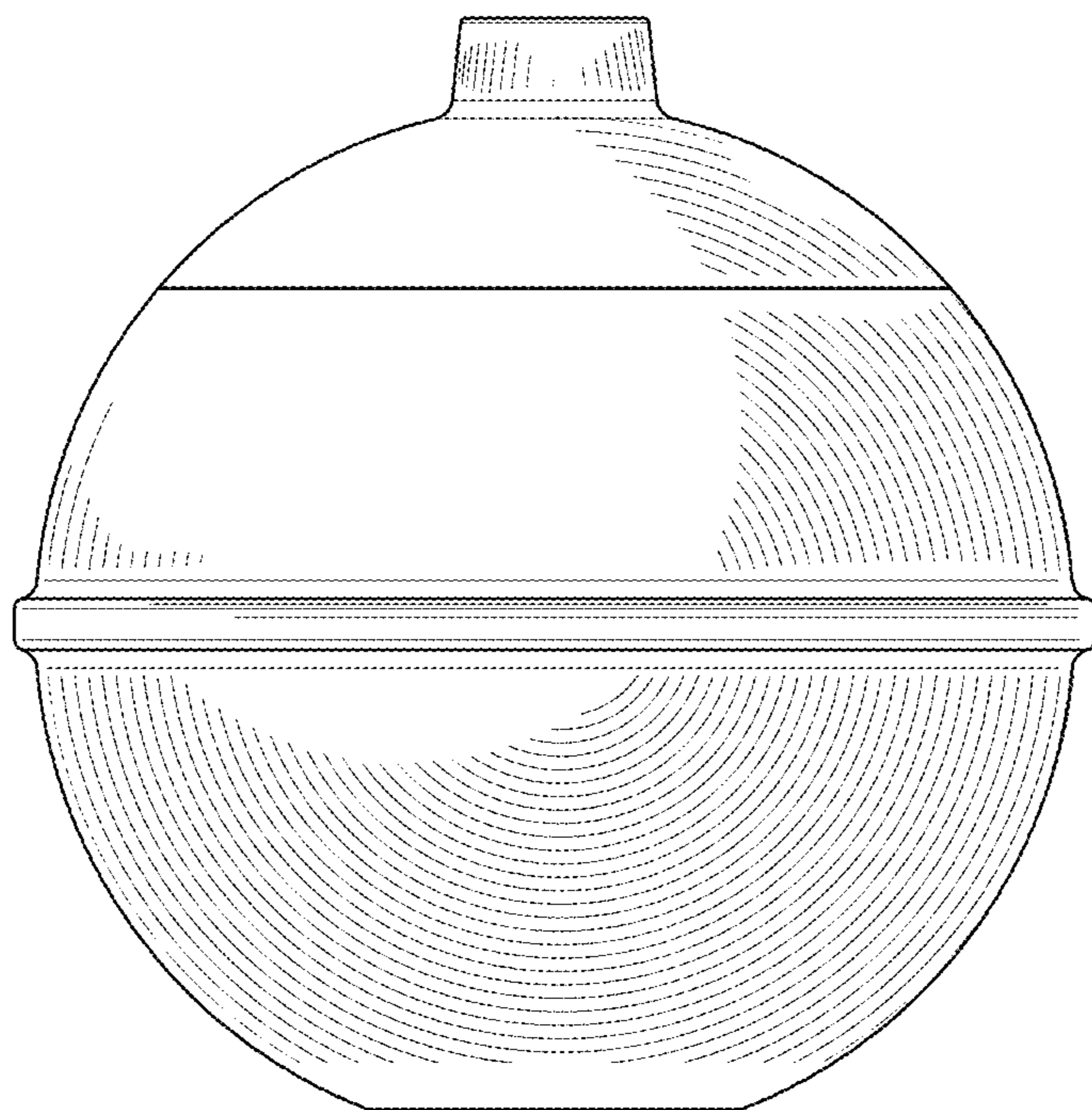


FIG. 5

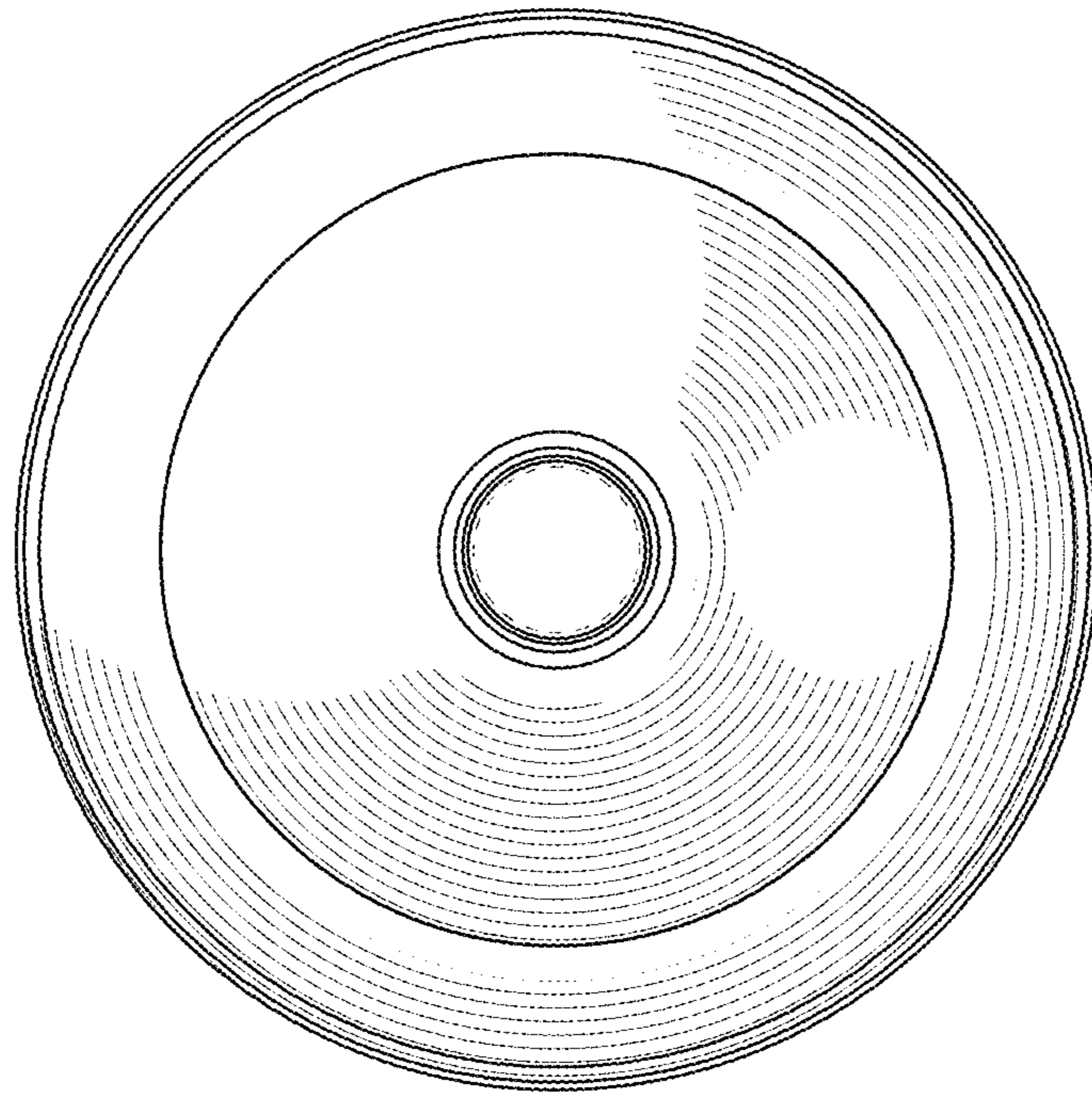


FIG. 6

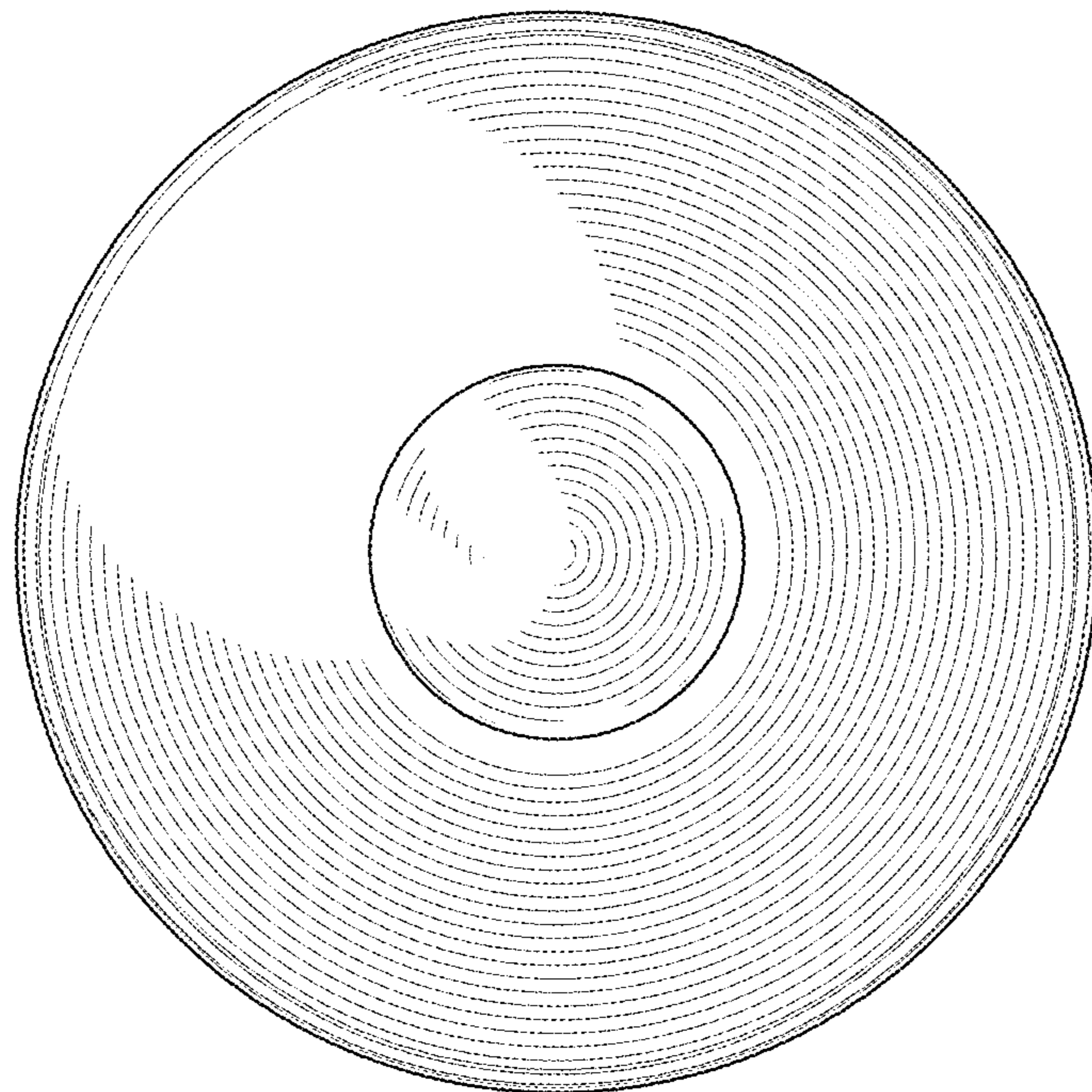


FIG. 7