



US00D733497S

(12) **United States Design Patent**
Sorensen et al.

(10) **Patent No.:** **US D733,497 S**
(45) **Date of Patent:** **** Jul. 7, 2015**

(54) **CONTAINER**

FOREIGN PATENT DOCUMENTS

(71) Applicant: **Runway Blue, LLC**, Pleasant Grove,
UT (US)

CN 201139196 10/2008
JP 2006103793 A 4/2004
JP 2008247404 10/2008

(72) Inventors: **Steven M. Sorensen**, Alpine, UT (US);
David O. Meyers, Kaysville, UT (US);
Kim L. Sorensen, Alpine, UT (US)

OTHER PUBLICATIONS

<http://web.archive.org/web/20121114234834/http://www.smartshake.com/about-us> Available Nov. 14, 2012.*

(Continued)

(73) Assignee: **RUNWAY BLUE, LLC**, Pleasant
Grove, UT (US)

Primary Examiner — Susan Bennett Hattan

Assistant Examiner — Leanne Was

(*) Notice: This patent is subject to a terminal disclaimer.

(74) *Attorney, Agent, or Firm* — Maschoff Brennan

(**) Term: **14 Years**

(57) **CLAIM**

The ornamental design for a container, as shown and described.

(21) Appl. No.: **29/465,998**

DESCRIPTION

(22) Filed: **Sep. 3, 2013**

FIG. 1 is a upper perspective view of an embodiment of a container;

(51) **LOC (10) Cl.** **07-01**

FIG. 2 is a lower perspective view of the container shown in FIG. 1;

(52) **U.S. Cl.**

USPC **D7/509**

FIG. 3 is a front view of the container shown in FIG. 1;

(58) **Field of Classification Search**

USPC D7/300, 300.1, 302, 305, 314, 376, 505,
D7/507, 509, 523, 543, 545, 546, 549, 560,
D7/589, 601, 602, 608, 612-615, 619.1,
D7/629, 632; D9/428-432, 436, 447, 500,
D9/502, 516, 530, 533, 536, 537, 539, 542,
D9/543, 547, 553, 571, 574; D10/46, 46.2,
D10/46.3; D24/197, 224; 206/459.1, 519,
206/520; 215/381-385; 220/23.88, 660,
220/662, 669, 781

FIG. 4 is a rear view of the container shown in FIG. 1;

FIG. 5 is a left side view of the container shown in FIG. 1;

FIG. 6 is a right side view of the container shown in FIG. 1;

FIG. 7 is a top view of the container shown in FIG. 1;

FIG. 8 is a bottom view of the container shown in FIG. 1;

FIG. 9 is an upper perspective view of another embodiment of a container;

FIG. 10 is a lower perspective view of the container shown in FIG. 9;

FIG. 11 is a front view of the container shown in FIG. 9;

FIG. 12 is a rear view of the container shown in FIG. 9;

FIG. 13 is a left side view of the container shown in FIG. 9;

FIG. 14 is a right side view of the container shown in FIG. 9;

FIG. 15 is a top view of the container shown in FIG. 9; and,

FIG. 16 is a bottom view of the container shown in FIG. 9.

The broken lines shown in the figures depict unclaimed portions of the container only and form no part of the claimed design.

See application file for complete search history.

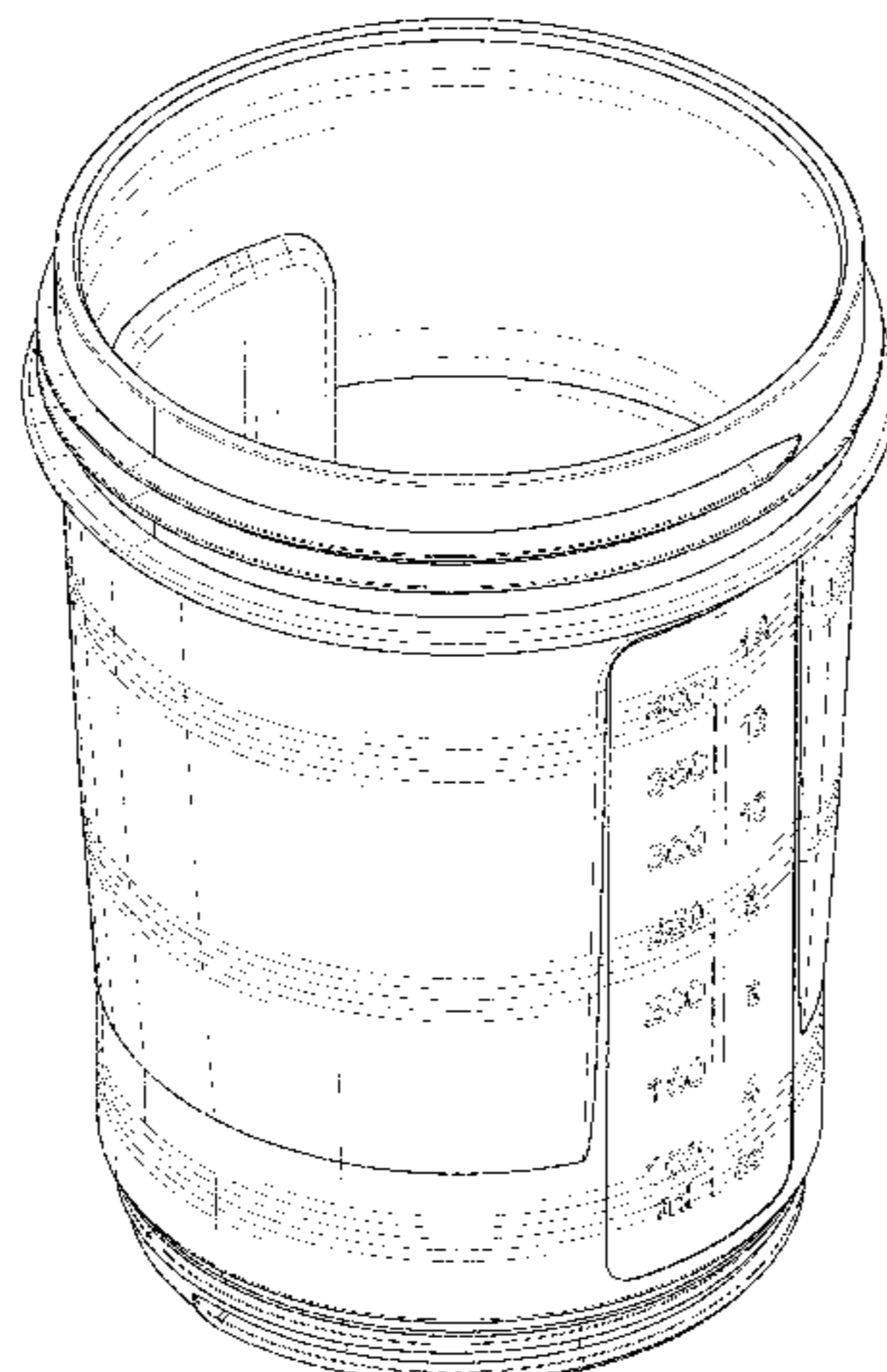
(56) **References Cited**

U.S. PATENT DOCUMENTS

1,037,051 A 8/1912 Ramsay
1,094,469 A 4/1914 Pick

(Continued)

1 Claim, 16 Drawing Sheets



(56)

References Cited

U.S. PATENT DOCUMENTS

1,389,732 A	9/1921	Baron		7,073,678 B1	7/2006	Dibdin et al.
1,479,053 A	1/1924	Brooks		D526,827 S	8/2006	Allen et al.
1,573,620 A	2/1926	Allston		D528,862 S	9/2006	Li
2,056,879 A	10/1936	Winterhalter et al.		D529,339 S	10/2006	Carreno et al.
2,272,867 A	2/1942	Cobel		D532,312 S	11/2006	Conway et al.
2,514,573 A	7/1950	Harrison		D532,650 S	11/2006	de Groot
2,573,378 A	10/1951	Zurlinden		D543,454 S	5/2007	Leoncavallo et al.
2,574,876 A	11/1951	Lebus		D546,131 S	7/2007	Morales
2,575,299 A	11/1951	Scheel		D547,607 S	7/2007	Forsman
2,638,253 A	5/1953	Mueller		D565,353 S	4/2008	Roth et al.
2,748,997 A	6/1956	Richmond, Sr.		D574,190 S	8/2008	Homma
2,752,971 A	7/1956	Tupper		D580,227 S	11/2008	Roth et al.
2,754,866 A	7/1956	Coltman		D584,569 S	1/2009	Buchman et al.
3,022,925 A	2/1962	Daniell		D584,925 S	1/2009	Buchman et al.
3,091,361 A	5/1963	Gawron		D586,184 S	2/2009	Miller et al.
3,143,205 A	8/1964	Ruderian		D587,069 S	2/2009	Bodum
3,144,016 A	8/1964	Basci		D589,751 S	4/2009	Liu et al.
3,168,226 A	2/1965	Underwood		D592,913 S	5/2009	Pinelli et al.
3,369,691 A	2/1968	Wei		7,533,783 B2	5/2009	Choi et al.
3,552,548 A	1/1971	Wallestad et al.		D593,811 S	6/2009	Carreno
3,770,160 A	11/1973	Flider		D599,664 S	9/2009	Fujinami et al.
3,820,692 A	6/1974	Swett et al.		D602,369 S	10/2009	Potts et al.
D233,116 S	10/1974	Swett et al.		D604,103 S	11/2009	Alviar et al.
4,022,352 A	5/1977	Pehr		D609,970 S	2/2010	Richau et al.
4,136,799 A	1/1979	Albert		D613,110 S	4/2010	Lane et al.
4,158,902 A	6/1979	Chernack et al.		D622,089 S	8/2010	Daniel et al.
D261,088 S	10/1981	Akimov et al.		D622,554 S	8/2010	Carreno
4,399,926 A	8/1983	Eidels-Dubovoy		7,806,284 B2	10/2010	Mangano
D273,167 S *	3/1984	Carlson	D7/612	D626,837 S	11/2010	Meyers et al.
4,457,458 A	7/1984	Heinol		D626,838 S	11/2010	Meyers et al.
4,474,303 A	10/1984	Maccise		D628,483 S	12/2010	McKinney et al.
4,519,518 A	5/1985	Wiles et al.		D629,657 S	12/2010	Carreno
D280,281 S *	8/1985	Conti et al.	D7/602	7,870,980 B2	1/2011	Wilson et al.
4,537,044 A	8/1985	Putnam		D641,594 S	7/2011	Huang
D282,896 S *	3/1986	Conti et al.	D7/629	D644,065 S	8/2011	Llerena
D282,897 S *	3/1986	Conti et al.	D7/602	8,020,257 B2	9/2011	Merten et al.
4,735,333 A	4/1988	Lay et al.		D646,546 S	10/2011	Robinson et al.
4,776,501 A	10/1988	Ostrowsky		D646,919 S	10/2011	Nilsson
4,805,790 A	2/1989	Leonetti et al.		D647,760 S	11/2011	Pearson
4,932,225 A	6/1990	Bighouse		D652,256 S	1/2012	Eyal
5,065,877 A	11/1991	Karppinen et al.		D655,131 S	3/2012	Nilsson
5,065,911 A	11/1991	Rohr et al.		D655,967 S	3/2012	Bodum
5,088,614 A	2/1992	Dumestre		D656,357 S	3/2012	Enghard
D330,862 S	11/1992	Shibley et al.		D661,551 S	6/2012	Gilbert
5,228,584 A	7/1993	Williams, Jr.		D666,047 S	8/2012	Lin
D342,898 S	1/1994	Baschmackoff		D666,061 S	8/2012	Ying
5,289,930 A	3/1994	Inouye		D667,694 S	9/2012	Meyers et al.
D350,460 S	9/1994	Picozza et al.		8,302,796 B1	11/2012	Johnson
5,386,922 A	2/1995	Jordan		D672,618 S	12/2012	Stamper et al.
D356,499 S	3/1995	Cautereels et al.		8,342,349 B2	1/2013	Lu
5,547,111 A	8/1996	Geiger et al.		D677,121 S	3/2013	Meyers et al.
5,609,277 A	3/1997	McDonald		D682,701 S	5/2013	Stephan et al.
D382,968 S	8/1997	Giles et al.		D686,885 S	7/2013	Meyers et al.
D399,099 S *	10/1998	Cousins	D7/615	D686,886 S	7/2013	Meyers et al.
D404,305 S	1/1999	De Baschmakoff		D686,887 S	7/2013	Meyers et al.
D405,654 S	2/1999	Moran		D686,888 S	7/2013	Meyers et al.
D406,349 S *	3/1999	Hammond	D24/197	D697,798 S	1/2014	Sorensen et al.
5,896,990 A	4/1999	Barzana		2002/0074334 A1	6/2002	Karp
D421,547 S	3/2000	Demers		2002/0130126 A1	9/2002	Rosenberg
D433,337 S	11/2000	Cautereels		2003/0085228 A1	5/2003	Oakes
6,161,713 A	12/2000	Krich		2004/0217139 A1	11/2004	Roth et al.
6,283,333 B1	9/2001	Knickerbocker et al.		2004/0262306 A1	12/2004	Smith
6,299,005 B1	10/2001	Higgins		2005/0045634 A1	3/2005	Ward et al.
6,379,032 B1	4/2002	Sorensen		2005/0045636 A1	3/2005	Lown et al.
D458,081 S	6/2002	Bodum		2007/0012693 A1	1/2007	Kummer
D461,420 S	8/2002	Kerman		2007/0175931 A1	8/2007	Leoncavallo et al.
D471,064 S *	3/2003	Renz	D7/523	2008/0099514 A1	5/2008	Carter et al.
D497,431 S	10/2004	Bentley		2009/0178940 A1	7/2009	Said
6,832,412 B2	12/2004	Kim		2009/0188884 A1	7/2009	Nelson et al.
6,860,397 B1	3/2005	Walters, Jr.		2009/0188933 A1	7/2009	Daams
D504,273 S	4/2005	Ancona		2009/0301990 A1	12/2009	Cresswell et al.
D508,185 S	8/2005	Gauss		2010/0200438 A1	8/2010	Davies
D508,187 S *	8/2005	Dais et al.	D7/602	2010/0206835 A1	8/2010	Yu
D510,235 S	10/2005	Sorensen		2010/0224631 A1	9/2010	Roth et al.
D518,336 S	4/2006	Hirani		2010/0282703 A1	11/2010	Yang
				2011/0017753 A1 *	1/2011	Lewis et al. 220/669
				2011/0017760 A1	1/2011	Newman

(56)

References Cited

U.S. PATENT DOCUMENTS

2011/0253733 A1 10/2011 Meyers et al.
 2013/0062304 A1* 3/2013 Meyers et al. 215/240

OTHER PUBLICATIONS

<https://www.youtube.com/watch?v=IKUC7KZ74Dg#t=10> Available Apr. 26, 2011.*
<https://www.youtube.com/watch?v=gDjNOp3TBNw> Available Mar. 28, 2012.*
<http://web.archive.org/web/20130803102407/http://active8canada.com/products/Spider-Bottle-2Go-%28700ml%29.html> Available Aug. 3, 2013.*
 Boelter Brands Protein Shaker Bottle, image extracted from http://www.boelterbrandsproducts.com/2013SportsCatalog_Hydration.pdf on Oct. 7, 2013.
 SmartShake Jay Cutler Gold Edition Protein Shaker Bottle, image extracted from <http://www.smartshake.com/products/signature-series/jay-cutler-gold-edition/> on Oct. 7, 2013.
 Response to Office Action mailed on Mar. 29, 2013 from U.S. Appl. No. 13/633,864, filed Sep. 30, 2013.
 U.S. Appl. No. 12/762,292, filed Apr. 16, 2010, Meyers, et al.
 U.S. Appl. No. 13/232,891, filed Sep. 14, 2011, Meyers, et al.
 U.S. Appl. No. 13/232,935, filed Sep. 14, 2011, Meyers, et al.
 U.S. Appl. No. 29/430,882, filed Aug. 30, 2012, Meyers, et al.
 U.S. Appl. No. 29/431,544, filed Sep. 7, 2012, Meyers, et al.
 U.S. Appl. No. 13/609,238, filed Sep. 10, 2012, Meyers, et al.
 U.S. Appl. No. 13/610,445, filed Sep. 11, 2012, Meyers, et al.
 U.S. Appl. No. 13/633,864, filed Oct. 2, 2012, Meyers, et al.
 U.S. Appl. No. 29/457,097, filed Jun. 6, 2013, Sorensen, et al.
 U.S. Appl. No. 29/457,096, filed Jun. 6, 2013, Sorensen, et al.
 U.S. Appl. No. 61/832,085, filed Jun. 6, 2013, Sorensen, et al.
 U.S. Appl. No. 61/873,334, filed Sep. 3, 2013, Sorensen, et al.
 U.S. Appl. No. 29/465,995, filed Sep. 3, 2013, Sorensen, et al.
 U.S. Appl. No. 29/465,996, filed Sep. 3, 2013, Sorensen, et al.
 Kor One, <http://www.korwater.com/buyONE>, accessed Apr. 21, 2010.

Core 77, <http://www.core77.com/blog/materials/kor.sub.--one.sub.--water.sub.--vessel.sub.--actual.sub.--size.sub.--10211.asp>, accessed Apr. 21, 2010.
 Koyono, <http://www.koyono.com/KOR-ONE-Green-Zen-Water-Hydration-Vessel.sub.--p/kor-one.htm>, accessed Apr. 21, 2010.
 Fit Sugar, www.fitsugar.com/2496788, accessed Apr. 21, 2010.
 Thermos, <http://www.shopthermos.com/detail/TMS+HP4000GR6>, accessed Apr. 21, 2010.
 Goodlifter, <http://www.goodlifer.com/2009/02/360-paper-water-bottle/>, accessed Apr. 21, 2010.
 Notice of Allowance from U.S. Appl. No. 29/430,882 dated Aug. 5, 2013.
 Advisory Action from U.S. Appl. No. 12/762,292 dated May 24, 2013.
 Office Action from U.S. Appl. No. 12/762,292 dated Jul. 1, 2013.
 Office Action from U.S. Appl. No. 12/762,292 dated Oct. 2, 2012.
 Office Action from U.S. Appl. No. 12/762,292 dated Jul. 17, 2012.
 Office Action from U.S. Appl. No. 12/762,292 dated Feb. 10, 2012.
 Notice of Allowance from U.S. Appl. No. 29/431,544 dated Aug. 14, 2013.
 Office Action from U.S. Appl. No. 29/431,544 dated Mar. 25, 2013.
 Office Action from U.S. Appl. No. 13/610,445 dated Mar. 29, 2013.
 Office Action from U.S. Appl. No. 13/633,864 dated Mar. 29, 2013.
 Office Action from U.S. Appl. No. 13/232,891 dated Jul. 19, 2013.
 Office Action from U.S. Appl. No. 13/609,238 dated May 30, 2013.
 International Search Report from PCT Application No. PCT/US2011/026508 dated Sep. 29, 2011.
 Written Opinion from PCT Application No. PCT/US2011/026508 dated Sep. 29, 2011.
 International Preliminary Report on Patentability from PCT Application No. PCT/US2011/026508 dated Oct. 16, 2012.
 International Search Report from PCT Application No. PCT/US2012/054483 dated Nov. 16, 2012.
 International Search Report and Written Opinion from PCT Application No. PCT/US2012/054497 dated Nov. 20, 2012.
 International Search Report and Written Opinion from PCT Application No. PCT/US2013/052132 dated Aug. 16, 2013.

* cited by examiner

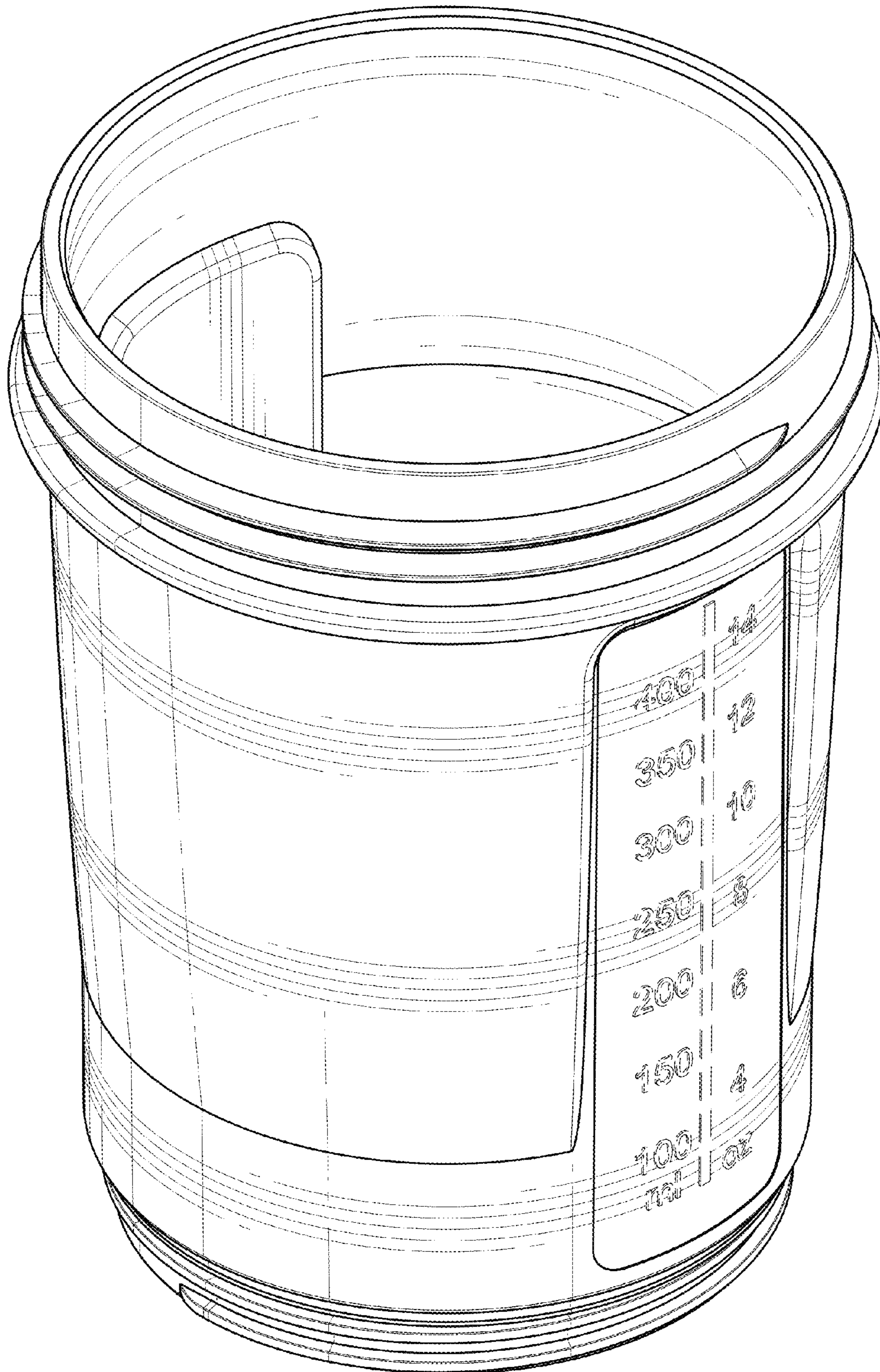


Fig. 1

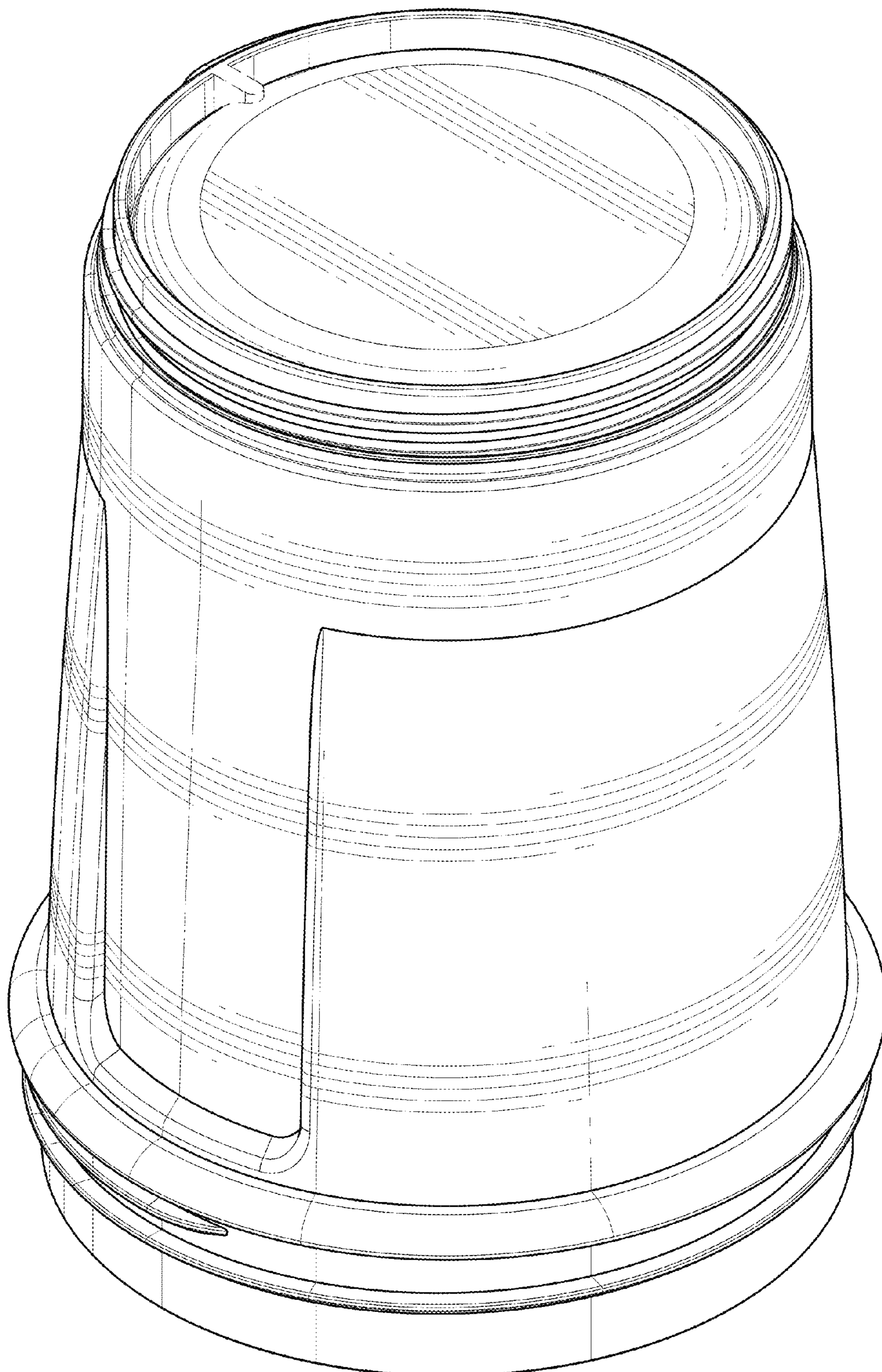


Fig. 2

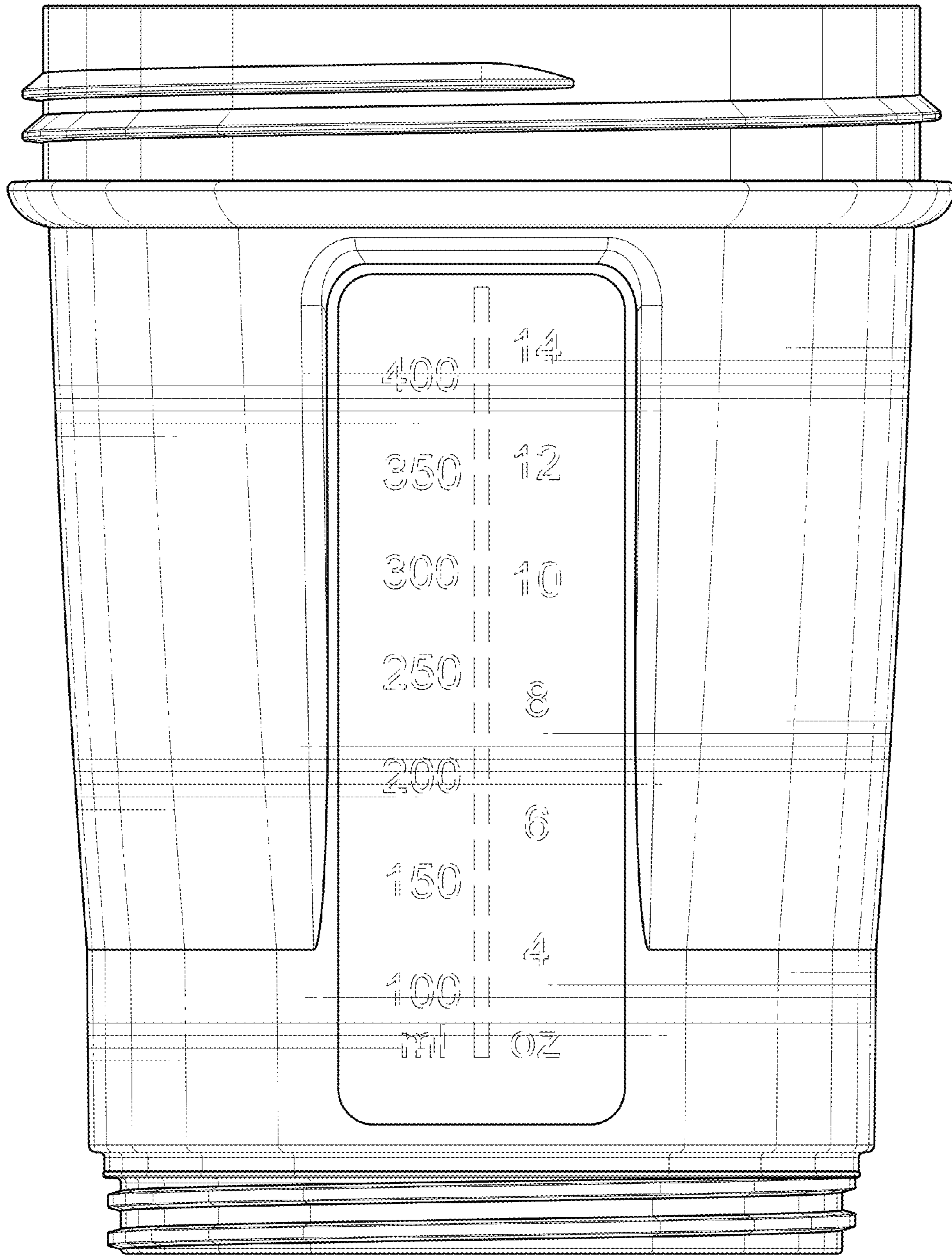


Fig. 3

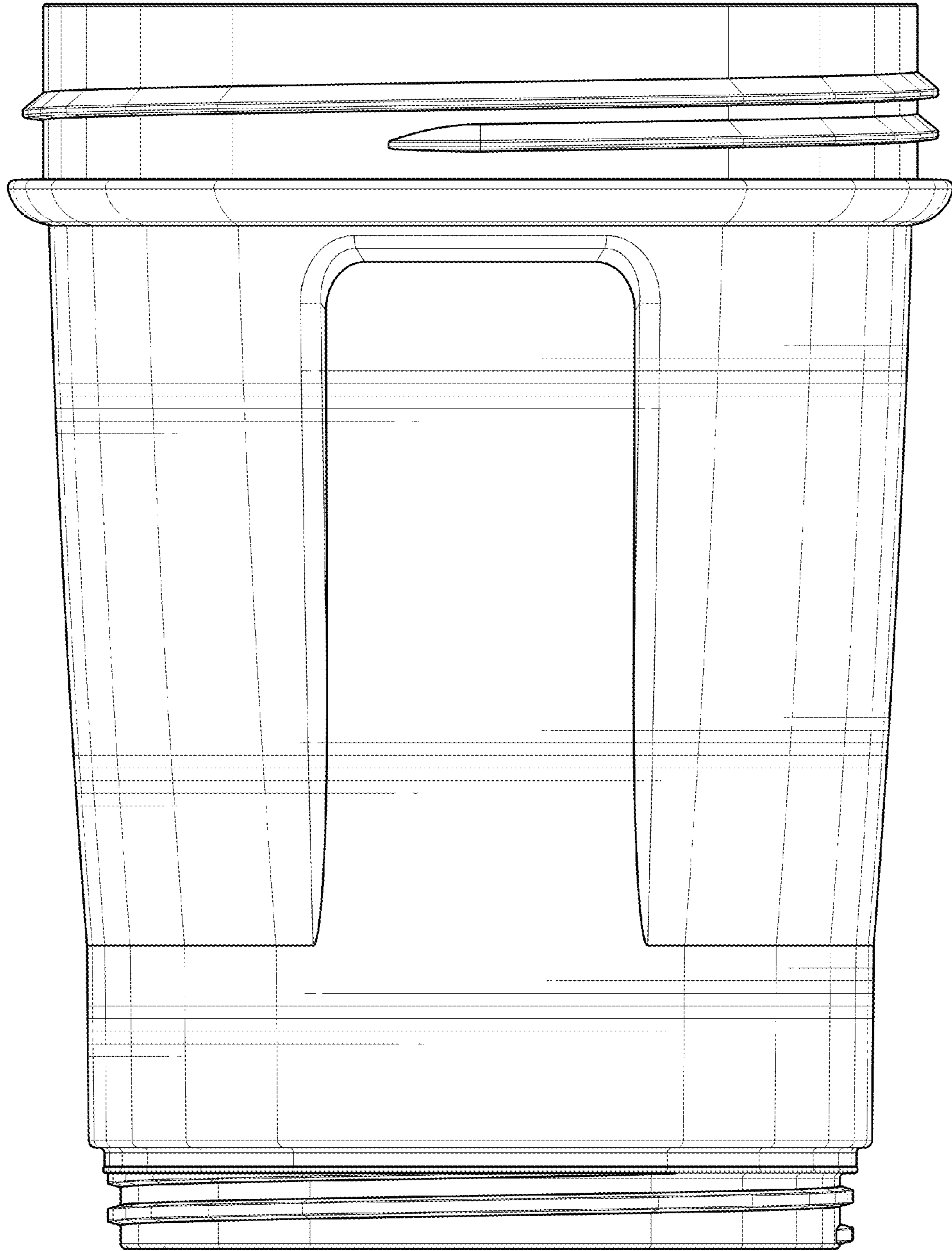


Fig. 4

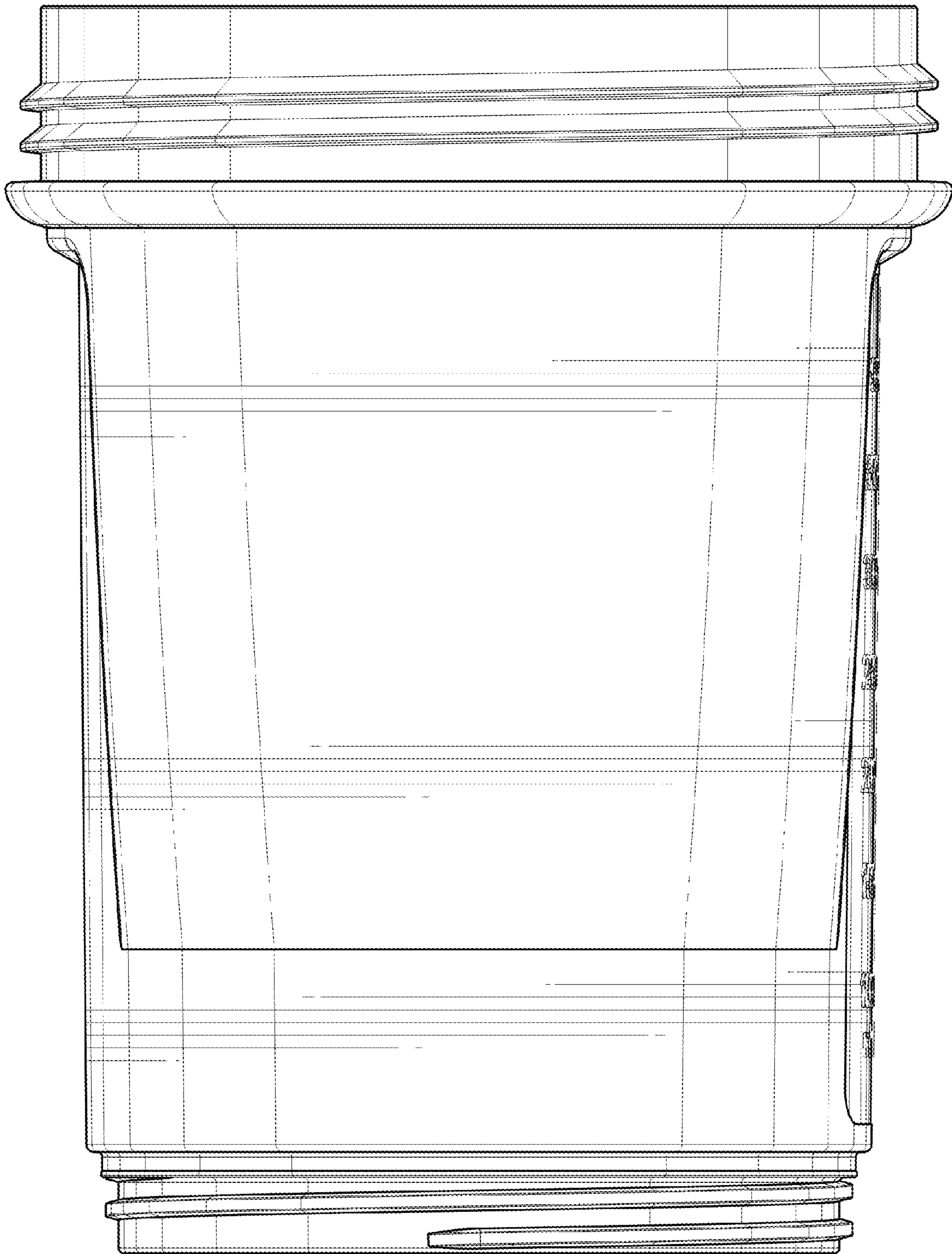


Fig. 5

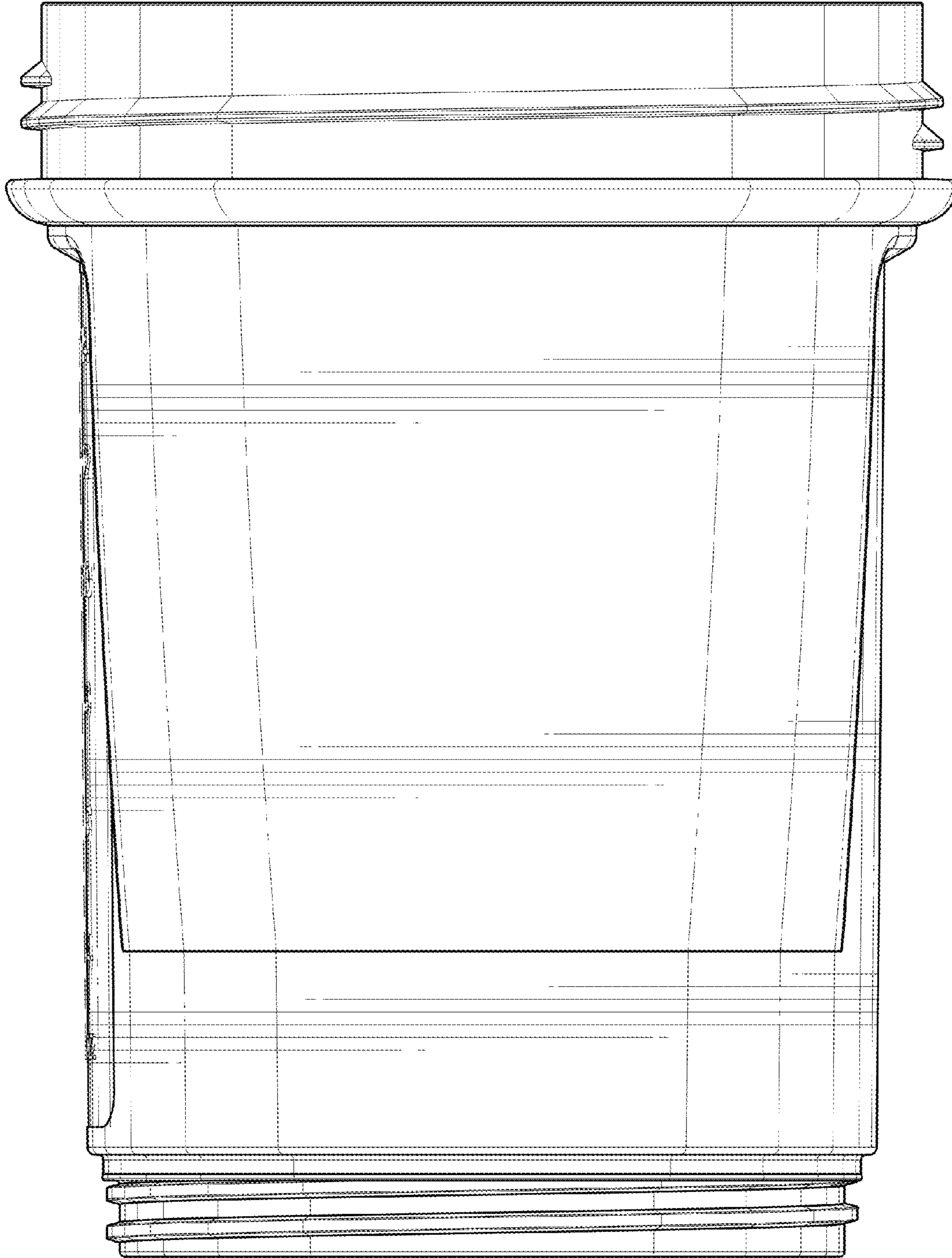


Fig. 6

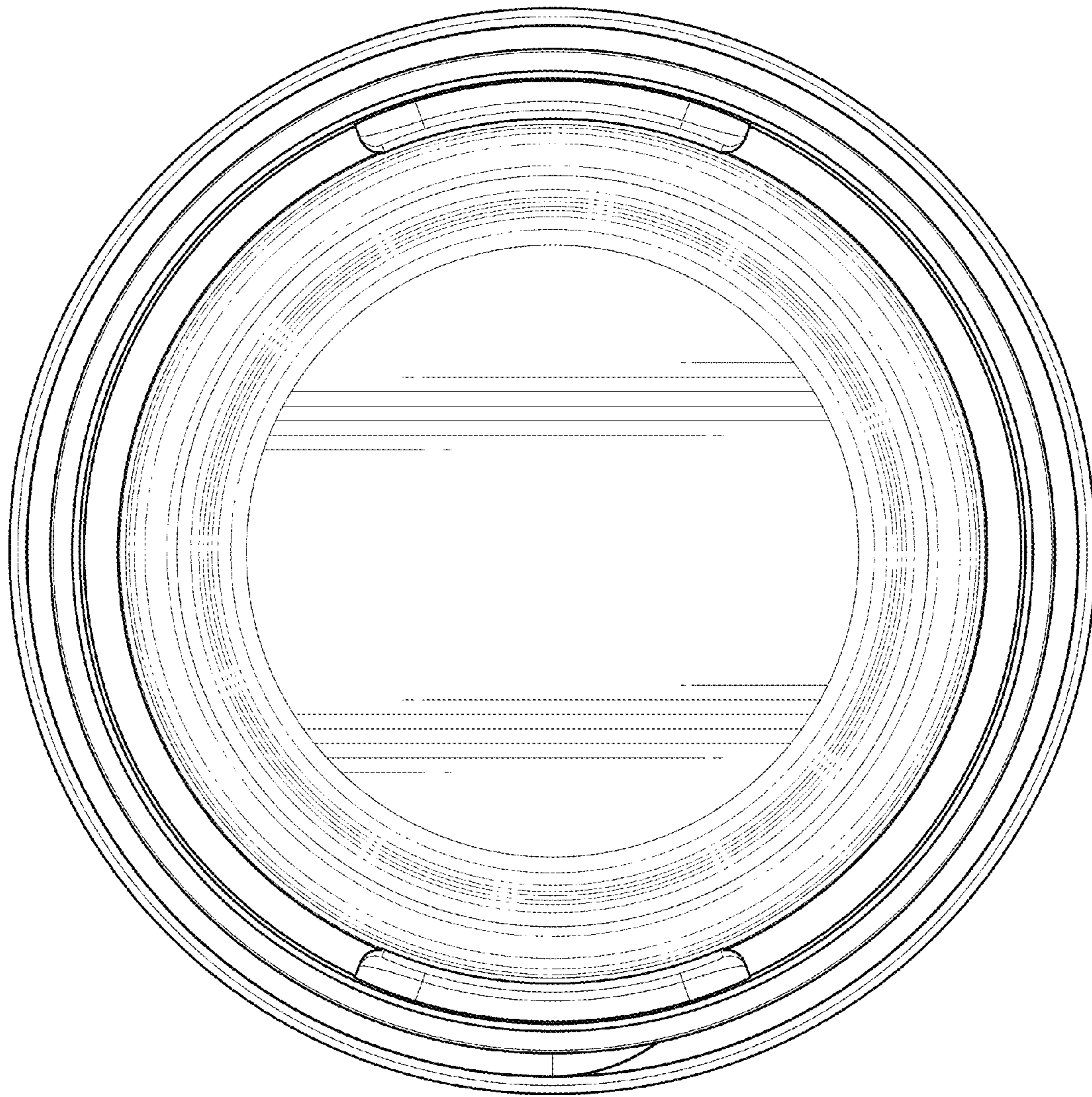


Fig. 7

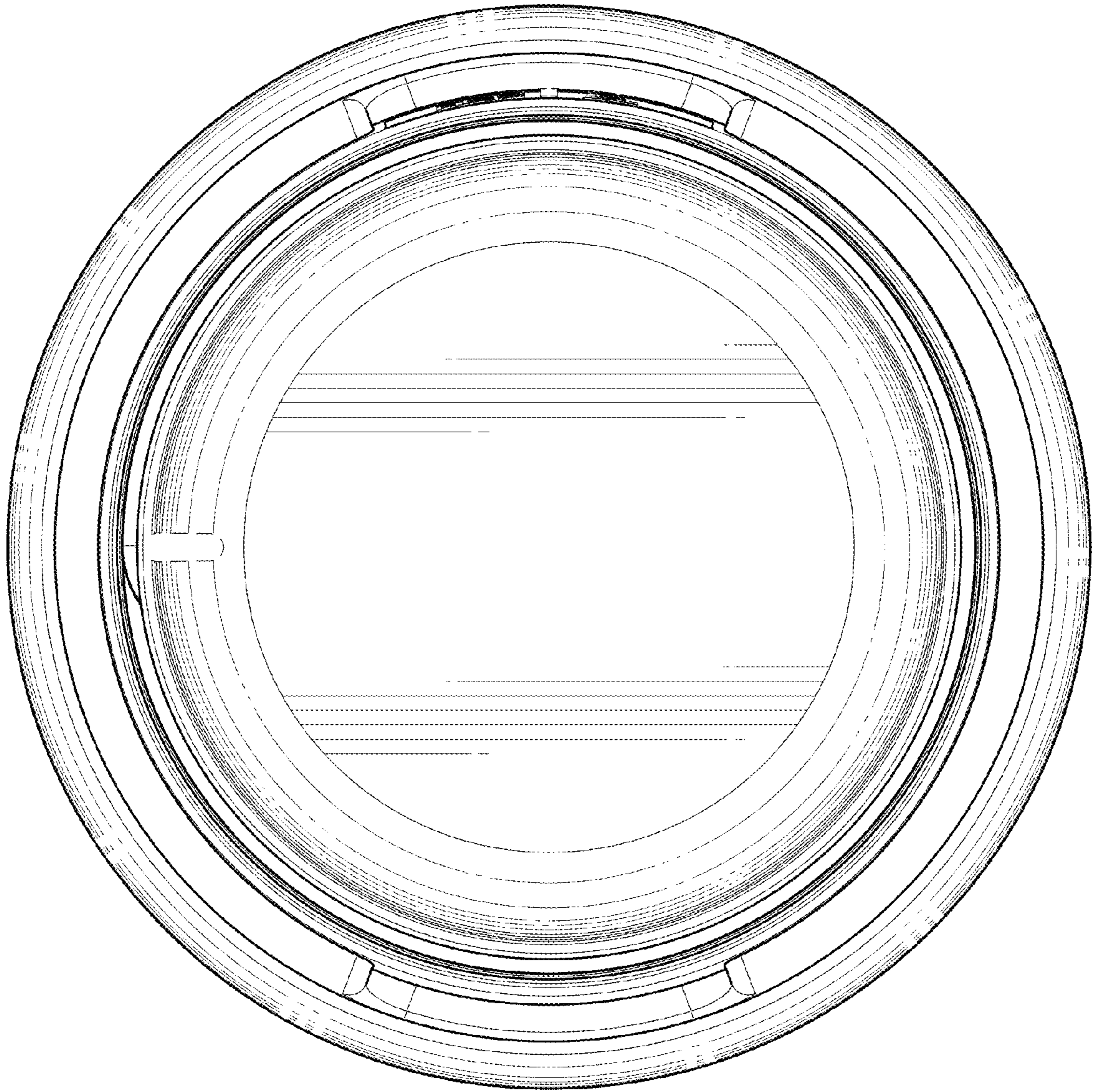


Fig. 8

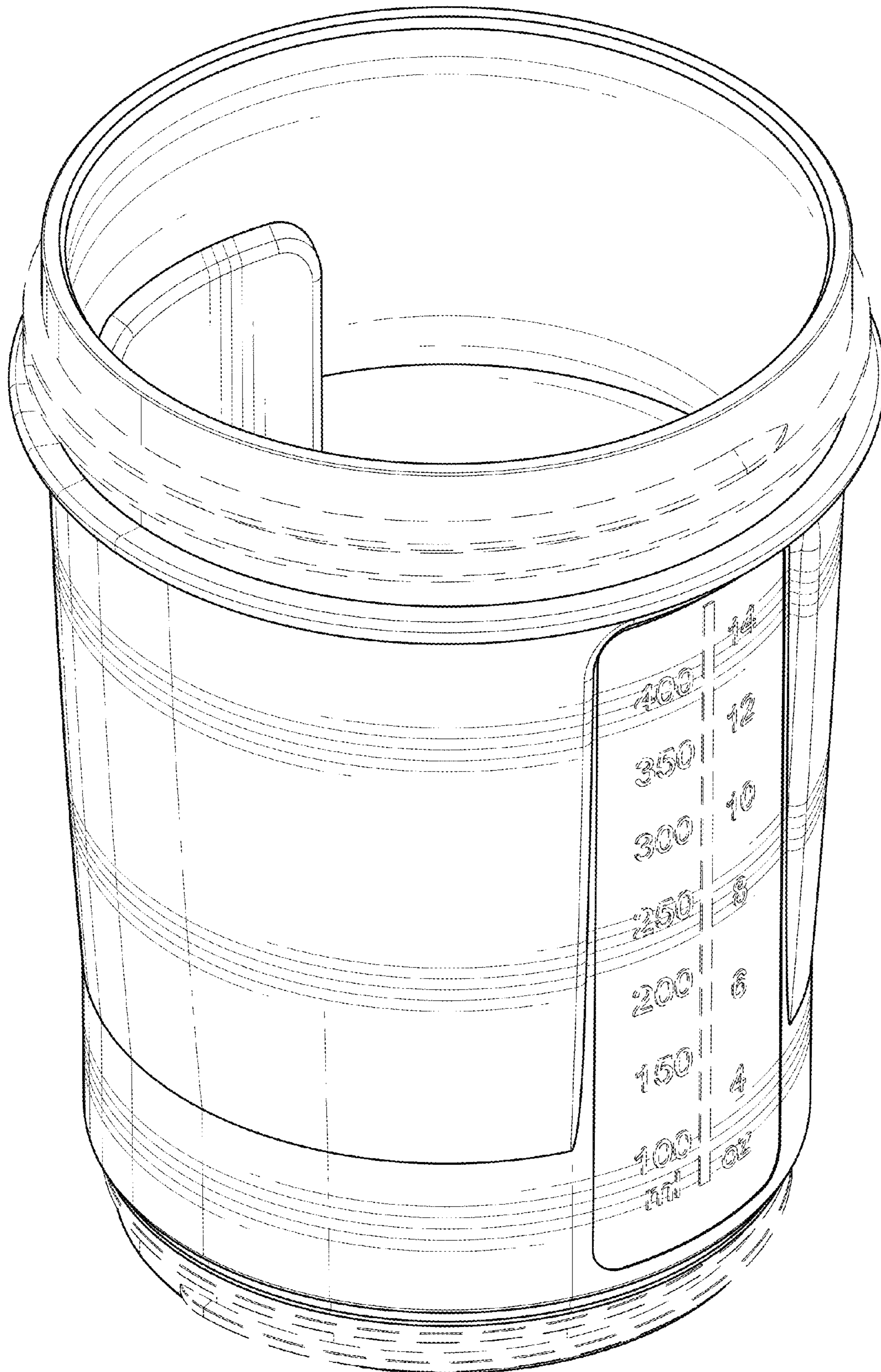


Fig. 9

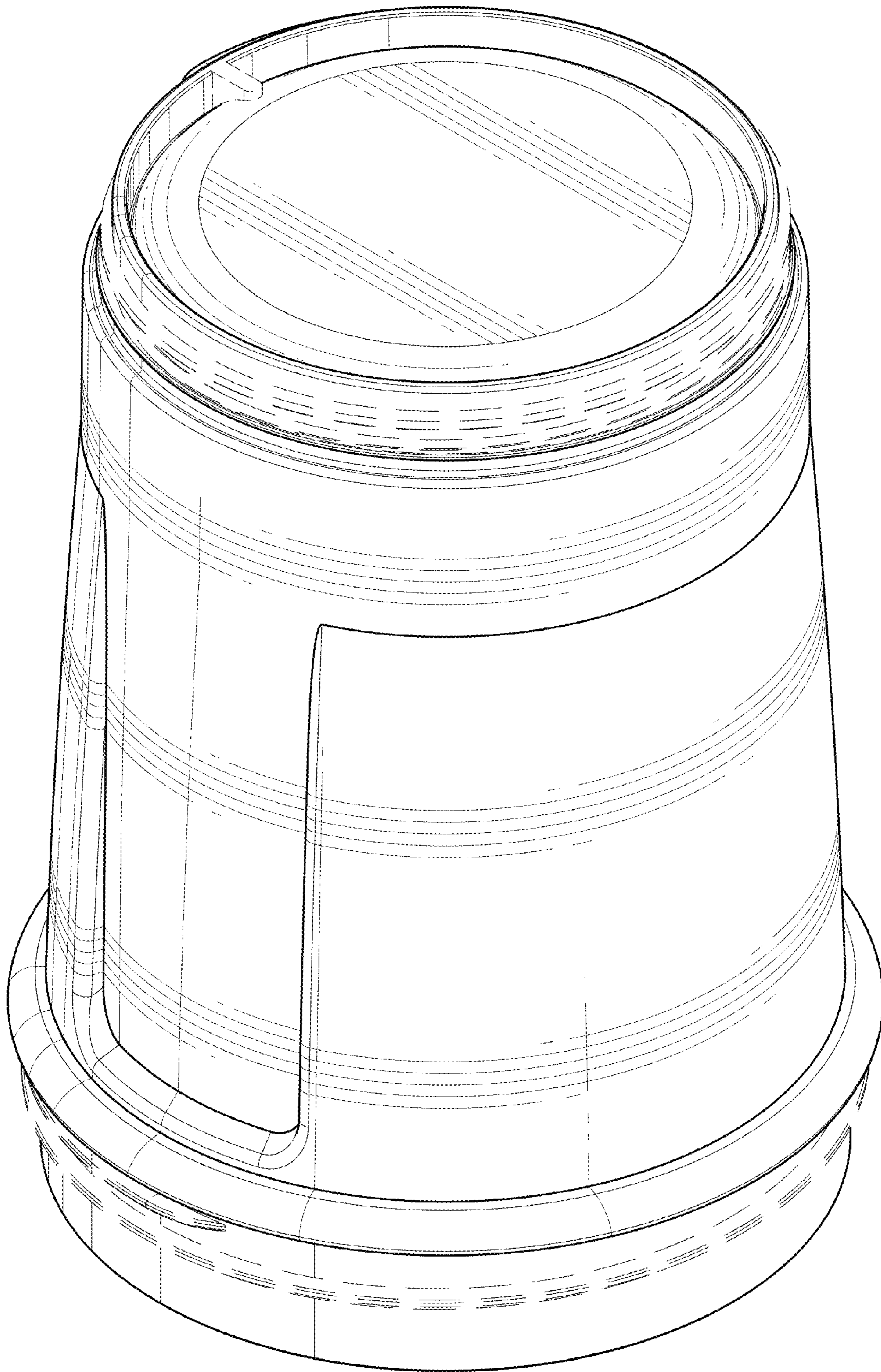


Fig. 10

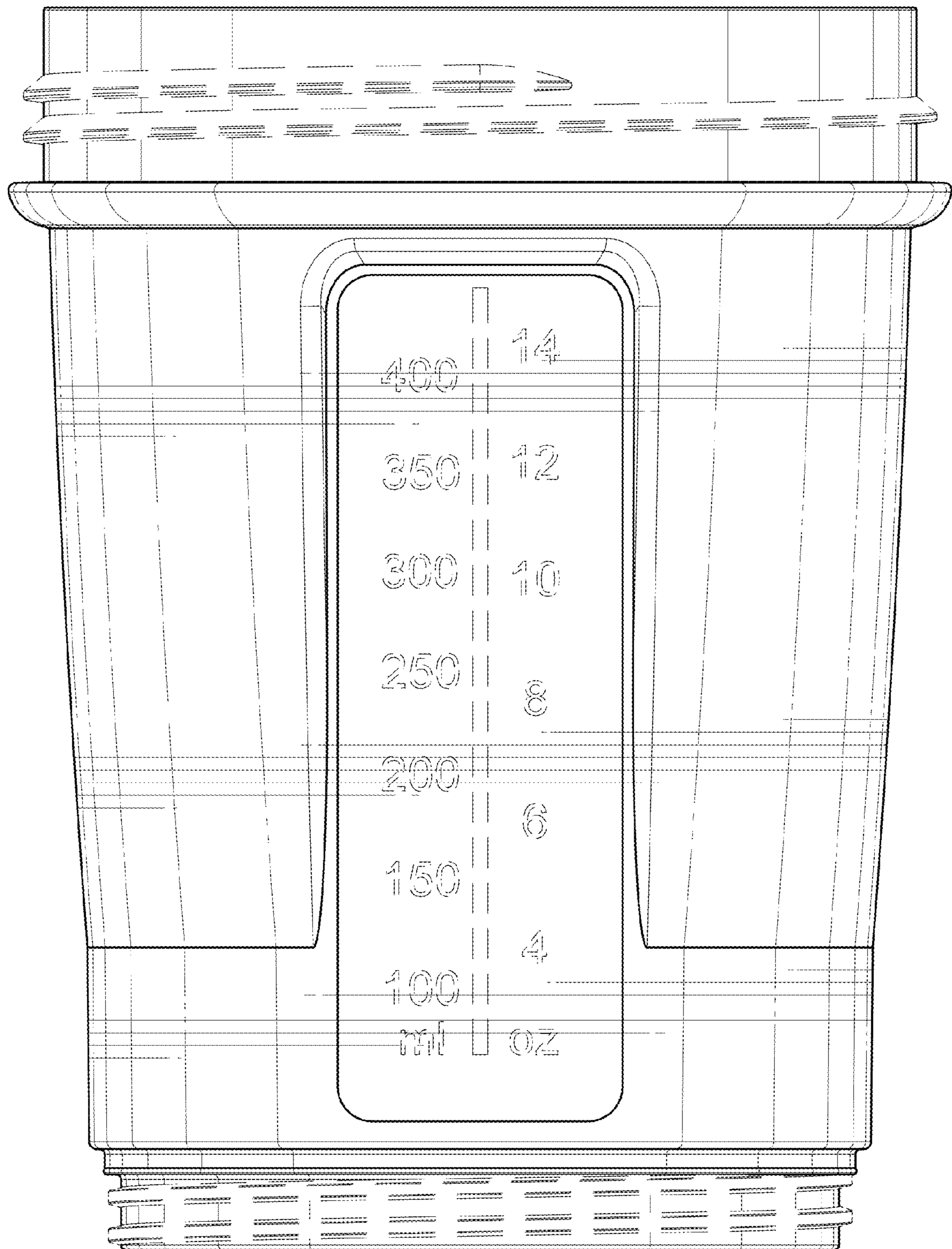


Fig. 11

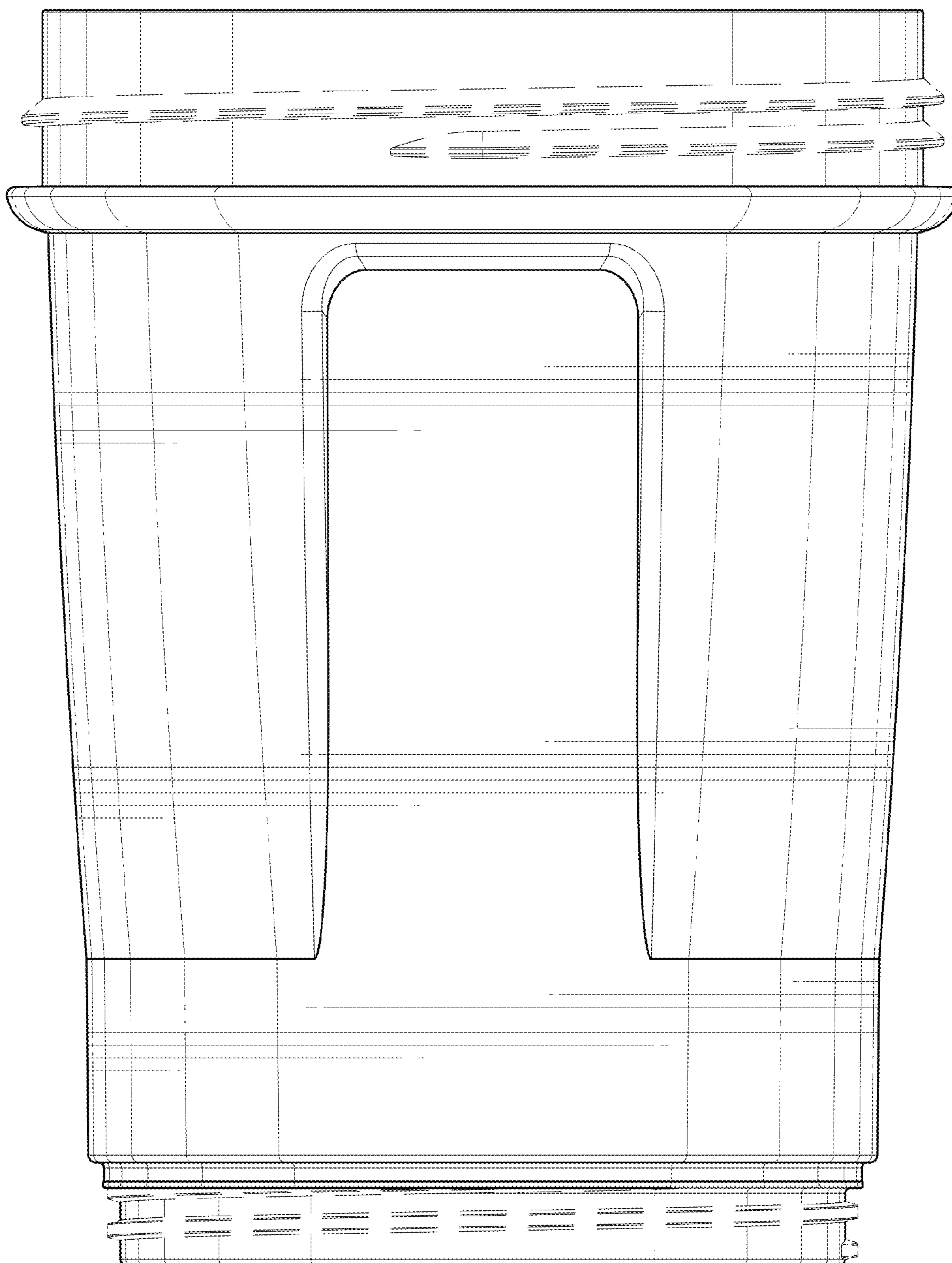


Fig. 12

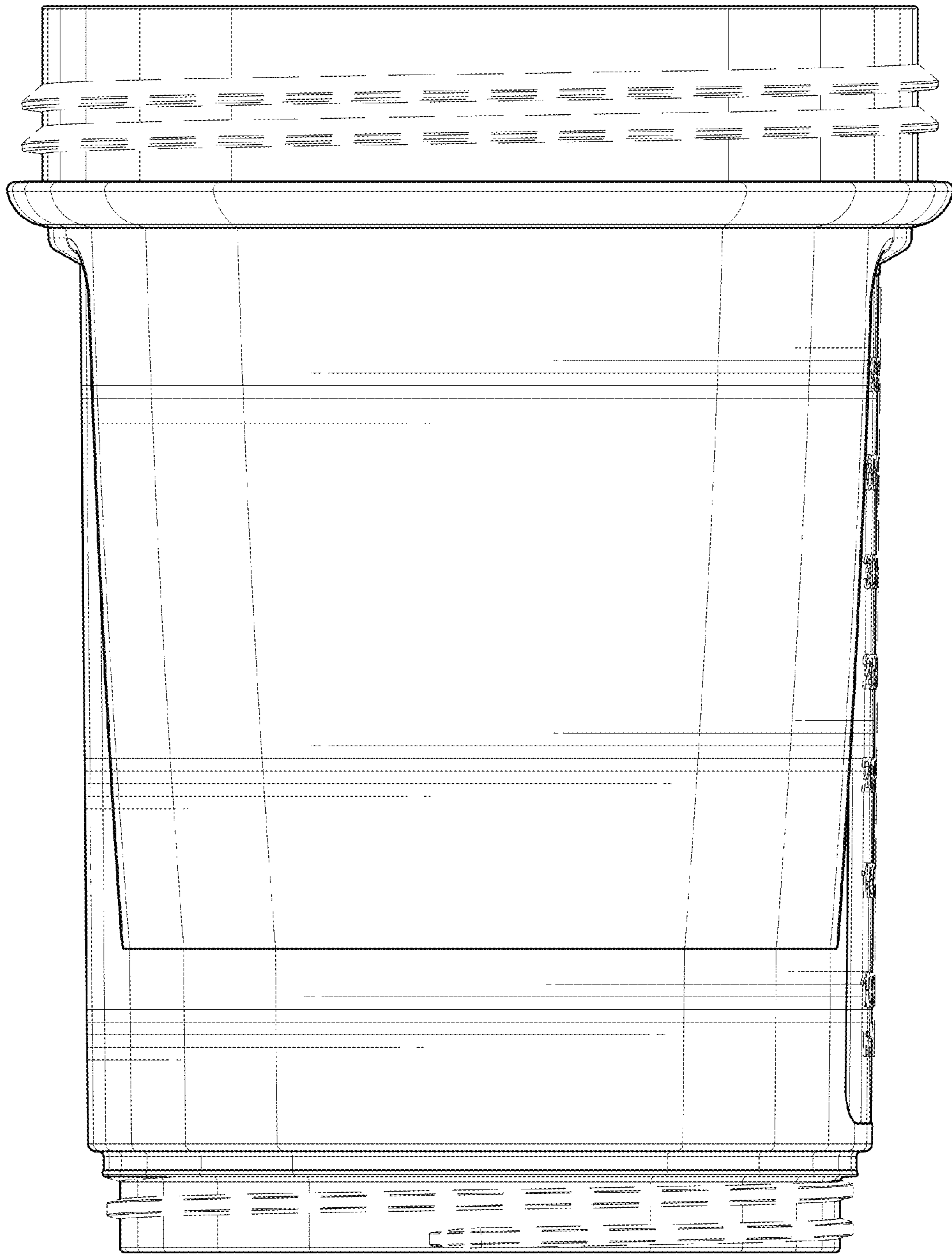


Fig. 13

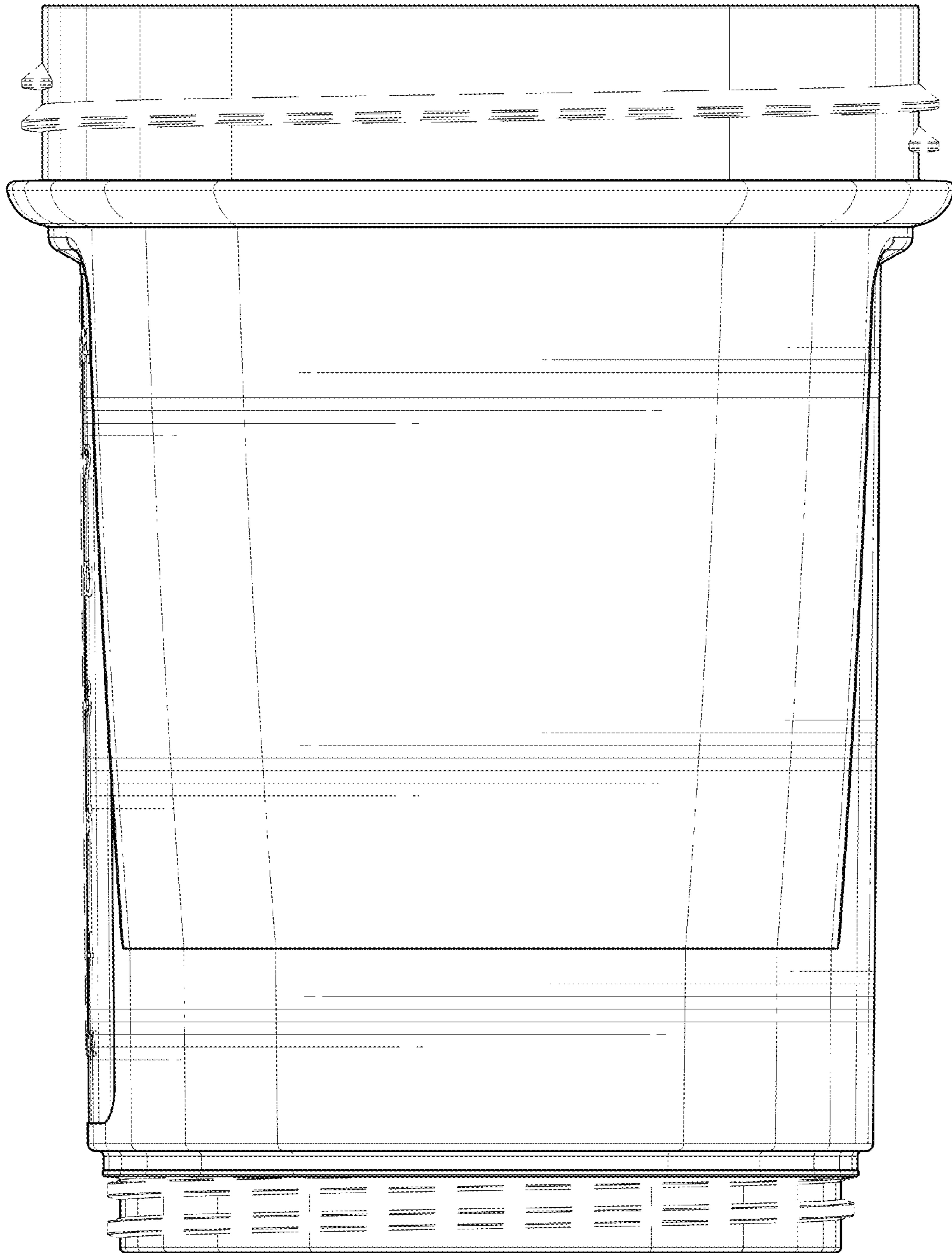


Fig. 14

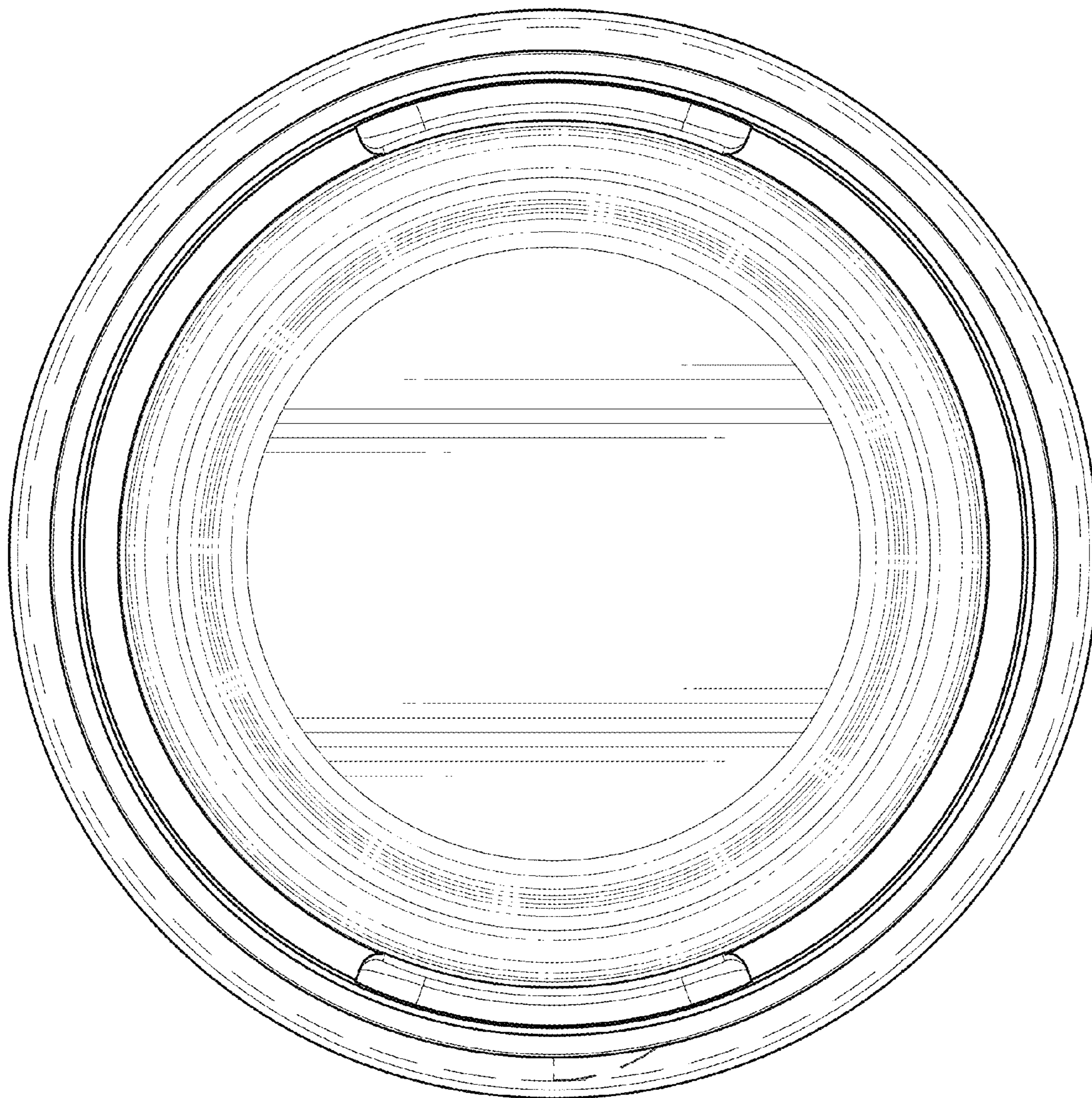


Fig. 15

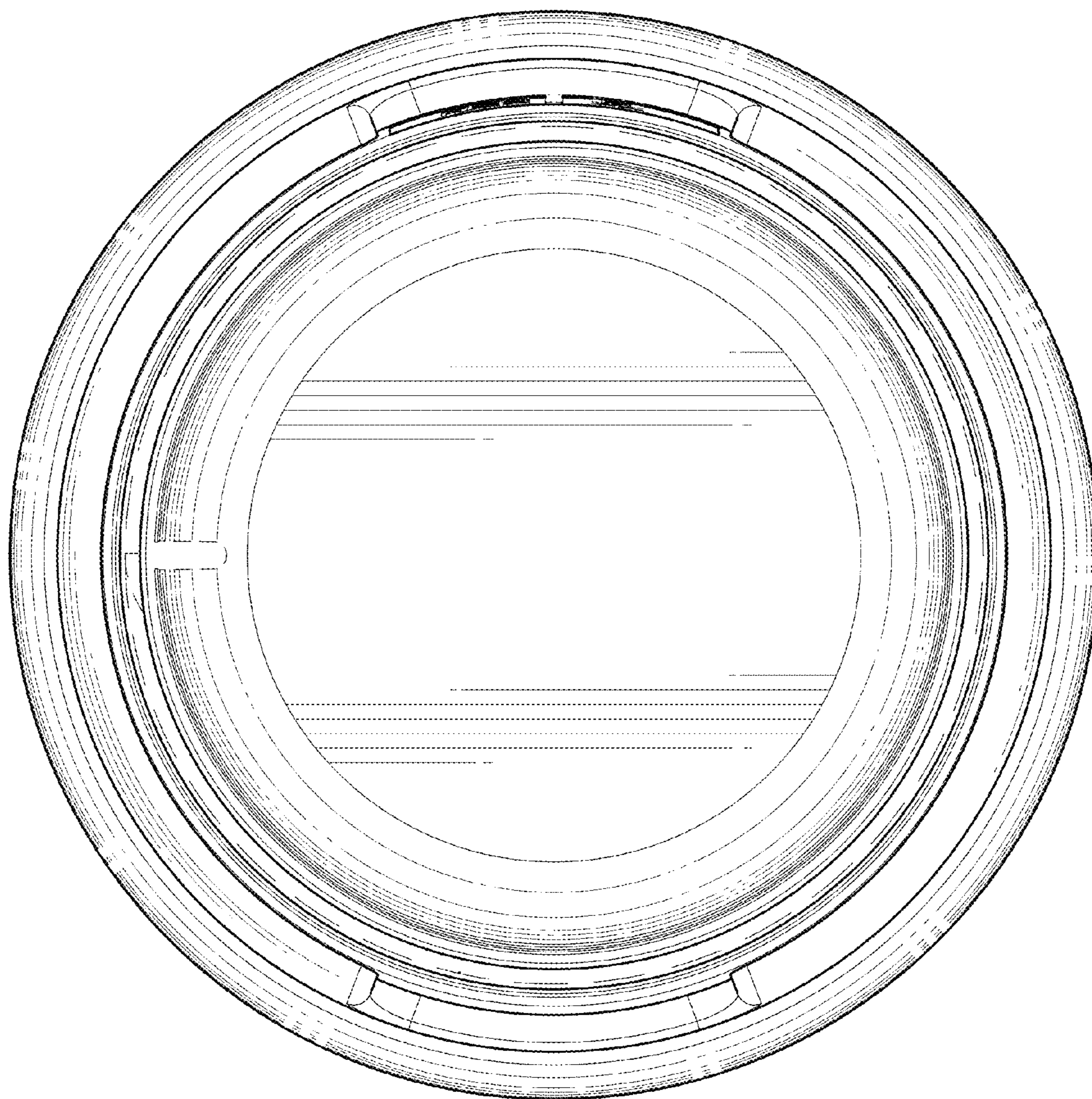


Fig. 16