



US00D733494S

(12) **United States Design Patent**
Funnell, II et al.

(10) **Patent No.:** **US D733,494 S**
(45) **Date of Patent:** **** Jul. 7, 2015**

(54) **RANGE PANEL**

(56) **References Cited**

(71) Applicant: **BSH Home Appliances Corporation**,
Irvine, CA (US)

U.S. PATENT DOCUMENTS

(72) Inventors: **Richard W. Funnell, II**, Corona del
Mar, CA (US); **Jonathan Grey**,
Huntersville, NC (US); **Graham**
Sadtler, Huntington Beach, CA (US)

D196,359 S *	9/1963	Rushtom	D25/55
D217,596 S *	5/1970	Johnston	D25/48.1
D304,542 S *	11/1989	Yoo	D7/351
D385,069 S *	10/1997	Hughes et al.	D32/3
D385,070 S *	10/1997	Hughes et al.	D32/3
D385,071 S *	10/1997	Hughes et al.	D32/3
D475,569 S *	6/2003	Nichols	D7/340
D486,349 S *	2/2004	Nichols	D7/340
D525,476 S *	7/2006	Bengtson et al.	D7/349
D527,948 S *	9/2006	Bengtson	D7/405
D544,657 S *	6/2007	Jung et al.	D32/2
D615,344 S *	5/2010	Grey et al.	D7/340
D615,800 S *	5/2010	Grey et al.	D7/340
D616,695 S *	6/2010	Grey et al.	D7/340
D617,133 S *	6/2010	Grey et al.	D7/340
D654,274 S *	2/2012	Krawczyk	D6/300
D656,776 S *	4/2012	Funnell et al.	D7/340
D669,729 S *	10/2012	Funnell et al.	D7/340
D670,527 S *	11/2012	Kim et al.	D7/340
D678,721 S *	3/2013	Roberson et al.	D7/405
D696,069 S *	12/2013	Roberson et al.	D7/405
D700,469 S *	3/2014	Reay et al.	D7/340
D710,644 S *	8/2014	Kim et al.	D7/340

(73) Assignee: **BSH Home Appliances Corporation**,
Irvine, CA (US)

(**) Term: **14 Years**

(21) Appl. No.: **29/468,887**

(22) Filed: **Oct. 4, 2013**

Related U.S. Application Data

(62) Division of application No. 29/450,598, filed on Mar. 20, 2013, now Pat. No. Des. 697,755, which is a division of application No. 29/425,868, filed on Jun. 28, 2012, now Pat. No. Des. 684,422, which is a division of application No. 29/409,181, filed on Dec. 21, 2011, now Pat. No. Des. 668,105, which is a division of application No. 29/389,416, filed on Apr. 12, 2011, now Pat. No. Des. 656,776.

(51) **LOC (10) Cl.** **07-02**

(52) **U.S. Cl.**
USPC **D7/405**

(58) **Field of Classification Search**
USPC D7/339-341, 346-349, 402-408, 351;
126/39 R, 39 F, 39 C, 39 B, 211, 214 R;
219/391-392, 395; D25/55, 48.1;
D32/2, 3, 6, 8; D6/300; D15/81;
D23/354, 370-371, 386-388, 392
See application file for complete search history.

* cited by examiner

Primary Examiner — T. Chase Nelson

Assistant Examiner — Mark Cavanna

(74) *Attorney, Agent, or Firm* — James E. Howard; Andre Pallapies

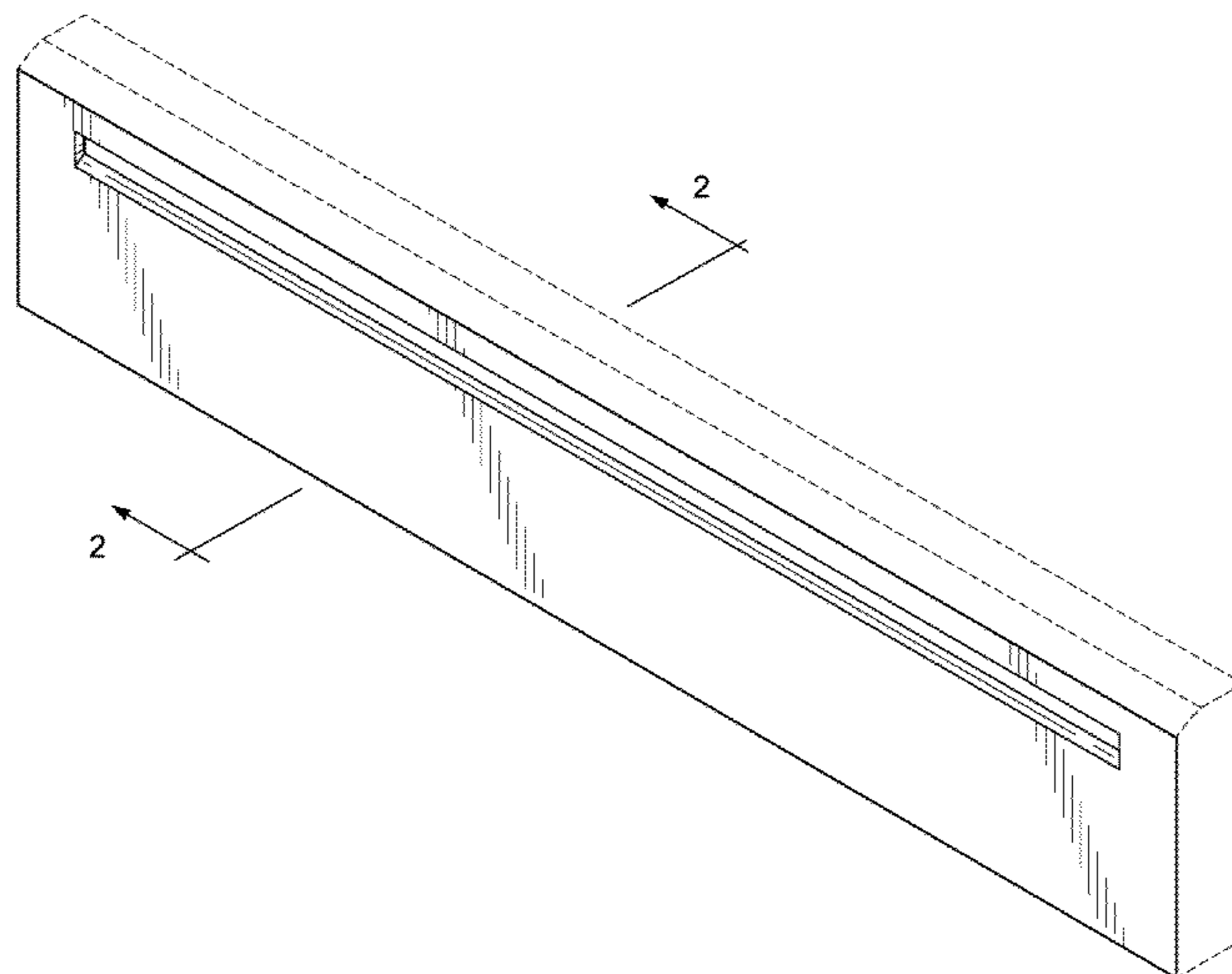
(57) **CLAIM**

The ornamental design for a range panel, as shown and described.

DESCRIPTION

FIG. 1 is a front perspective view of a range panel according to our new ornamental design; FIG. 2 is a cross-section taken along lines 2-2 of FIG. 1; and, FIG. 3 is a front view thereof. The broken lines represent environment or structure of the range panel and do not form any part of the claimed design.

1 Claim, 2 Drawing Sheets



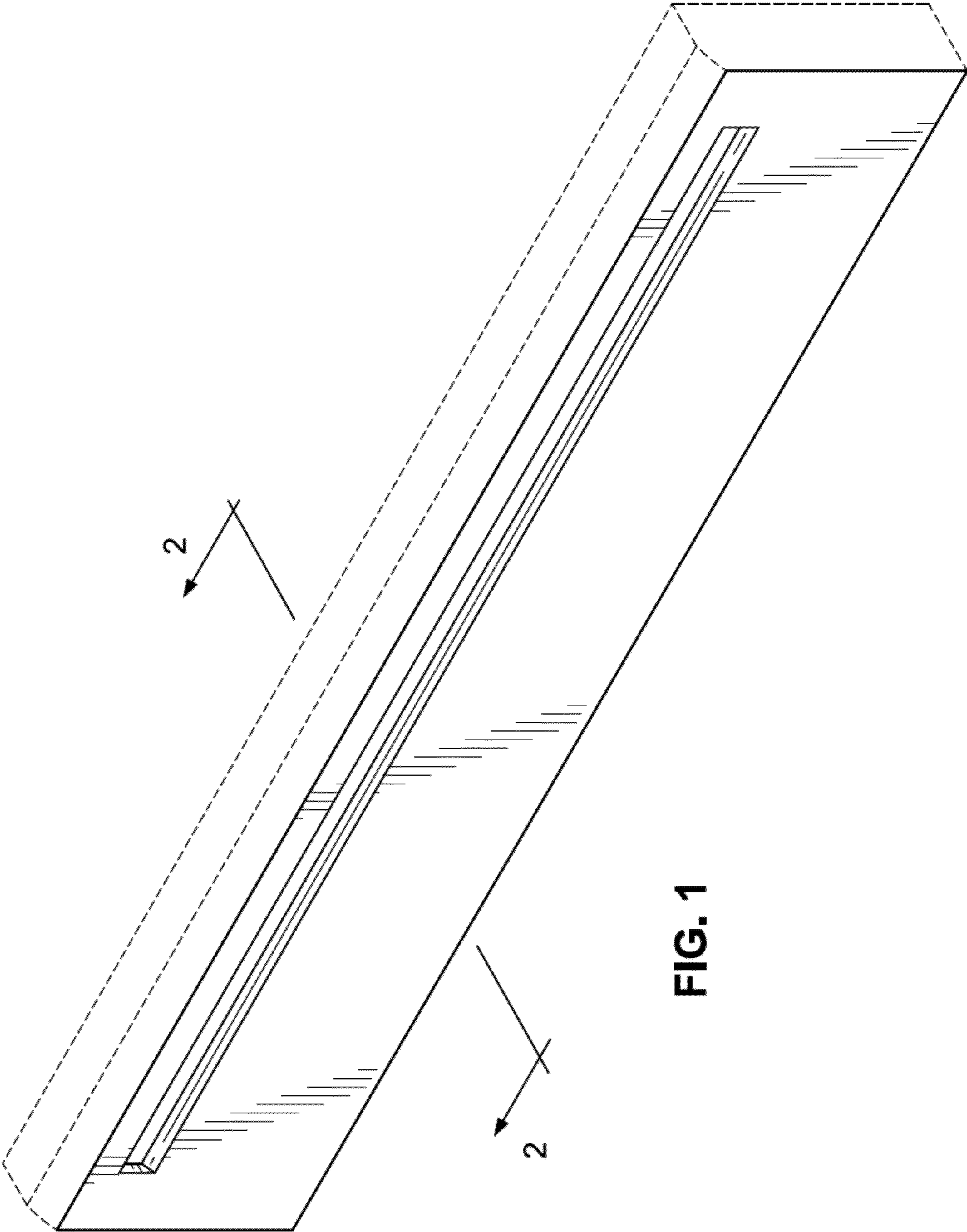


FIG. 1

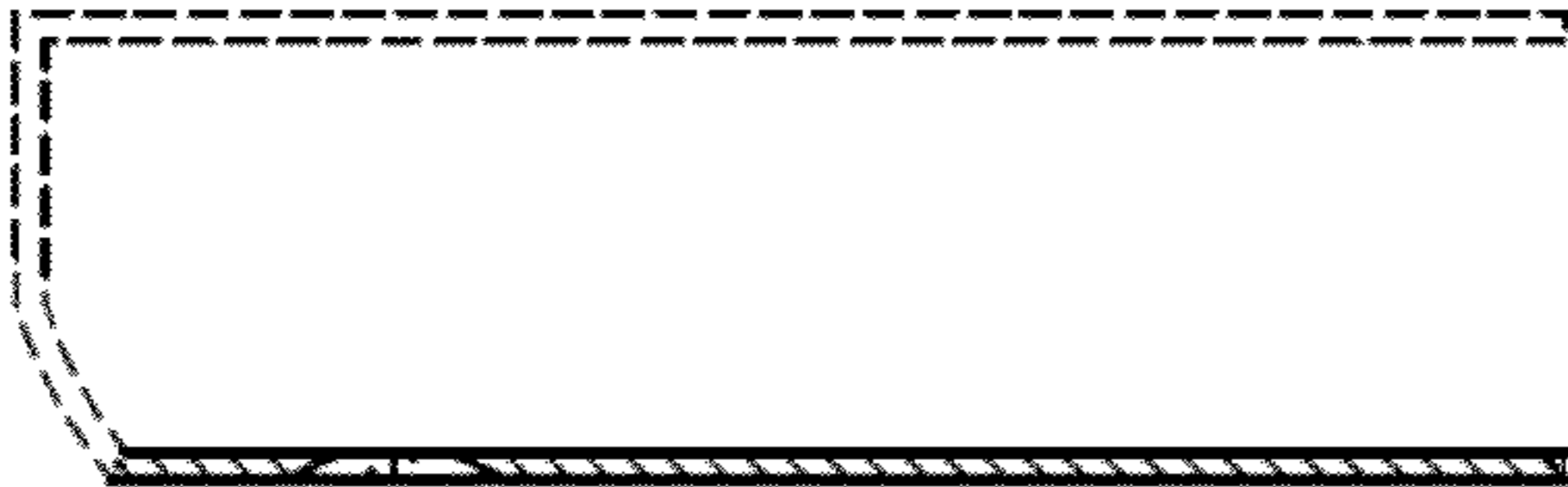


FIG. 2

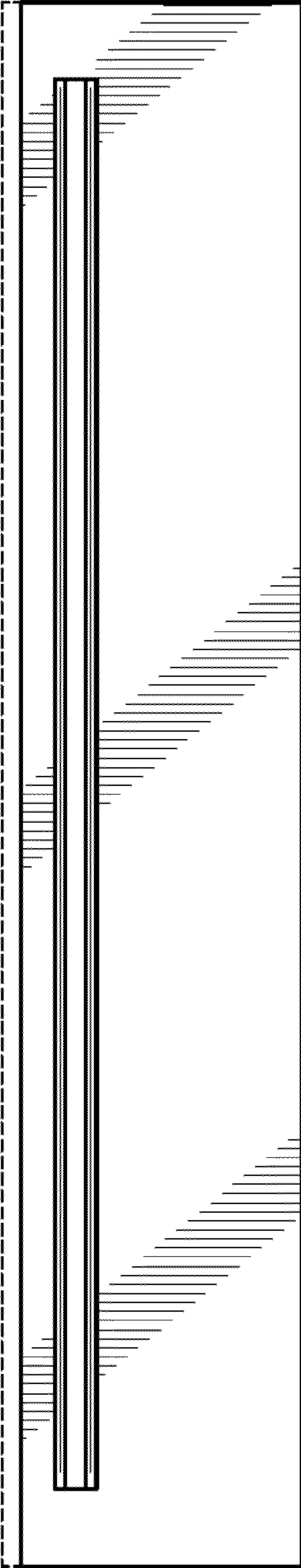


FIG. 3