



US00D733493S

(12) **United States Design Patent**
Barberi

(10) **Patent No.:** **US D733,493 S**
(45) **Date of Patent:** **** Jul. 7, 2015**

- (54) **COOKWARE LID HANDLE**
- (71) Applicant: **Meyer Intellectual Properties Limited, Kowloon (HK)**
- (72) Inventor: **Philip D. Barberi, San Ramon, CA (US)**
- (73) Assignee: **Meyer Intellectual Properties Limited (VG)**
- (**) Term: **14 Years**
- (21) Appl. No.: **29/499,473**
- (22) Filed: **Aug. 15, 2014**
- (51) **LOC (10) Cl.** **07-02**
- (52) **U.S. Cl.**
USPC **D7/393**
- (58) **Field of Classification Search**
USPC D7/354-358, 359-361, 391, 393, 402, D7/405, 406, 682; D8/107, 307, 300, 310, D8/311, 314; D13/171, 174; 16/110 R, 16/114 R, 118, 121, 309, 311, 312, 315, 16/320, 430, 431, 441; 74/548, 553, 74/558.5; 200/18, 61.8, 336-338, 200/564-570; 220/573.1-573.5, 752, 753, 220/755, 912; D9/439
CPC A47J 45/063; A47J 45/074
See application file for complete search history.

- (56) **References Cited**
U.S. PATENT DOCUMENTS
D284,444 S * 7/1986 Baumgarten D7/393
D376,726 S * 12/1996 Rohrer D7/393
D401,834 S * 12/1998 Burns et al. D8/310

- D438,755 S * 3/2001 Rae D7/393
- D443,174 S * 6/2001 Rae D7/393
- D451,339 S * 12/2001 Munari D7/393
- D452,413 S * 12/2001 Rae D7/393
- D493,060 S * 7/2004 Pippel et al. D7/393
- D560,110 S * 1/2008 Ricereto D8/310
- D560,964 S * 2/2008 Hoff D7/393
- D592,484 S * 5/2009 Ricereto D8/310
- D687,672 S * 8/2013 Rae D7/393

* cited by examiner

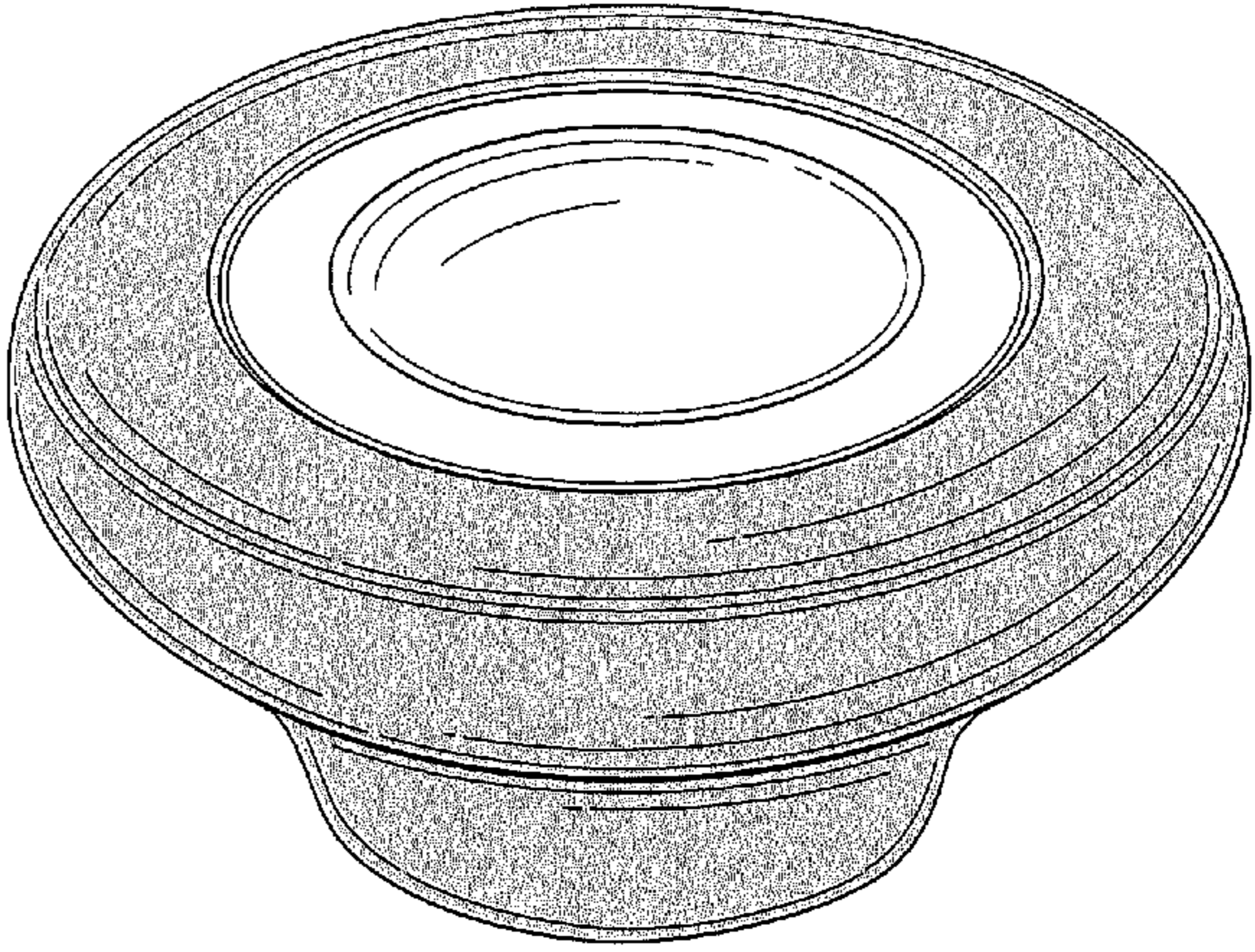
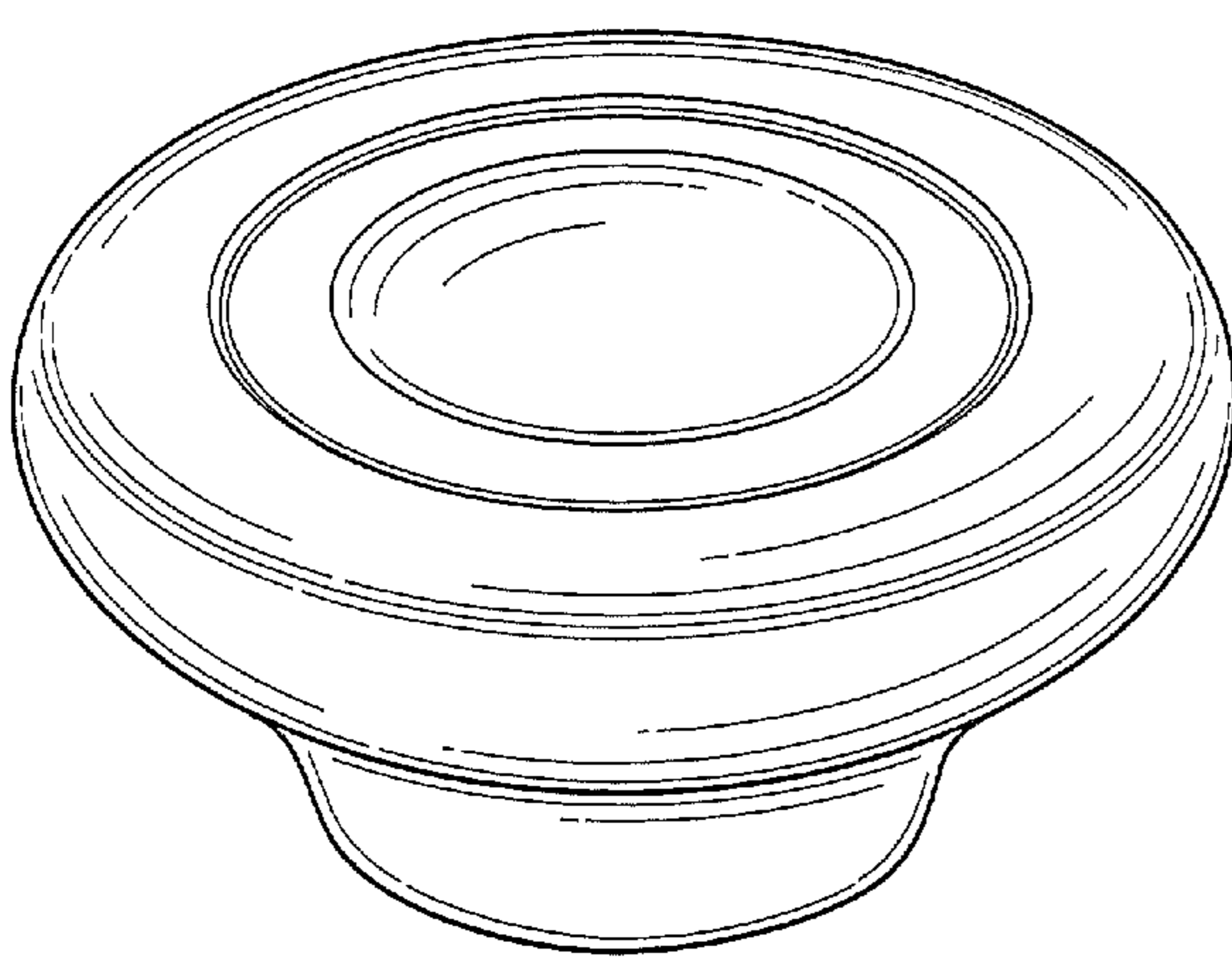
Primary Examiner — Cynthia M Chin
(74) *Attorney, Agent, or Firm* — Miller Canfield

(57) **CLAIM**
The ornamental design for a cookware lid handle, as shown and described.

DESCRIPTION

FIG. 1 is a perspective view of a first embodiment of the cookware lid handle showing my new design; FIG. 2 is a right side elevation view thereof, the left side elevation view being the mirror image thereof; FIG. 3 is a top plan view thereof; FIG. 4 is a bottom plan view thereof; FIG. 5 is a perspective view of a second embodiment of the cookware lid handle showing my new design; FIG. 6 is a right side elevation view of the second embodiment; the left side elevation view being the mirror image thereof; FIG. 7 is a top plan view of the second embodiment; and, FIG. 8 is a bottom plan view of the second embodiment. The broken lines in FIGS. 4 and 8 are for illustrative purposes only, depicting the environment of the new design, forming no part thereof as claimed.

1 Claim, 8 Drawing Sheets



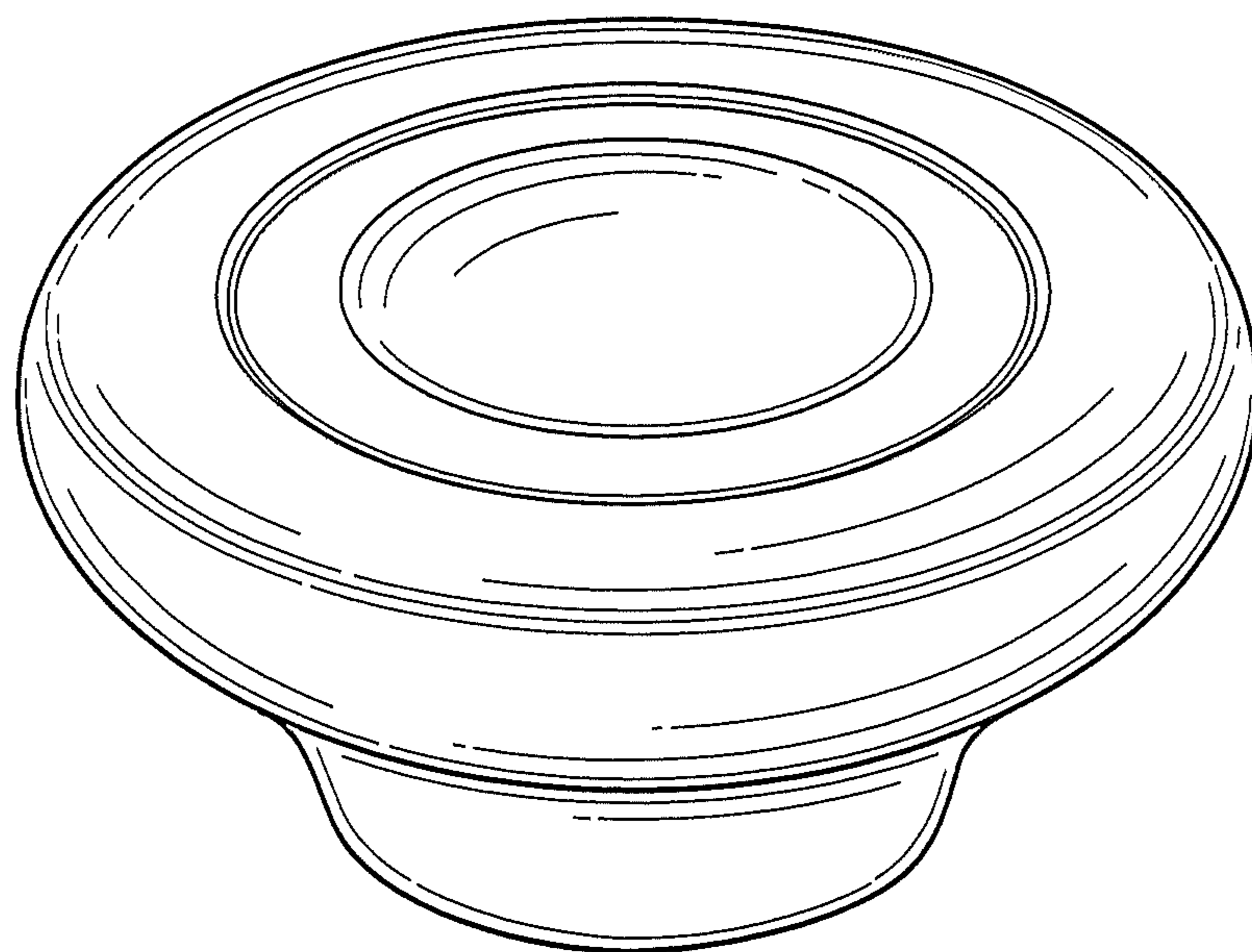


FIG. 1

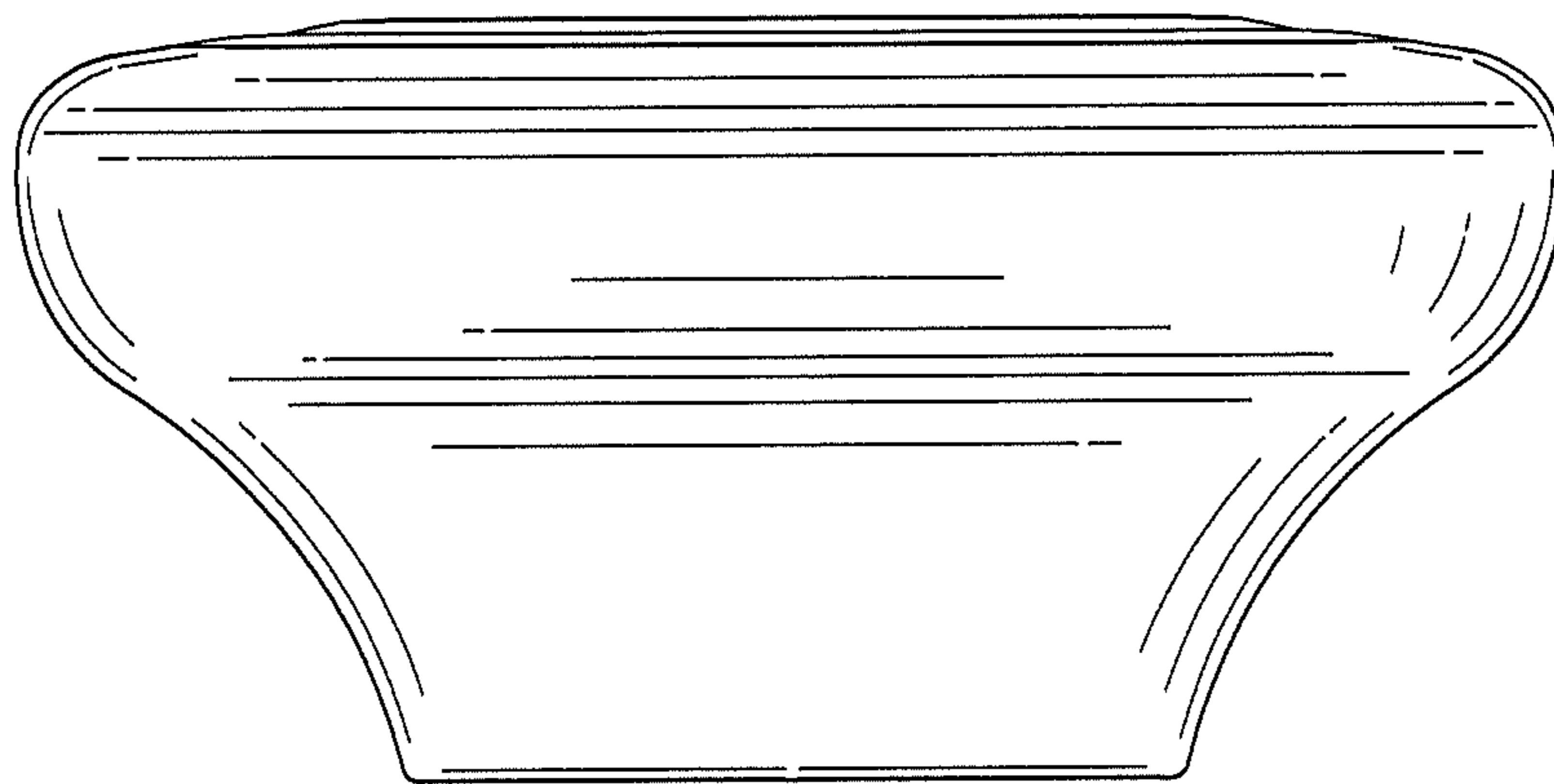


FIG. 2

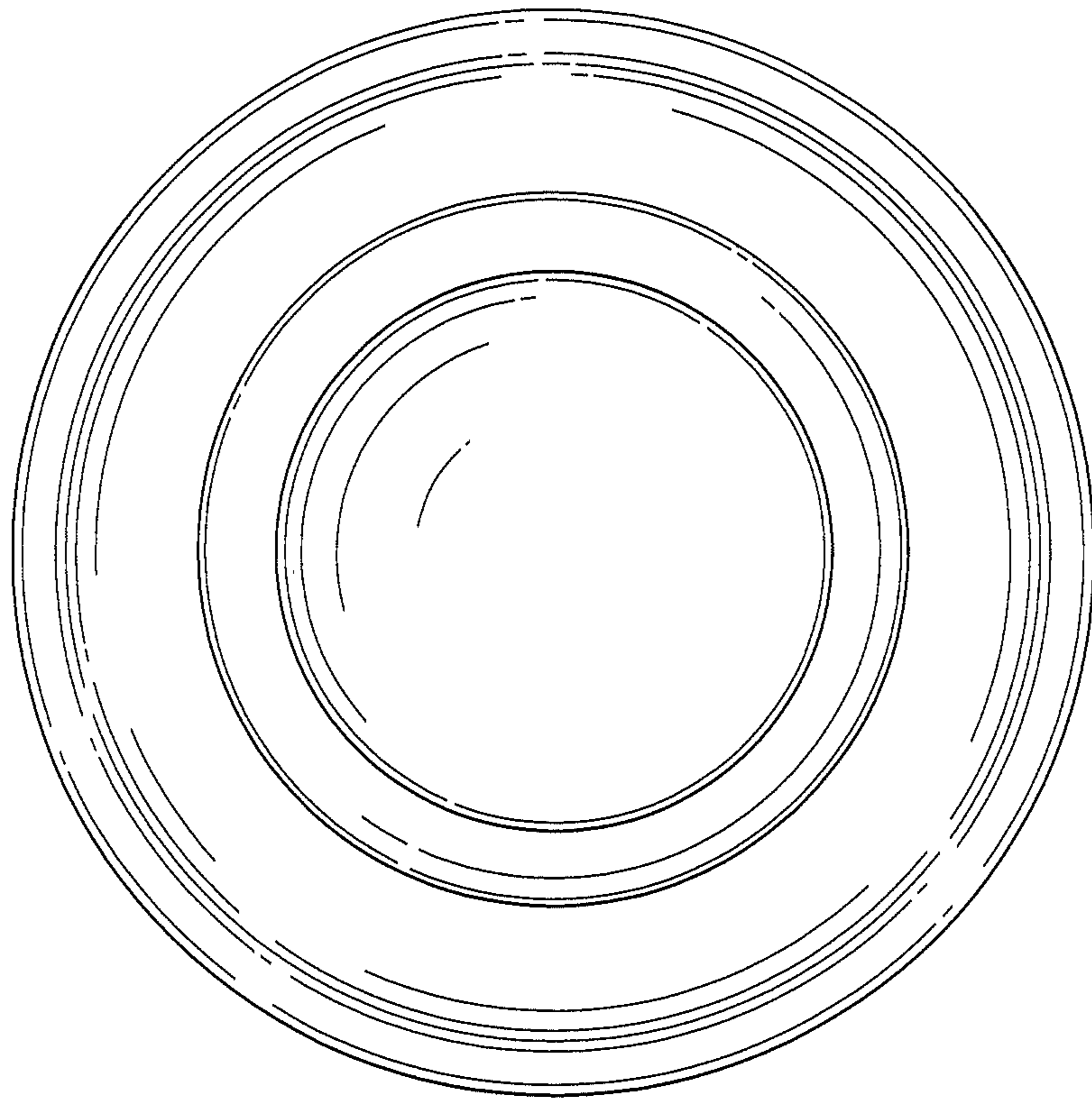


FIG. 3

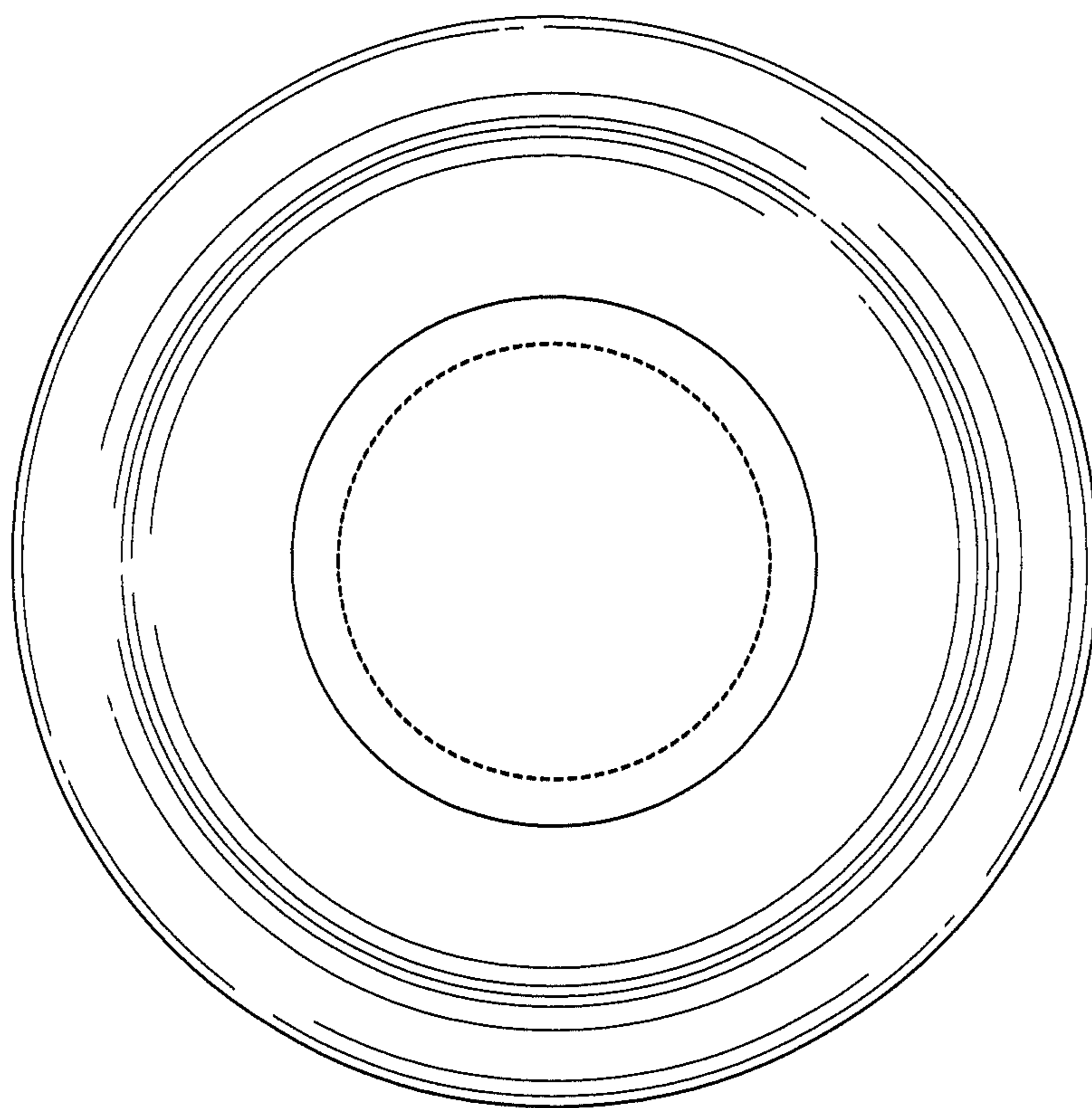


FIG. 4

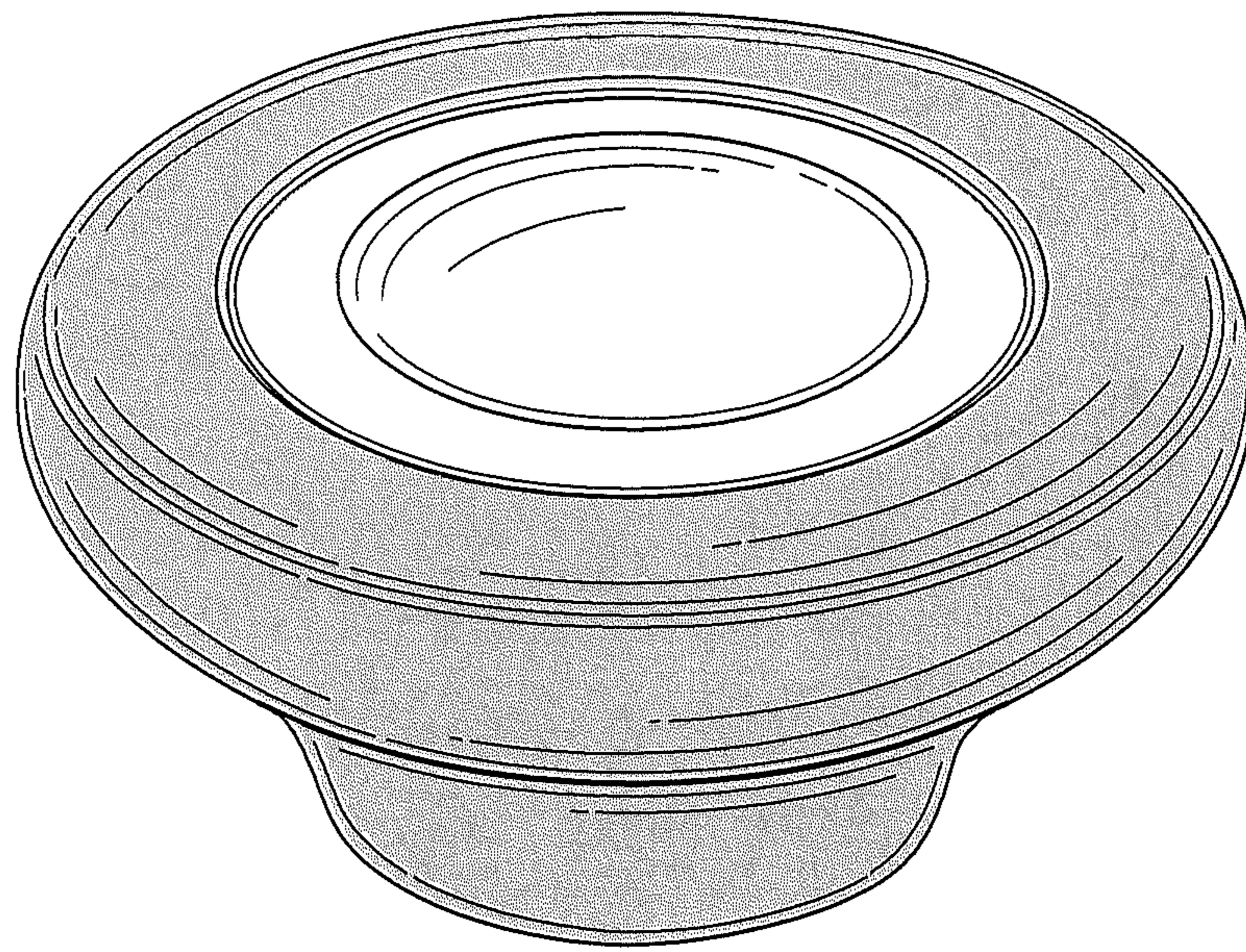


FIG. 5

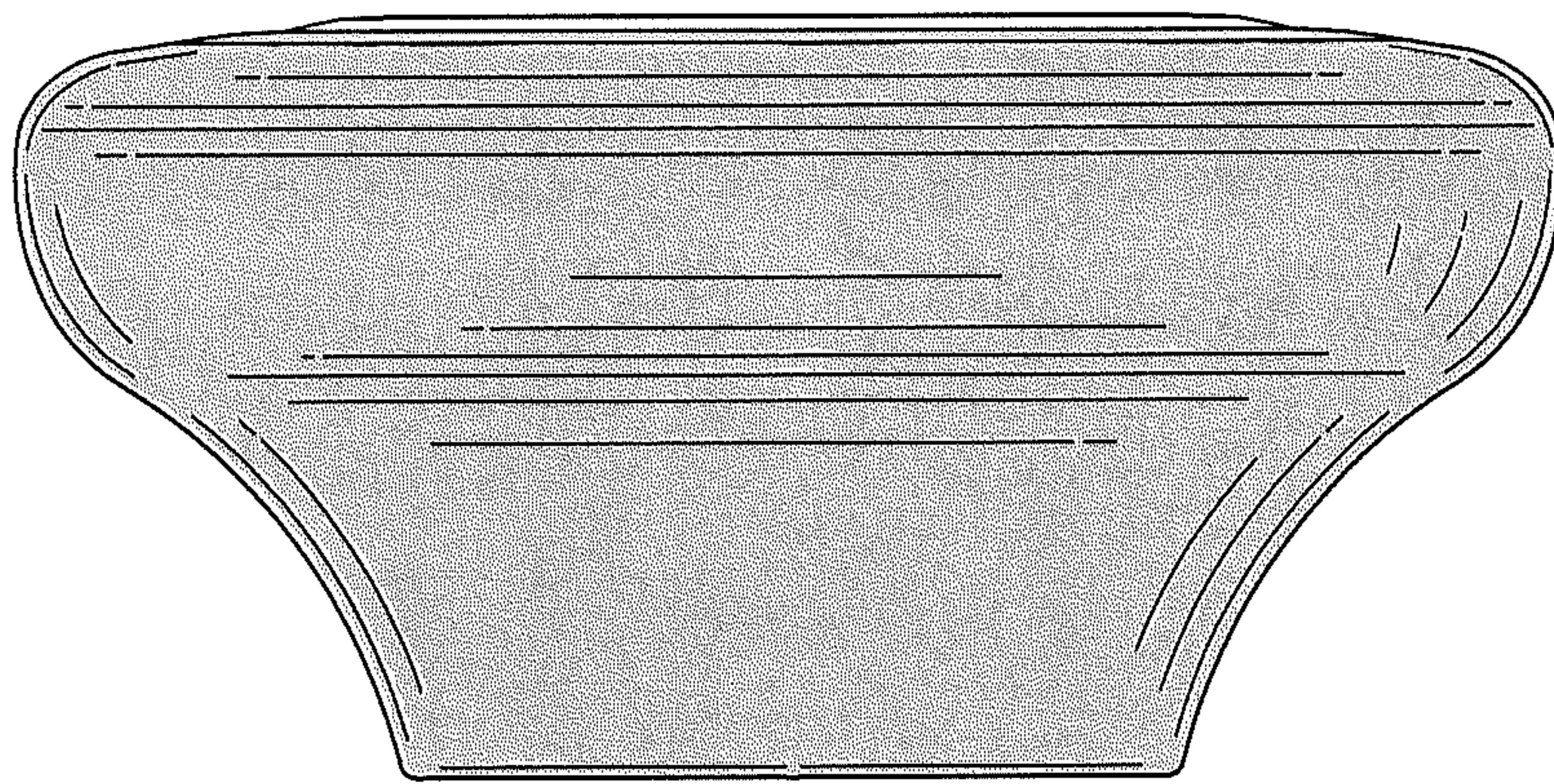


FIG. 6

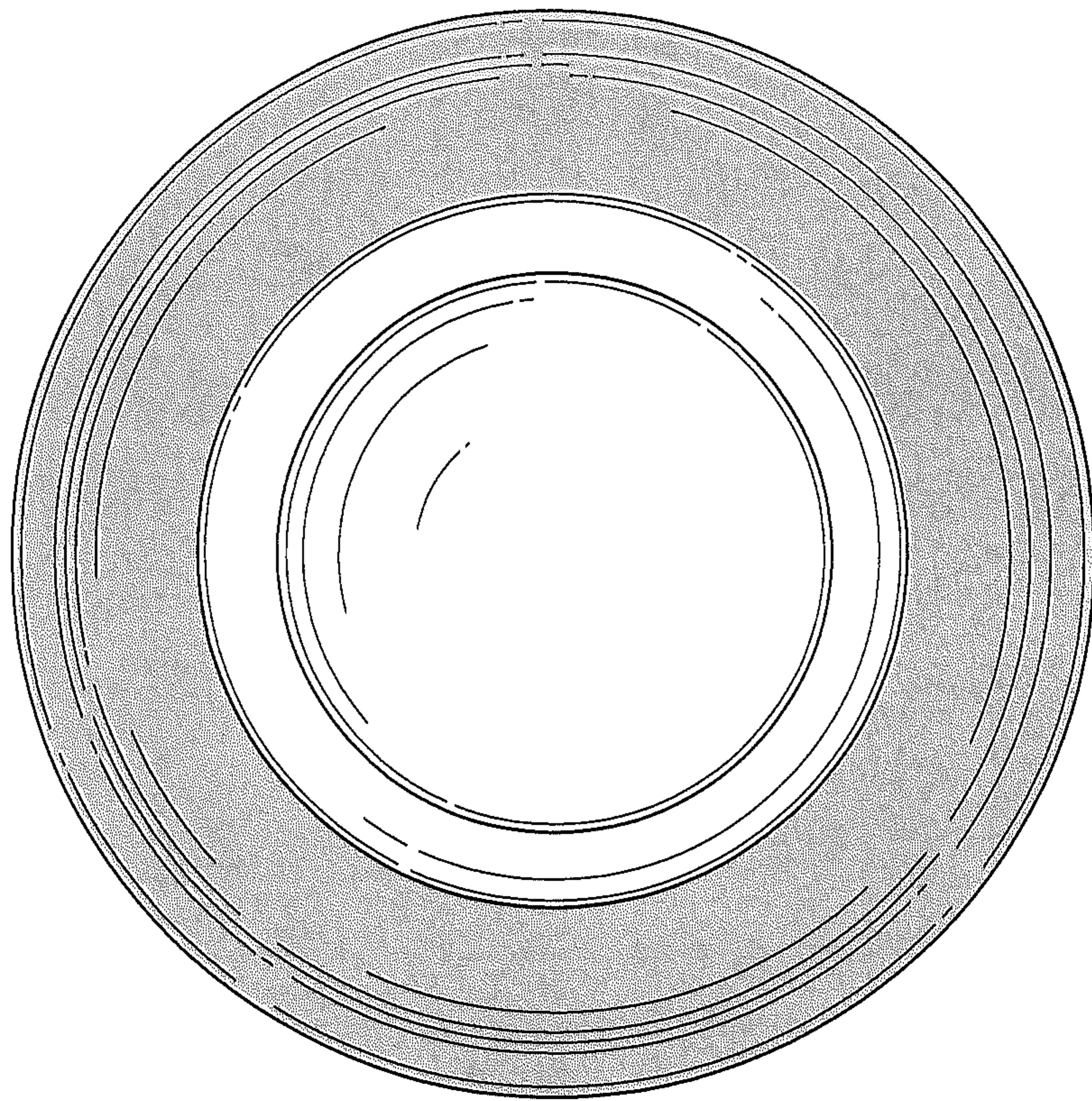


FIG. 7

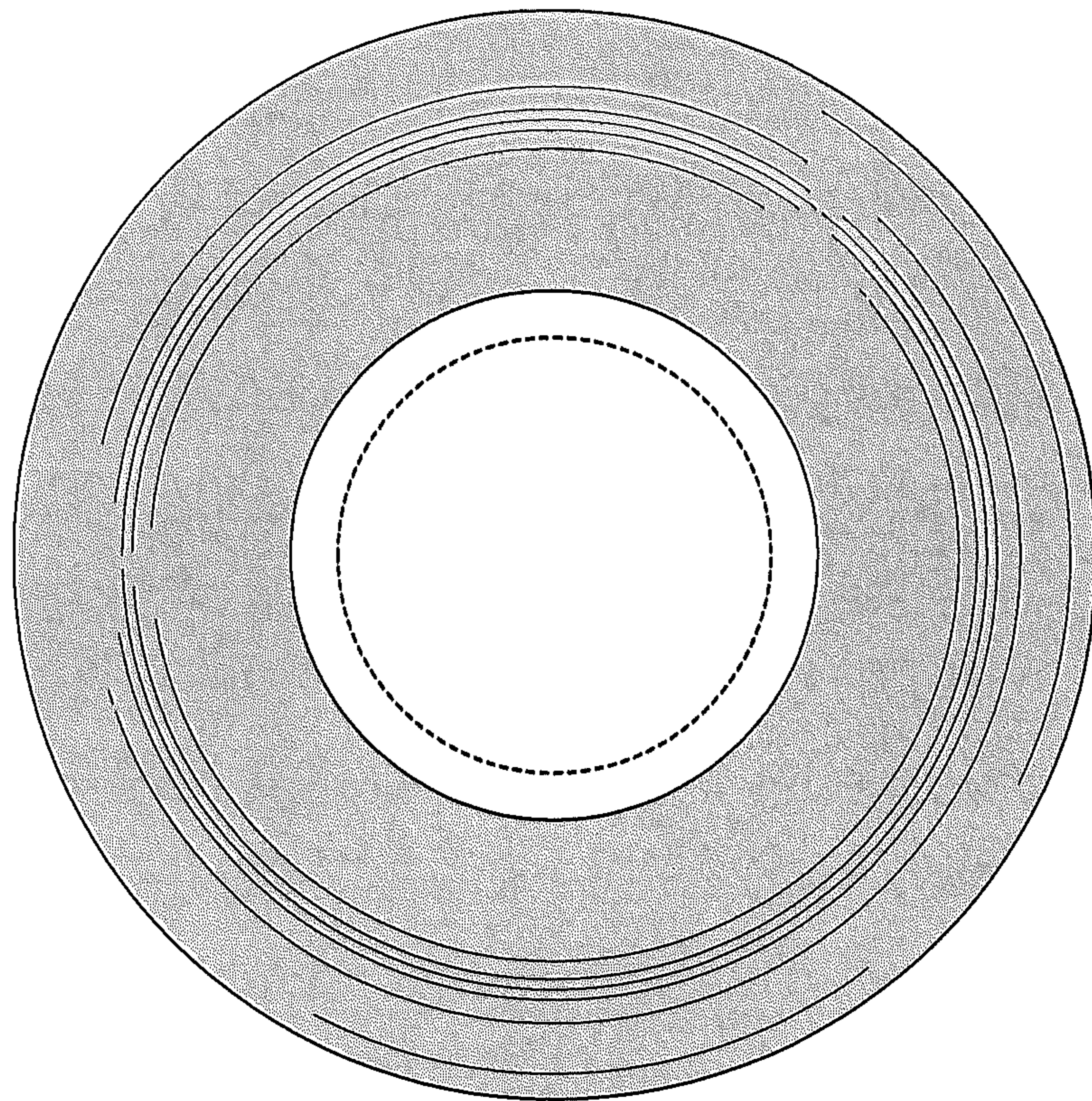


FIG. 8