



US00D733492S

(12) **United States Design Patent**
Barberi

(10) **Patent No.:** **US D733,492 S**
(45) **Date of Patent:** **** Jul. 7, 2015**

(54) **COOKWARE LID HANDLE**

(71) Applicant: **Meyer Intellectual Properties Limited,**
Kowloon (HK)

(72) Inventor: **Philip D. Barberi,** San Ramon, CA (US)

(73) Assignee: **Meyer Intellectual Properties Limited**
(VG)

(**) Term: **14 Years**

(21) Appl. No.: **29/497,927**

(22) Filed: **Jul. 30, 2014**

(51) **LOC (10) Cl.** **07-02**

(52) **U.S. Cl.**
USPC **D7/393**

(58) **Field of Classification Search**
USPC D7/354–358, 359–361, 391, 393, 402,
D7/405, 406, 682; D8/107, 307, 300, 310,
D8/311, 314; D13/171, 174; 16/110 R,
16/114 R, 118, 121, 309, 311, 312, 315,
16/320, 430, 431, 441; 74/548, 553,
74/558.5; 200/18, 61.8, 336–338,
200/564–570; 220/573.1–573.5, 752, 753,
220/755, 912; D9/439
CPC A47J 45/063; A47J 45/074
See application file for complete search history.

(56) **References Cited**

U.S. PATENT DOCUMENTS

D121,558 S * 7/1940 Borchers D8/310
D385,772 S * 11/1997 Keller D8/317
D444,433 S * 7/2001 McBroom et al. D12/162

D465,129 S * 11/2002 Klock et al. D7/393
D506,378 S * 6/2005 Coudurier D8/310
D582,720 S * 12/2008 Plichon D7/393
D692,271 S * 10/2013 Ludeman et al. D7/393

* cited by examiner

Primary Examiner — Cynthia M Chin

(74) *Attorney, Agent, or Firm* — Miller Canfield

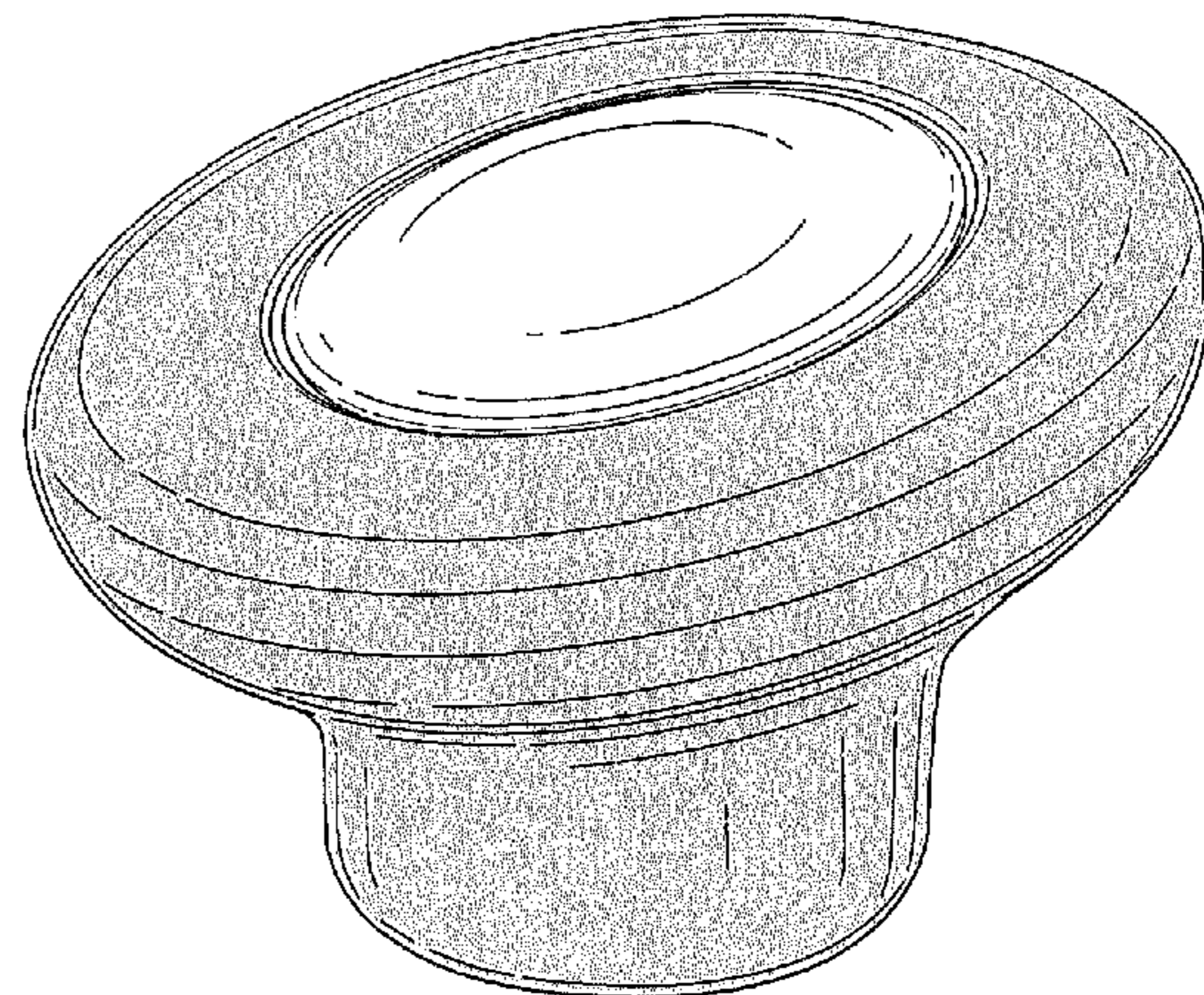
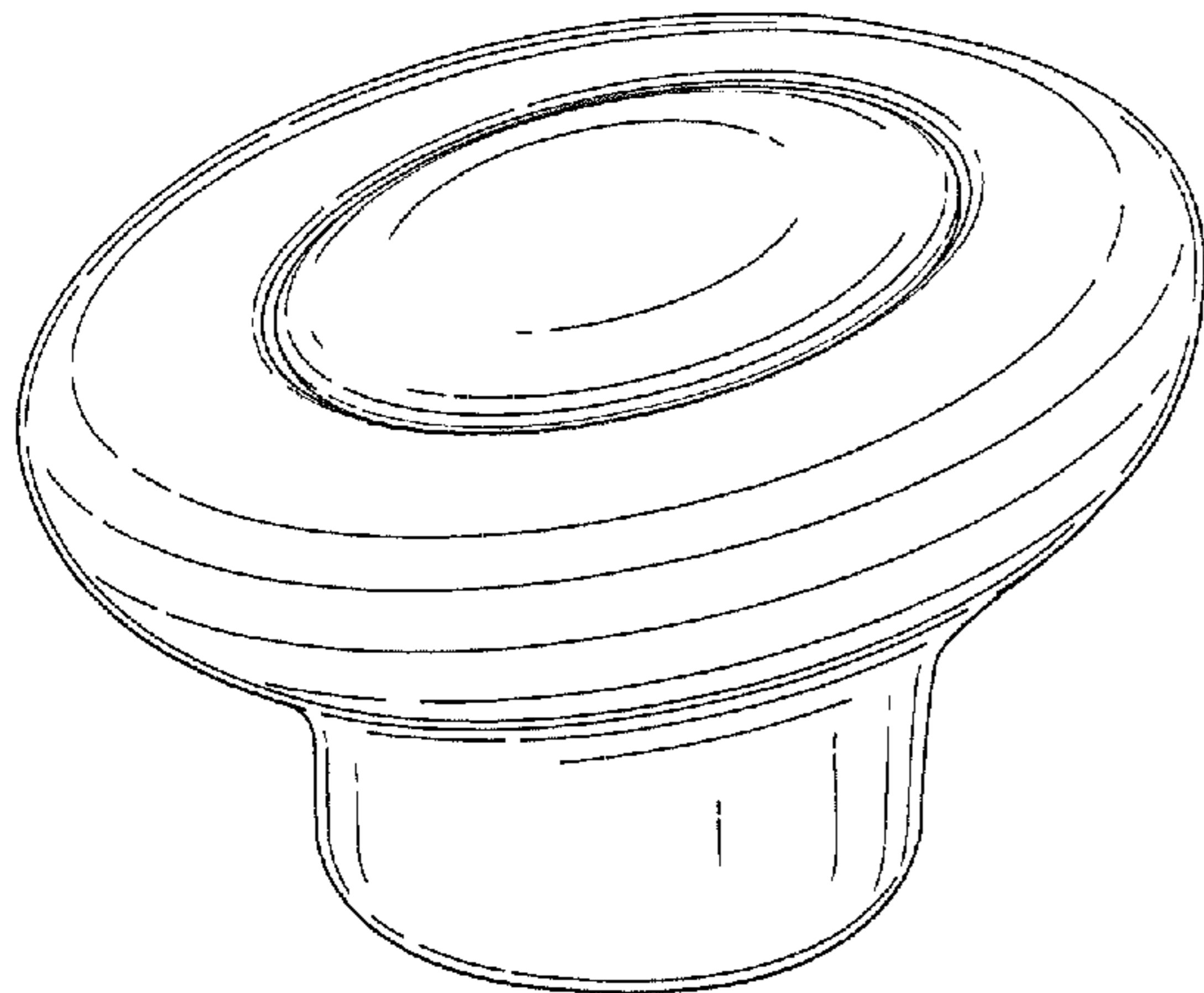
(57) **CLAIM**

The ornamental design for a cookware lid handle, as shown and described.

DESCRIPTION

FIG. 1 is a perspective view of a first embodiment of the cookware lid handle showing my new design;
FIG. 2 is a right side elevation view of the first embodiment; the left side elevation view being the mirror image thereof,
FIG. 3 is a top plan view of the first embodiment;
FIG. 4 is a bottom plan view of the first embodiment;
FIG. 5 is a front elevation view of the first embodiment; the back side elevation view being the mirror image thereof;
FIG. 6 is a perspective view of a second embodiment of the cookware lid handle showing my new design;
FIG. 7 is a right side elevation view of the second embodiment; the left side elevation view being the mirror image thereof,
FIG. 8 is a top plan view of the second embodiment;
FIG. 9 is a bottom plan view of the second embodiment; and,
FIG. 10 is a front elevation view of the second embodiment; the back side elevation view being the mirror image thereof.
The broken lines in FIGS. 4 and 9 are for illustrative purposes only, depicting the environment of the new design, forming no part thereof as claimed.

1 Claim, 6 Drawing Sheets



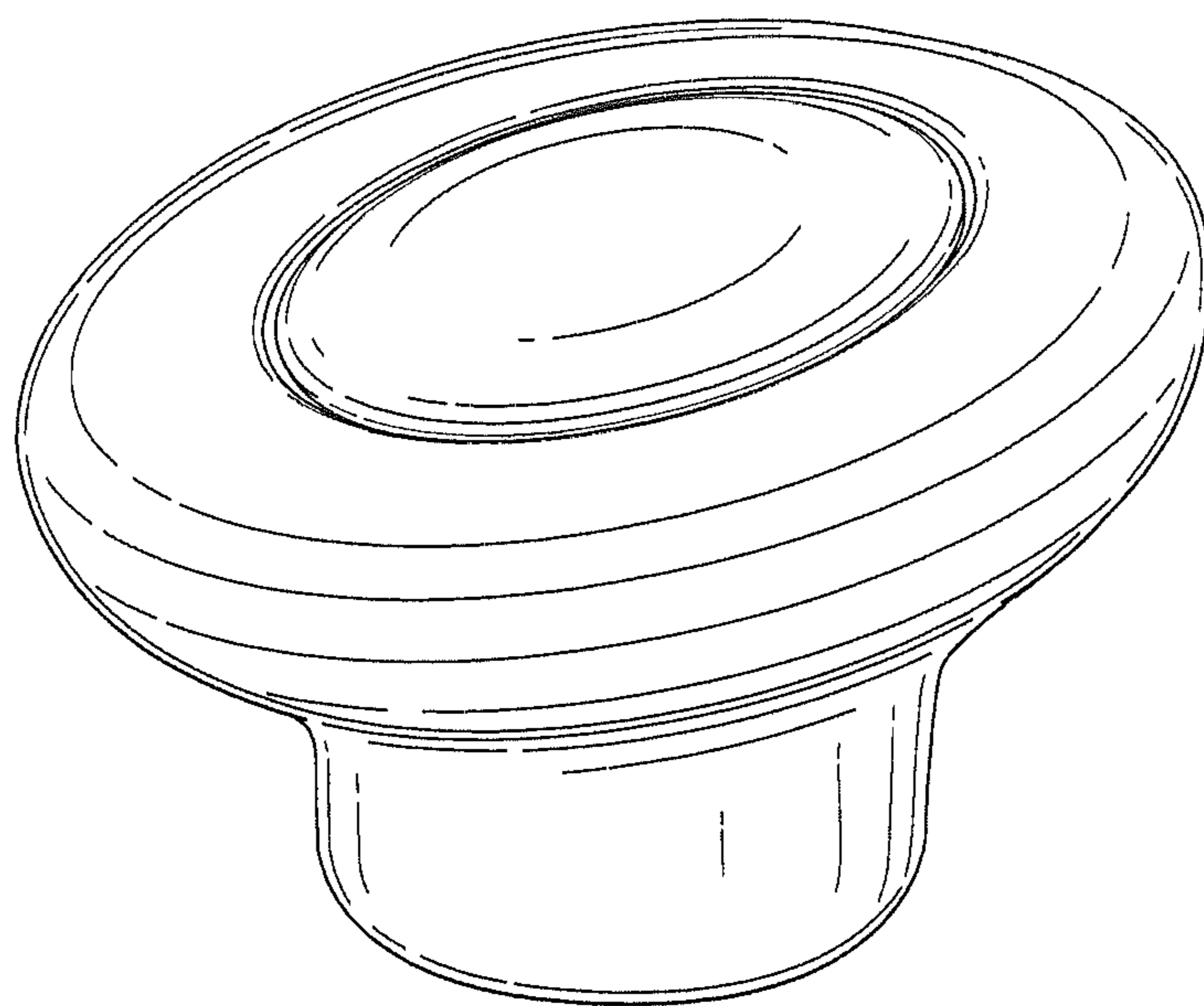


FIG. 1

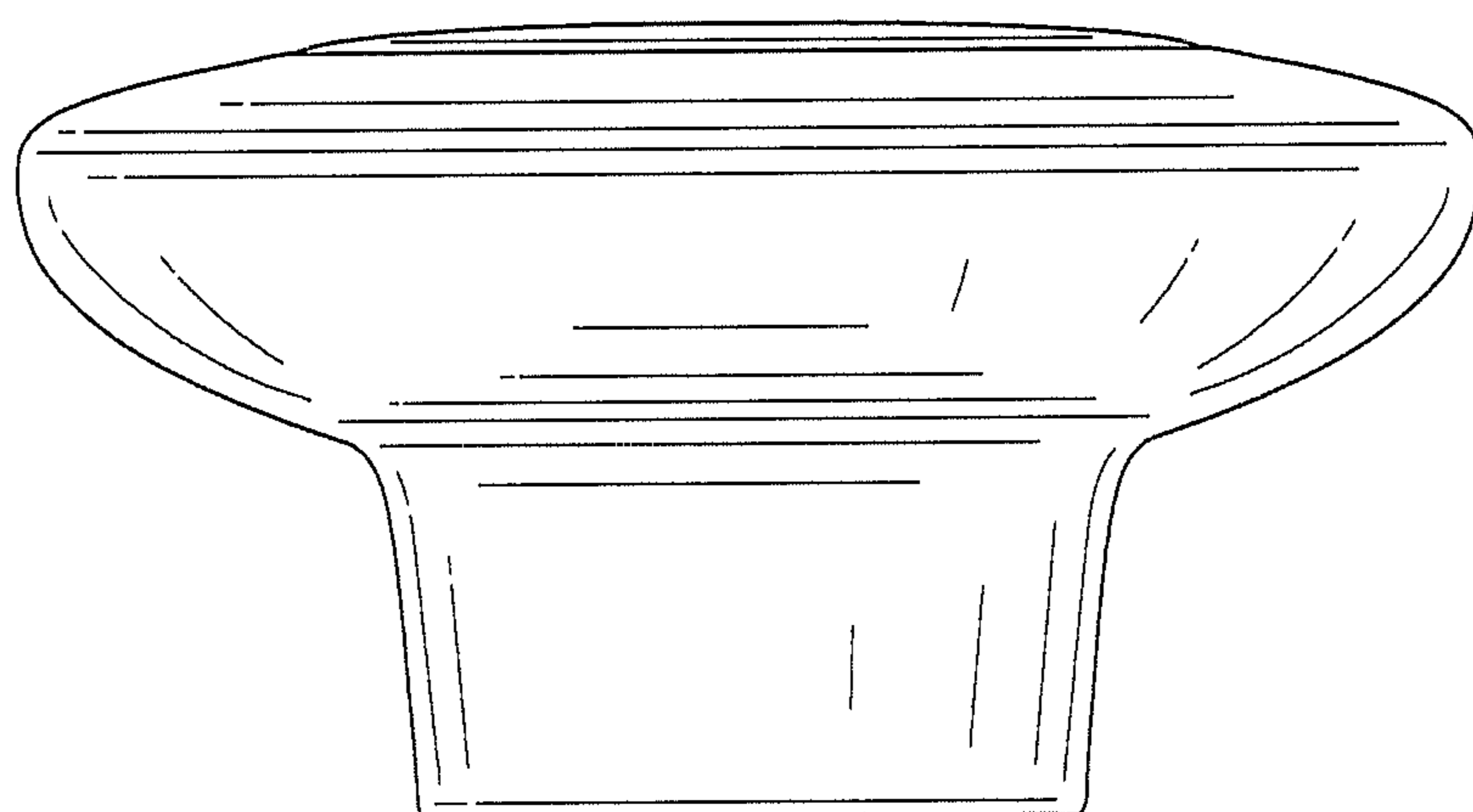


FIG. 2

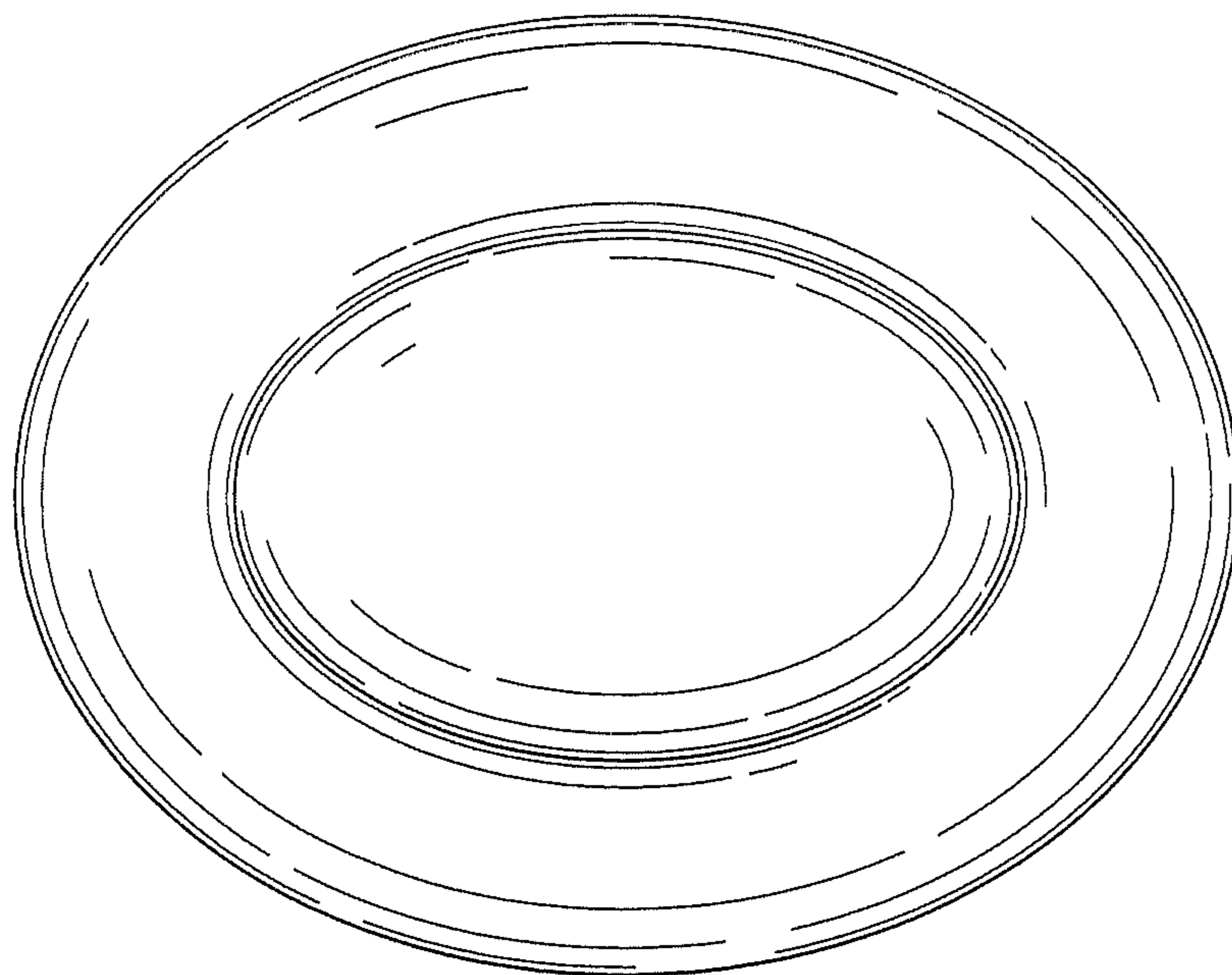


FIG. 3

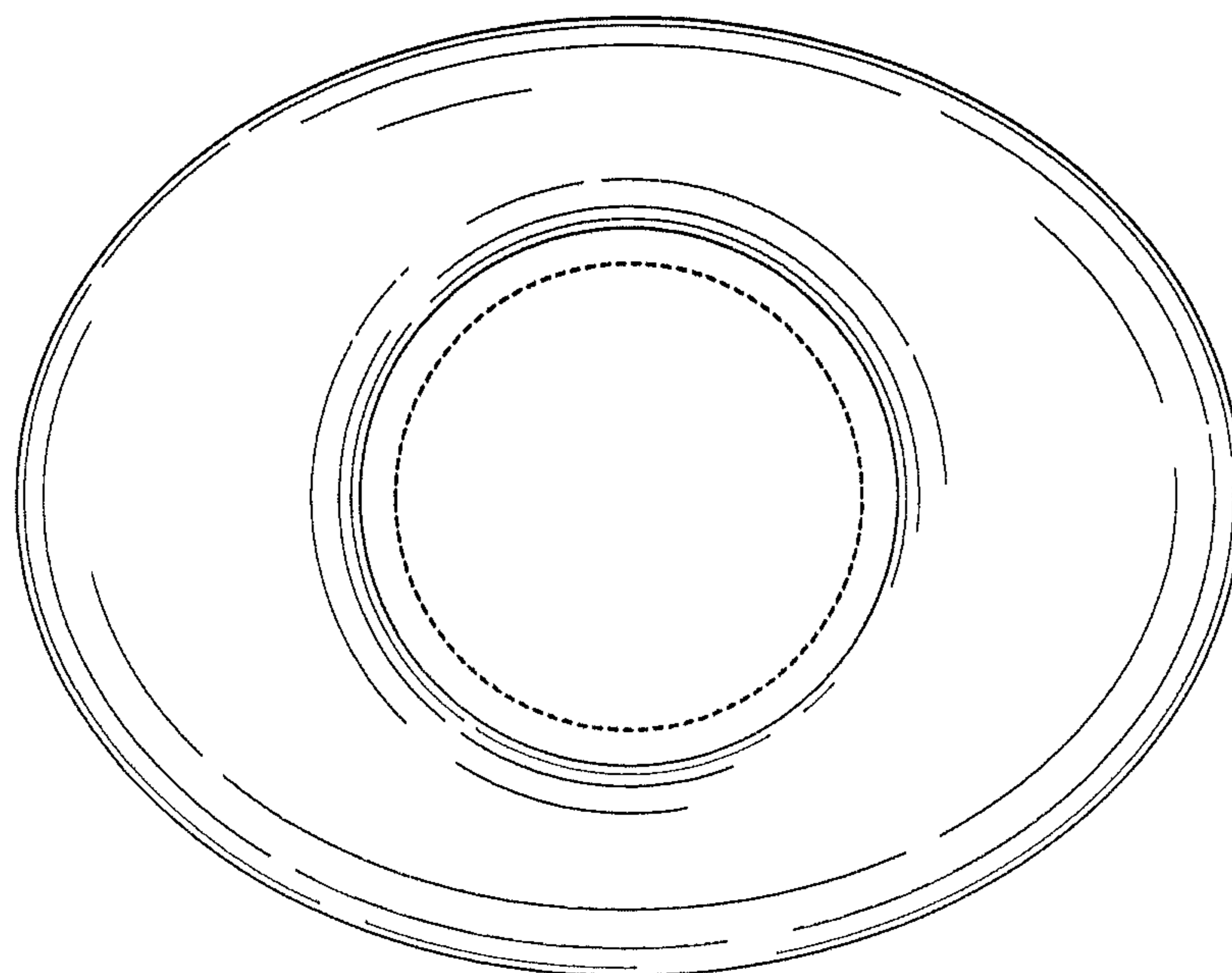


FIG. 4

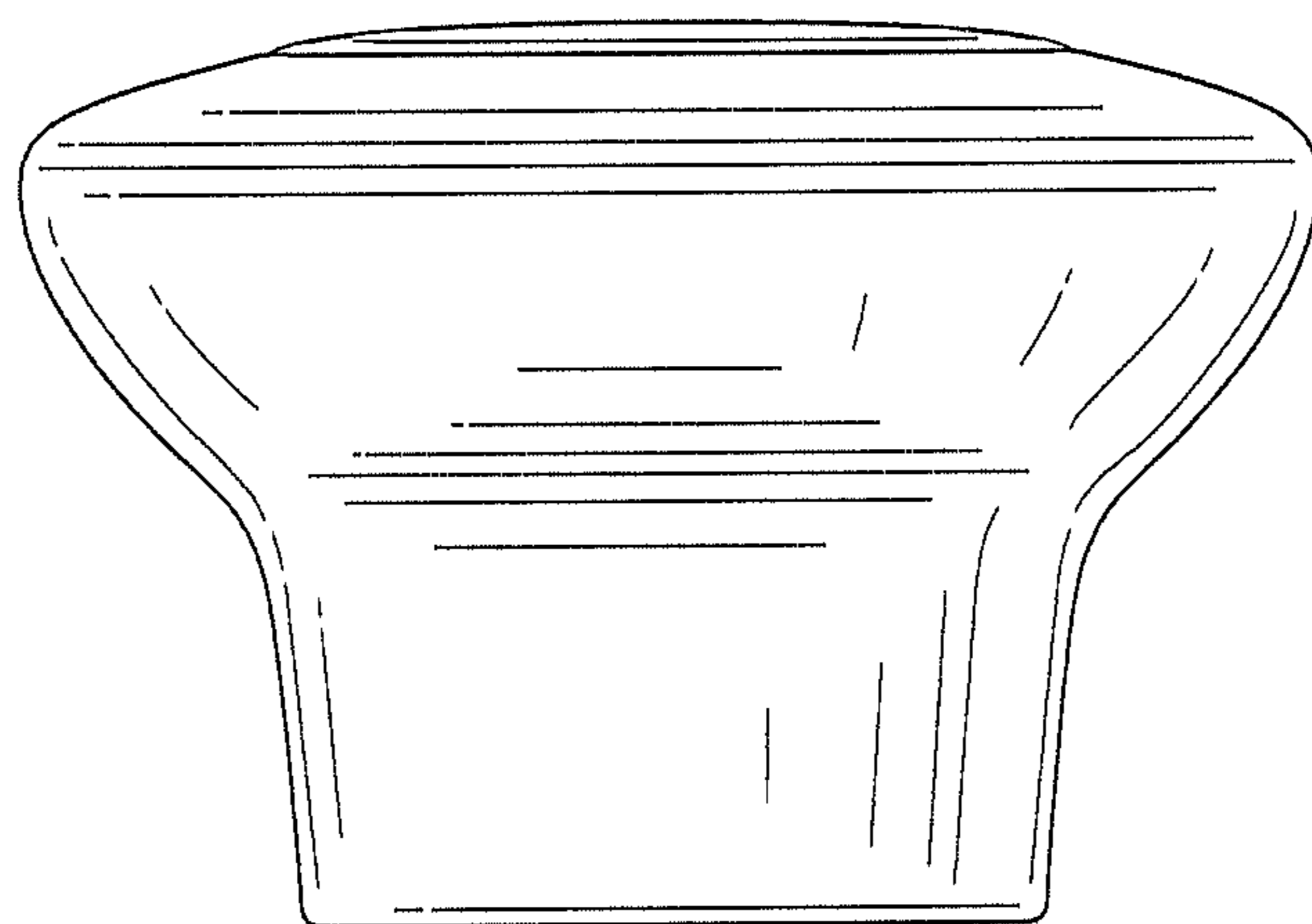


FIG. 5

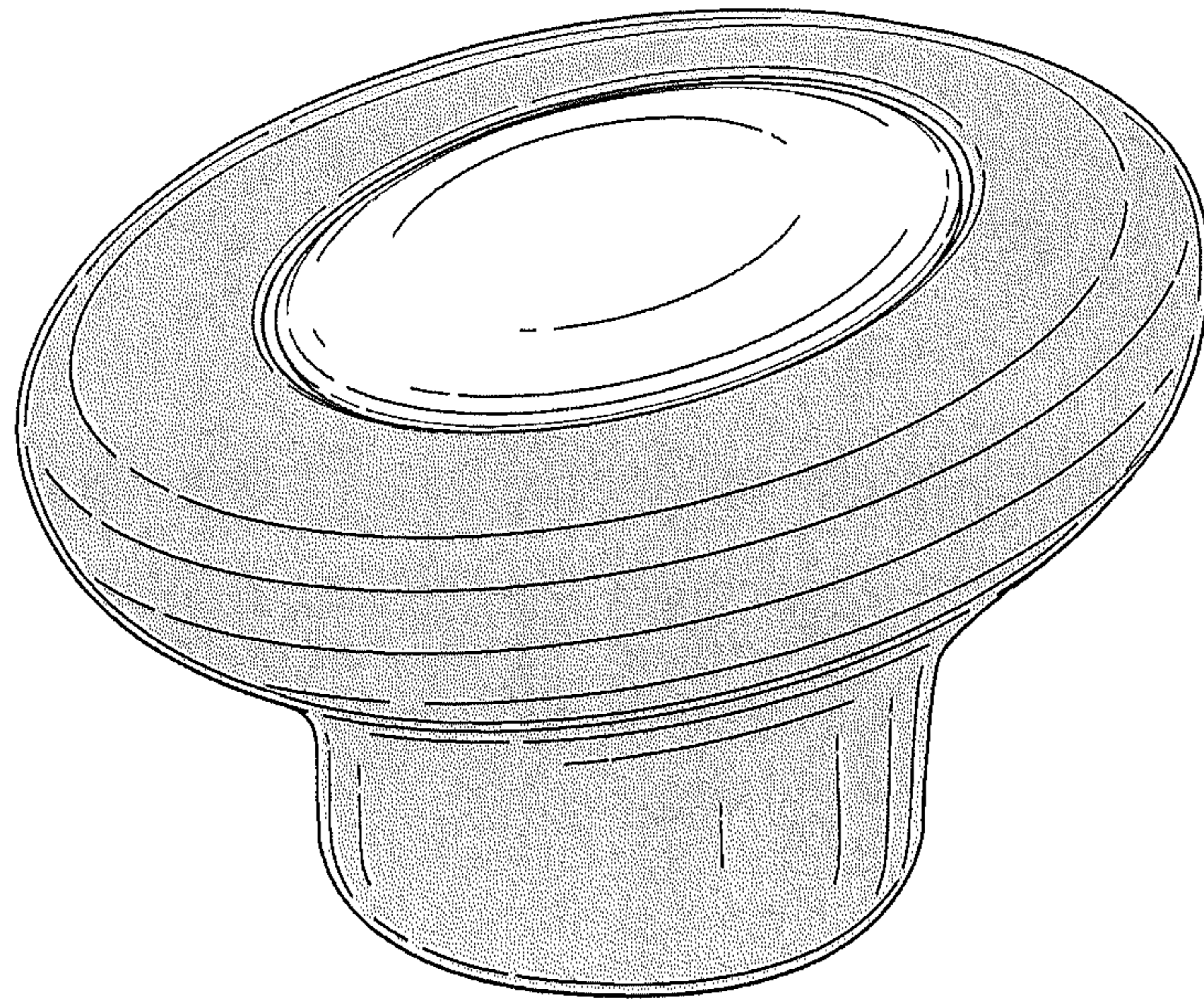


FIG. 6

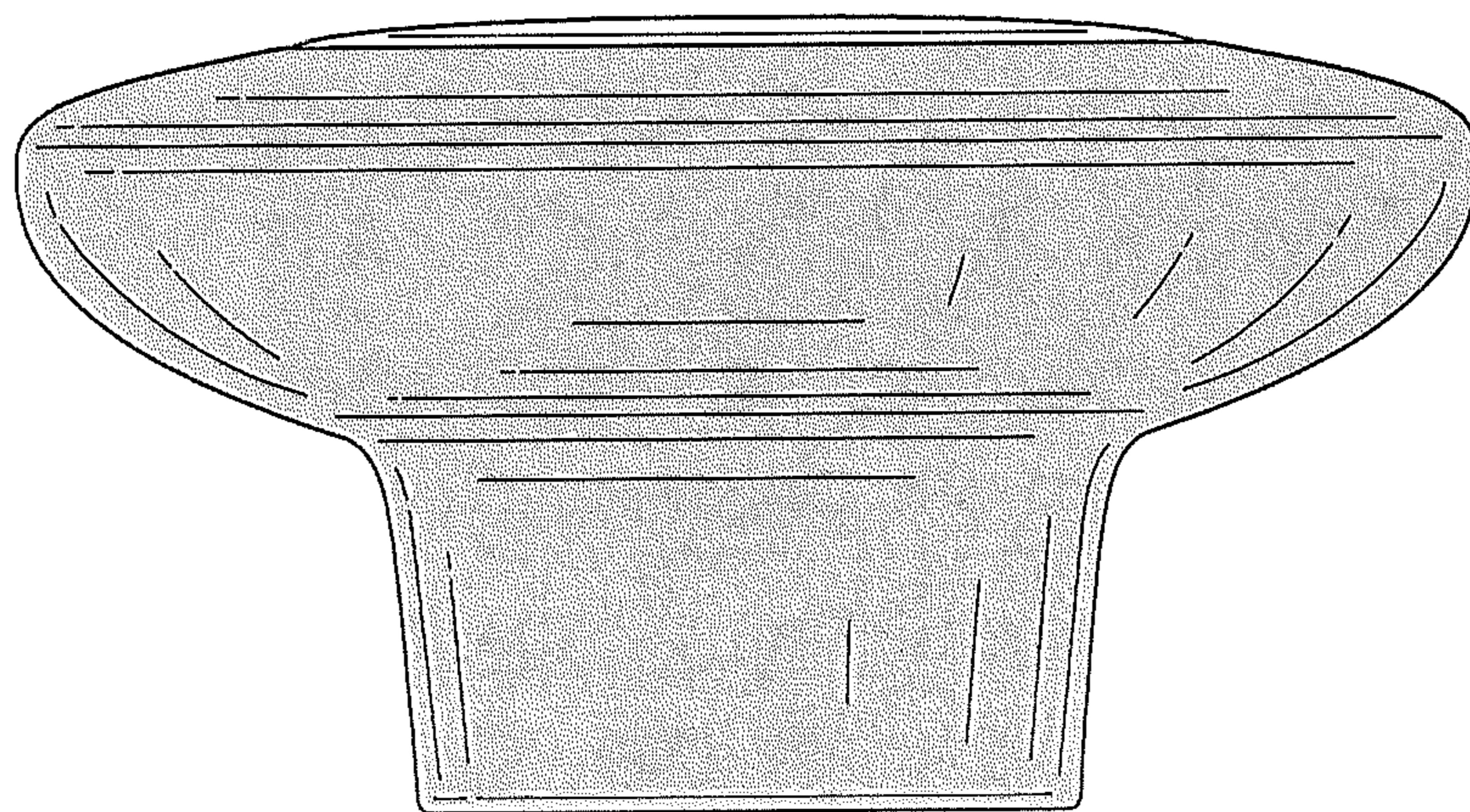


FIG. 7

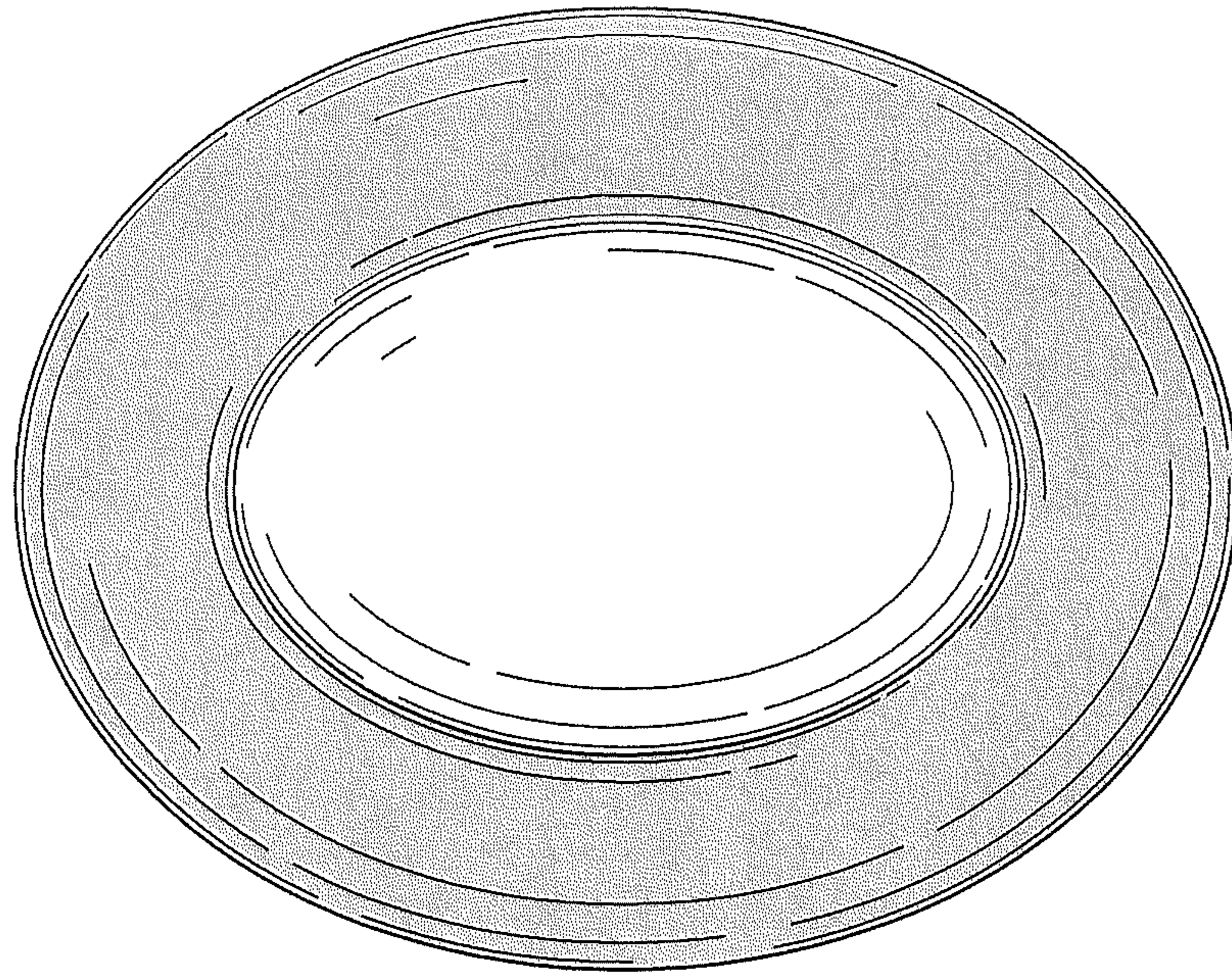


FIG. 8

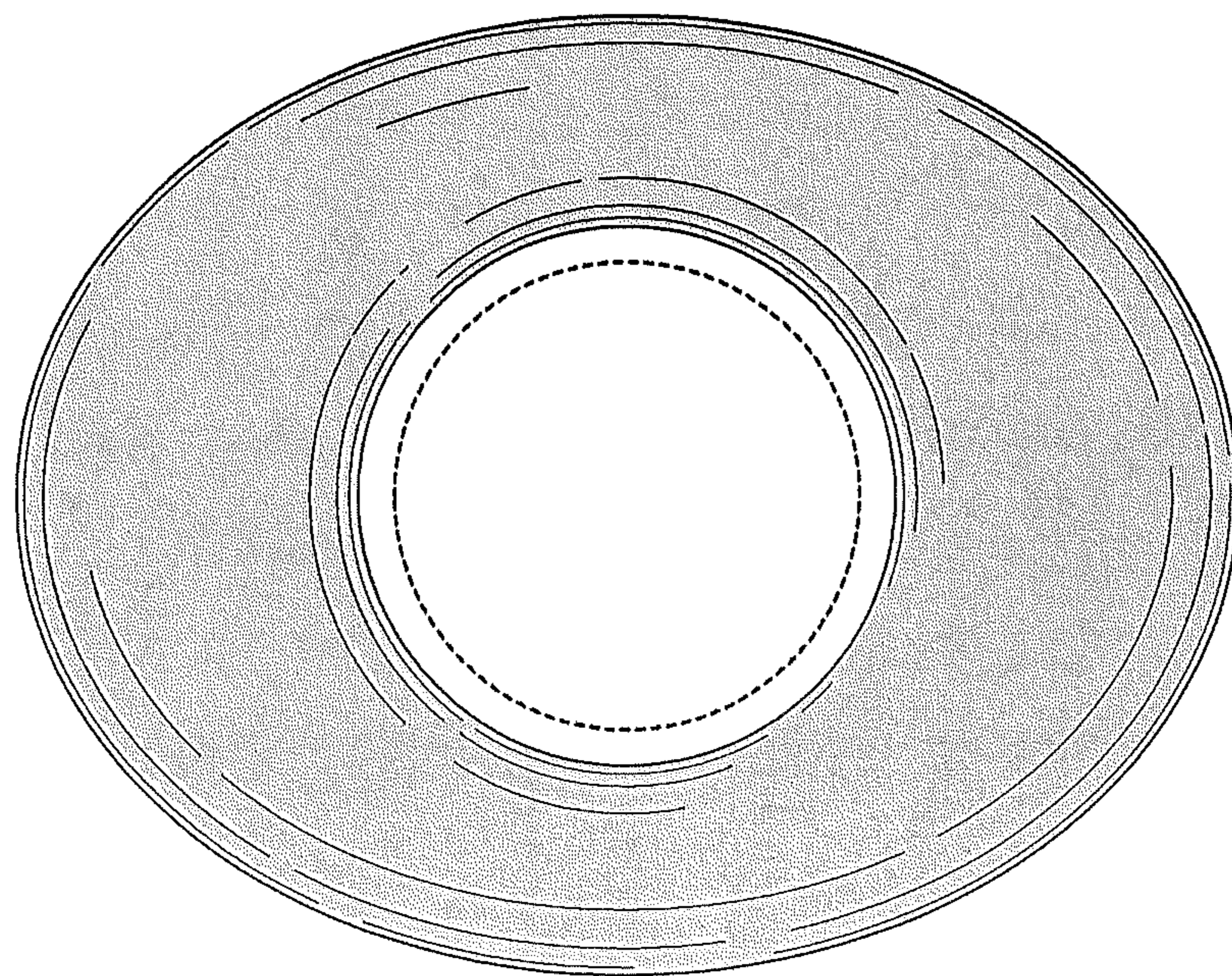


FIG. 9

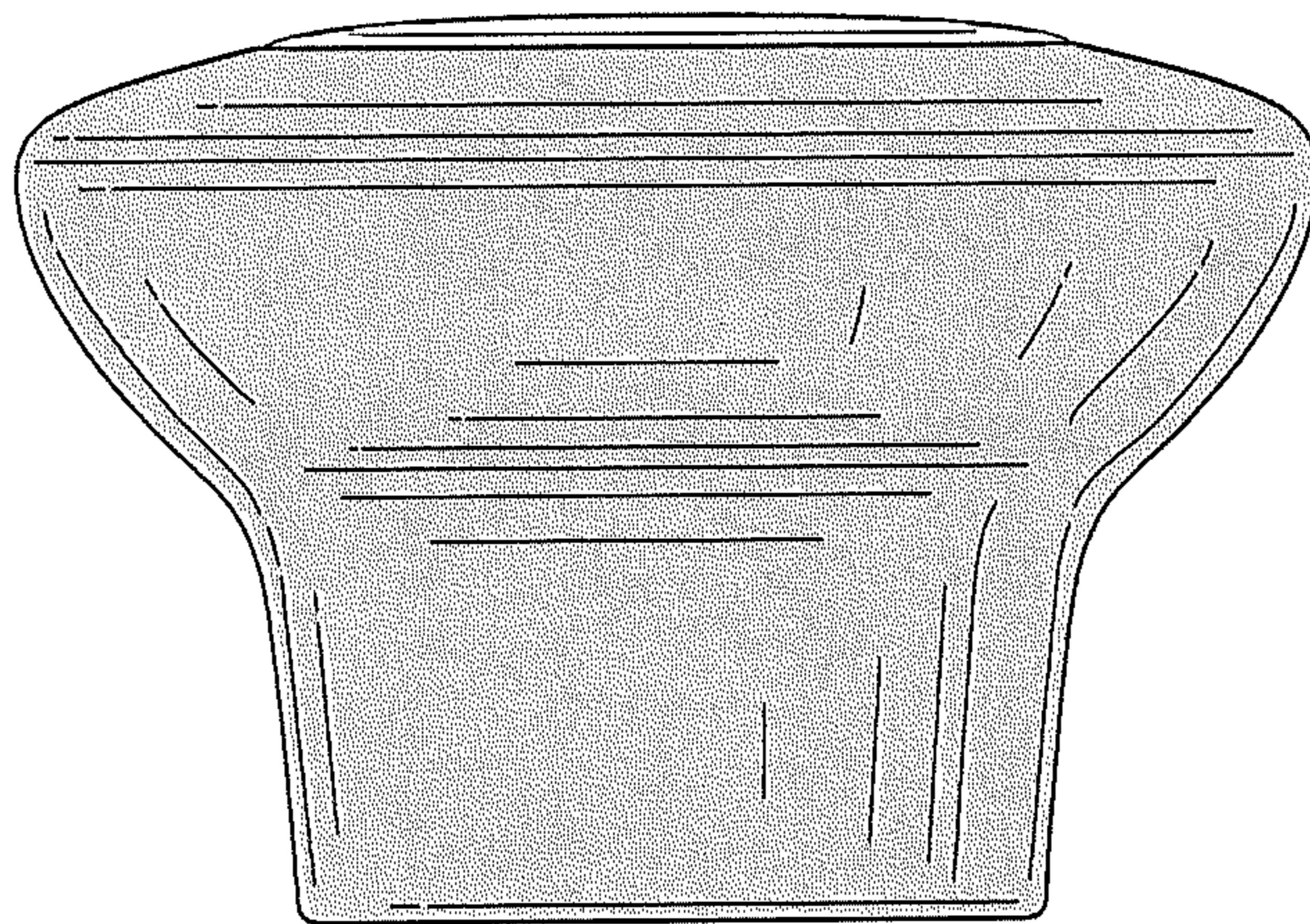


FIG. 10