



US00D733490S

(12) **United States Design Patent**
Kent

(10) **Patent No.:** **US D733,490 S**

(45) **Date of Patent:** **** Jul. 7, 2015**

(54) **LID FOR DRESSING EMULSIFIER**

(71) Applicant: **Progressive International Corporation,**
Kent, WA (US)

(72) Inventor: **Joseph Kent,** Seattle, WA (US)

(73) Assignee: **Progressive International Corporation,**
Kent, WA (US)

(**) Term: **14 Years**

(21) Appl. No.: **29/480,689**

(22) Filed: **Jan. 28, 2014**

(51) **LOC (10) Cl.** **07-01**

(52) **U.S. Cl.**
USPC **D7/392.1**

(58) **Field of Classification Search**
USPC D7/319, 323, 391, 392, 392.1, 393,
D7/396.2, 397, 398, 399, 443, 447, 449,
D7/509, 510, 511, 629; D9/435, 440, 442,
D9/443, 447, 450, 451, 452, 453, 503, 504,
D9/523, 527, 552, 561, 761; D23/207,
D23/209; 220/254.8, 700, 703, 711, 715;
222/465.1, 475.1; 215/11.1, 41, 386,
215/387, 388

CPC A47J 47/01
See application file for complete search history.

(56) **References Cited**

U.S. PATENT DOCUMENTS

D547,607 S * 7/2007 Forsman D7/396.2
D584,566 S * 1/2009 Fuller D7/396.2
D586,184 S * 2/2009 Miller et al. D7/511
D652,256 S * 1/2012 Eyal D7/510

D675,059 S * 1/2013 Carreno D7/392.1
D679,541 S * 4/2013 Samartgis D7/392.1
D683,581 S * 6/2013 Archer D7/392.1
D700,014 S * 2/2014 Zeanah D7/510
8,833,586 B2 * 9/2014 Meyers et al. 220/254.3
D716,657 S * 11/2014 Caneer D9/443
2006/0198241 A1 * 9/2006 Krishnachaitanya et al. 366/205
2013/0201783 A1 * 8/2013 Stewart et al. 366/130
2013/0301378 A1 * 11/2013 Junker 366/241

OTHER PUBLICATIONS

“PL8 Dressing Emulsifier”. hsn.com. Web. Mar. 23, 2015.*

* cited by examiner

Primary Examiner — Robert M Spear

Assistant Examiner — Kendra L Hamilton

(74) *Attorney, Agent, or Firm* — Lowe Graham Jones PLLC

(57) **CLAIM**

I claim the ornamental design for the lid for dressing emulsi-
fier, as shown and described.

DESCRIPTION

FIG. 1 is a perspective view of a lid for dressing emulsifier,
showing my new design.

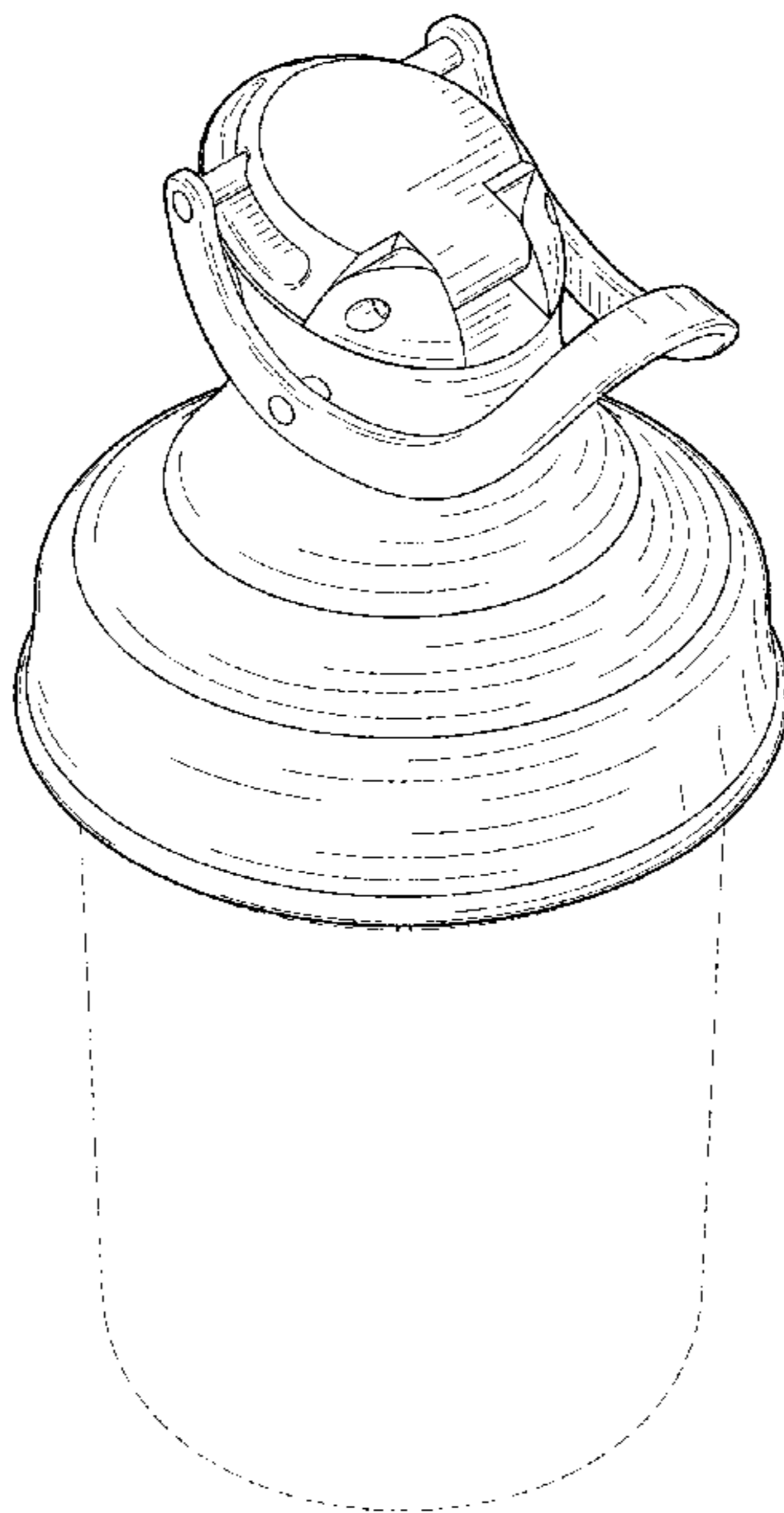
FIG. 2 is a front view of the lid for dressing emulsifier, the
back view being a mirror image.

FIG. 3 is a right side view of the lid for dressing emulsifier.

FIG. 4 is a left side view of the lid for dressing emulsifier; and,
FIG. 5 is a top view of the lid for dressing emulsifier.

The bottom view not visible in the drawings is unornamented
and forms no part of the claimed invention. Features illus-
trated in broken lines, including a jar shown attached to the
bottom of the lid for dressing emulsifier, form no part of the
claimed invention.

1 Claim, 5 Drawing Sheets



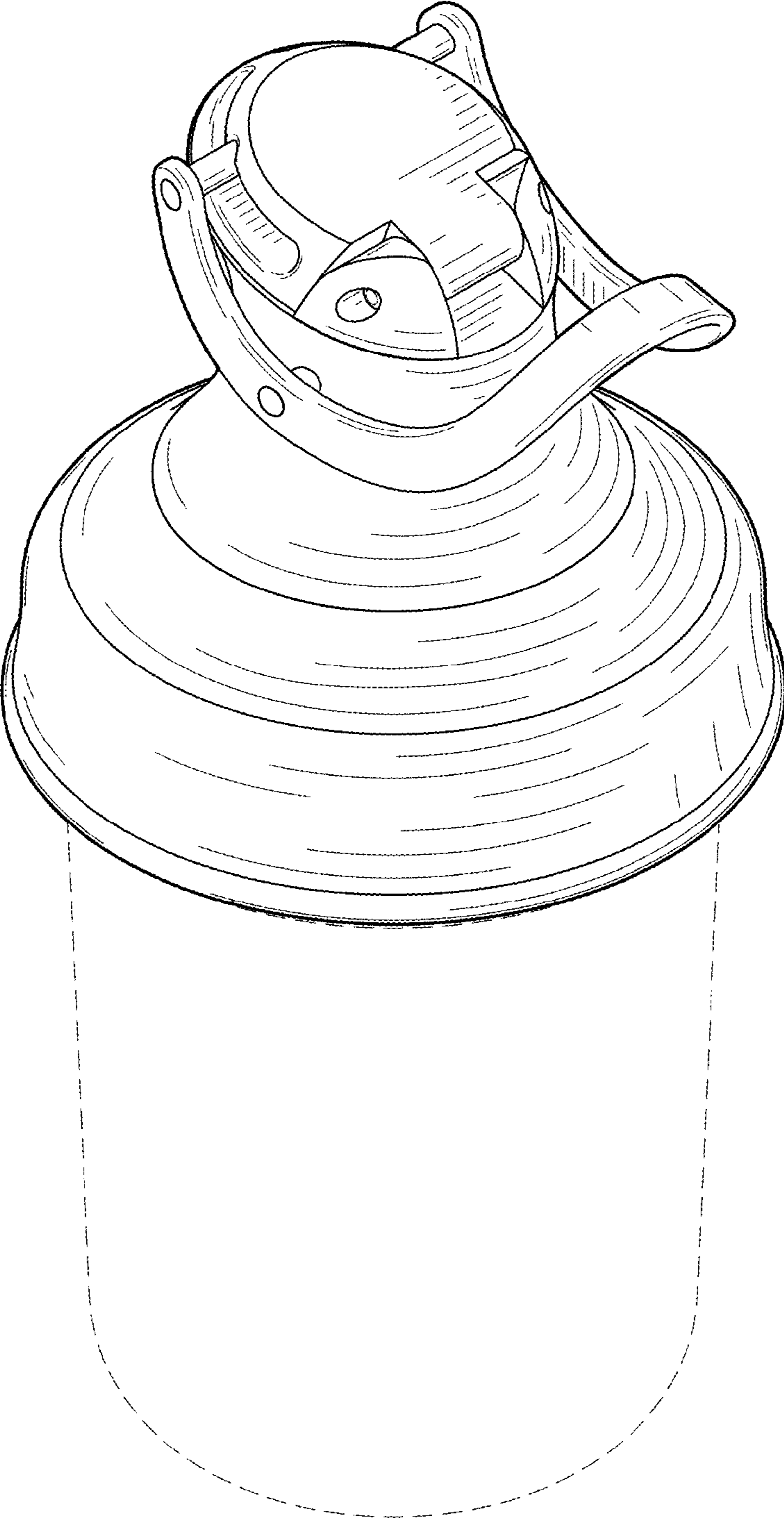


FIG.1

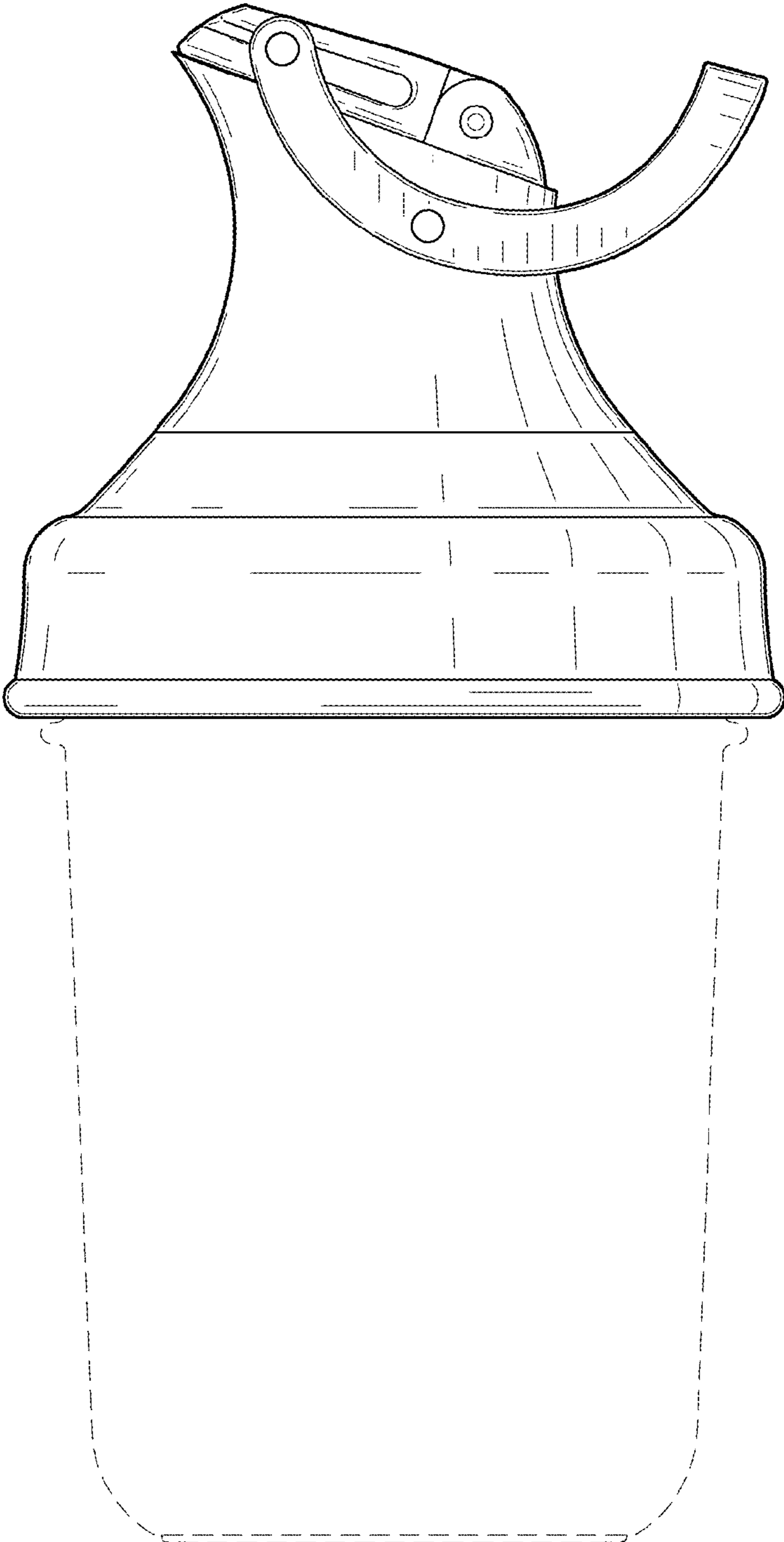


FIG. 2

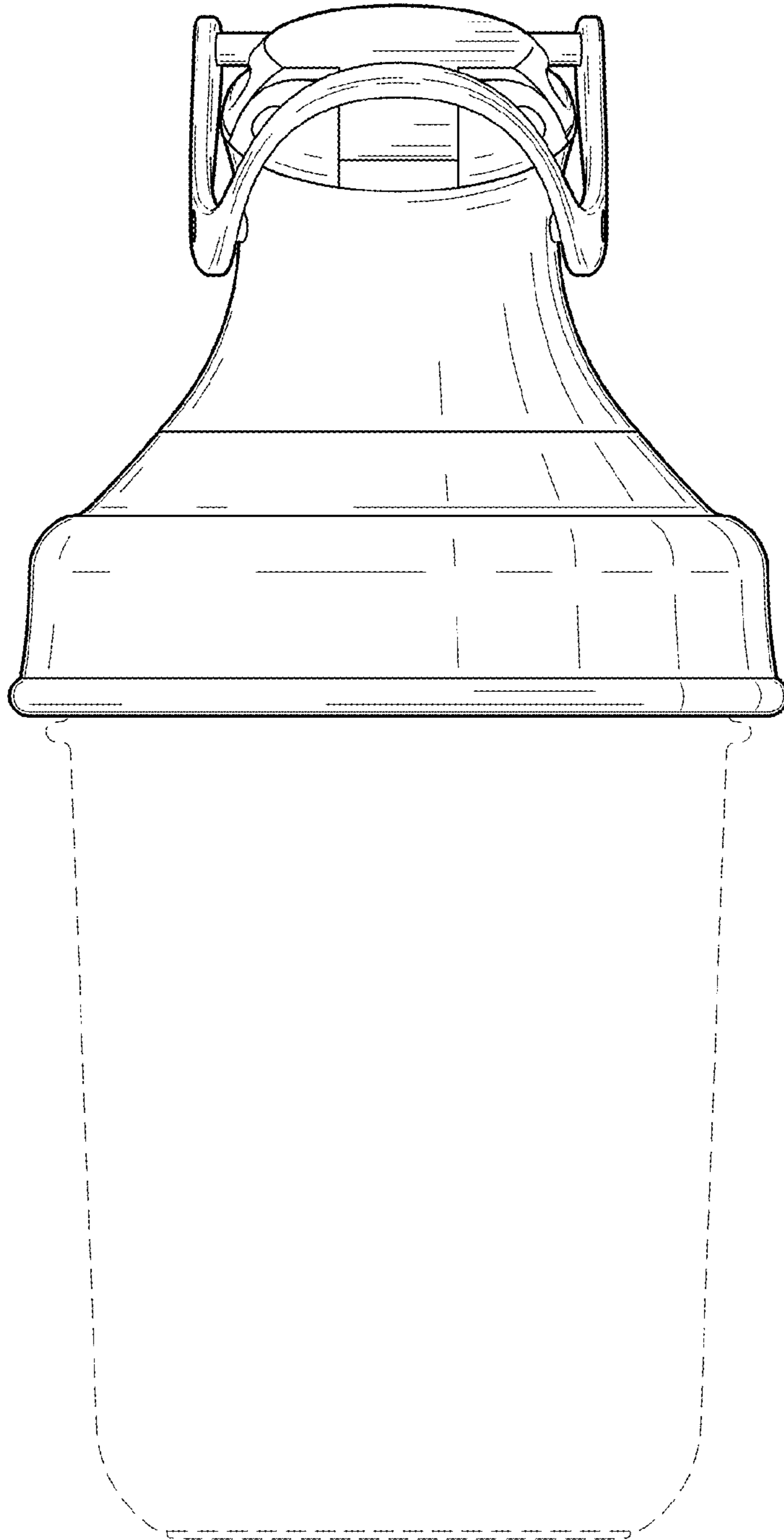


FIG. 3

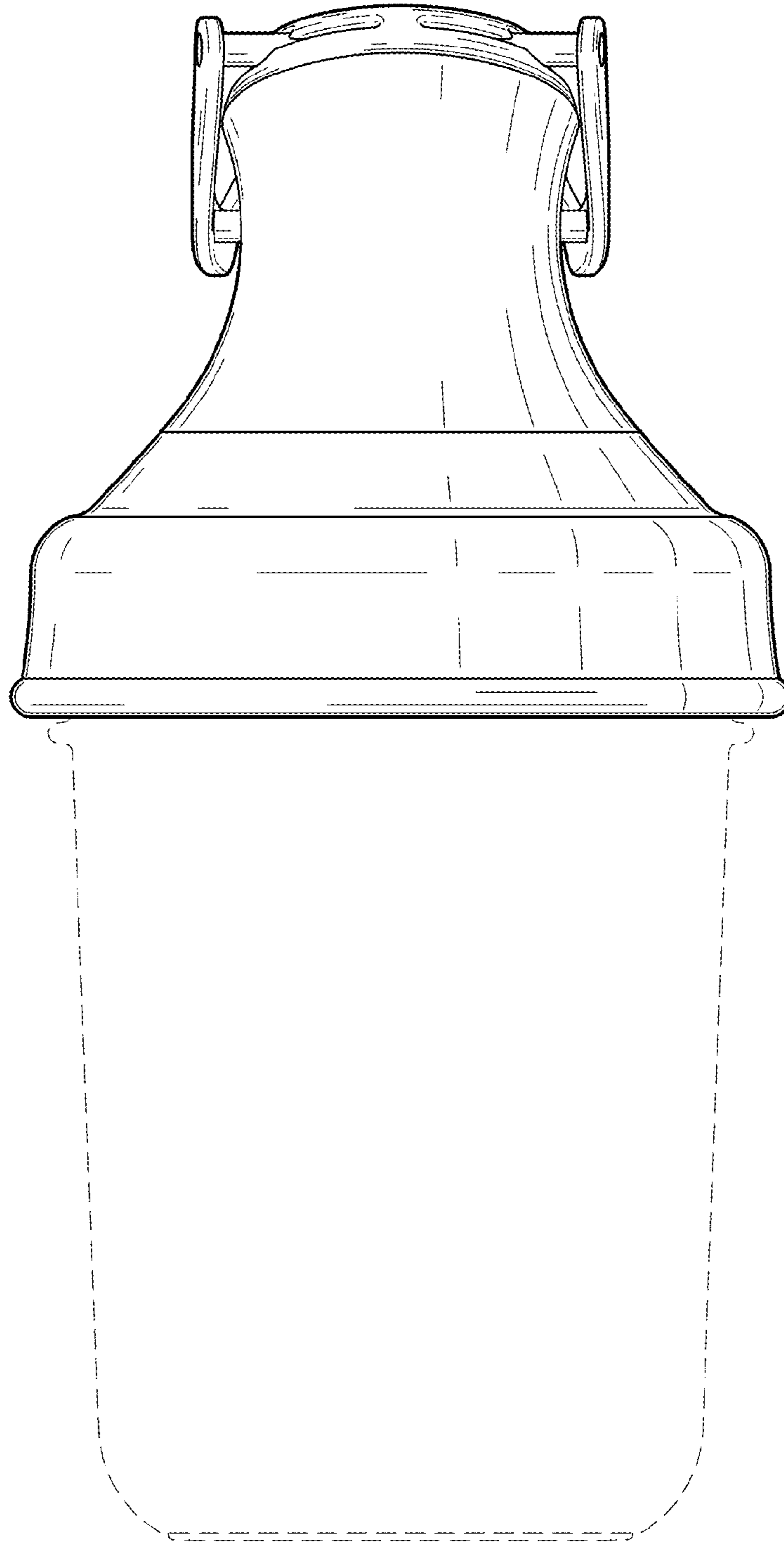


FIG. 4

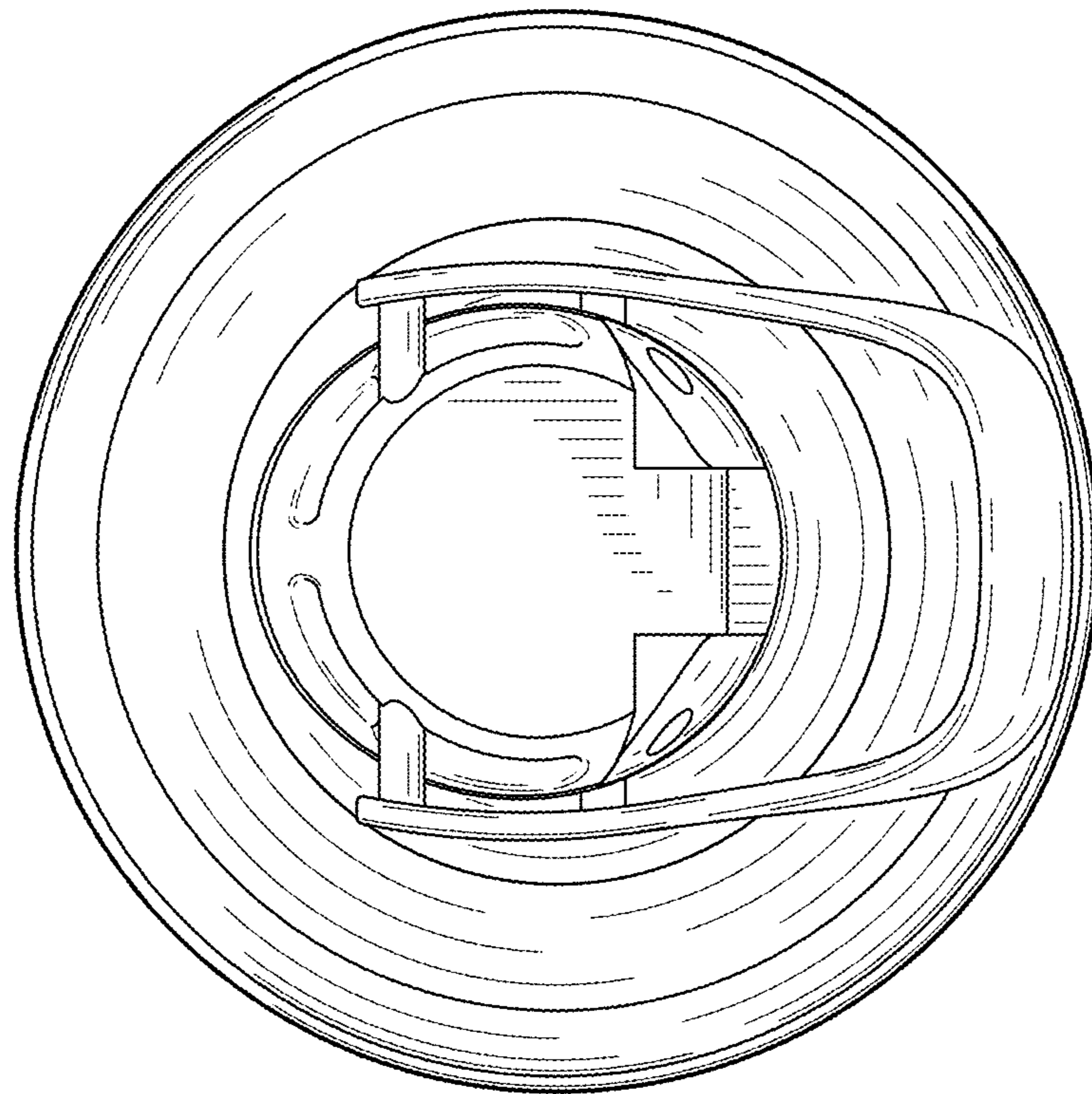


FIG. 5