



US00D733488S

(12) **United States Design Patent**
Tu

(10) **Patent No.:** **US D733,488 S**

(45) **Date of Patent:** **** Jul. 7, 2015**

(54) **BLENDER BASE**

(56) **References Cited**

(71) Applicant: **Euro-Pro Operating LLC**, Newton,
MA (US)

U.S. PATENT DOCUMENTS

(72) Inventor: **Joyce Tu**, Arlington, MA (US)

D242,208	S	*	11/1976	Madl	D7/386
D605,462	S	*	12/2009	Picozza et al.	D7/386
D617,136	S	*	6/2010	Bock et al.	D7/378
D644,480	S		9/2011	Czach et al.		
D647,357	S		10/2011	Audette et al.		
D647,367	S	*	10/2011	Audette et al.	D7/413
D647,368	S	*	10/2011	Audette et al.	D7/413
D667,261	S	*	9/2012	Lee et al.	D7/386
D668,100	S	*	10/2012	Palermo et al.	D7/386
D670,532	S	*	11/2012	Boozer et al.	D7/386
D677,976	S	*	3/2013	Palermo et al.	D7/386
D690,152	S	*	9/2013	Palermo et al.	D7/386
D702,078	S		4/2014	Coakley et al.		
D704,502	S	*	5/2014	Coakley et al.	D7/386
8,721,164	B2	*	5/2014	Audette	366/205
D711,688	S	*	8/2014	Prats	D7/412
2012/0024993	A1		2/2012	Audette et al.		

(73) Assignee: **Euro-Pro Operating LLC**, Newton,
MA (US)

(**) Term: **14 Years**

(21) Appl. No.: **29/496,946**

(22) Filed: **Jul. 18, 2014**

(51) **LOC (10) Cl.** **07-02**

(52) **U.S. Cl.**
USPC **D7/386; D7/376; D7/378**

(58) **Field of Classification Search**
USPC D7/372, 376–386, 412–413, 602, 629,
D7/665–666, 669, 679, 693–694;
99/509–511; 241/92, 98,
241/101.01–101.2, 166–169.1, 274–278.2,
241/285.1–285.3, 291, 292.1; 366/64–65,
366/97–98, 100, 130, 197–201, 205–207,
366/219–220, 341–343
CPC A21C 1/02; A21C 1/04; A23N 1/00;
A23N 1/02; A47J 43/04; A47J 43/25; A47J
43/27; A47J 43/042; A47J 43/44; A47J
43/046; A47J 43/075; A47J 43/0711; A47J
43/0722; A47J 43/0727; A47J 43/0777;
B01F 3/00; B01F 3/0807; B01F 3/0853;
B01F 13/0059; B01F 13/0064; B02C 1/08;
B02C 2/04; B02C 4/42; B02C 4/142; B02C
4/143; B02C 4/423; B02C 13/1835; B28C
5/10; B28C 5/12; B28C 5/14; B28C 5/16

See application file for complete search history.

* cited by examiner

Primary Examiner — Ricky Pham

(74) *Attorney, Agent, or Firm* — Wolf, Greenfield & Sacks,
P.C.

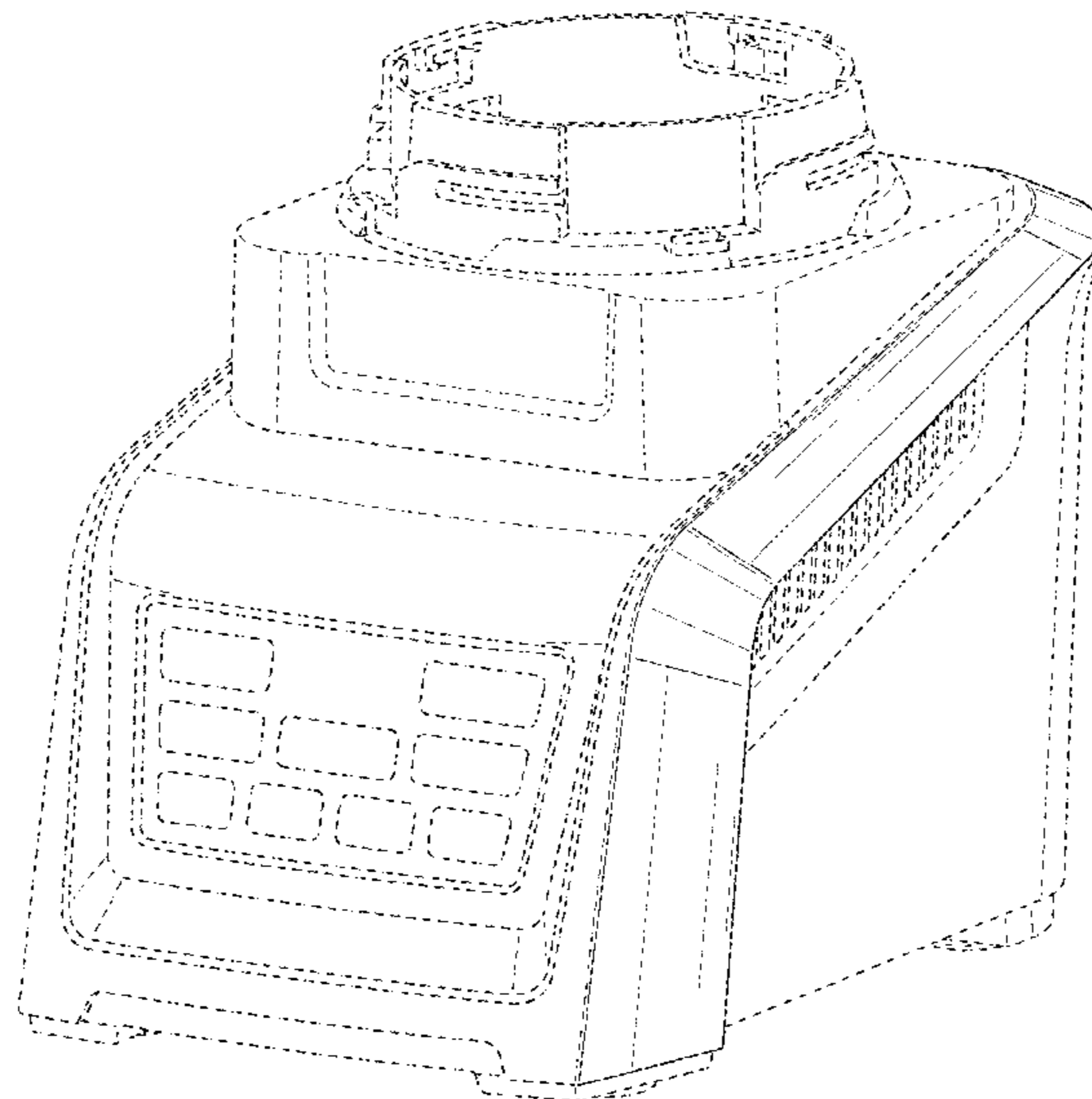
(57) **CLAIM**

The ornamental design for a blender base, as shown and
described.

DESCRIPTION

FIG. 1 is a top, front, right side perspective view of a blender
base showing my new design;
FIG. 2 is a front elevational view thereof;
FIG. 3 is a rear elevational view thereof;
FIG. 4 is a left side elevational view thereof;
FIG. 5 is a right side elevational view thereof;
FIG. 6 is a top plan view thereof; and,
FIG. 7 is a bottom plan view thereof.
The broken lines of FIGS. 1-7 represent unclaimed portions
of the blender base and form no part of the claimed design.

1 Claim, 7 Drawing Sheets



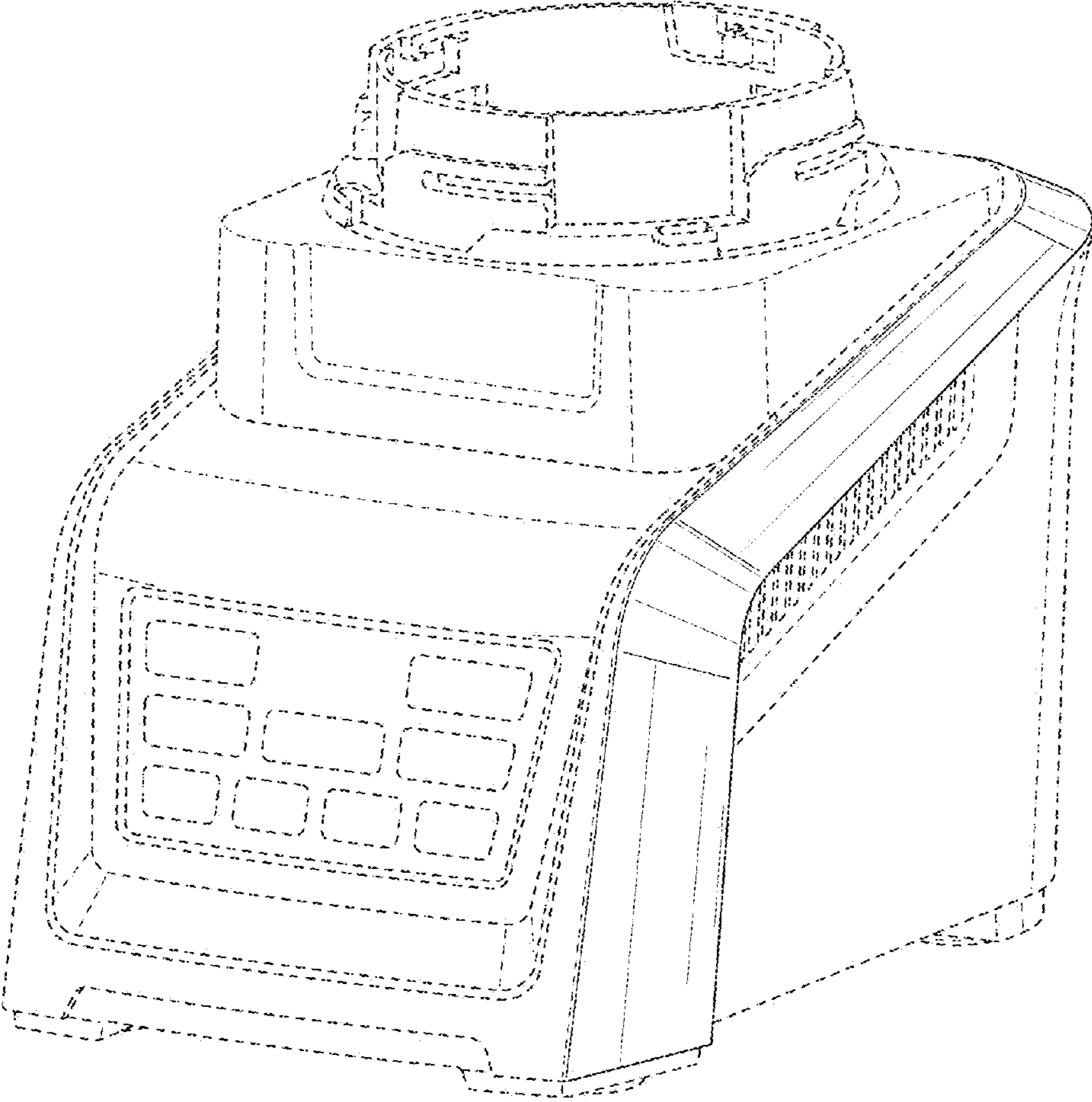


FIG. 1

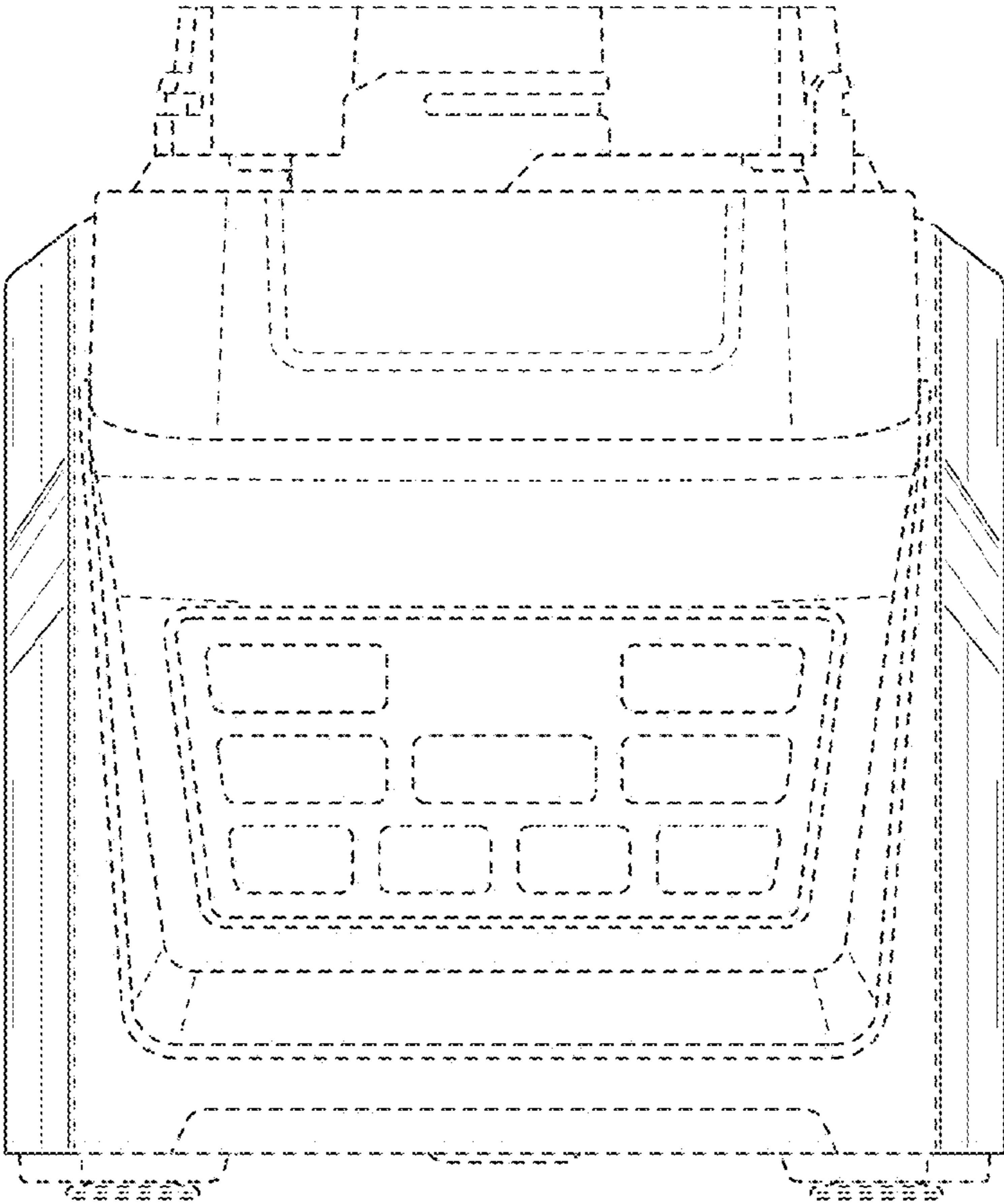


FIG. 2

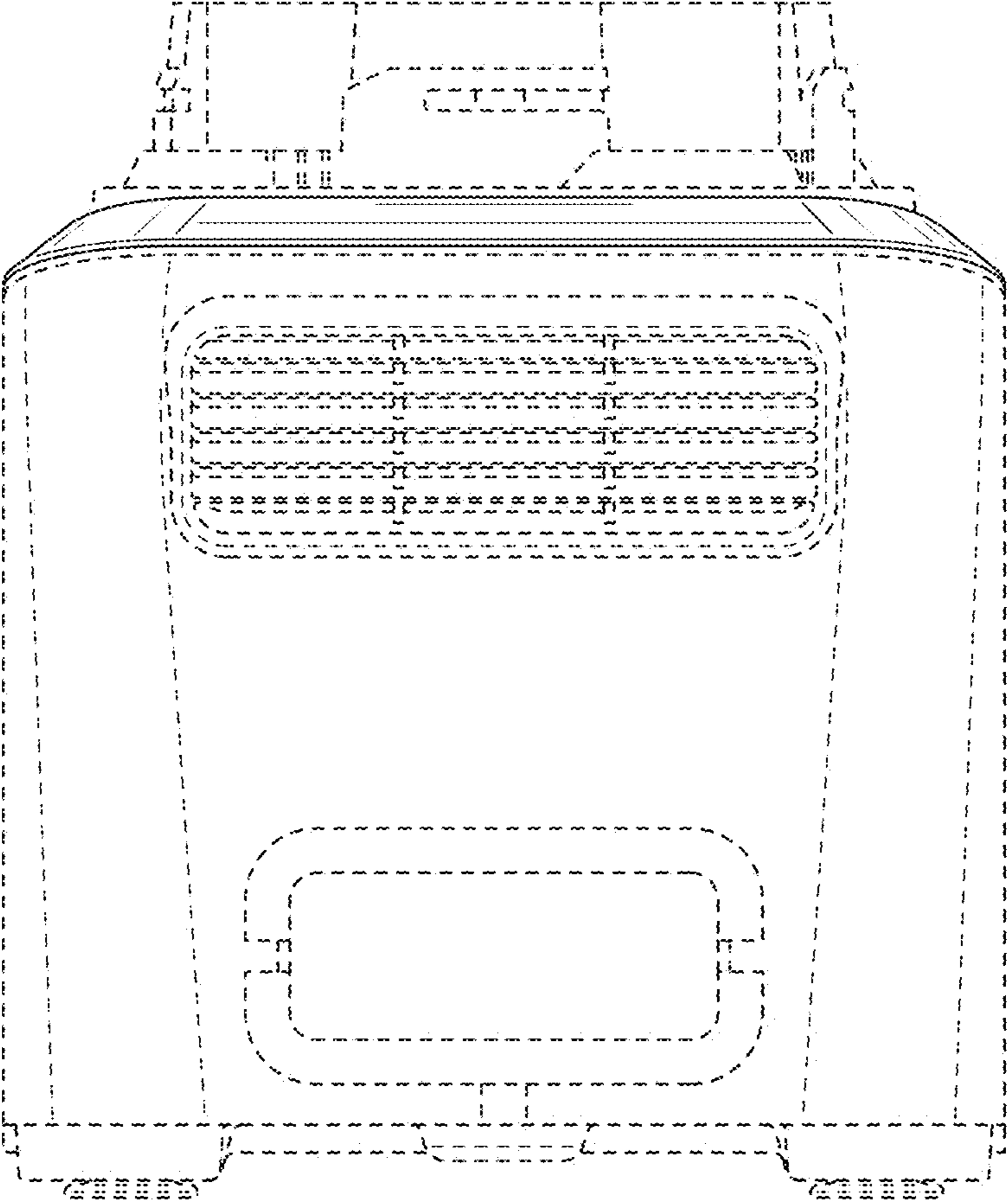


FIG. 3

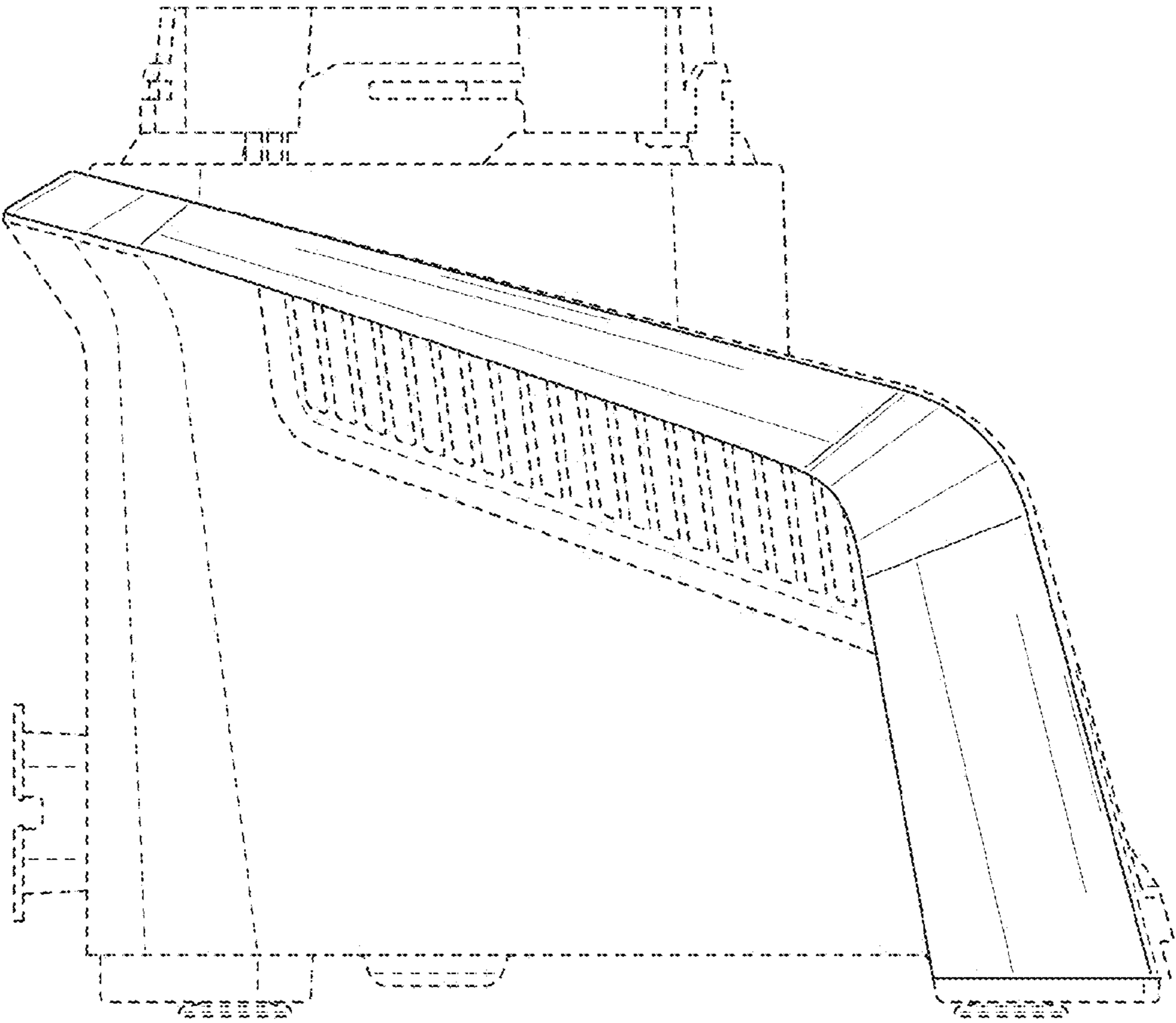


FIG. 4

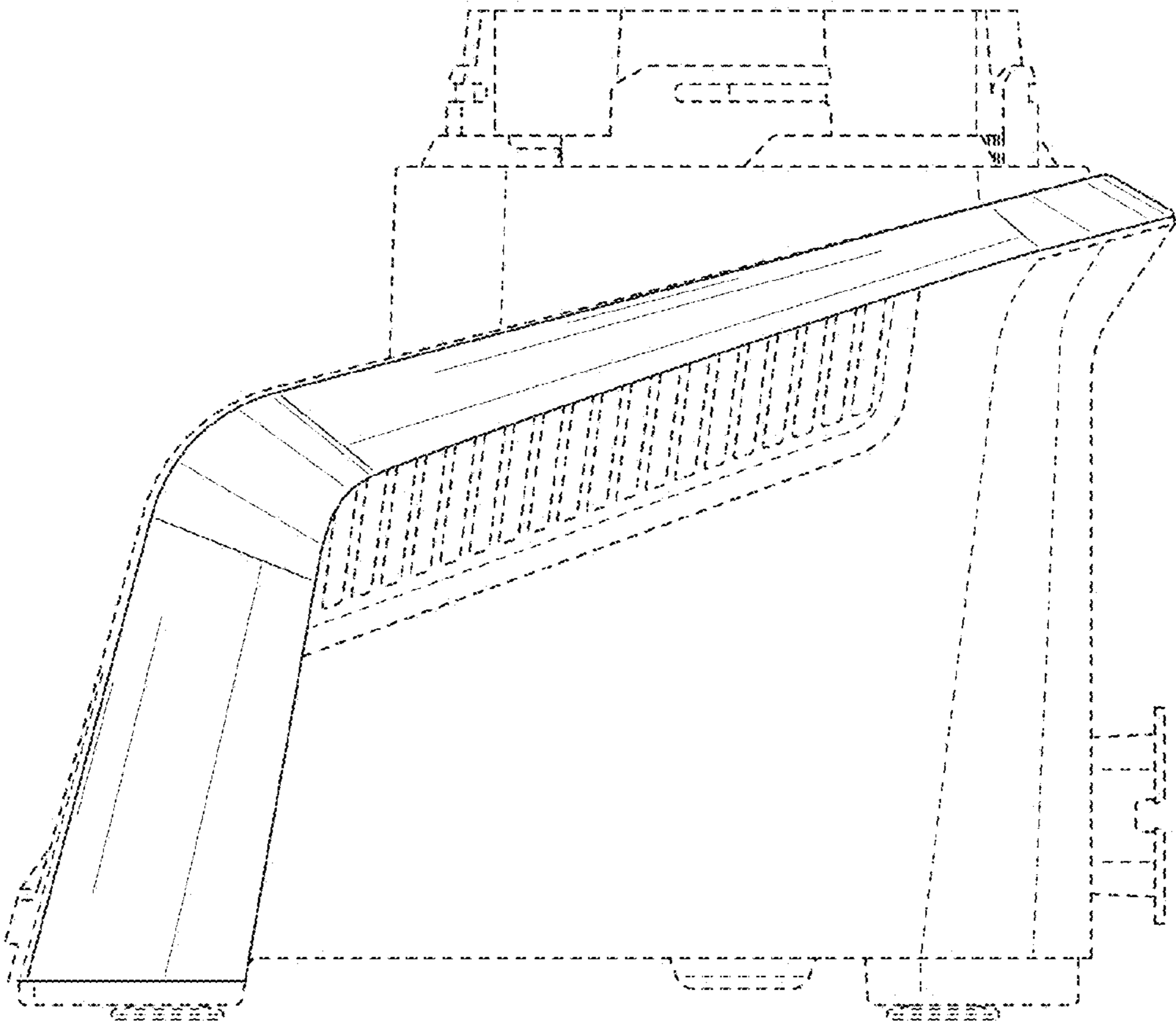


FIG. 5

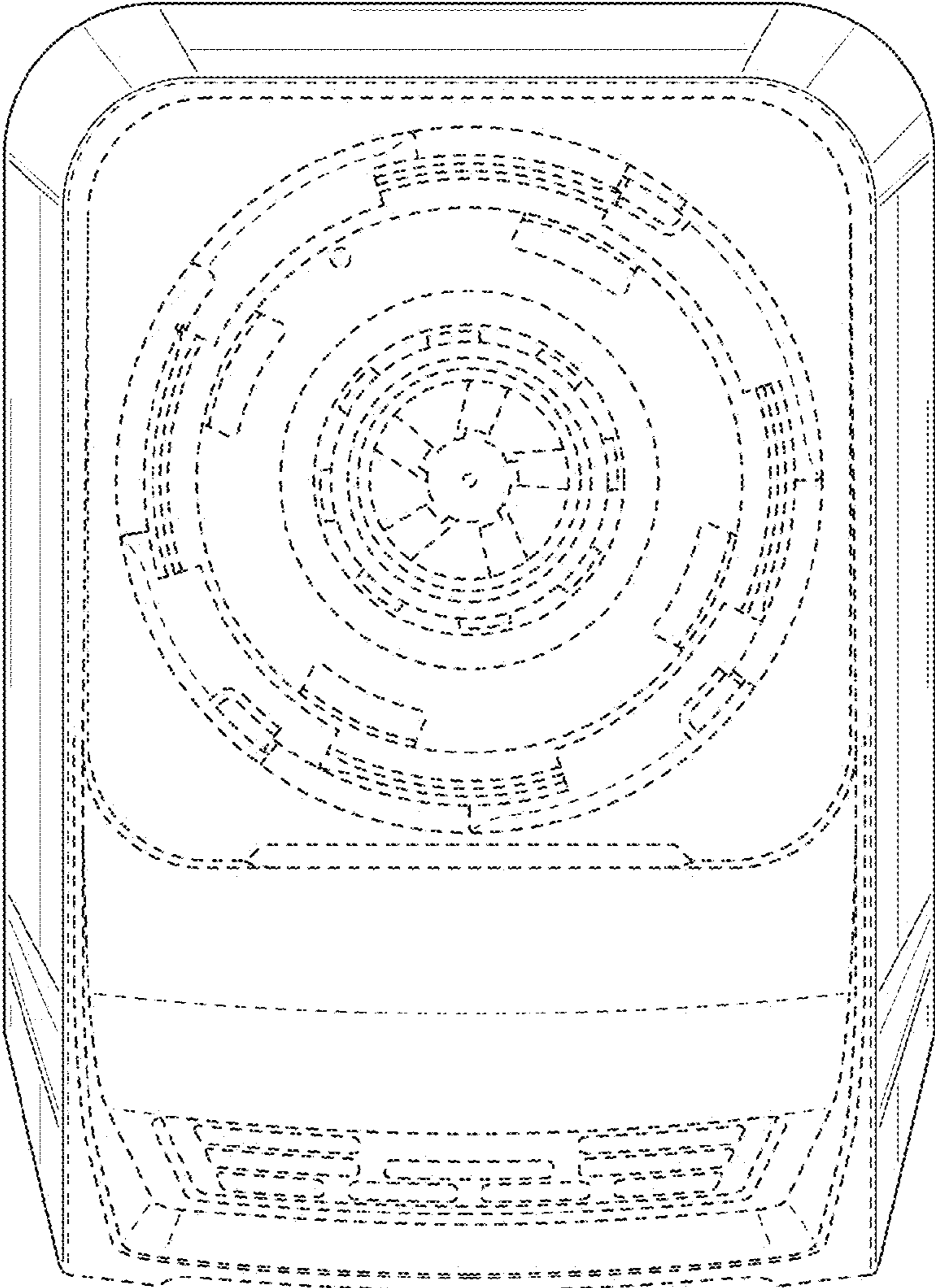


FIG. 6

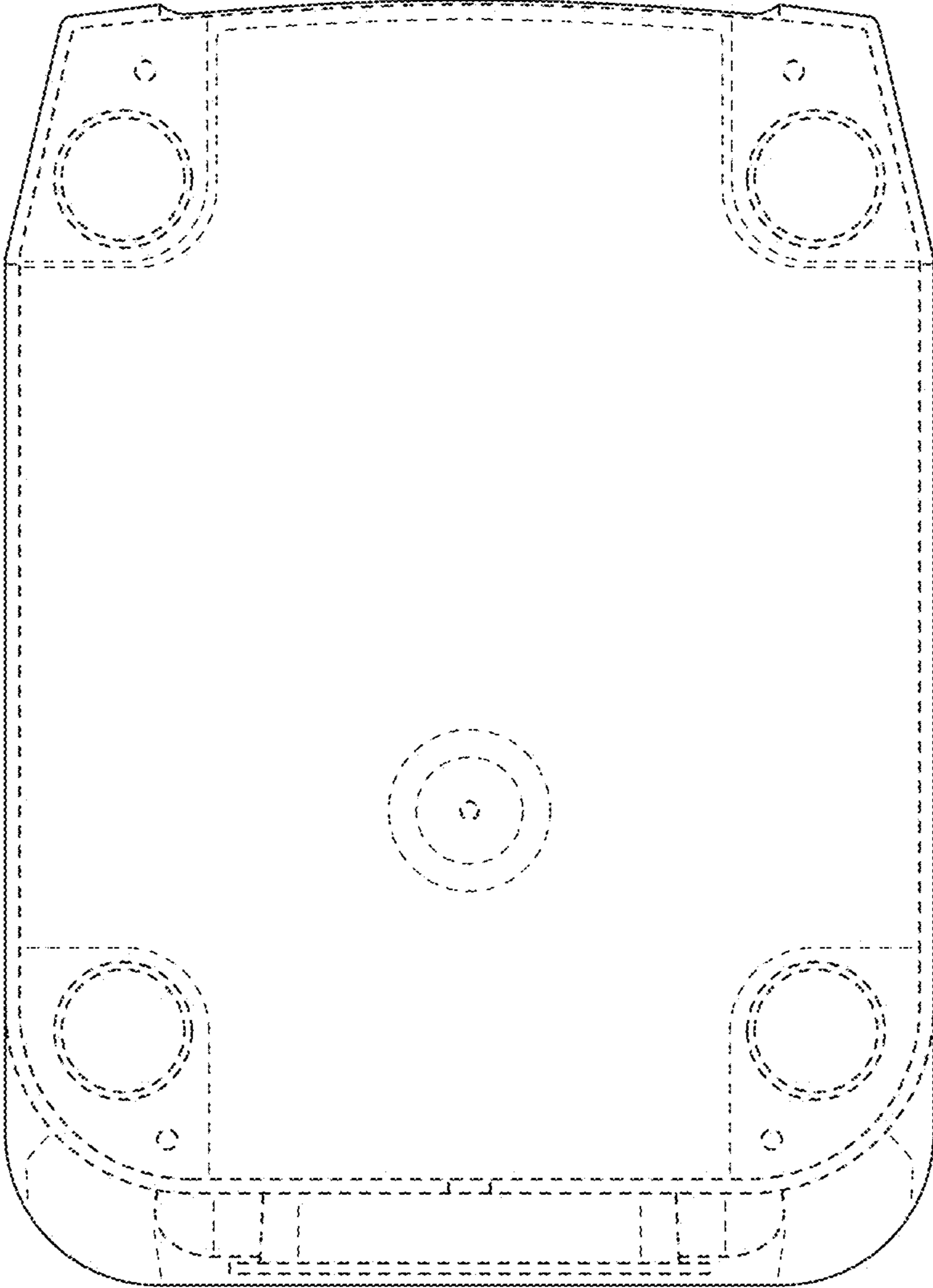


FIG. 7