



US00D733484S

(12) **United States Design Patent**
Roberson

(10) **Patent No.:** **US D733,484 S**
(45) **Date of Patent:** **** Jul. 7, 2015**

(54) **COOK TOP AND/OR COMPONENT THEREOF**

(71) Applicant: **BSH Home Appliances Corporation**, Irvine, CA (US)

(72) Inventor: **Lindsay Roberson**, Durham, NC (US)

(73) Assignee: **BSH Home Appliances Corporation**, Irvine, CA (US)

(**) Term: **14 Years**

(21) Appl. No.: **29/468,355**

(22) Filed: **Sep. 30, 2013**

(51) **LOC (10) Cl.** **07-02**

(52) **U.S. Cl.**
USPC **D7/346**

(58) **Field of Classification Search**
USPC D7/323, 336, 337, 339, 340, 346, 347, D7/348, 402-409, 387; D14/126, 335, D14/336, 371; 126/39 A, 39 R, 39 J, 211, 126/214 A, 214 C, 215-218, 152 R; 219/460.1-464.1, 506, 621-624, 627, 219/480, 483, 445.1, 660, 665, 448.1, 219/452.12; 431/10; 307/104; 99/339, 340, 99/342; 432/176
CPC F24C 15/10; F24C 15/102; H05B 3/74; H05B 6/12; H05B 6/1209; H05B 6/1263
See application file for complete search history.

(56) **References Cited**

U.S. PATENT DOCUMENTS

D560,957 S * 2/2008 Grey et al. D7/346
D563,715 S * 3/2008 Grey et al. D7/346

D563,716 S * 3/2008 Grey et al. D7/346
D606,358 S * 12/2009 Busalt et al. D7/346
D641,583 S * 7/2011 Sadtler D7/346
D655,565 S * 3/2012 Goss et al. D7/346
D671,789 S * 12/2012 Goss et al. D7/346
D690,151 S * 9/2013 Sadtler D7/346
D696,894 S * 1/2014 Meda et al. D7/346
D705,009 S * 5/2014 Kwack et al. D7/407
D708,004 S * 7/2014 Sadtler D7/346
D710,142 S * 8/2014 Knoll D7/346
D715,587 S * 10/2014 Knoll D7/346

* cited by examiner

Primary Examiner — Michael A Pratt

(74) *Attorney, Agent, or Firm* — James E. Howard; Andre Pallapies

(57) **CLAIM**

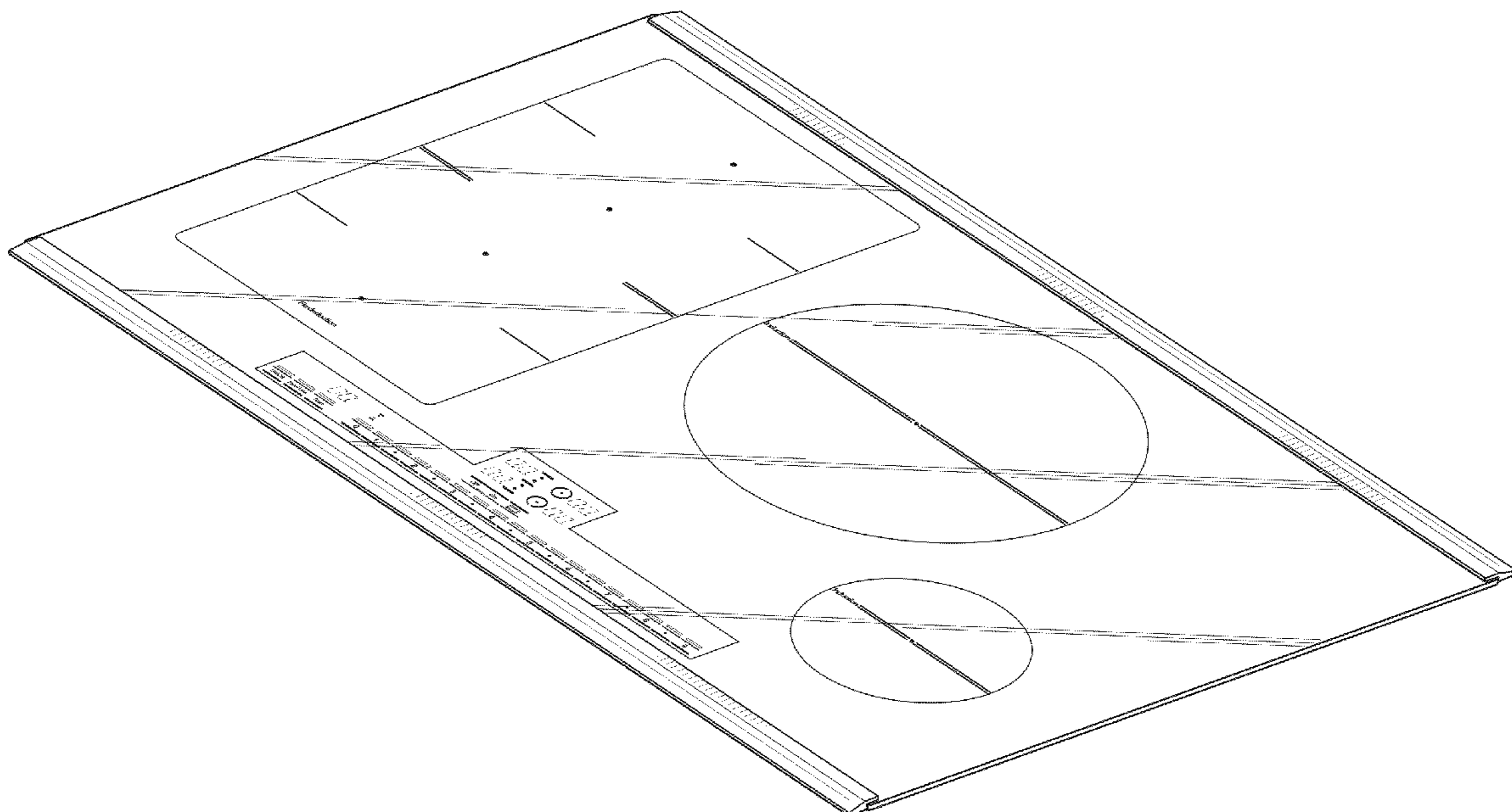
The ornamental design for a cooktop and/or components thereof, as shown and described.

DESCRIPTION

FIG. 1 is a top, front perspective view of a cook top according to an embodiment showing my new ornamental design; FIG. 2 is a top view thereof; FIG. 3 is a front view thereof, with the rear view thereof being a mirror image; FIG. 4 is a right side view thereof, with the left side thereof being a mirror image thereof; and, FIG. 5 is an enlarged detail of the user interface shown in FIG. 1.

The broken lines represent environment or structure and do not form a portion of the claimed design. In the embodiment, one or more views may be missing, which is an indication that the missing view is either not ornamented or is not claimed in that particular embodiment.

1 Claim, 4 Drawing Sheets



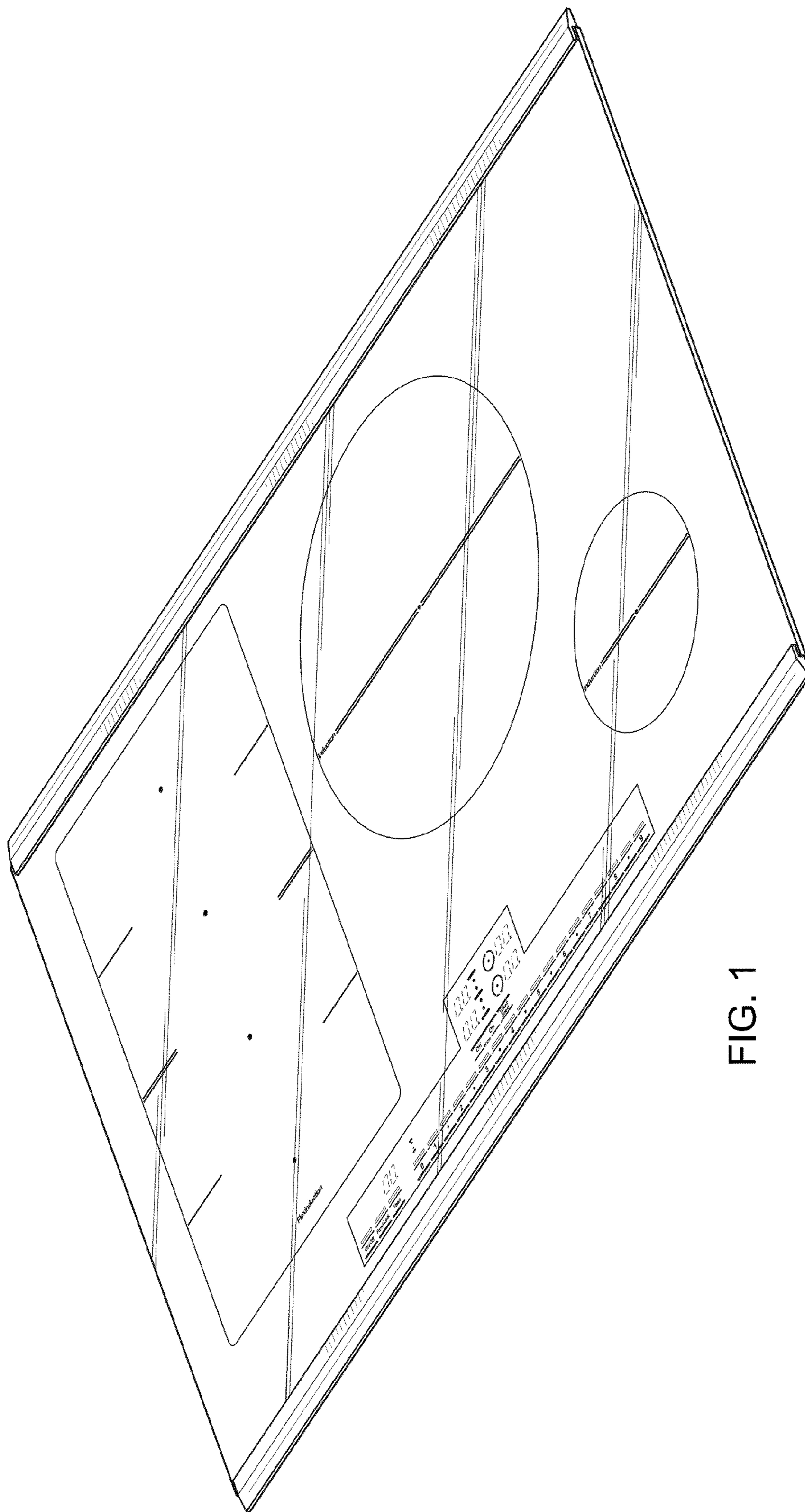


FIG. 1

FIG. 2

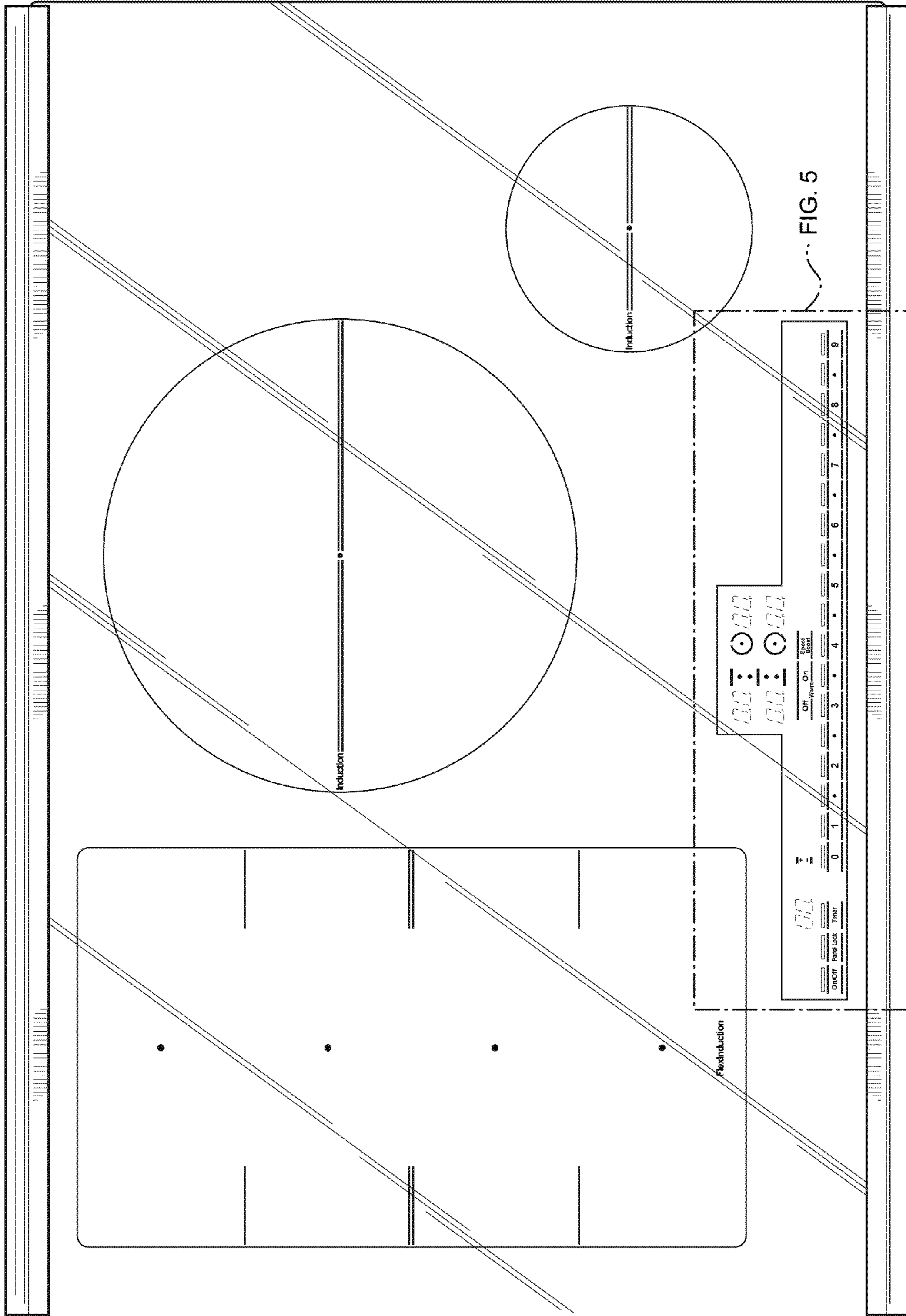


FIG. 5

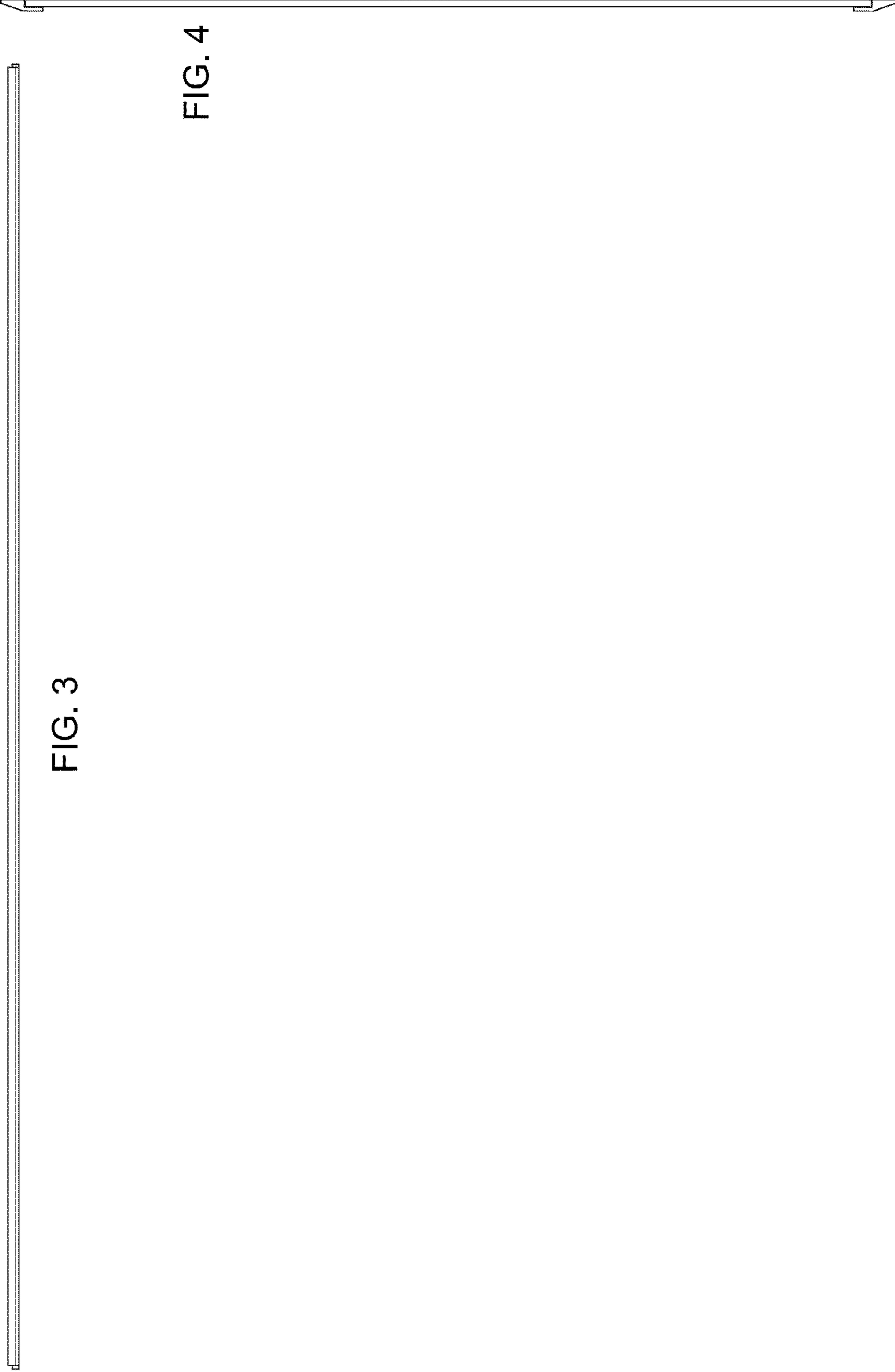


FIG. 3

FIG. 4

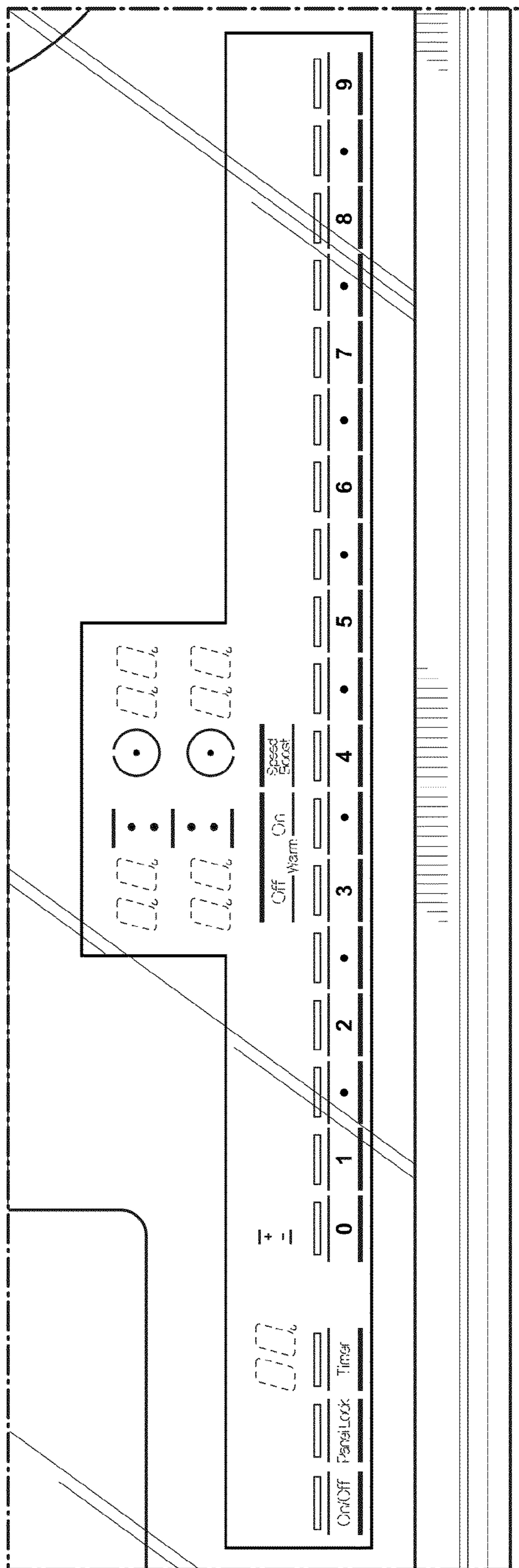


FIG. 5