



US00D733483S

(12) **United States Design Patent**
Baker et al.

(10) **Patent No.:** **US D733,483 S**
(45) **Date of Patent:** **** Jul. 7, 2015**

(54) **PORTABLE BARBECUE GRILL**

(71) Applicant: **GMG Products, LLC**, Reno, NV (US)

(72) Inventors: **David Baker**, Reno, NV (US); **Ping Wang**, Wuhan (CH)

(73) Assignee: **GMG Products LLC**, Reno, NV (US)

(**) Term: **14 Years**

(21) Appl. No.: **29/464,797**

(22) Filed: **Aug. 21, 2013**

(51) **LOC (10) Cl.** **07-02**

(52) **U.S. Cl.**
USPC **D7/332**

(58) **Field of Classification Search**

USPC D7/332, 334-337, 402-406; 126/25 R,
126/25 A, 25 AA, 37 R, 41 R, 41 A, 40, 39 M,
126/50, 214 D, 289, 285 R, 505, 506, 276,
126/312, 29-30, 154, 337 A, 83, 275 R, 9 R,
126/39 E, 39 K, 39 J, 39 N, 41 B, 42;
D8/380-381, 373, 354; 248/354.6,
248/354.4, 354.5, 354.1, 207, 213.2,
248/220.21, 309.1, 311.2, 316.1, 243, 247;
99/393, 402; D21/541, 549, 550, 548;
D34/16

CPC A47J 37/07-37/079; A47J 2037/0777
See application file for complete search history.

(56) **References Cited**

U.S. PATENT DOCUMENTS

D206,977	S	*	2/1967	Koziol	D7/335
D299,406	S	*	1/1989	Jacober	D7/332
4,878,476	A	*	11/1989	Oliphant	126/9 R
5,048,505	A	*	9/1991	Hait	126/9 R
2010/0031950	A1	*	2/2010	Paslawski	126/25 R
2013/0298894	A1	*	11/2013	Kleinsasser	126/25 R

* cited by examiner

Primary Examiner — Ruth McInroy

(74) *Attorney, Agent, or Firm* — Majesty Law Group

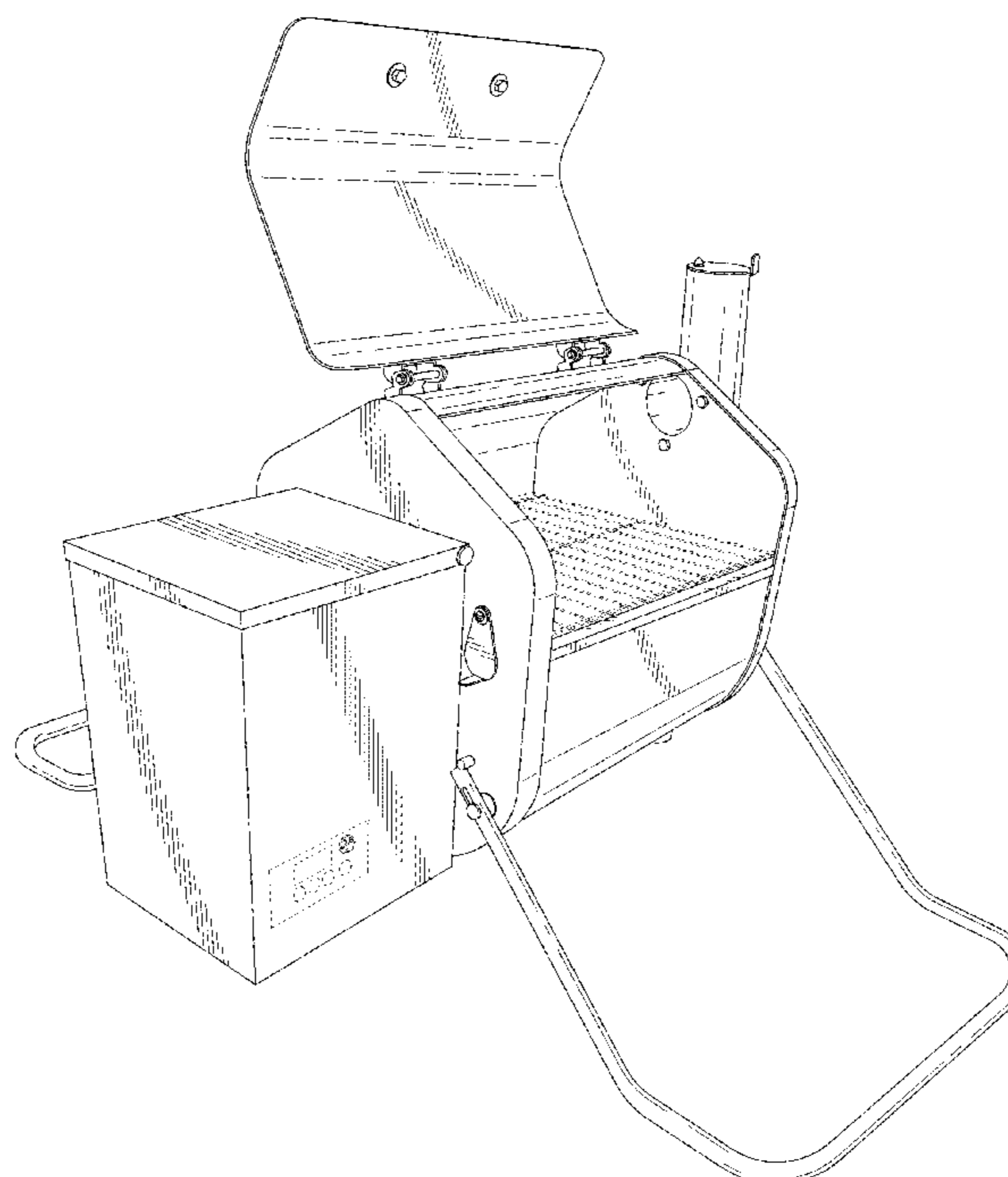
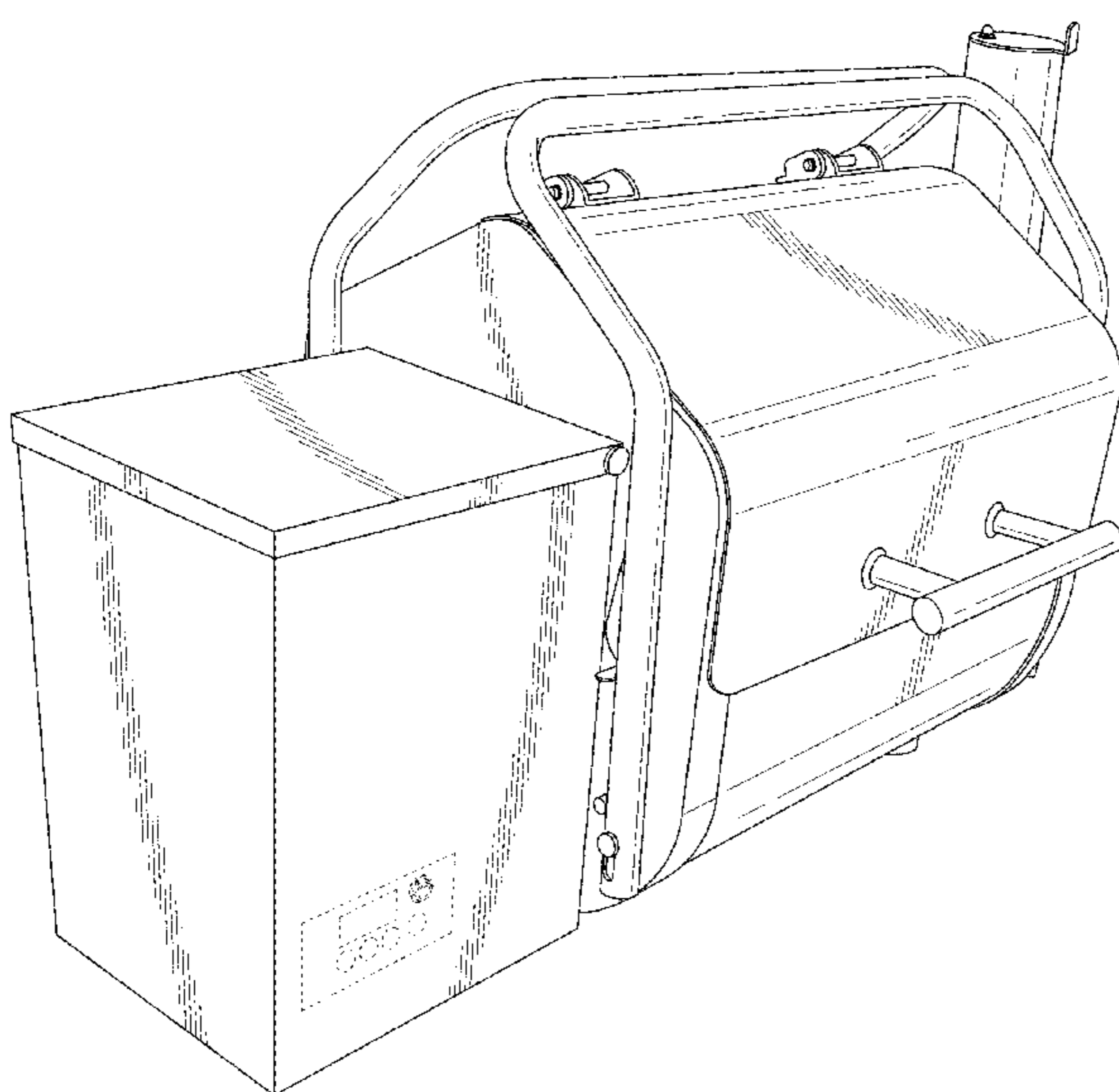
(57) **CLAIM**

We claim the ornamental design for a portable barbecue grill, as shown and described.

DESCRIPTION

FIG. 1 is a left side and front perspective view of a portable barbecue grill, when closed, embodying my design.
FIG. 2 is a front elevational view thereof.
FIG. 3 is a rear elevational view thereof.
FIG. 4 is a top plan view thereof.
FIG. 5 is a bottom plan view thereof.
FIG. 6 is a left side elevational view thereof.
FIG. 7 is a right side elevational view thereof; and,
FIG. 8 is a left side and front perspective view of a portable barbecue grill, when open, embodying my design.
The details shown in broken lines form no part of the claimed design.

1 Claim, 7 Drawing Sheets



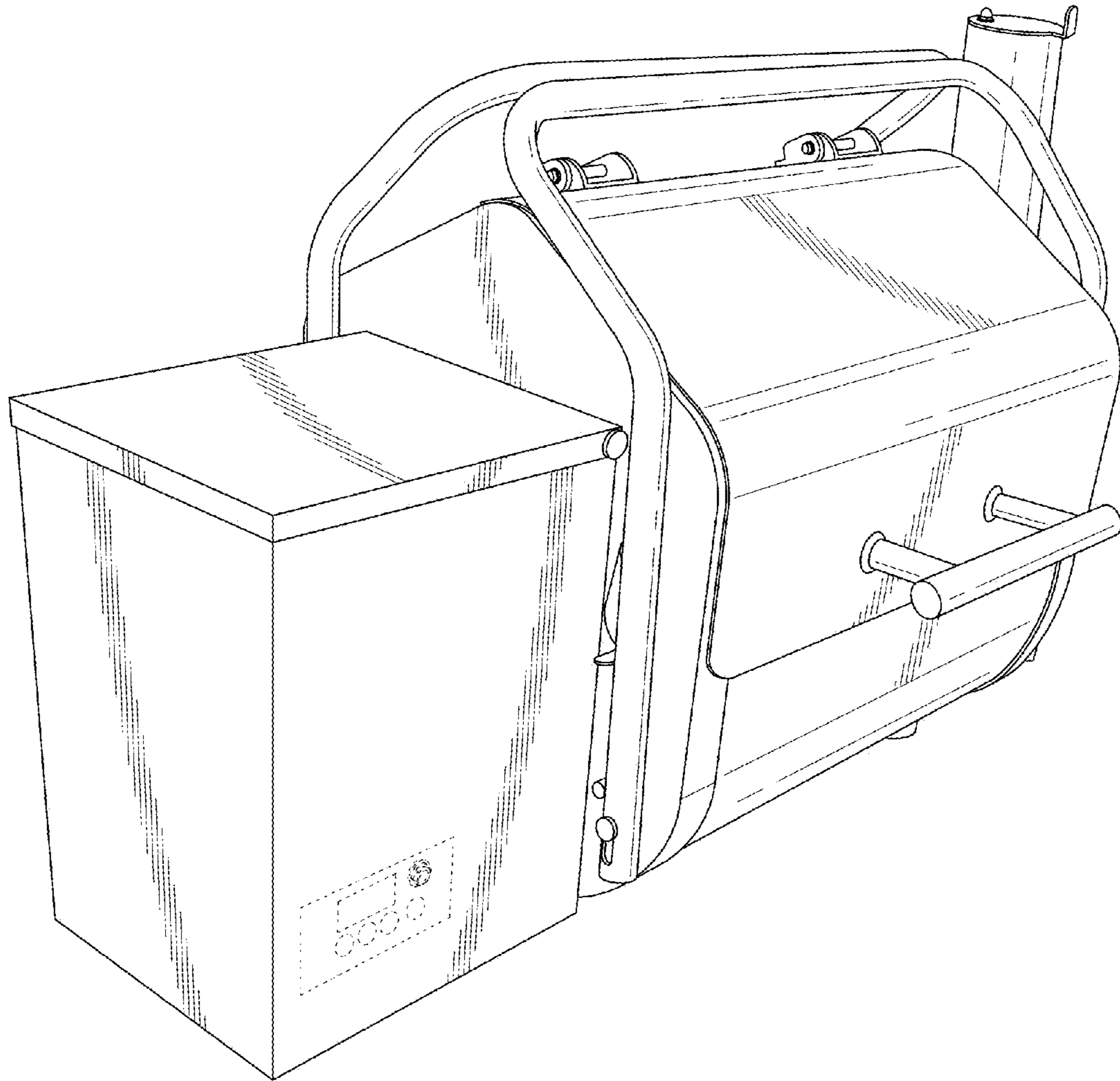


FIG. 1

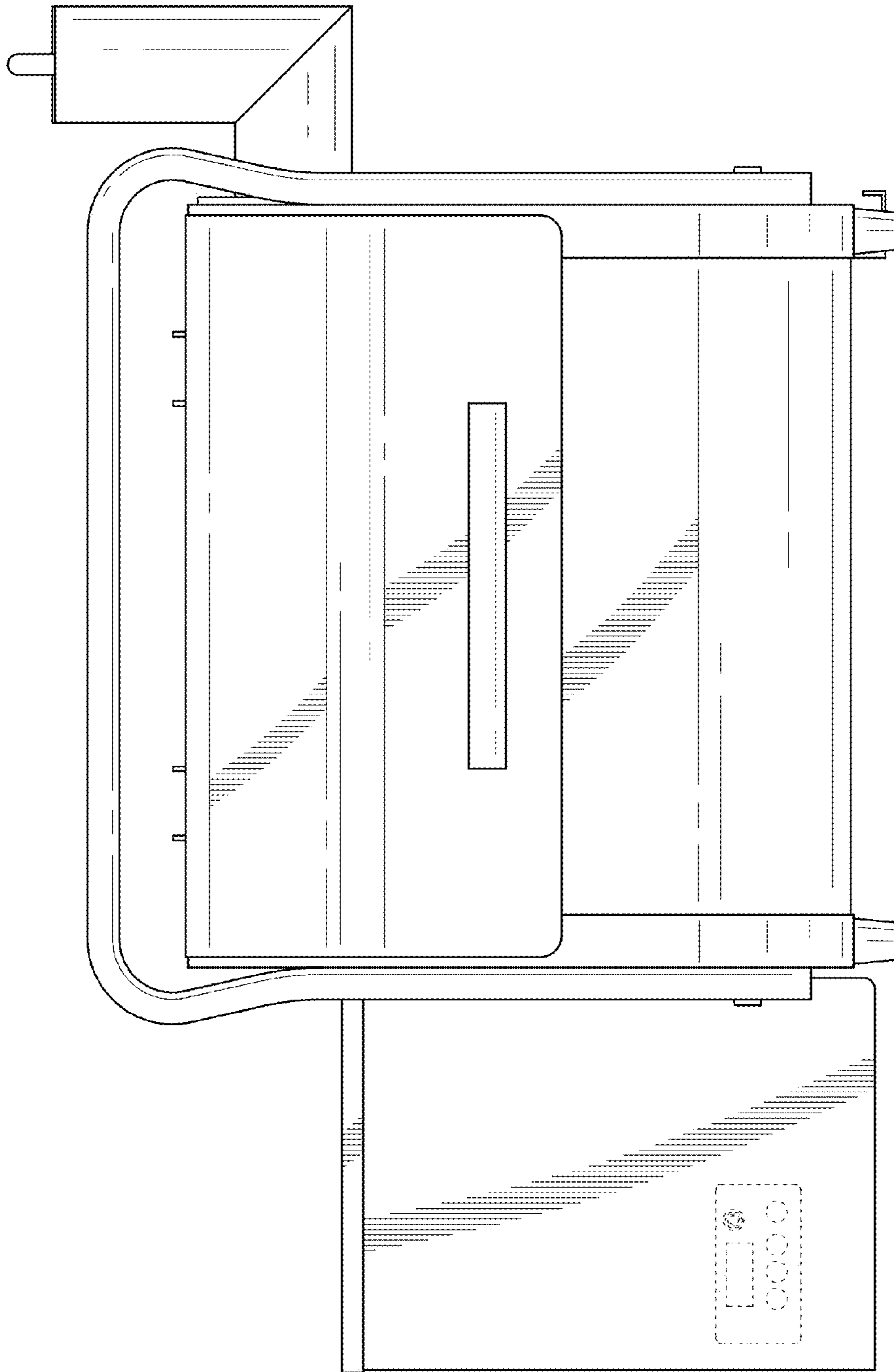


FIG. 2

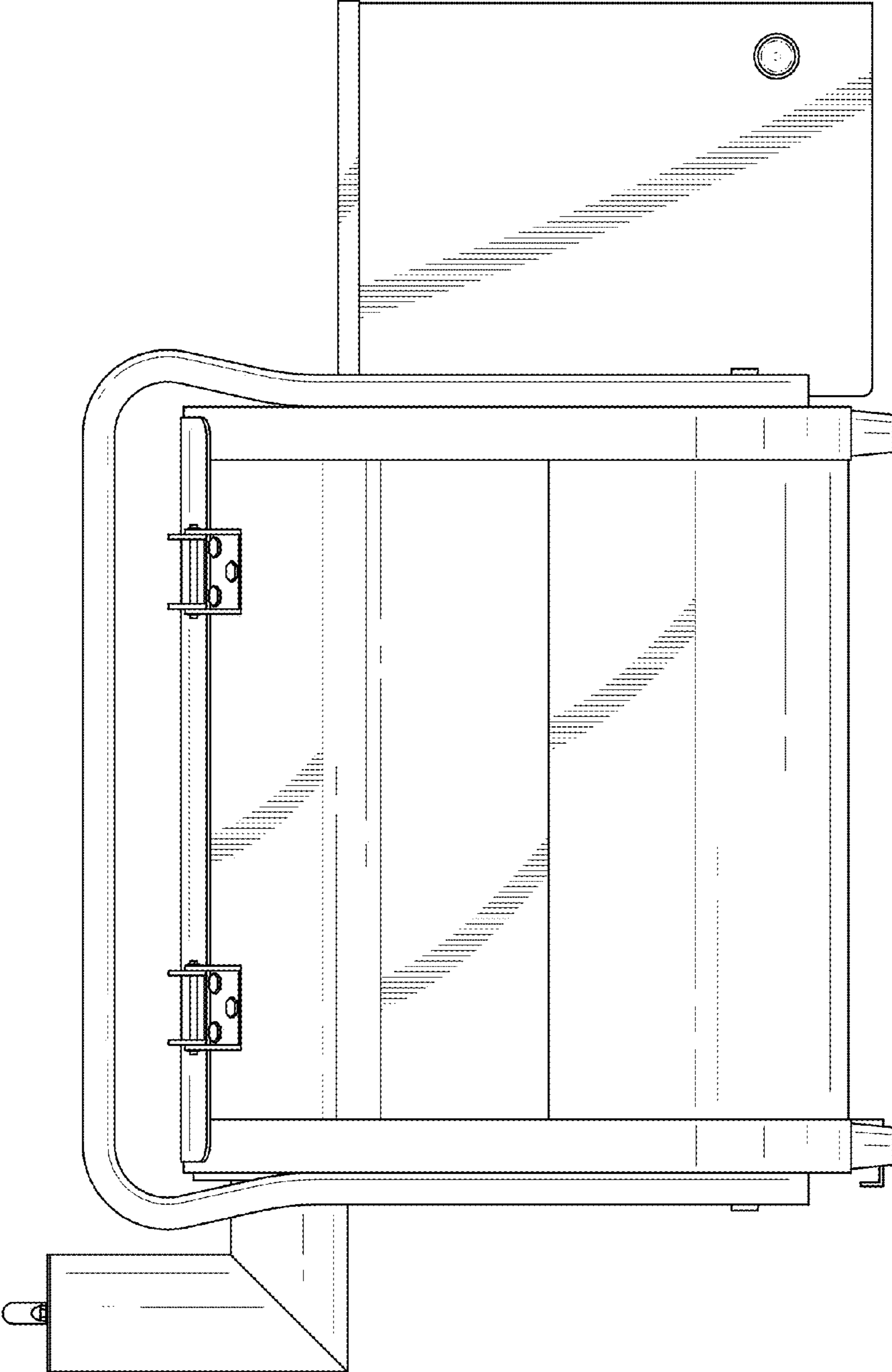


FIG. 3

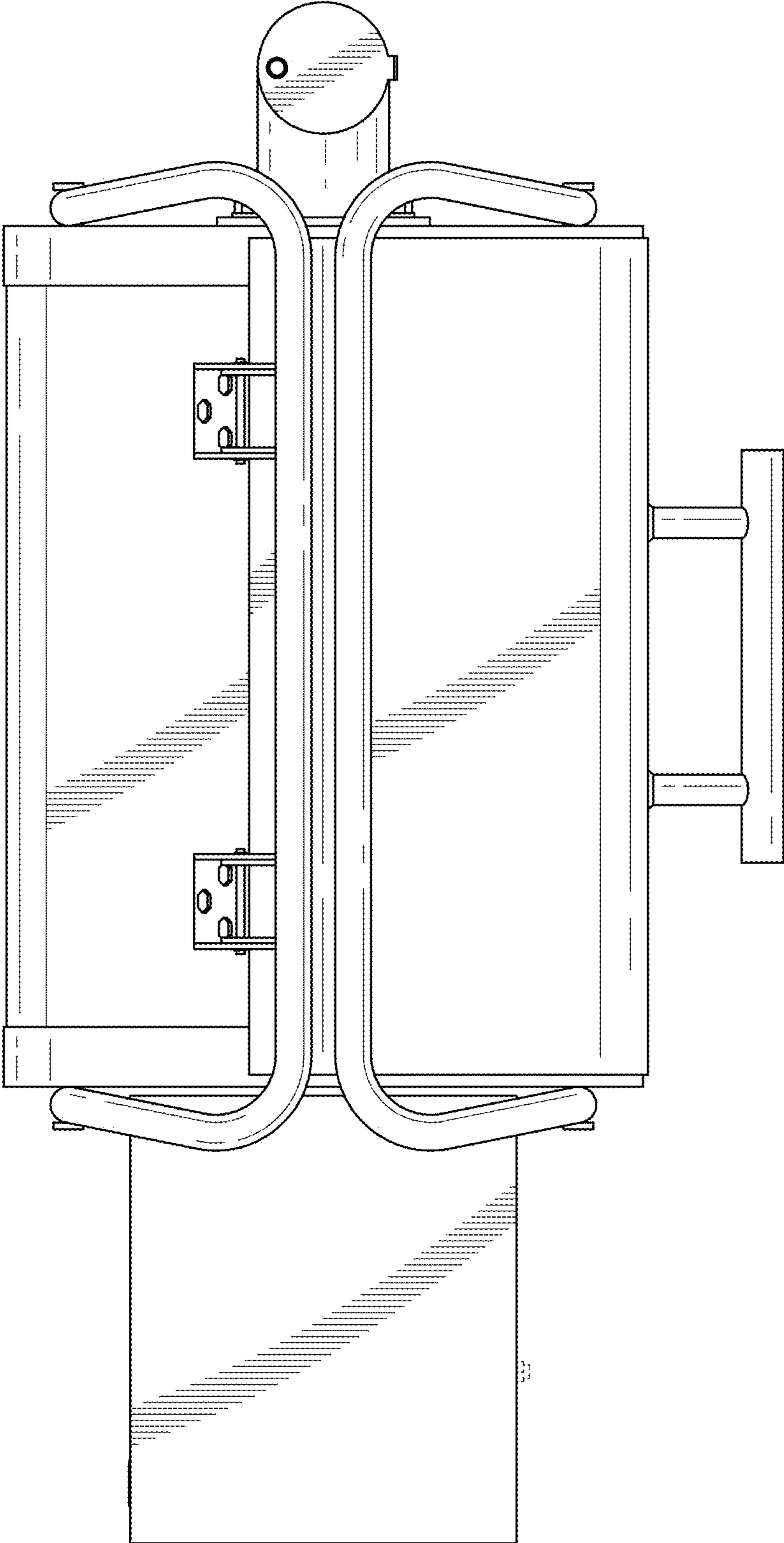


FIG. 4

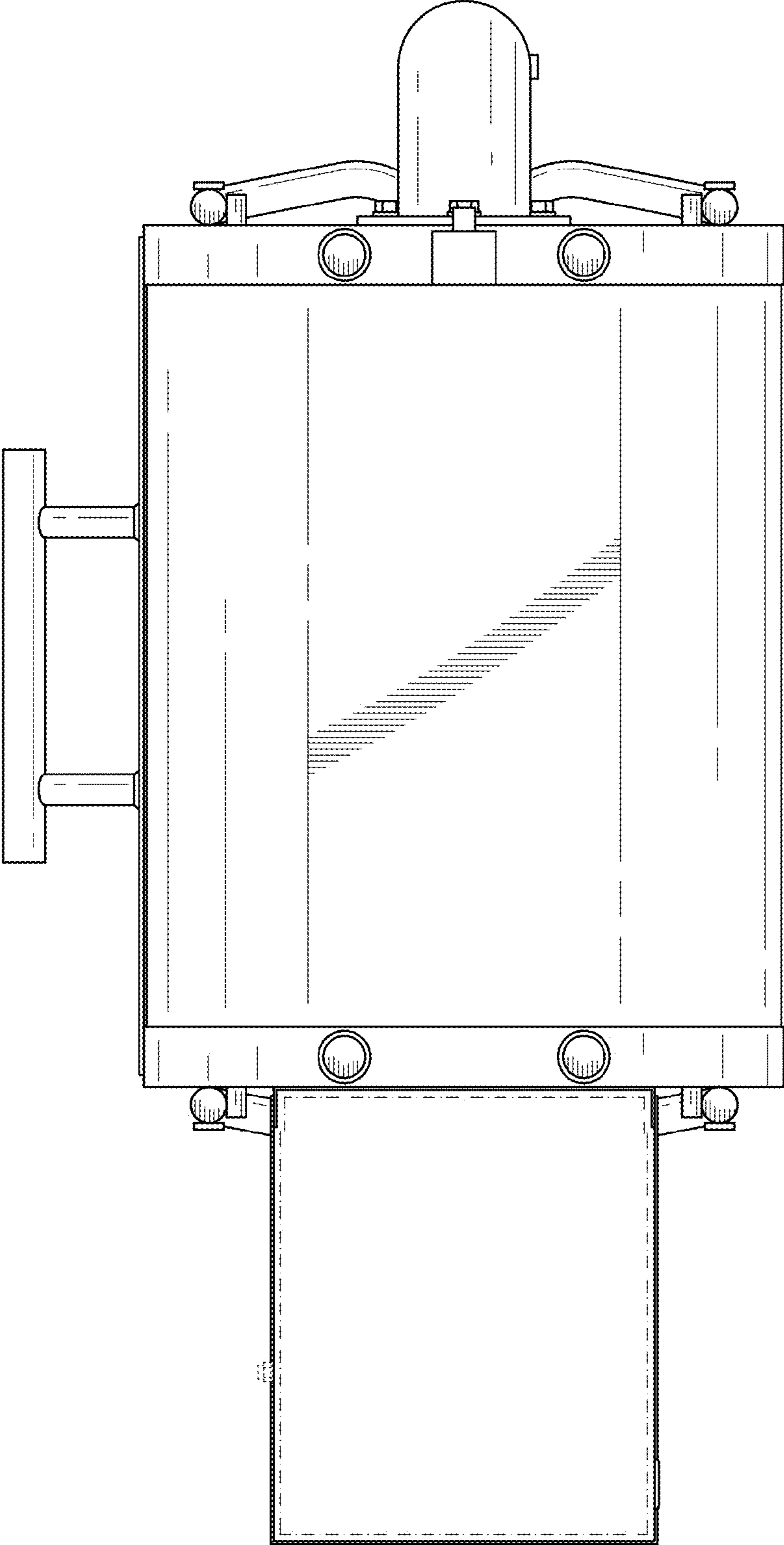


FIG. 5

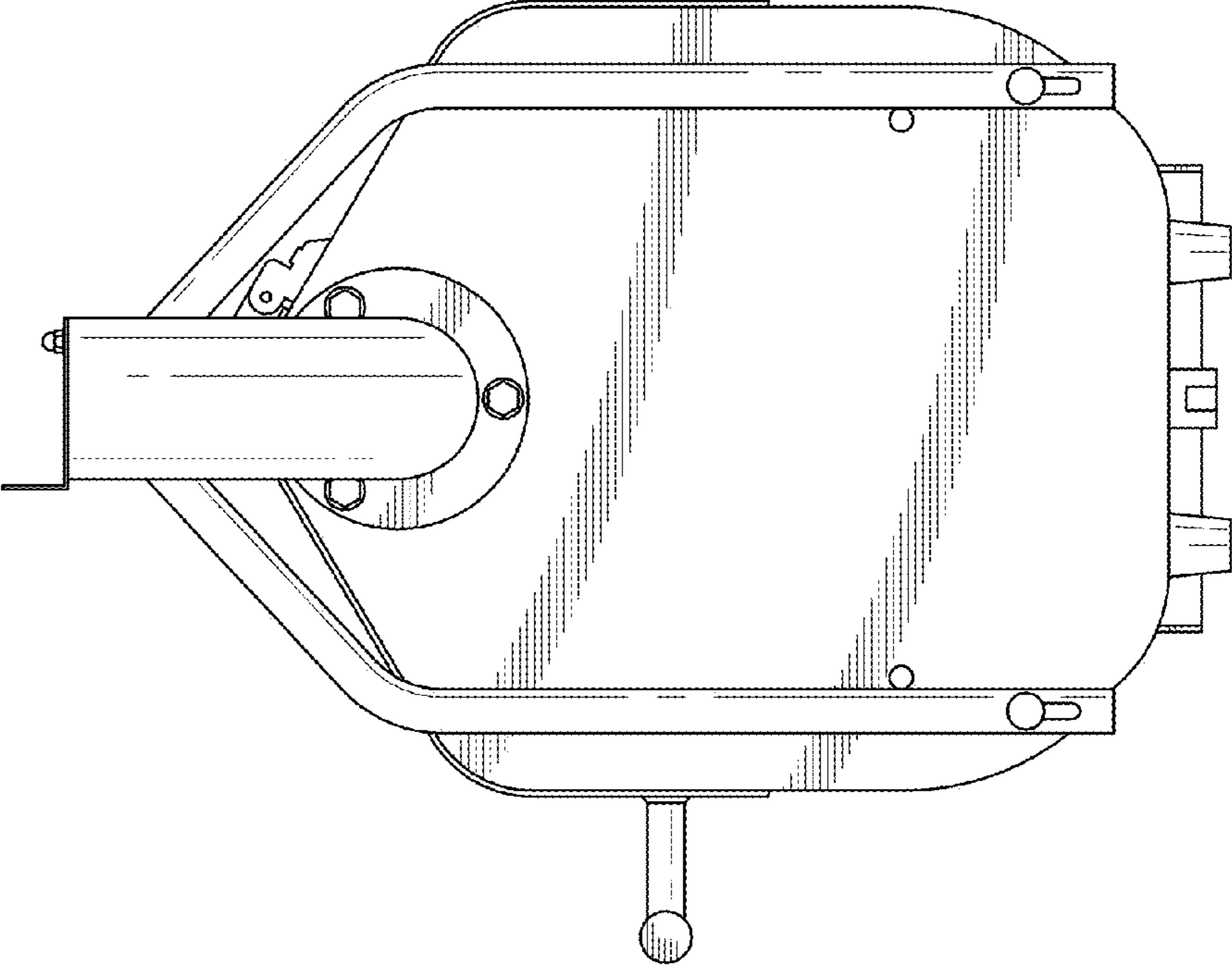


FIG. 7

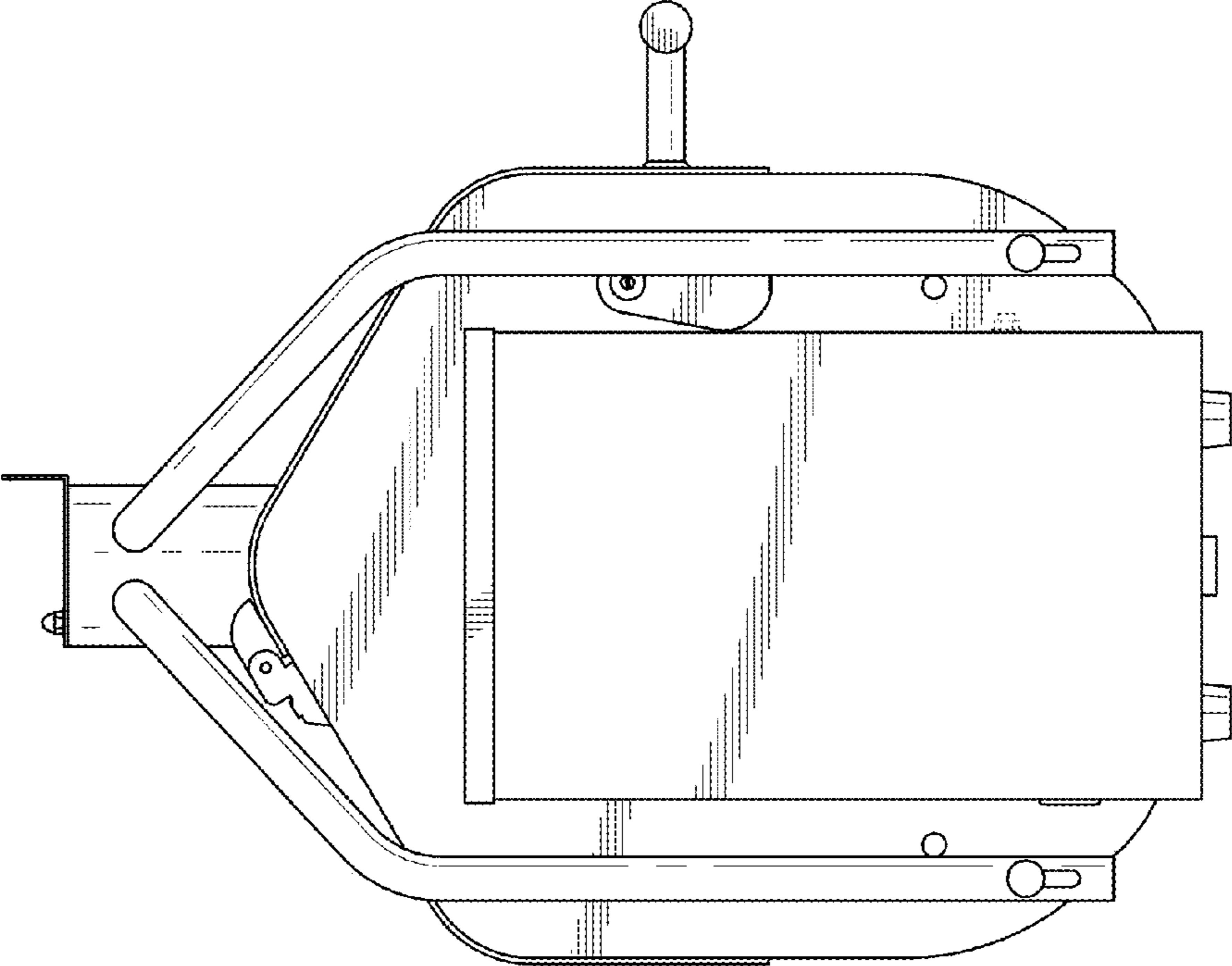


FIG. 6

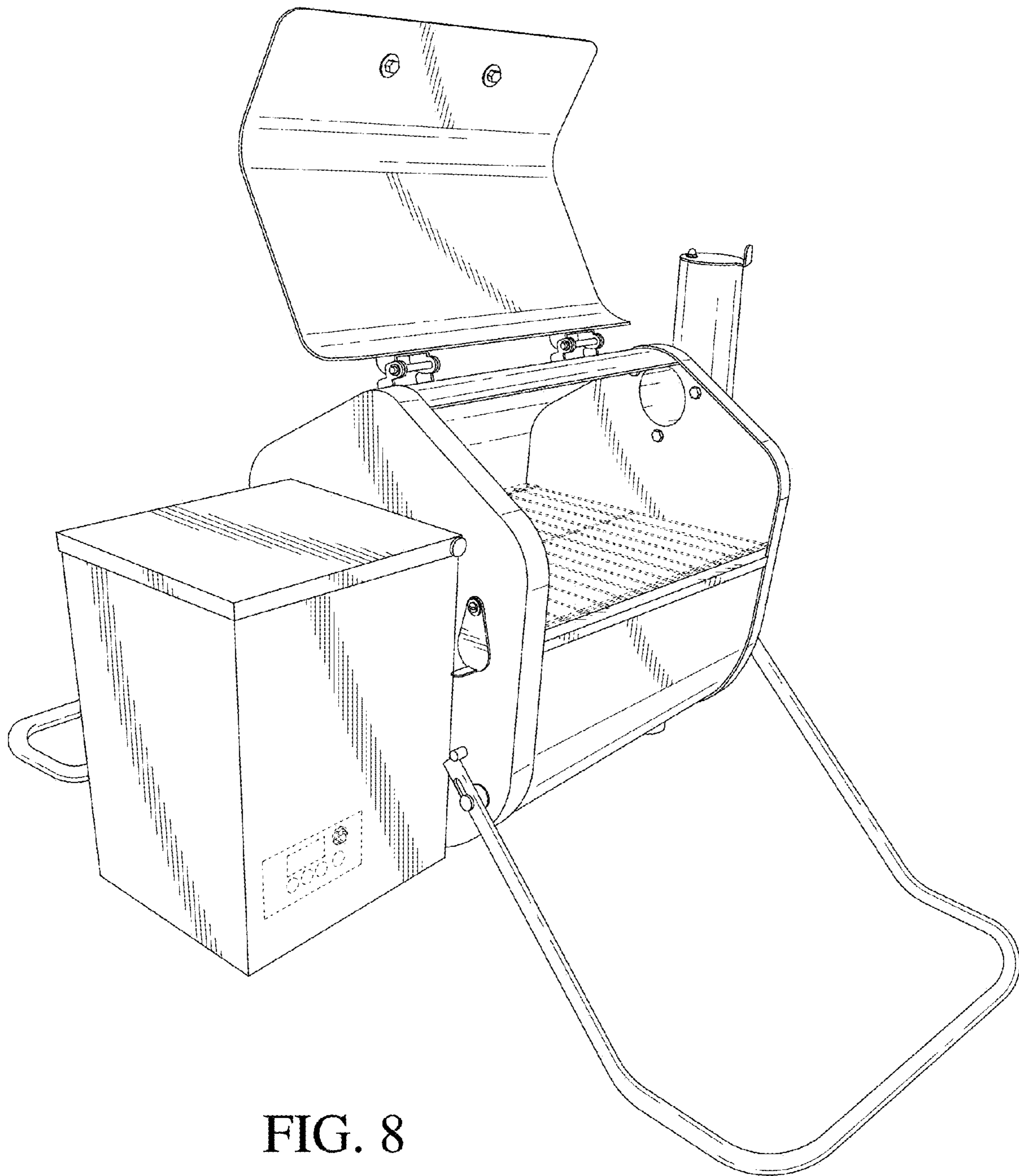


FIG. 8