



US00D733482S

(12) **United States Design Patent**
Toh et al.

(10) **Patent No.:** **US D733,482 S**
(45) **Date of Patent:** **** Jul. 7, 2015**

(54) **COUNTERTOP DRINKING WATER SYSTEM WITH COVER**

(71) Applicant: **KX Technologies LLC**, West Haven, CT (US)

(72) Inventors: **Amos Toh**, Loyang (SG); **Erik R. Klimpel**, Woodbury, MN (US); **Stephen P. Huda**, Shelton, CT (US); **Michael J. Sherman**, Woodbury, MN (US); **Pradeep Verma**, New Delhi (IN)

(73) Assignee: **Marmon Water (Singapore) Pte. Ltd.**, Singapore (SG)

(**) Term: **14 Years**

(21) Appl. No.: **29/498,111**

(22) Filed: **Jul. 31, 2014**

(51) **LOC (10) Cl.** **07-01**

(52) **U.S. Cl.**
USPC **D7/306; D7/312; D7/313; D23/202; D23/209**

(58) **Field of Classification Search**

USPC D7/306–311, 305, 300, 313, 605, 608, D7/320, 312, 321, 304, 612, 613; 99/279, 99/284, 290, 280, 299, 307, 285, 305, 99/323.1, 312; 222/23, 129.1, 209, 222/189.06; 62/395; D20/1; D23/209, 207, D23/202, 201; D6/543; D34/39; D9/633, D9/773

CPC A47J 31/44; A47J 31/00; B67D 1/0041; B67D 3/00

See application file for complete search history.

(56) **References Cited**

U.S. PATENT DOCUMENTS

D323,875 S * 2/1992 Kang et al. D23/209
D361,822 S * 8/1995 Fujinaka et al. D23/202
D426,418 S * 6/2000 Norvell et al. D7/306
D484,231 S * 12/2003 Kudo D23/372

D636,214 S * 4/2011 Parker et al. D7/306
8,002,145 B2 * 8/2011 Anjos 222/105
D654,754 S * 2/2012 Zoppellari D7/306
D707,792 S * 6/2014 Collins et al. D23/209
D708,000 S * 7/2014 Liu D7/306
D718,573 S * 12/2014 De Pra D7/397

* cited by examiner

Primary Examiner — Marianne Pandozzi

(74) *Attorney, Agent, or Firm* — Robert Curcio; DeLio, Peterson & Curcio, LLC

(57) **CLAIM**

We claim the ornamental design for a “countertop drinking water system with cover”, as shown and described.

DESCRIPTION

FIG. 1 is a right front top perspective view of the “countertop drinking water system with cover” according to the present invention;

FIG. 2 is a left front top perspective view of the “countertop drinking water system with cover” according to the present invention;

FIG. 3 is a right front bottom perspective view of the “countertop drinking water system with cover” according to the present invention;

FIG. 4 is a left front bottom perspective view of the “countertop drinking water system with cover” according to the present invention;

FIG. 5 is a front view of the “countertop drinking water system with cover” according to the present invention;

FIG. 6 is a rear view of the “countertop drinking water system with cover” according to the present invention;

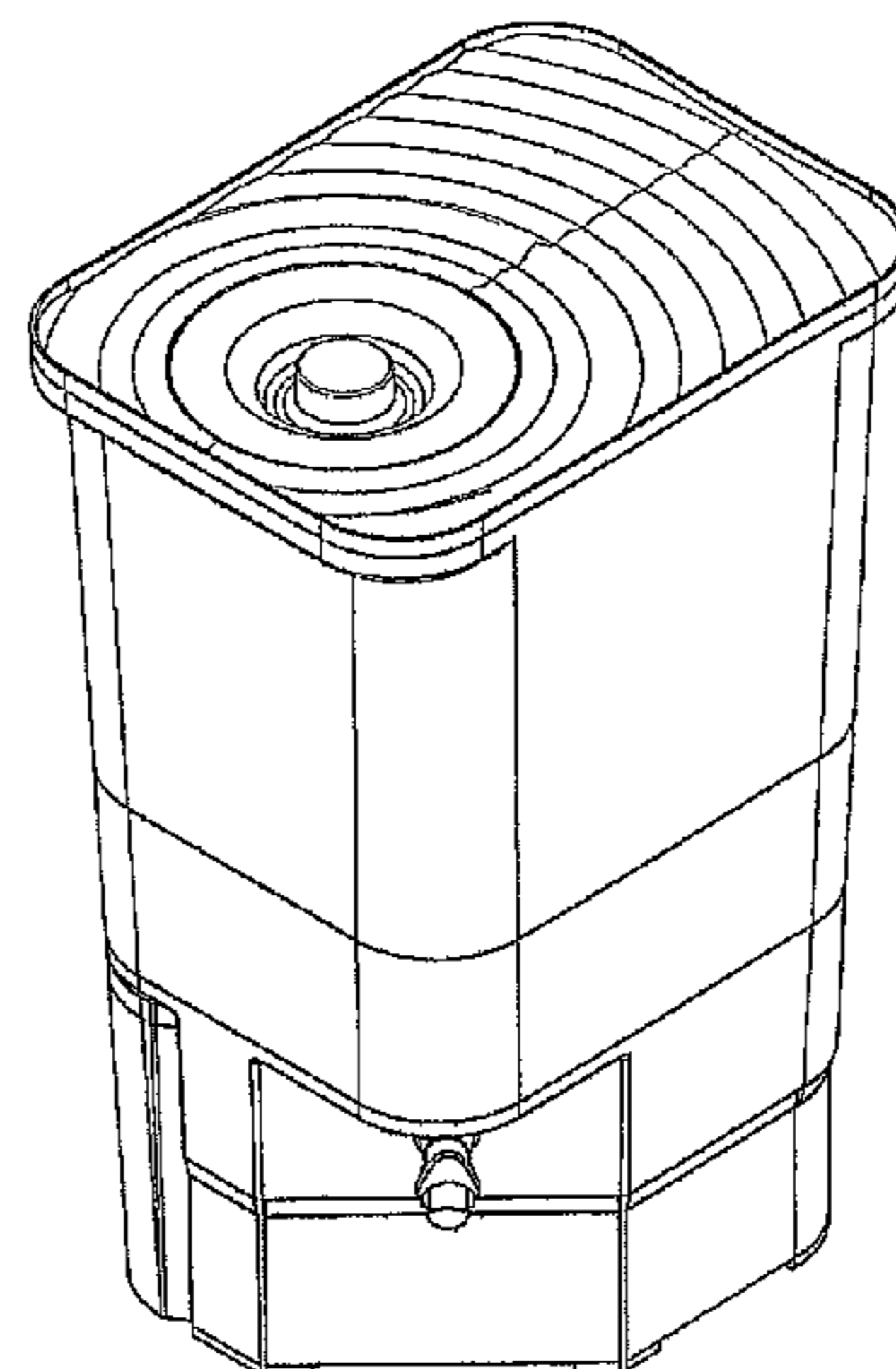
FIG. 7 is a right side view of the “countertop drinking water system with cover” according to the present invention;

FIG. 8 is a left side view of the “countertop drinking water system with cover” according to the present invention;

FIG. 9 is a top view of the “countertop drinking water system with cover” according to the present invention; and,

FIG. 10 is a bottom view of the “countertop drinking water system with cover” according to the present invention.

1 Claim, 5 Drawing Sheets



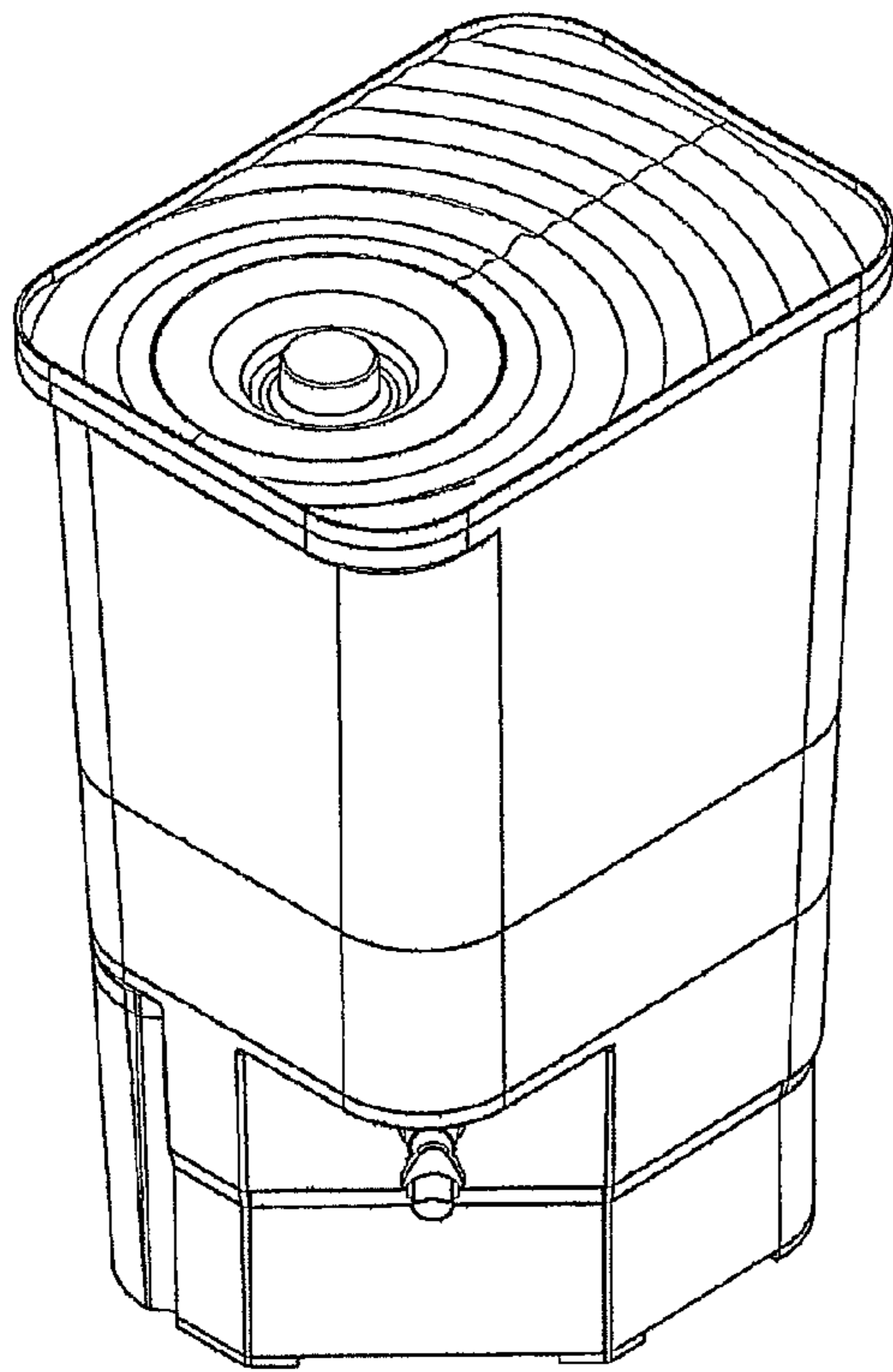


FIG. 1

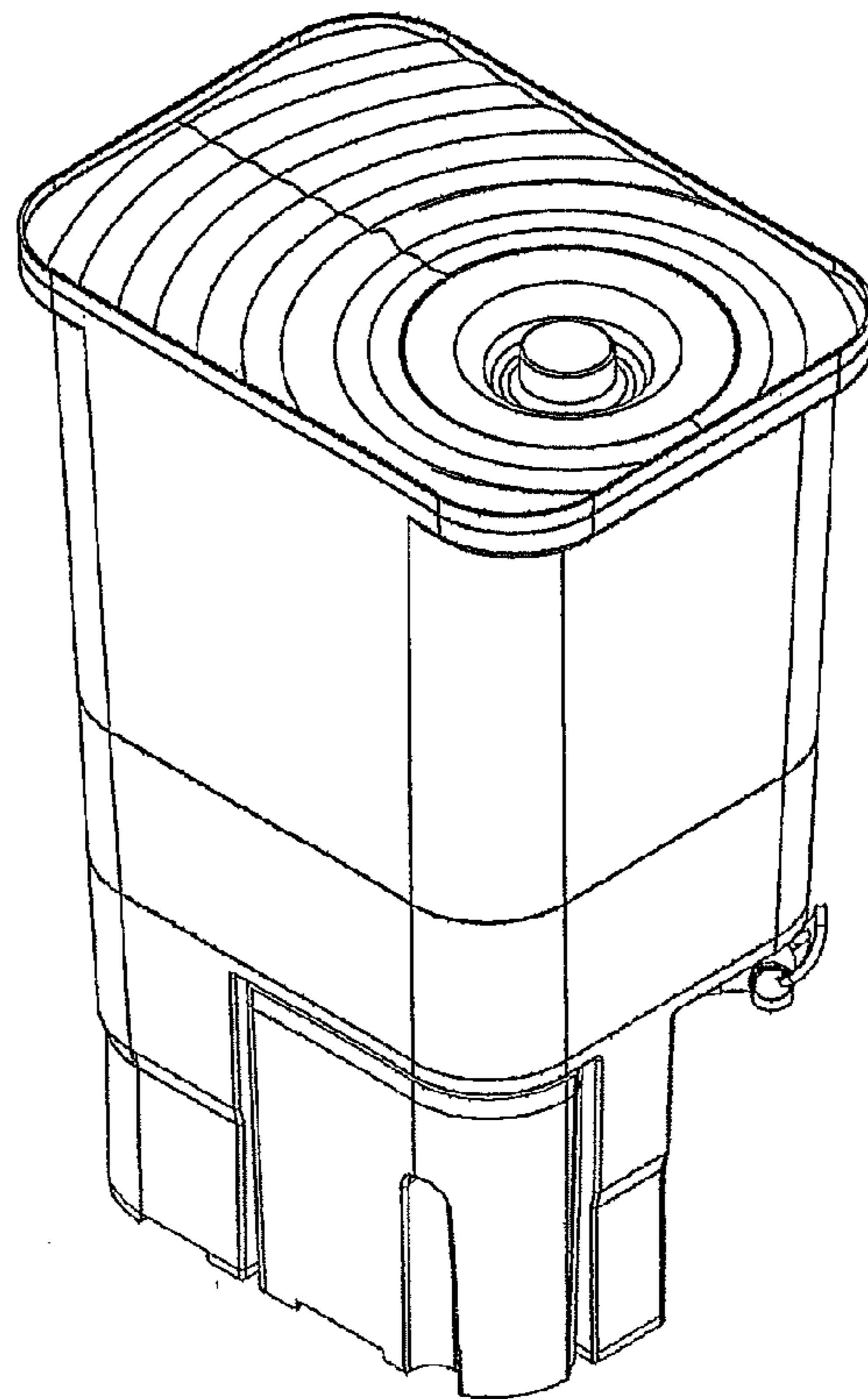


FIG. 2

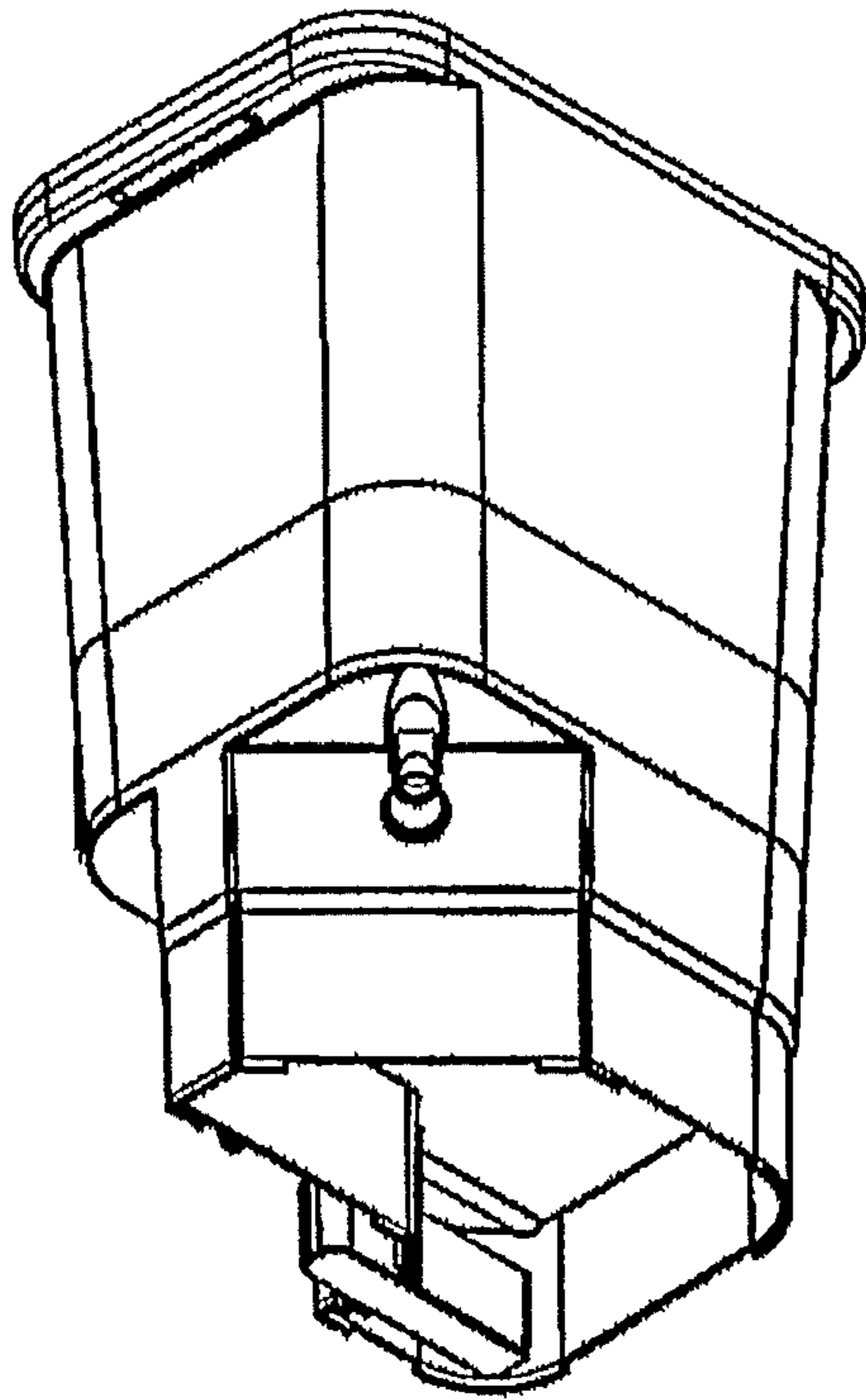


FIG. 3

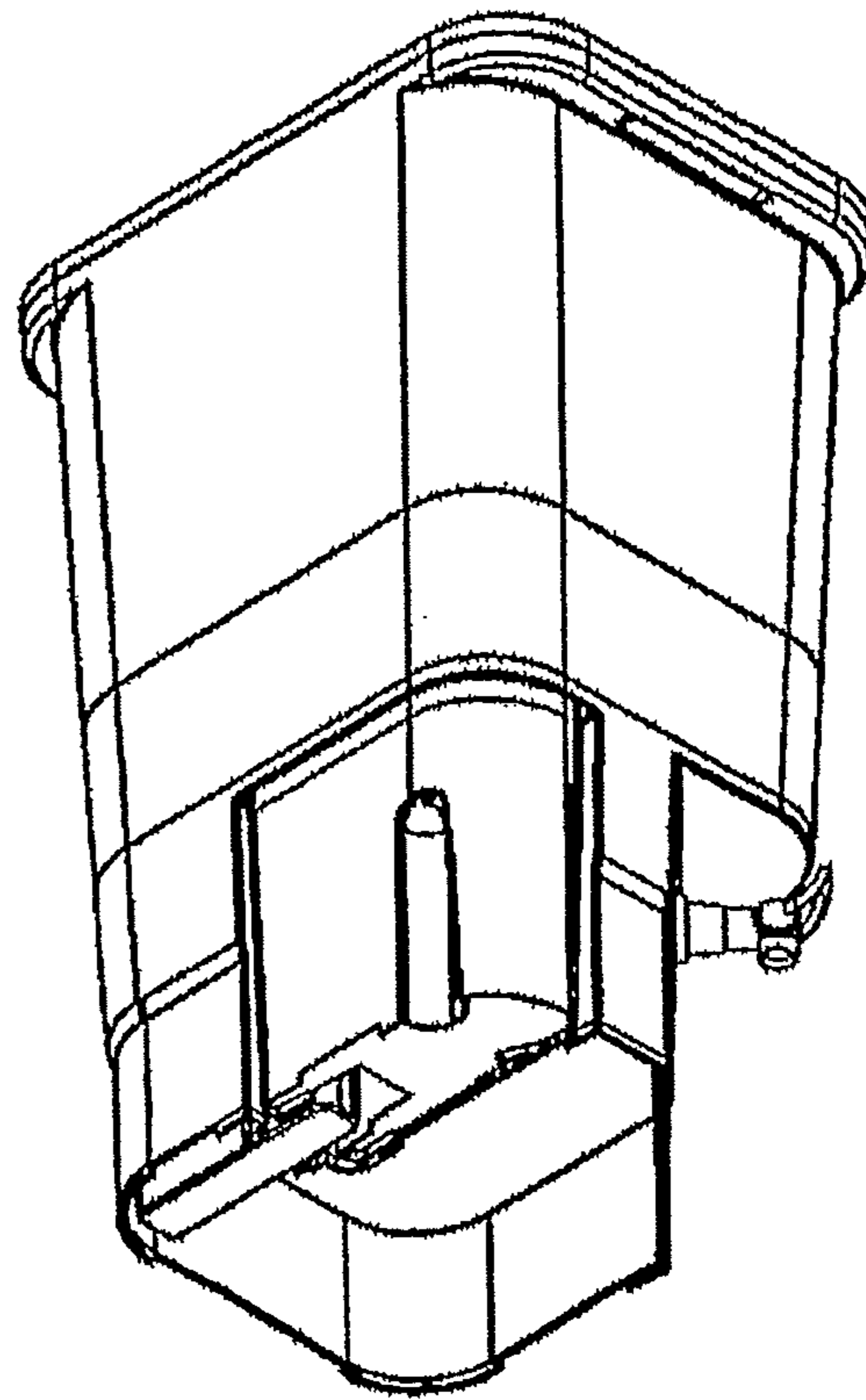


FIG. 4

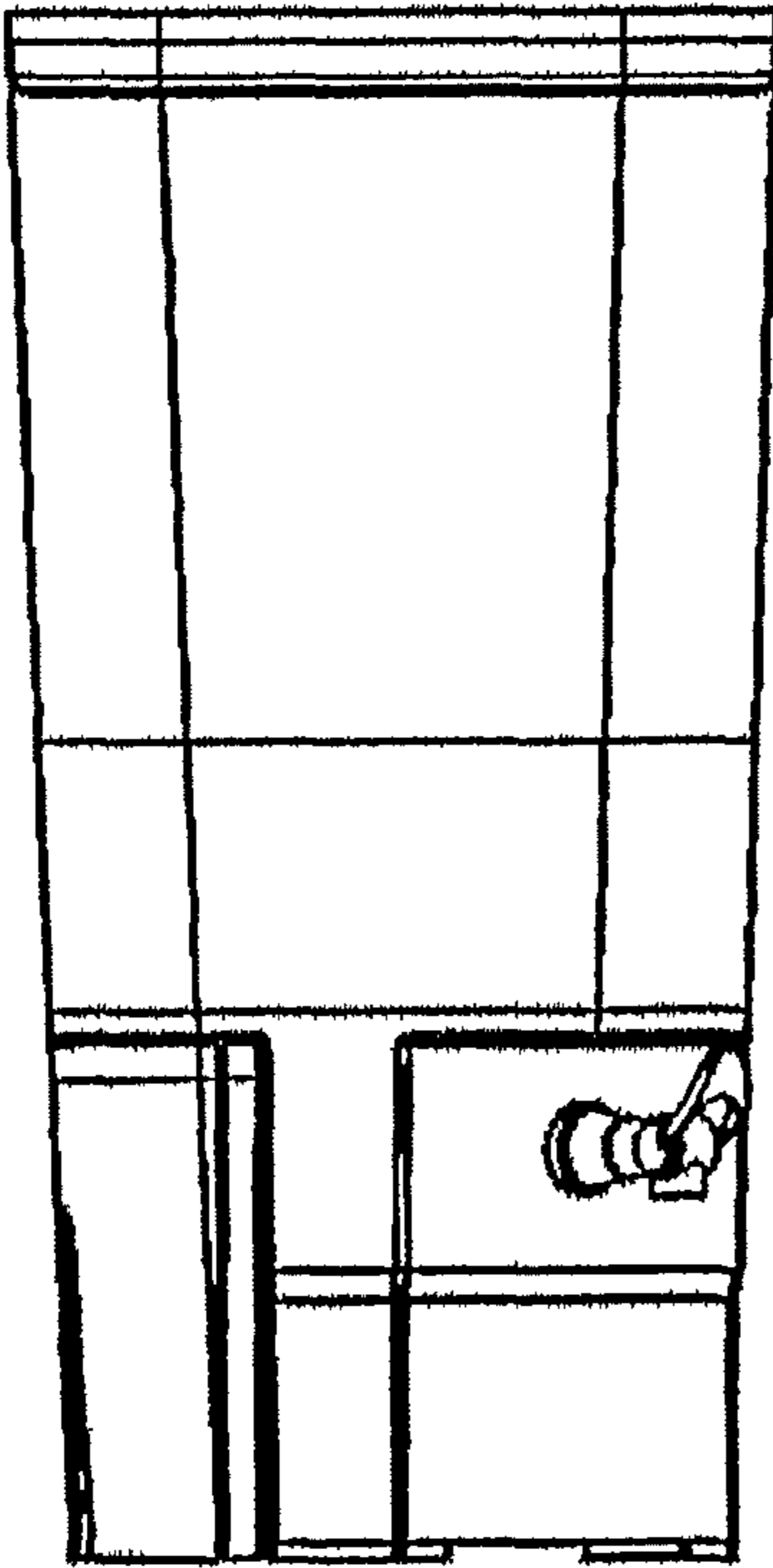


FIG. 5

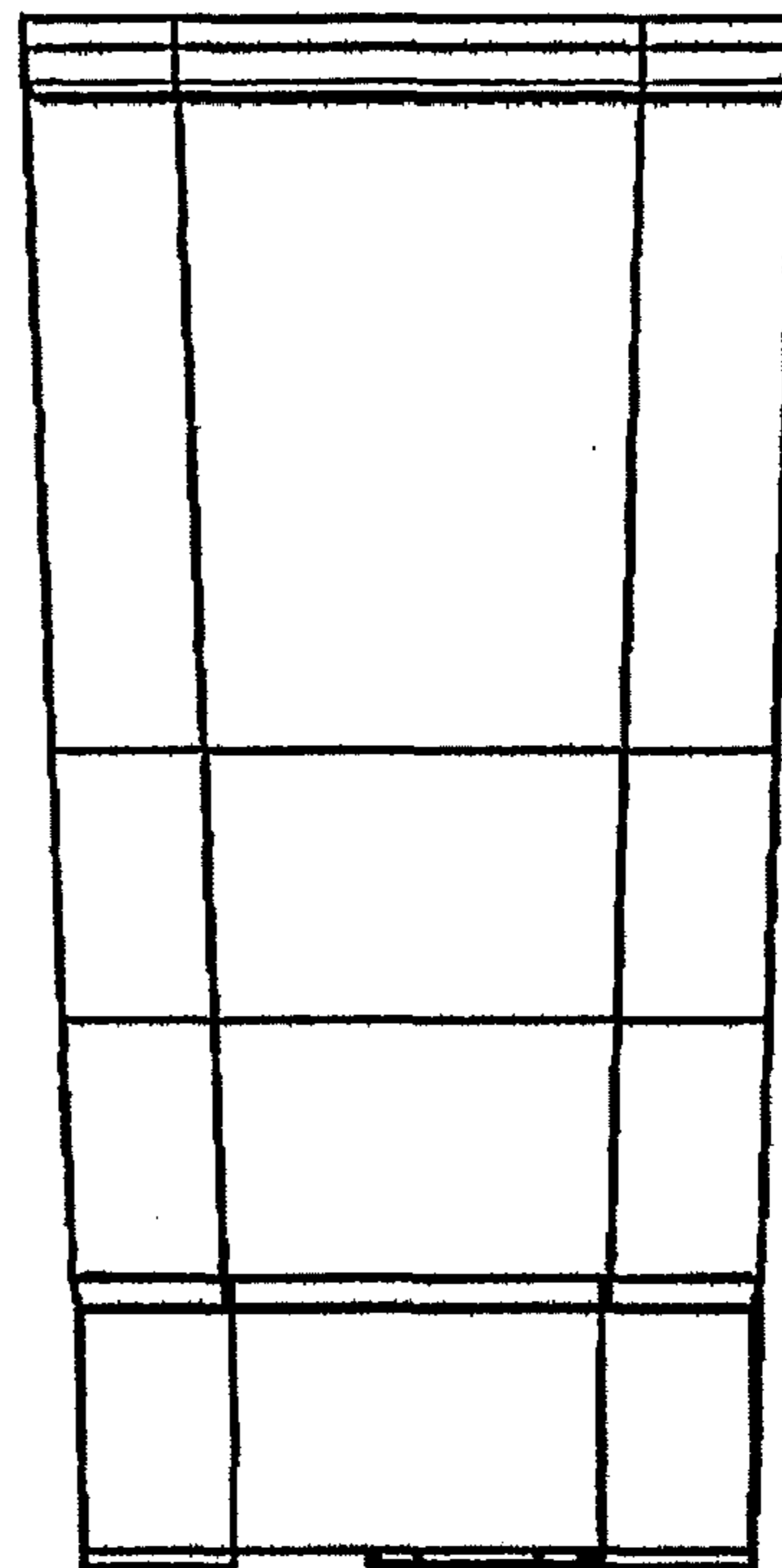


FIG. 6

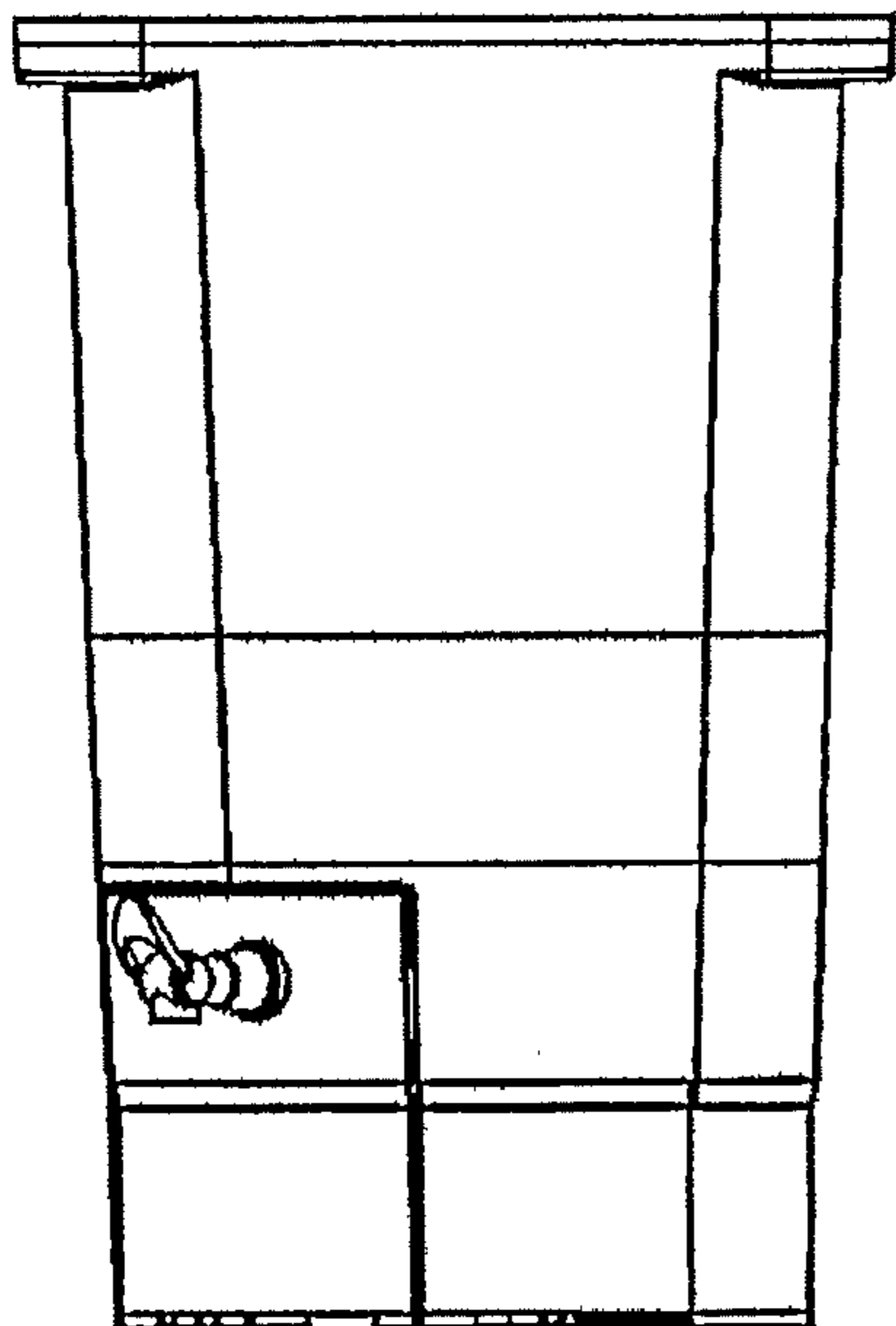


FIG. 7

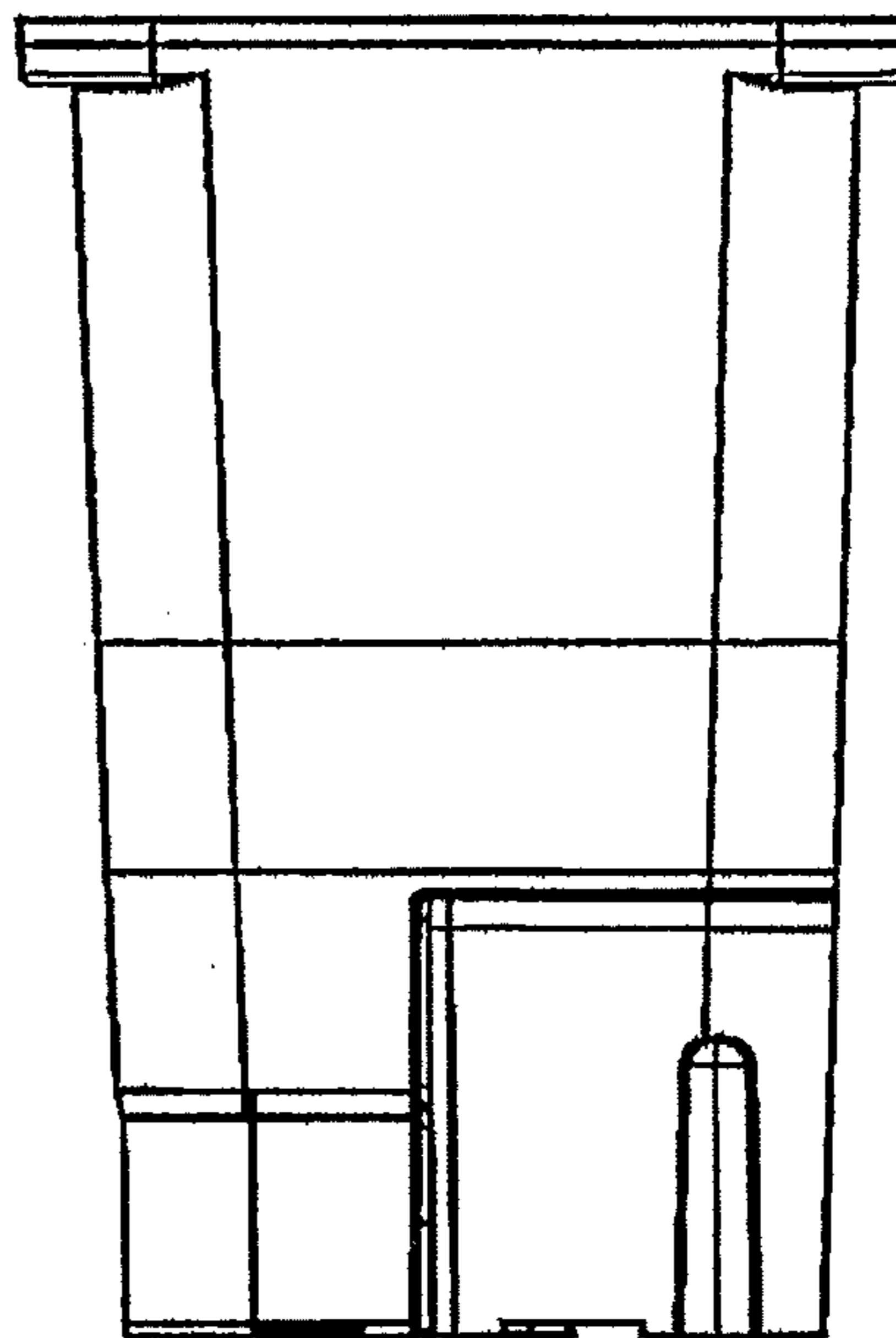


FIG. 8

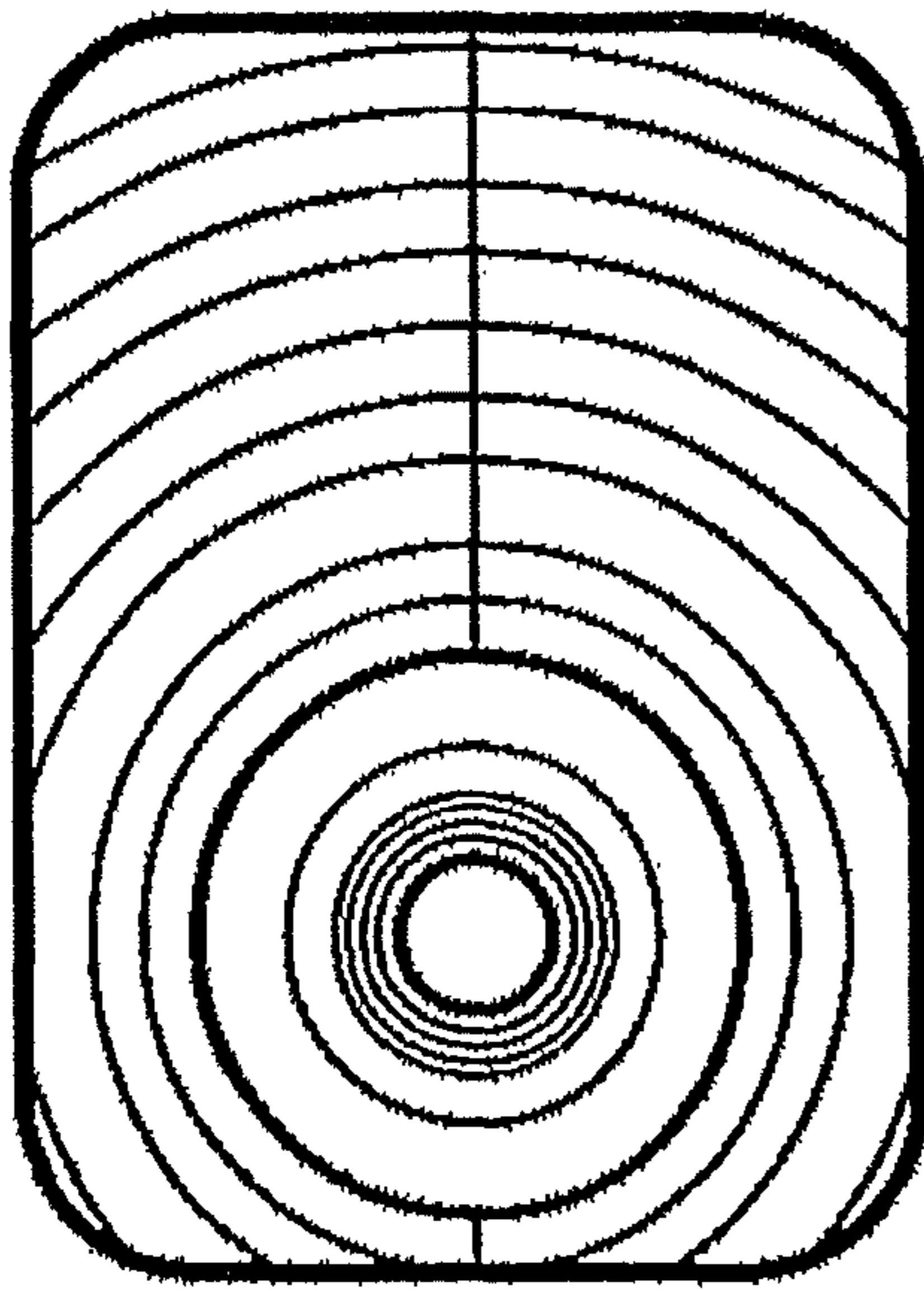


FIG. 9

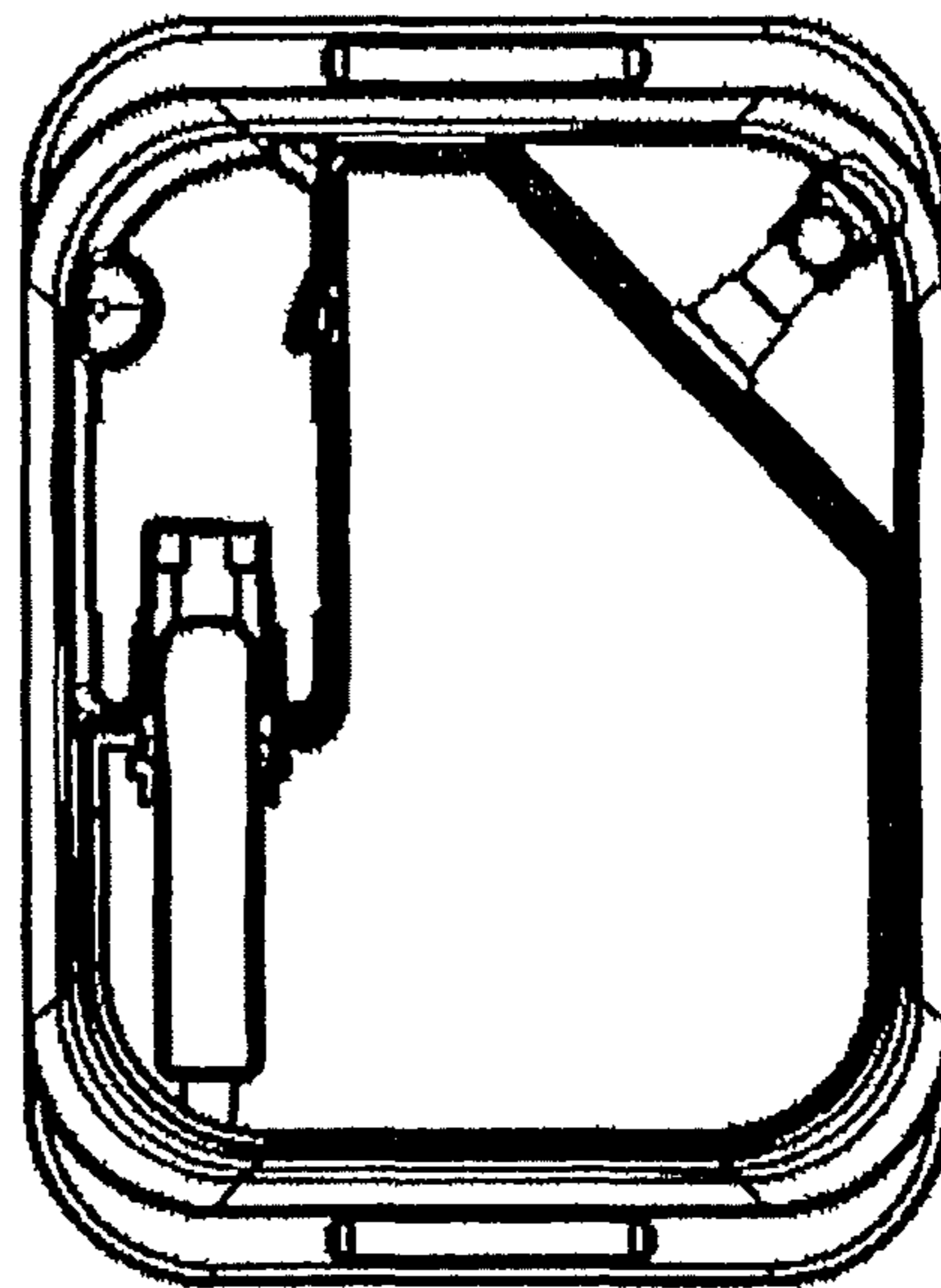


FIG. 10