



US00D733481S

(12) **United States Design Patent**  
**Rousselin**

(10) **Patent No.:** **US D733,481 S**  
(45) **Date of Patent:** **\*\* Jul. 7, 2015**

(54) **BEVERAGE DISPENSER**  
(71) Applicant: **Societe des Produits Nestle S.A., Vevey**  
(CH)  
(72) Inventor: **Frank Rousselin, Reaumont (FR)**  
(73) Assignee: **Societe des Produits Nestle S.A., Vevey**  
(CH)  
(\*\*) Term: **14 Years**

D574,175 S *	8/2008	Cahen	.....	D7/309
D577,244 S *	9/2008	Cahen	.....	D7/305
D596,442 S *	7/2009	Cahen	.....	D7/309
D610,389 S *	2/2010	Borin et al.	.....	D7/309
D646,108 S *	10/2011	Zoppellari	.....	D7/309
D647,356 S *	10/2011	De' Longhi	.....	D7/309
D667,252 S *	9/2012	Rousselin	.....	D7/309
D674,231 S *	1/2013	Wilder et al.	.....	D7/306
D697,356 S *	1/2014	Choi	.....	D7/305
D709,722 S *	7/2014	Luippold et al.	.....	D7/306
D718,565 S *	12/2014	Spagnolo et al.	.....	D7/309
D719,393 S *	12/2014	De Pra	.....	D7/309

(21) Appl. No.: **29/485,984**  
(22) Filed: **Mar. 25, 2014**

\* cited by examiner

*Primary Examiner* — Marianne Pandozzi  
(74) *Attorney, Agent, or Firm* — K&L Gates LLP

(30) **Foreign Application Priority Data**  
Oct. 17, 2013 (CH) ..... 140146  
(51) **LOC (10) Cl.** ..... **07-01**  
(52) **U.S. Cl.**  
USPC ..... **D7/306; D7/309; D7/311**  
(58) **Field of Classification Search**  
USPC ..... D7/306-311, 305, 300, 313; 99/279,  
99/284, 290, 280, 299, 307, 323.1;  
222/23, 129.1; 62/395; D20/1  
CPC ..... A47J 31/44; B67D 1/0041; B67D 3/00  
See application file for complete search history.

(57) **CLAIM**  
The ornamental design for a beverage dispenser, as shown and described.

(56) **References Cited**  
U.S. PATENT DOCUMENTS  
D408,679 S \* 4/1999 Potts et al. .... D7/309  
D417,118 S \* 11/1999 Pomeroy ..... D7/306  
D481,901 S \* 11/2003 Daniels et al. .... D7/309  
D540,608 S \* 4/2007 Cahen ..... D7/309  
7,219,596 B2 \* 5/2007 Kief, Jr. .... 99/289 R

**DESCRIPTION**

FIG. 1 is a front perspective view of a beverage dispenser showing my new design;  
FIG. 2 is another front perspective view thereof;  
FIG. 3 is a front view thereof;  
FIG. 4 is a rear view thereof;  
FIG. 5 is a left side view thereof;  
FIG. 6 is a right side view thereof;  
FIG. 7 is a top plan view thereof; and,  
FIG. 8 is a bottom plan view thereof.  
The ornamental design that is claimed is shown in solid lines in the drawings.  
Any broken lines in the drawings are for illustrative purposes only and form no part of the claimed design.

**1 Claim, 8 Drawing Sheets**

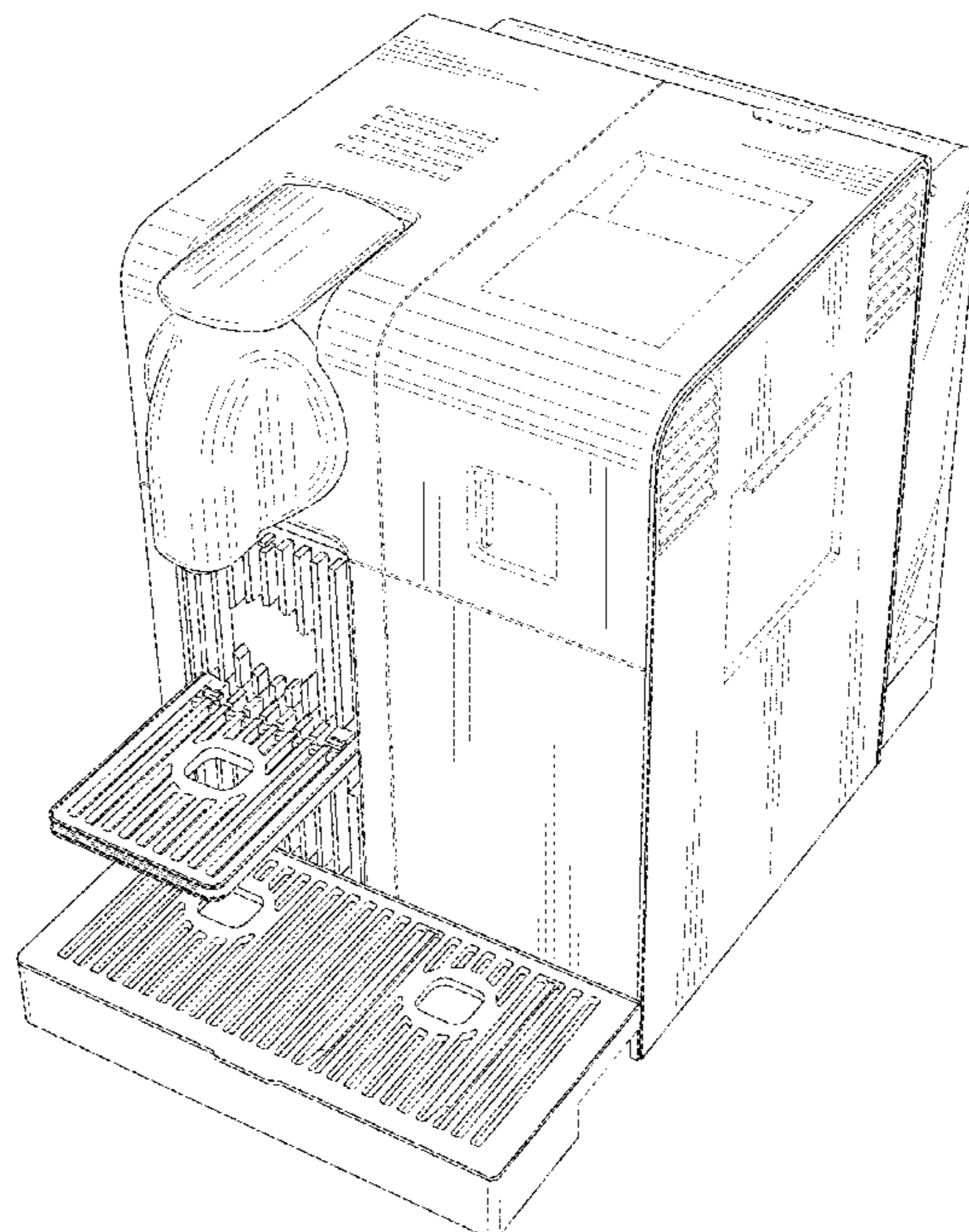


FIG. 1

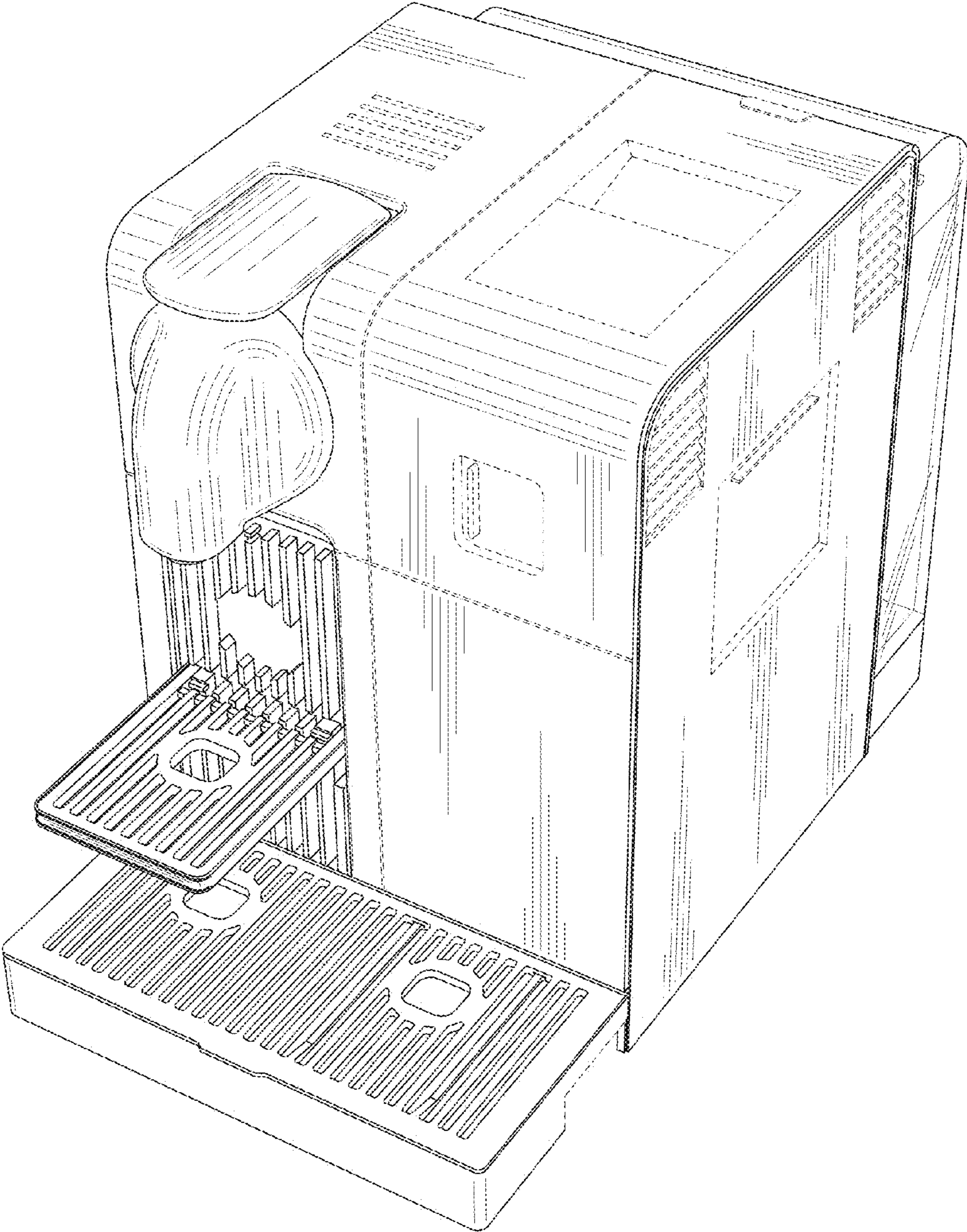


FIG. 2

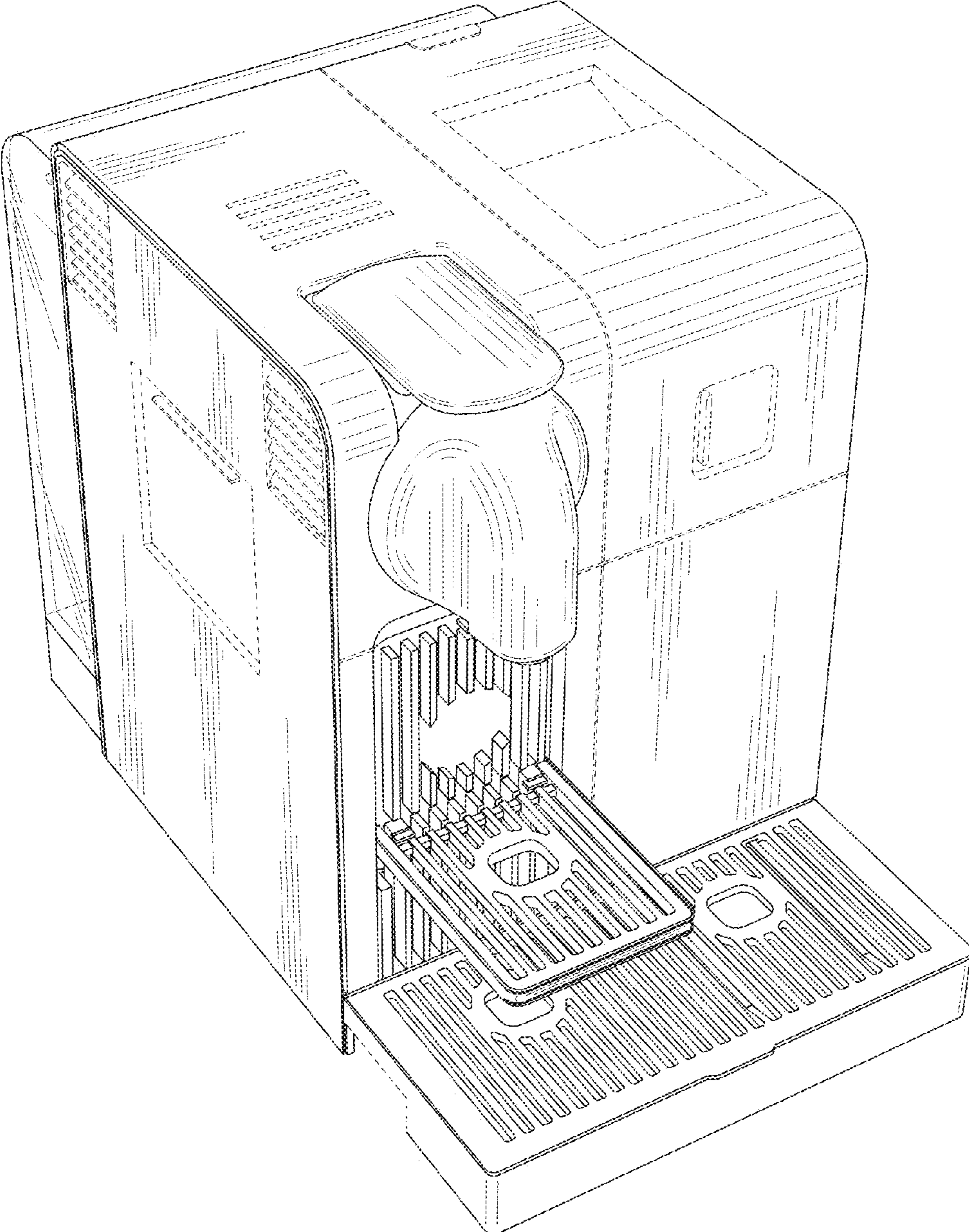


FIG. 3

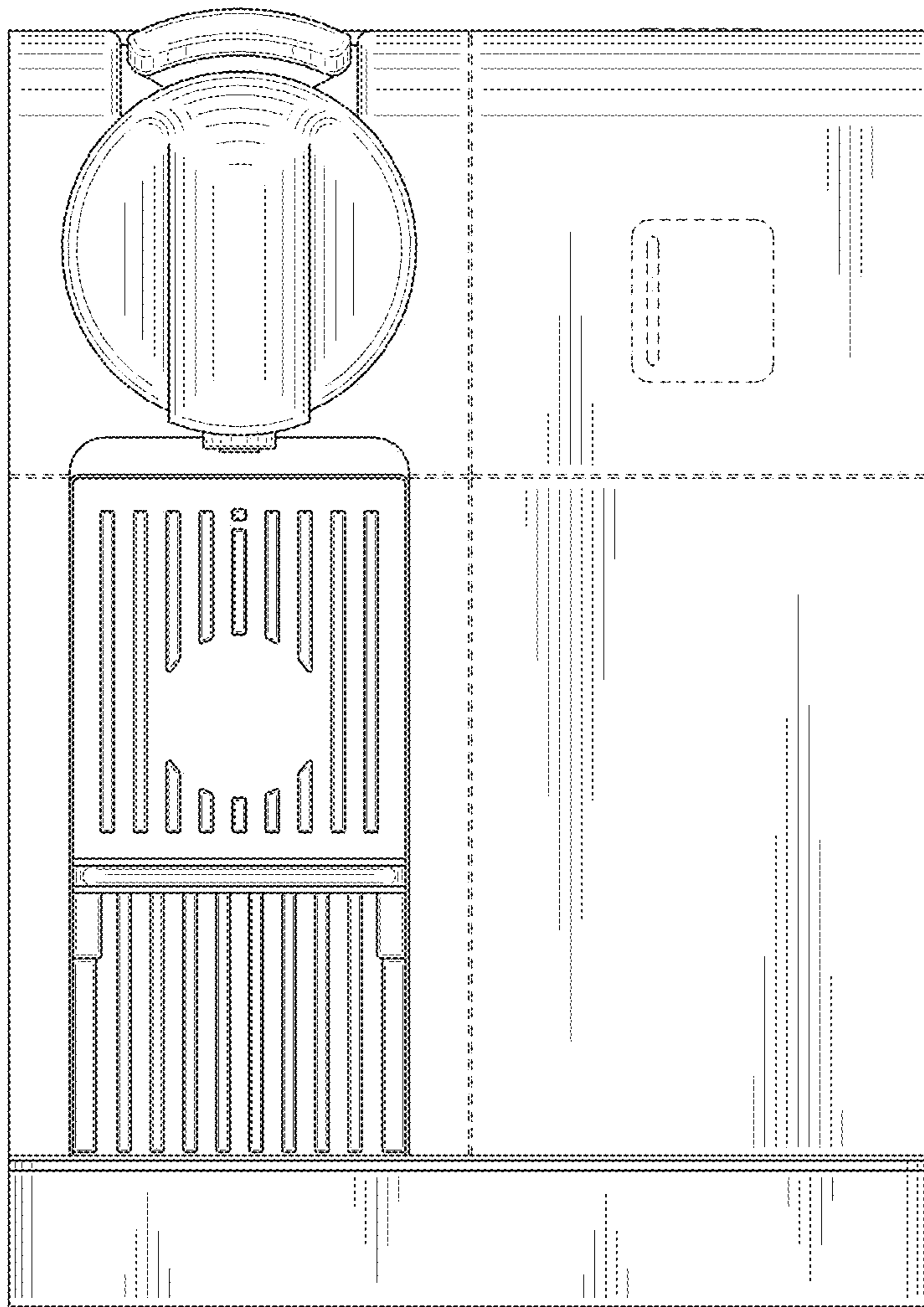


FIG. 4

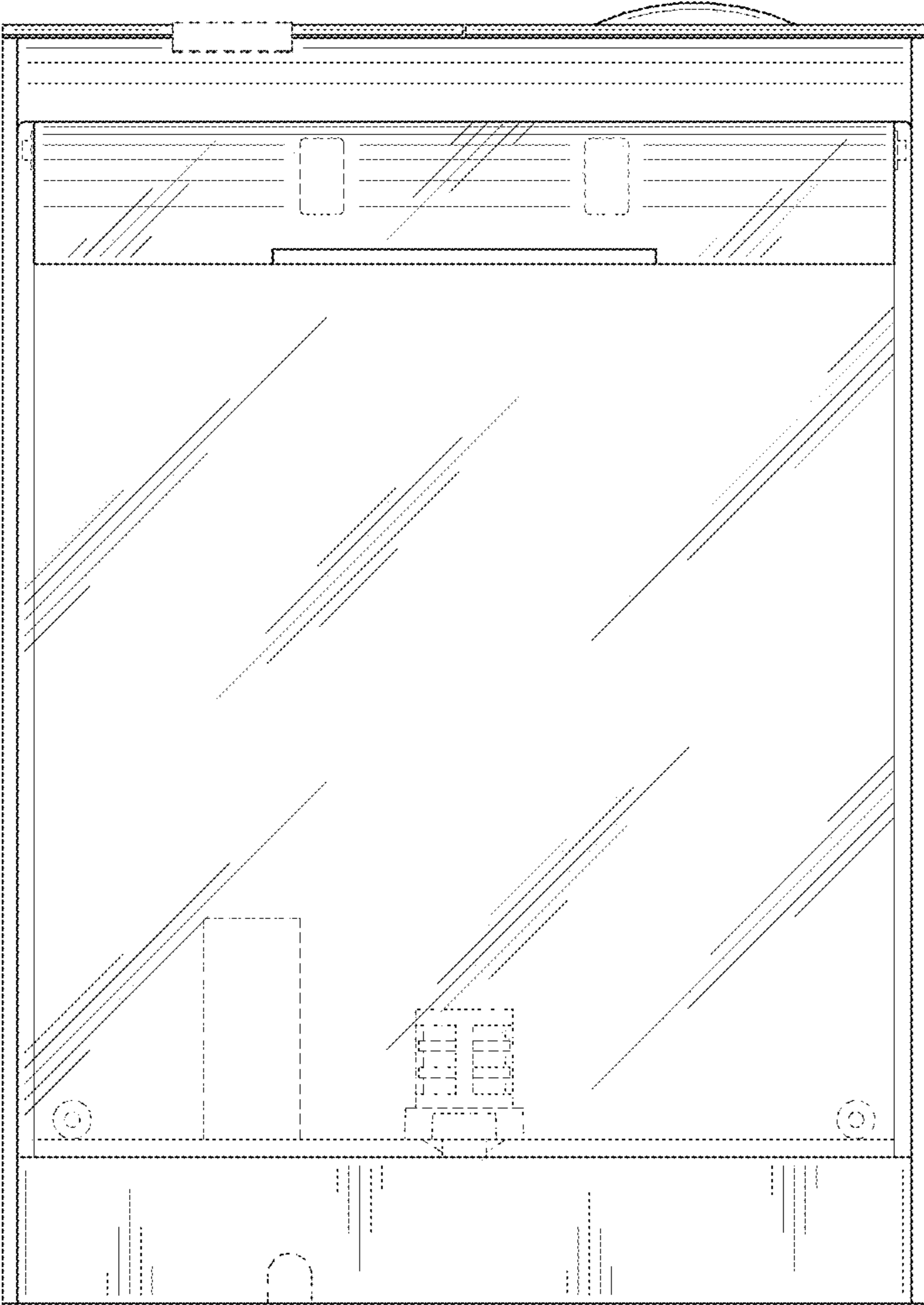


FIG. 5

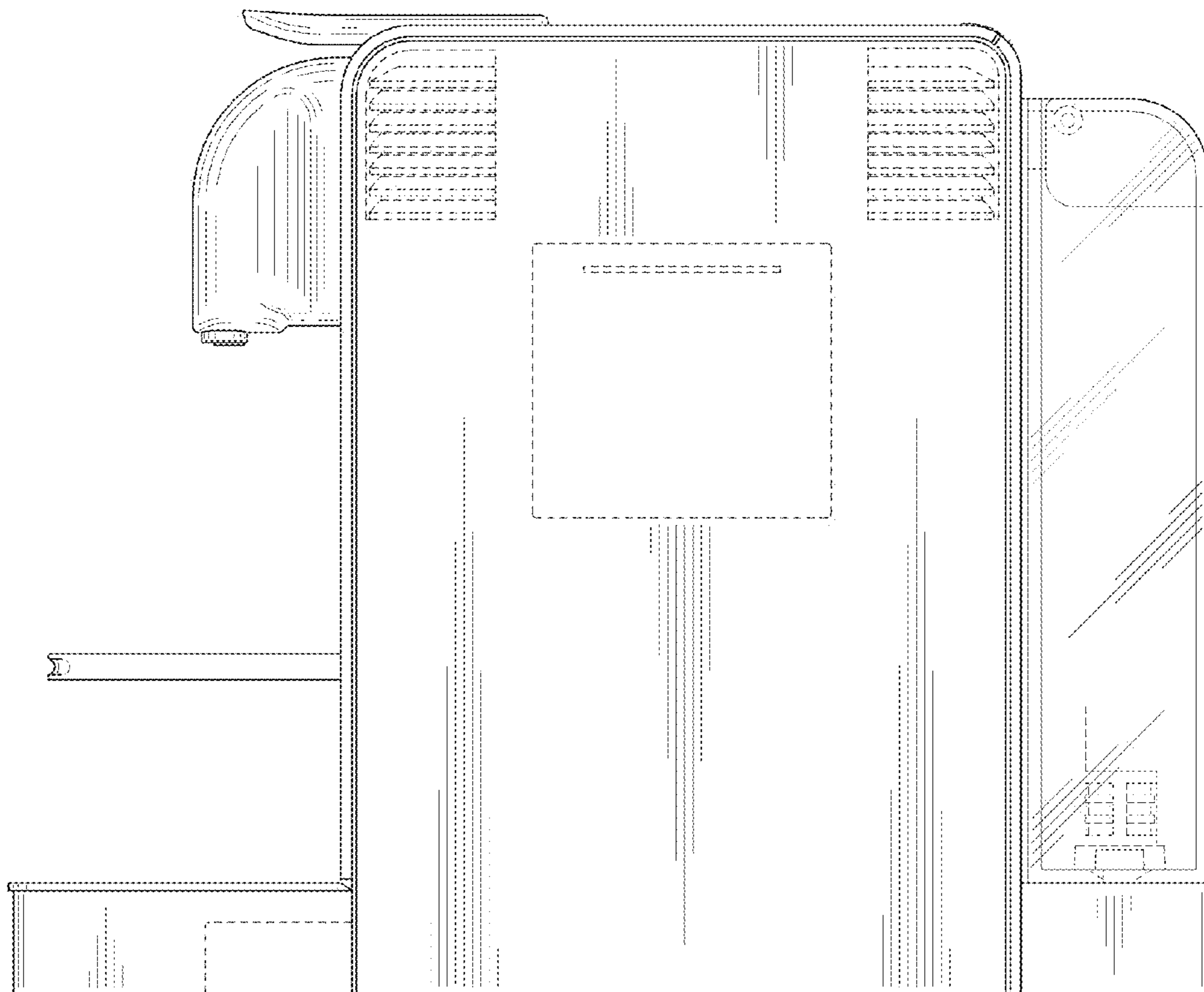


FIG. 6

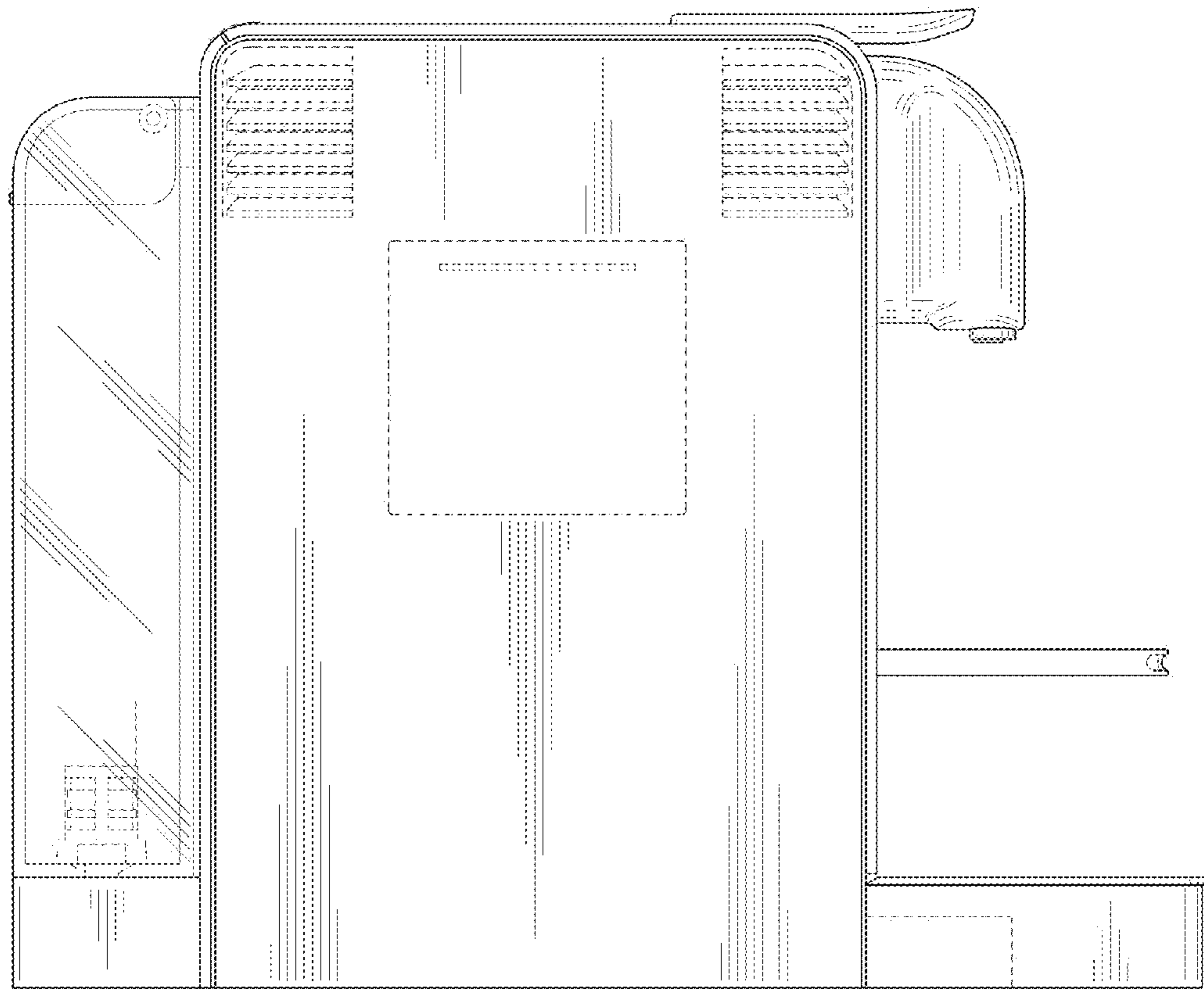


FIG. 7

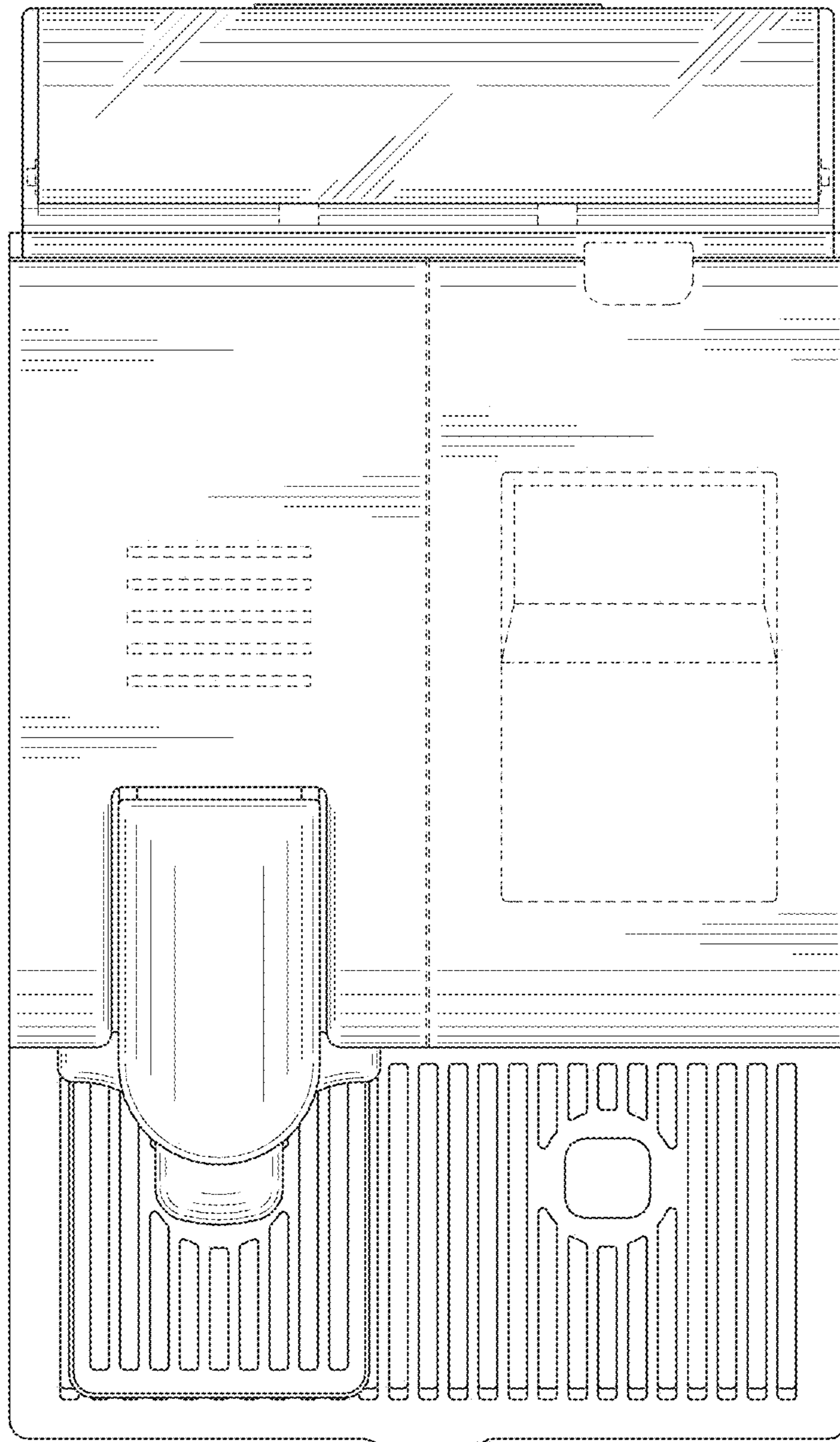




FIG. 8

