



US00D733480S

(12) **United States Design Patent**
Shao

(10) **Patent No.:** **US D733,480 S**
(45) **Date of Patent:** **** Jul. 7, 2015**

- (54) **INFUSER**
- (71) Applicant: **Whirlpool Corporation**, Benton Harbor, MI (US)
- (72) Inventor: **Ben C. Shao**, Clarendon Hills, IL (US)
- (73) Assignee: **Whirlpool Corporation**, Benton Harbor, MI (US)
- (**) Term: **14 Years**
- (21) Appl. No.: **29/484,859**
- (22) Filed: **Mar. 13, 2014**
- (51) **LOC (10) Cl.** **07-01**
- (52) **U.S. Cl.**
USPC **D7/306; D7/309; D7/311**
- (58) **Field of Classification Search**
USPC D7/306-311, 301, 300, 326, 386,
D7/397-399; 99/281, 305, 307; 141/247;
222/129.1, 129.3, 145.6; D24/197
CPC A47J 31/00
See application file for complete search history.

D501,750 S *	2/2005	DeMore	D7/309
D530,560 S *	10/2006	Lin	D7/309
7,703,382 B2 *	4/2010	Oranski et al.	99/295
D666,049 S *	8/2012	Struzka	D7/306
D687,255 S *	8/2013	Grasselli et al.	D7/309
8,627,760 B2 *	1/2014	Kollep et al.	99/279
D699,065 S *	2/2014	Bucher et al.	D7/306
D714,088 S *	9/2014	Cahen	D7/309

* cited by examiner

Primary Examiner — Marianne Pandozzi

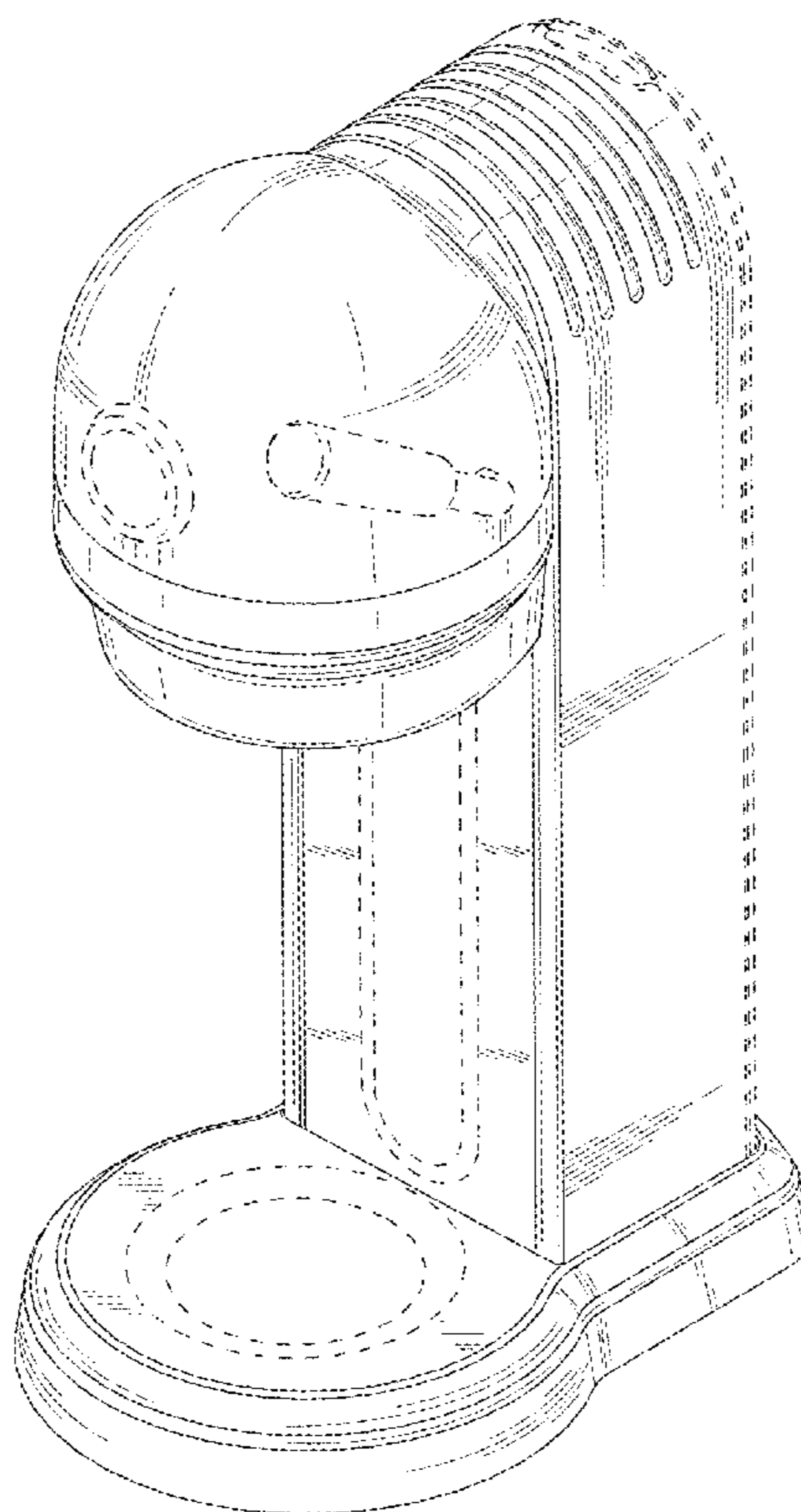
- (56) **References Cited**
U.S. PATENT DOCUMENTS
D353,296 S * 12/1994 Assmann D7/309
D496,214 S * 9/2004 Ledingham et al. D7/309

(57) **CLAIM**
I claim the ornamental design for an infuser, as shown and described.

DESCRIPTION

FIG. 1 is a front perspective view of one embodiment of an infuser of the present disclosure;
FIG. 2 is a rear perspective view of the infuser of FIG. 1;
FIG. 3 is a front elevational view of the infuser of FIG. 1;
FIG. 4 is a rear elevational view of the infuser of FIG. 1;
FIG. 5 is a first side elevational view of the infuser of FIG. 1;
FIG. 6 is a second side elevational view of the infuser of FIG. 1;
FIG. 7 is a top plan view of the infuser of FIG. 1; and,
FIG. 8 is a bottom plan view of the infuser of FIG. 1.

1 Claim, 6 Drawing Sheets



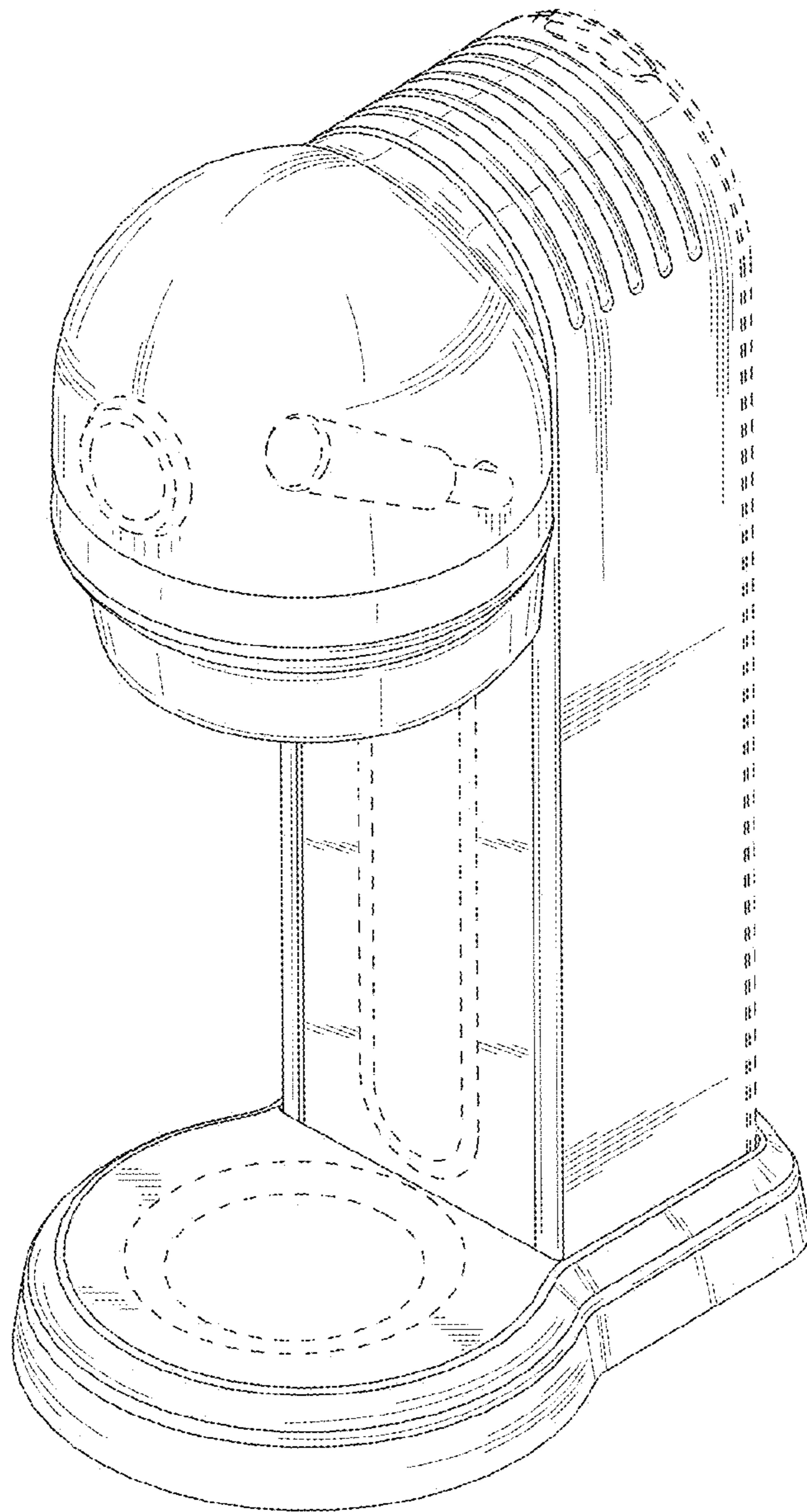


FIG. 1

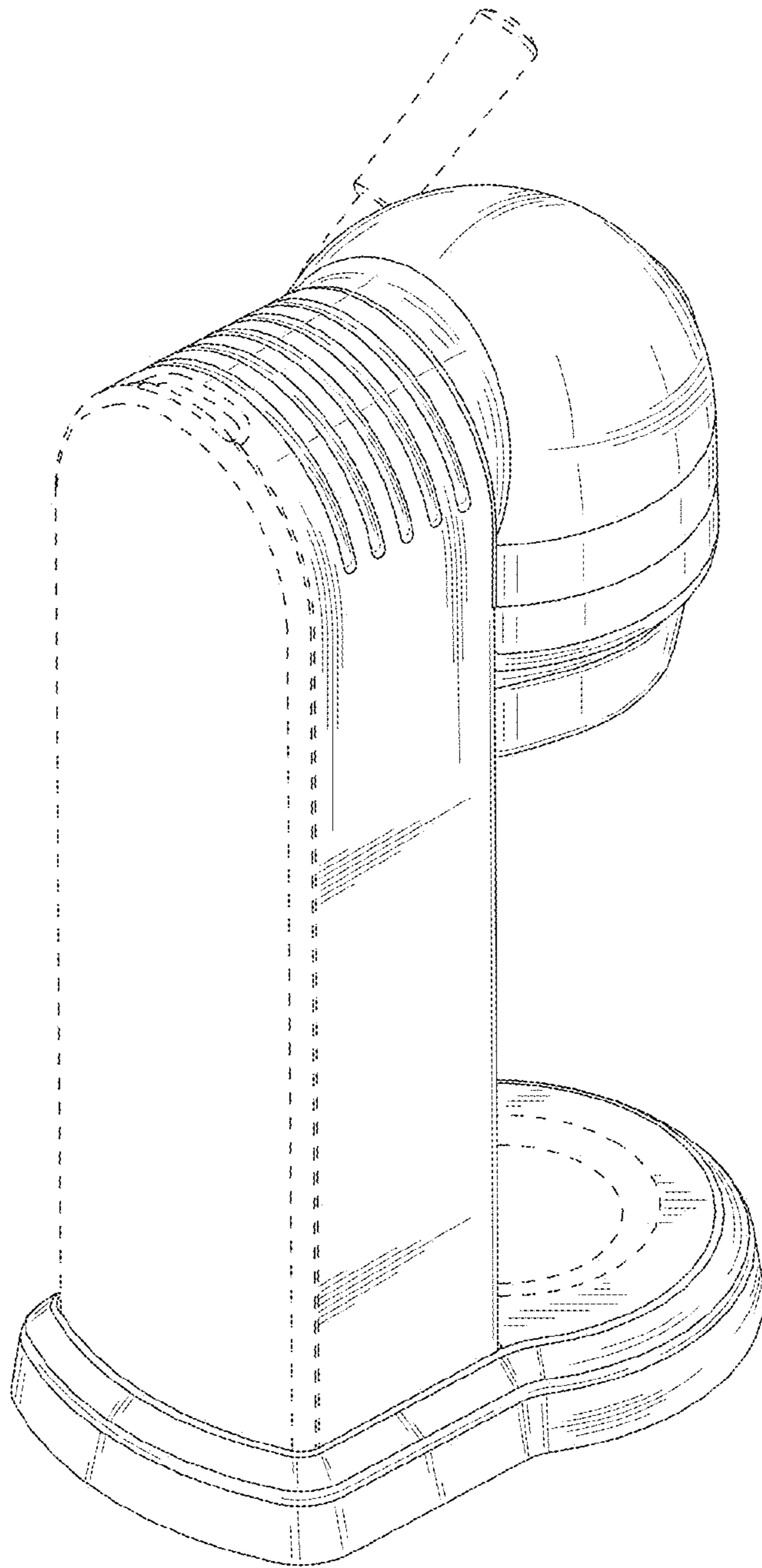


FIG. 2

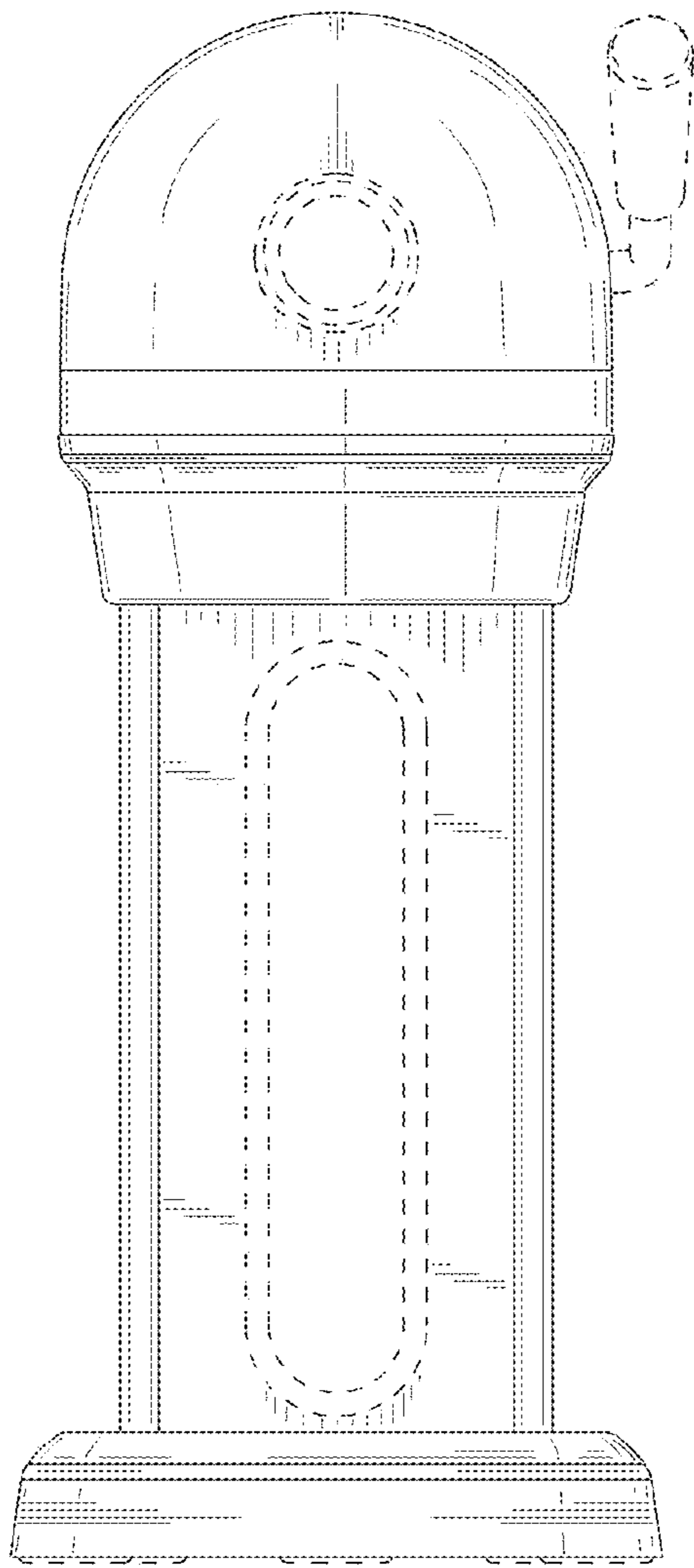


FIG. 3

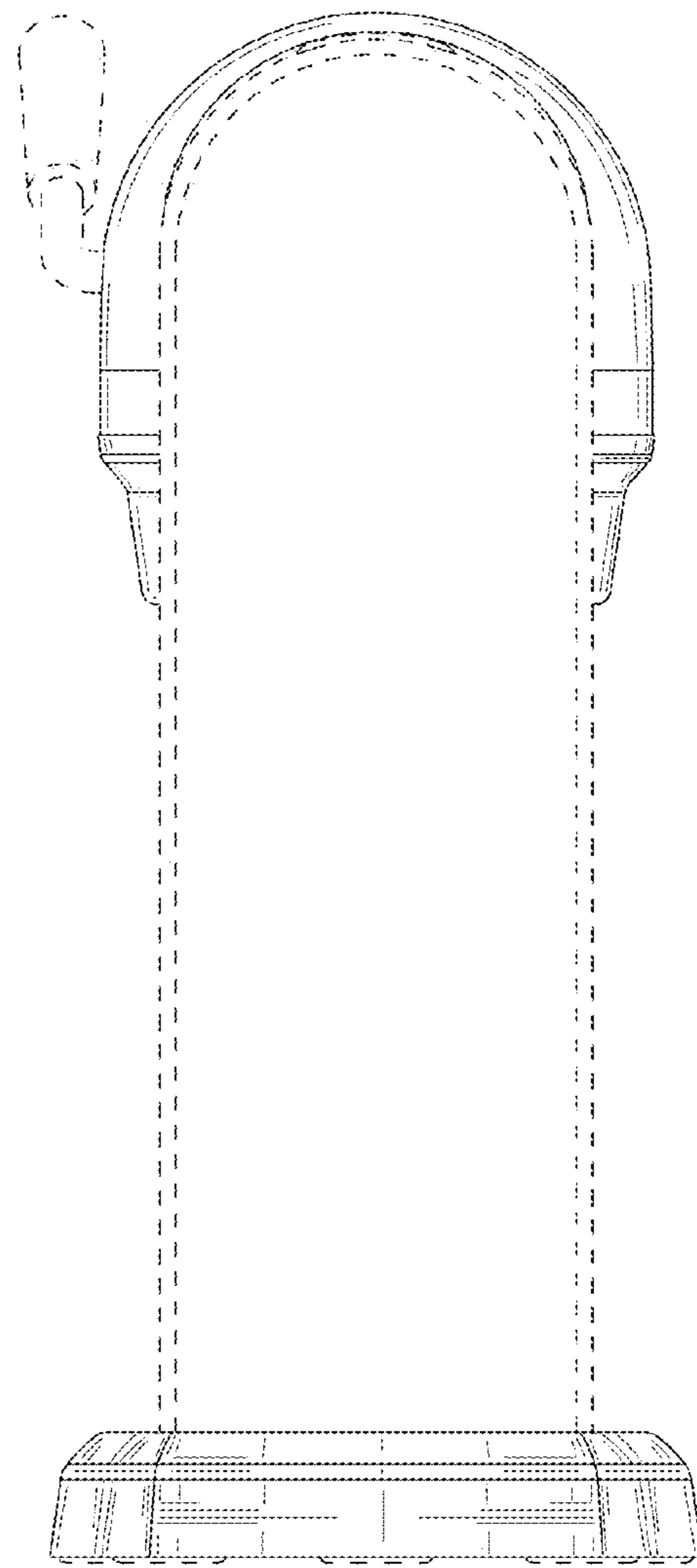


FIG. 4

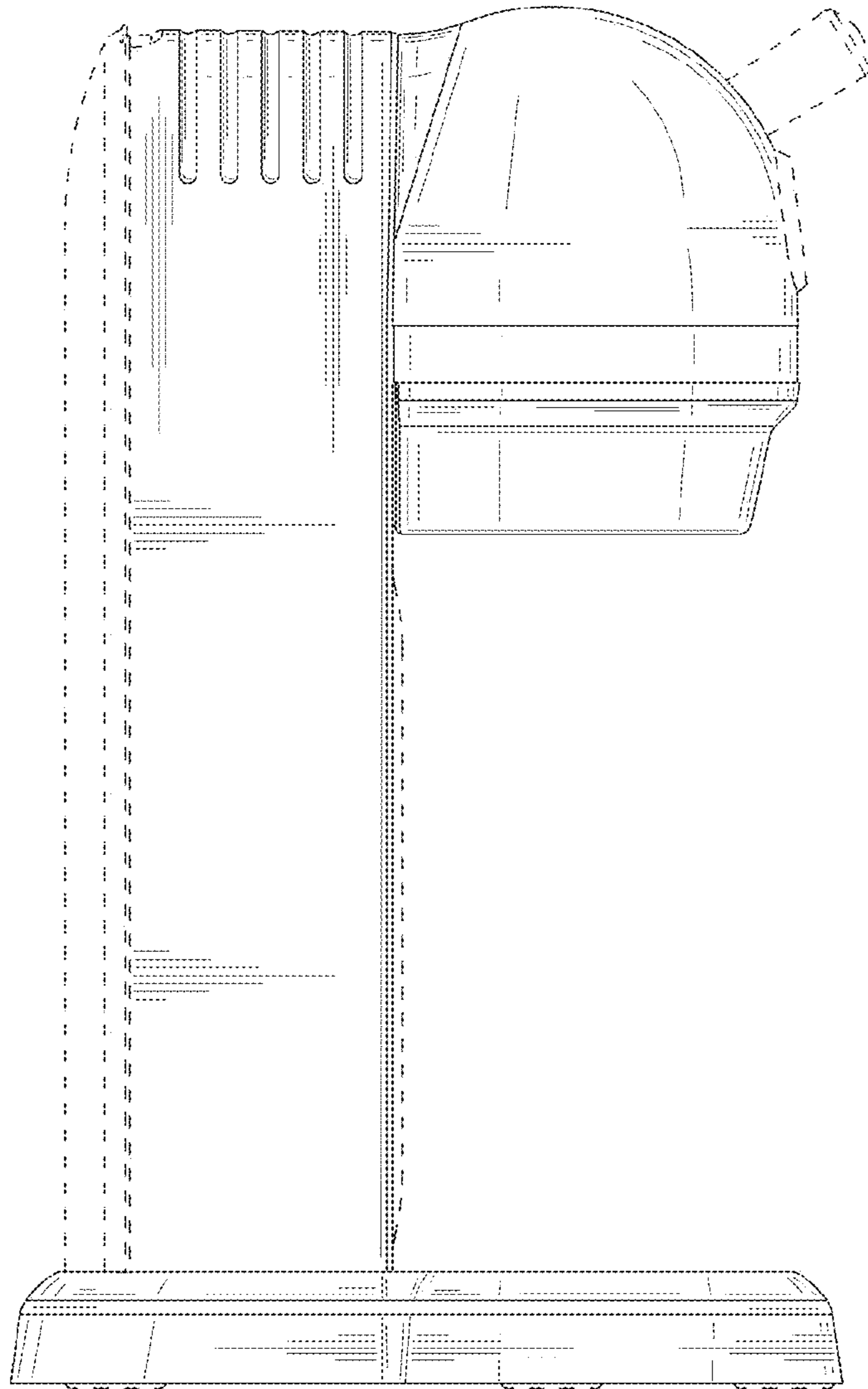


FIG. 5

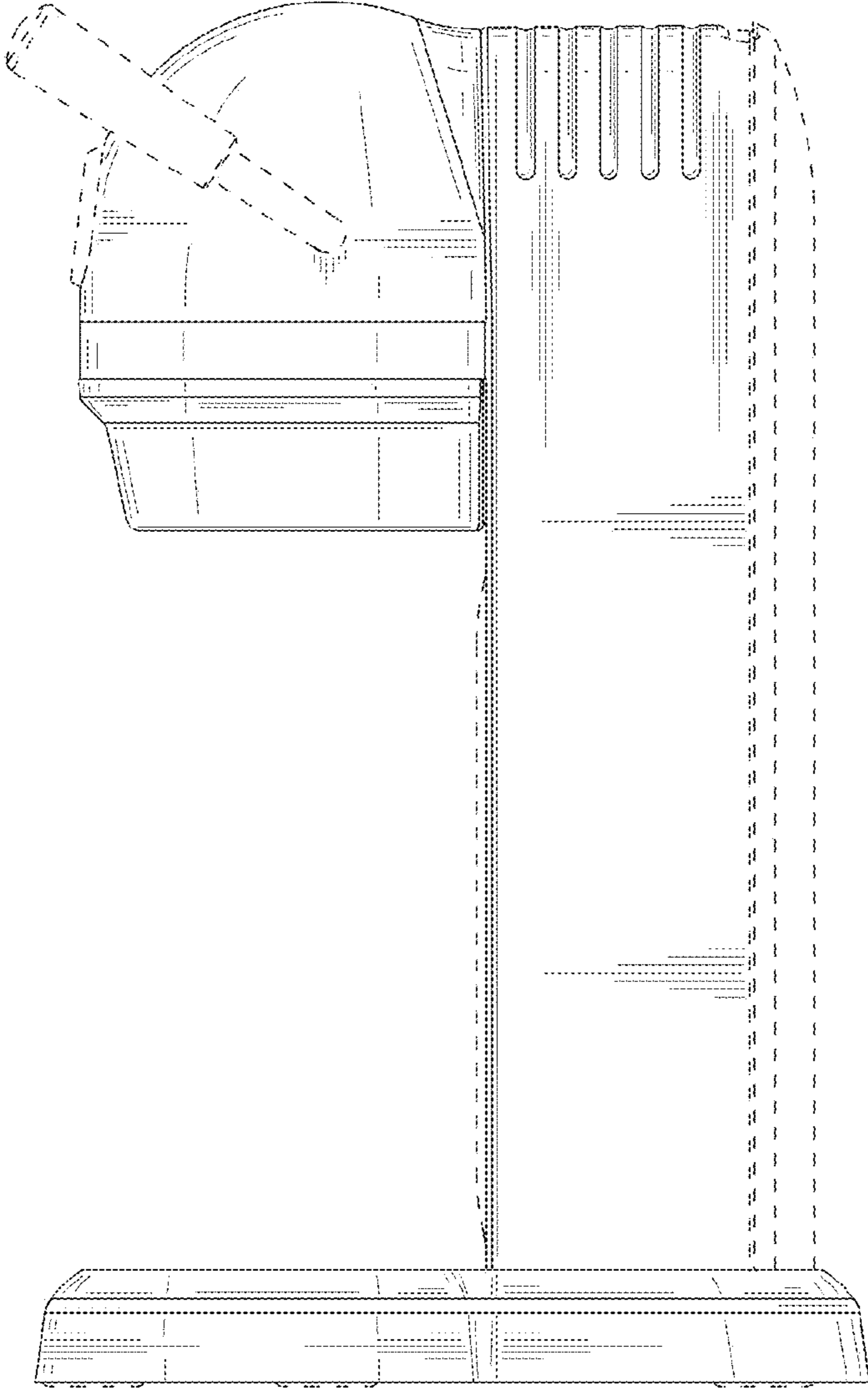


FIG. 6

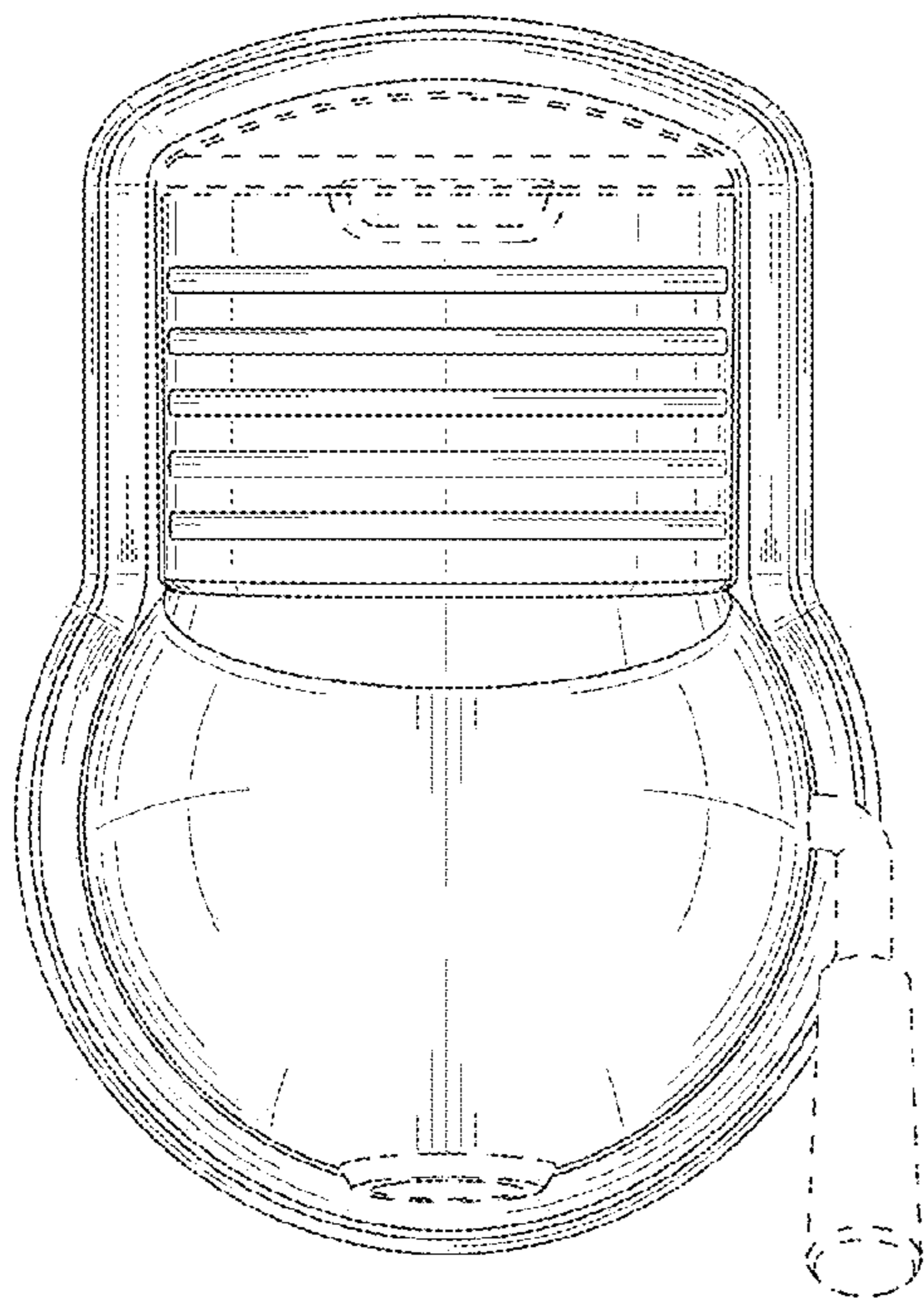


FIG. 7

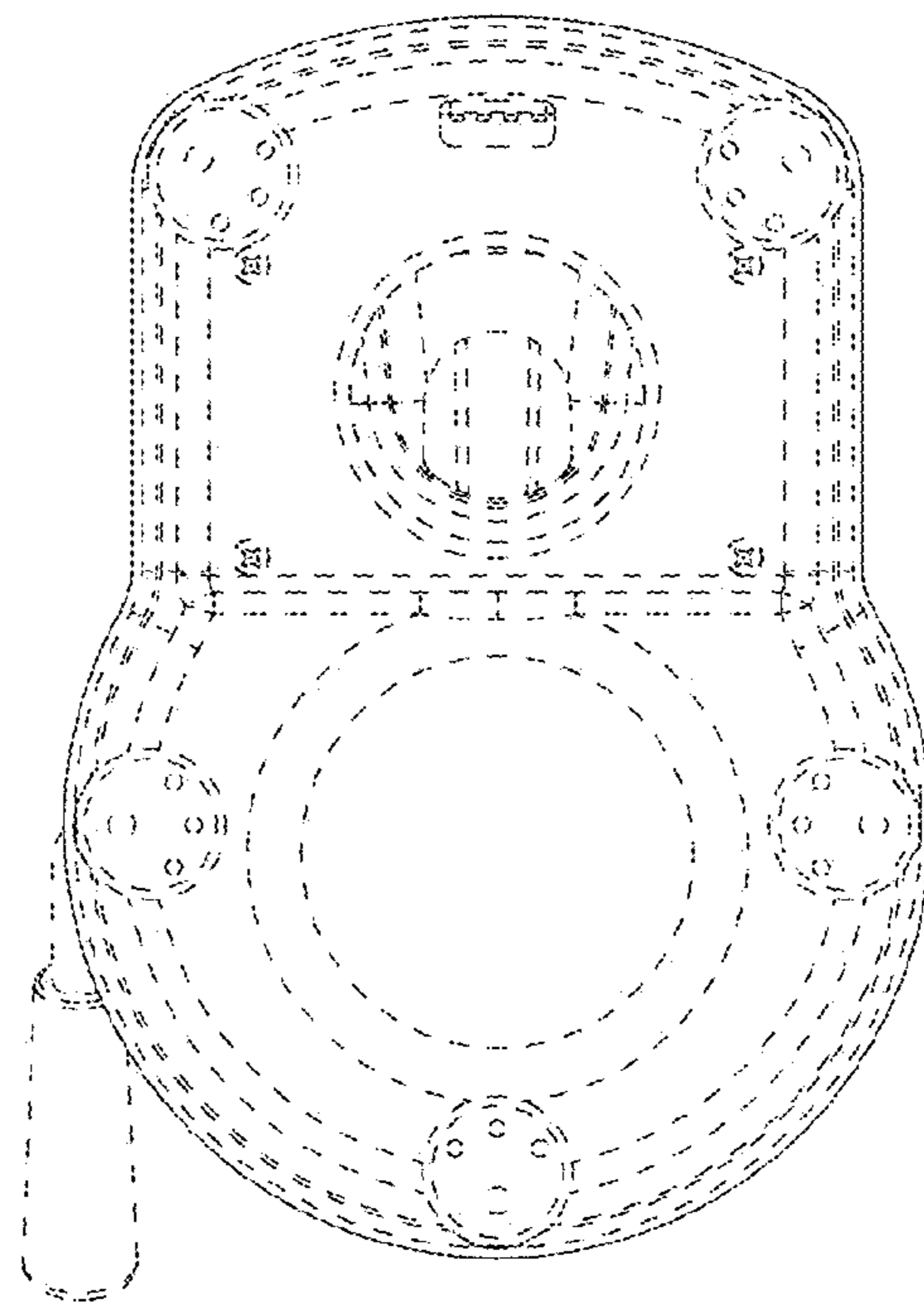


FIG. 8