



US00D733477S

(12) **United States Design Patent**
Sutton

(10) **Patent No.:** **US D733,477 S**

(45) **Date of Patent:** **** Jul. 7, 2015**

(54) **FOUR LEGGED FOLDING LEG MECHANISM**

(71) Applicant: **Eric Sutton**, Piedmont, SD (US)

(72) Inventor: **Eric Sutton**, Piedmont, SD (US)

(*) Notice: This patent is subject to a terminal disclaimer.

(**) Term: **14 Years**

(21) Appl. No.: **29/467,310**

(22) Filed: **Sep. 18, 2013**

(51) **LOC (10) Cl.** **06-01**

(52) **U.S. Cl.**
USPC **D6/716; D6/353**

(58) **Field of Classification Search**
USPC D6/335, 340, 344, 347, 349-355, 358,
D6/360, 363-373, 381, 685, 687, 688, 690,
D6/691-691.6, 692, 692.4, 694, 703.15,
D6/708.21, 708.22, 709.22, 716-716.7,
D6/717
CPC A47C 1/14; A47C 3/16-3/20; A47C 4/00;
A47C 4/28; A47C 5/02; A47C 7/02; A47C
9/00; A47C 9/02; A47C 9/002; A47C 9/007;
A47C 9/025; A47C 11/00; A47C 12/00;
A47C 13/00; A47C 16/02
See application file for complete search history.

(56) **References Cited**

U.S. PATENT DOCUMENTS

163,623	A *	5/1875	Allen	297/461
402,709	A *	5/1889	Abbott	297/461
476,805	A *	6/1892	Mason	297/461
517,929	A *	4/1894	March	297/461
549,457	A *	11/1895	Morgan	297/461
1,000,618	A	8/1911	Meyer	
1,157,795	A *	10/1915	Mix	297/461

(Continued)

Primary Examiner — Susan Bennett Hattan

Assistant Examiner — Vy Koenig

(74) *Attorney, Agent, or Firm* — Gordon Rees Scully Mansukhani LLP

(57) **CLAIM**

The ornamental design for a four legged folding leg mechanism, as shown and described.

DESCRIPTION

FIG. 1 is a perspective view of a four legged stool in a folded up position showing the leg mechanism.

FIG. 2 is a front elevation view of the four legged stool in a folded up position showing the leg mechanism.

FIG. 3 is a rear elevation view of the four legged stool in a folded up position showing the leg mechanism.

FIG. 4 is a left side elevation view of the four legged stool in a folded up position showing the leg mechanism.

FIG. 5 is a right side elevation view of the four legged stool in a folded up position showing the leg mechanism.

FIG. 6 is a top plan view of the four legged stool in a folded up position.

FIG. 7 is a bottom plan view of the four legged stool in a folded up position.

FIG. 8 is a perspective view of the four legged stool in a fully open position showing the leg mechanism.

FIG. 9 is a front elevation view of the four legged stool in a fully open position showing the leg mechanism.

FIG. 10 is a rear elevation view of the four legged stool in a fully open position showing the leg mechanism.

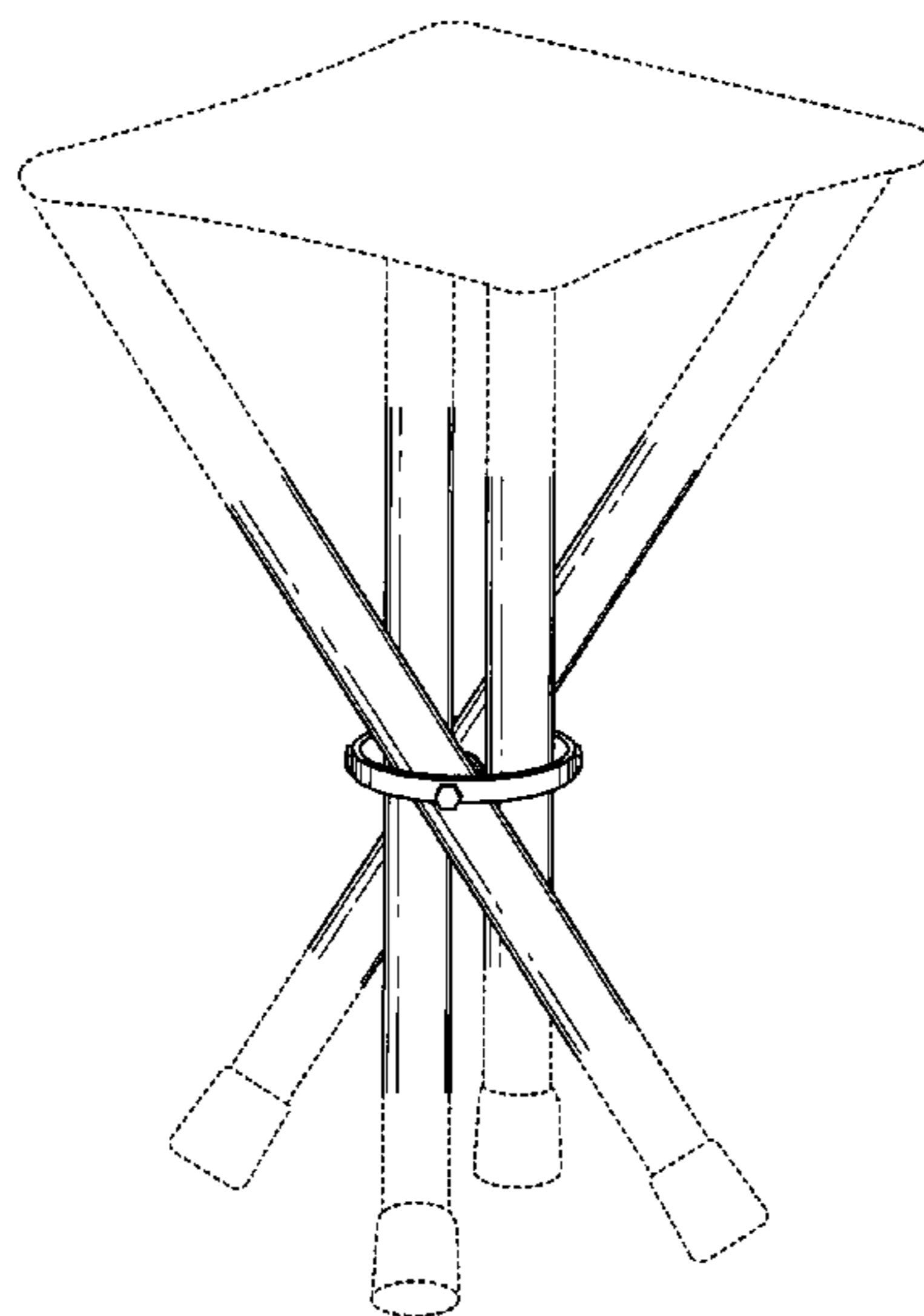
FIG. 11 is a left side elevation view of the four legged stool in a fully open position showing the leg mechanism.

FIG. 12 is a right side elevation view of the four legged stool in a folded up position showing the leg mechanism; and,

FIG. 13 is a bottom plan view of the four legged stool in a fully open position.

The broken lines shown in the drawings depict environmental features and subject matter that form no part of the claimed design.

1 Claim, 10 Drawing Sheets



(56)

References Cited

U.S. PATENT DOCUMENTS

1,188,500	A *	6/1916	Simmons	297/461	5,851,052	A	12/1998	Gustafsson	
1,295,265	A *	2/1919	Bradley	211/29	5,876,091	A	3/1999	Chernomashentsev	
2,723,888	A	11/1955	Bally			5,921,621	A *	7/1999	Cook et al. 297/16.2
D180,210	S *	4/1957	Uretsky	D6/368	6,135,557	A	10/2000	Gustafsson	
D205,361	S *	7/1966	Mark	D6/498	6,536,732	B1	3/2003	Chang	
4,708,308	A	11/1987	Snider			D525,833	S *	8/2006	Segal D7/637
4,934,638	A	6/1990	Davis			7,367,617	B1	5/2008	Bond et al.	
						8,066,323	B2	11/2011	McCabe	
						D660,024	S	5/2012	Castle	

* cited by examiner

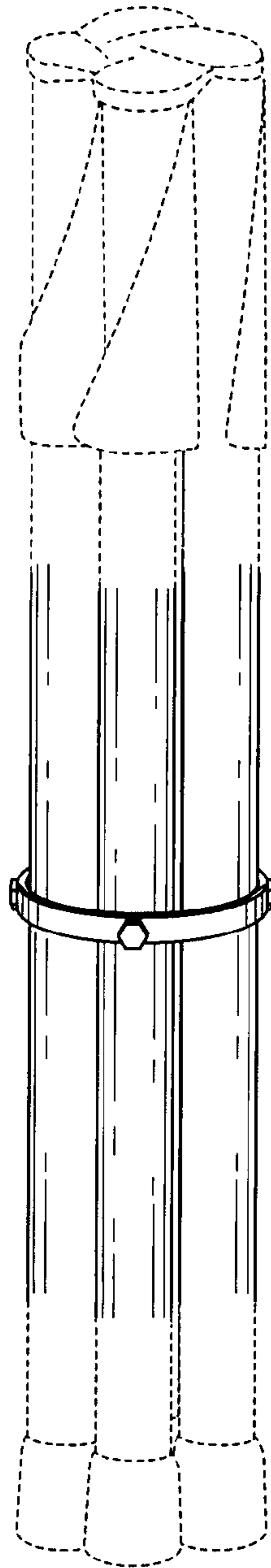


FIG. 1

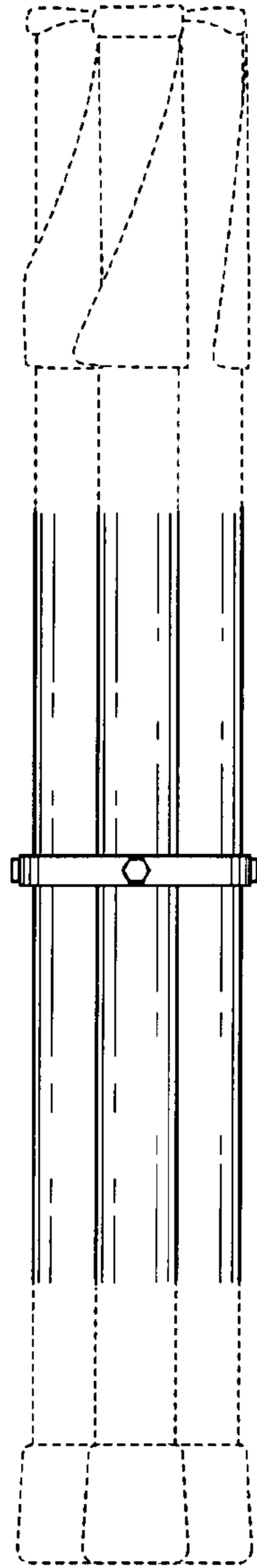


FIG. 2

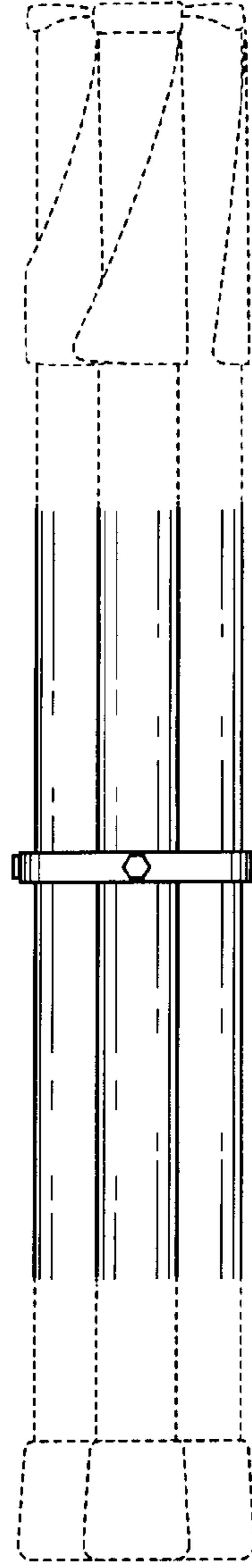


FIG. 3

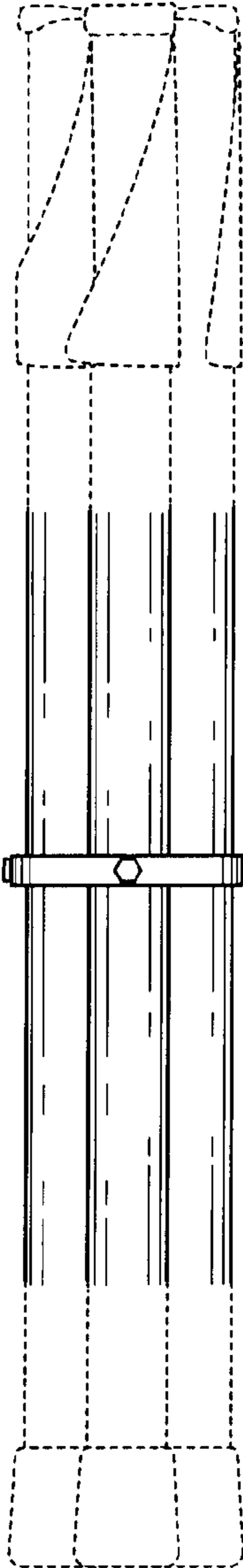


FIG. 4

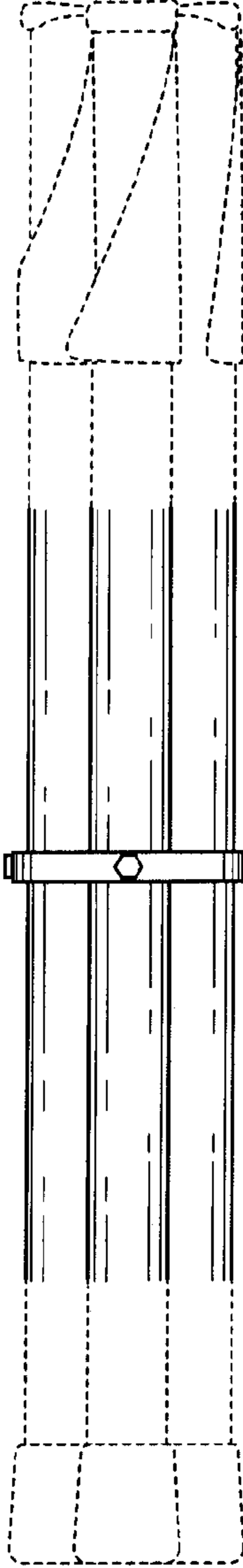


FIG. 5

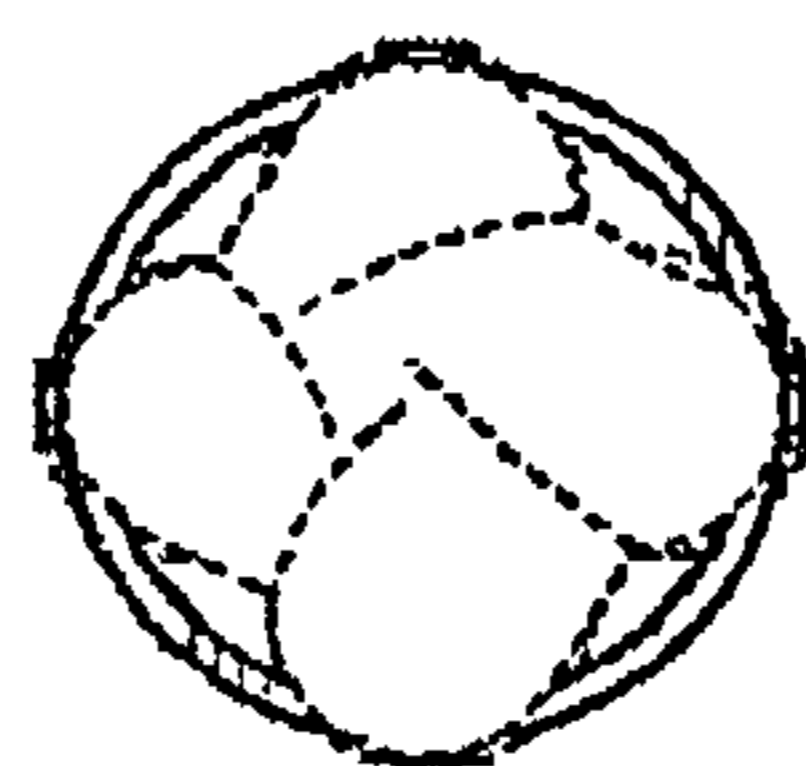


FIG. 6

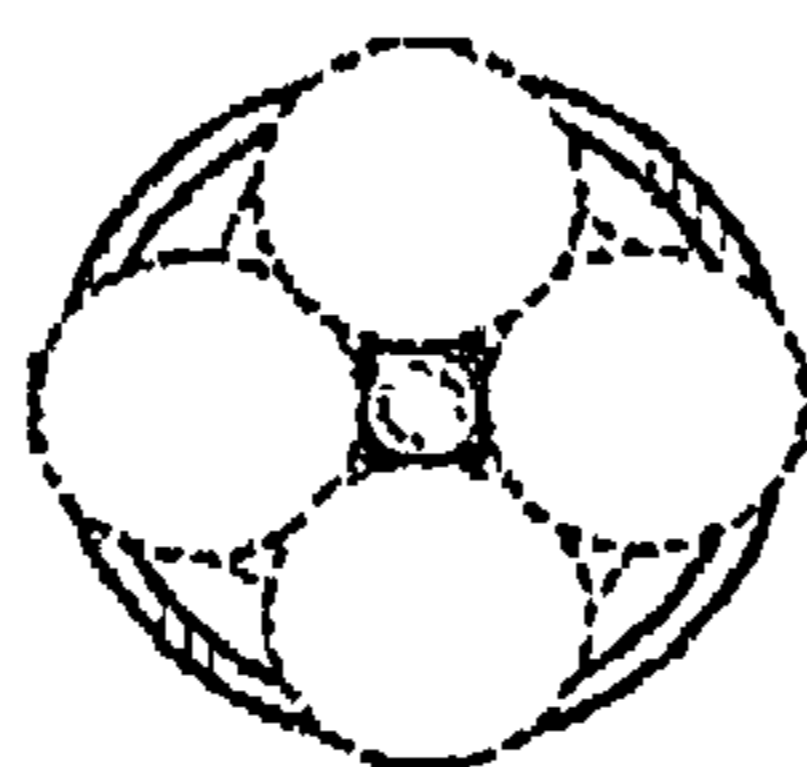


FIG. 7

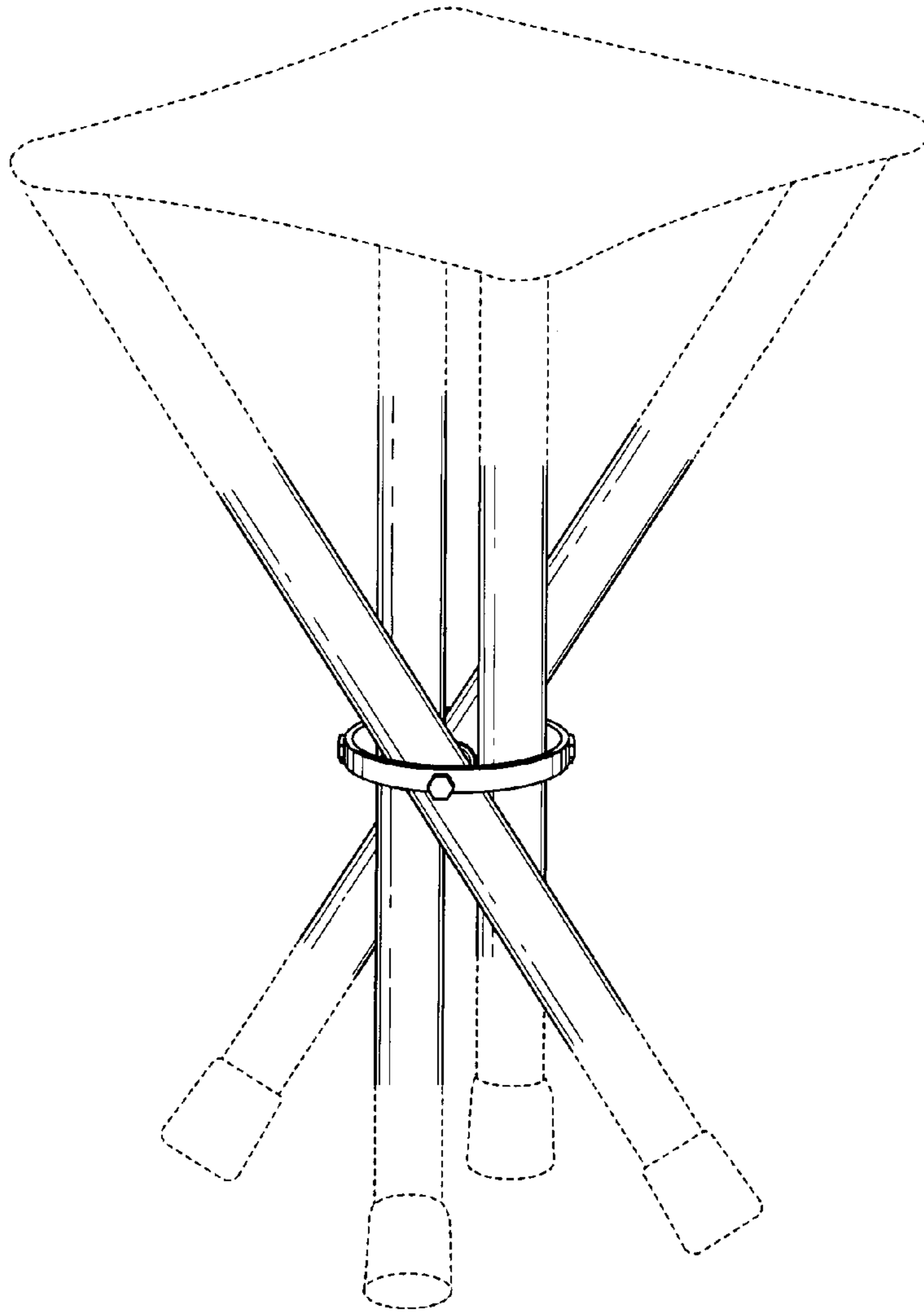


FIG. 8

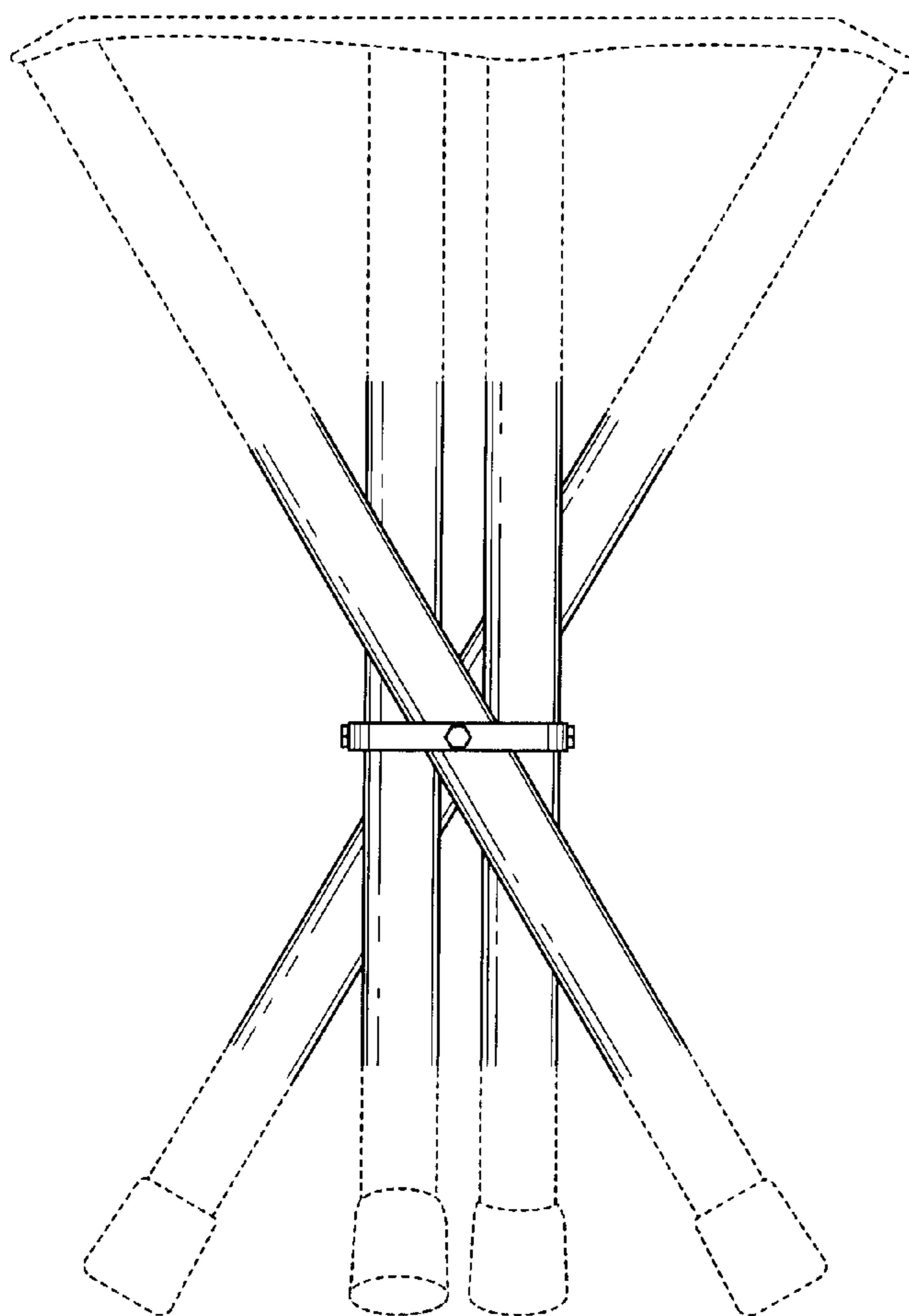


FIG. 9

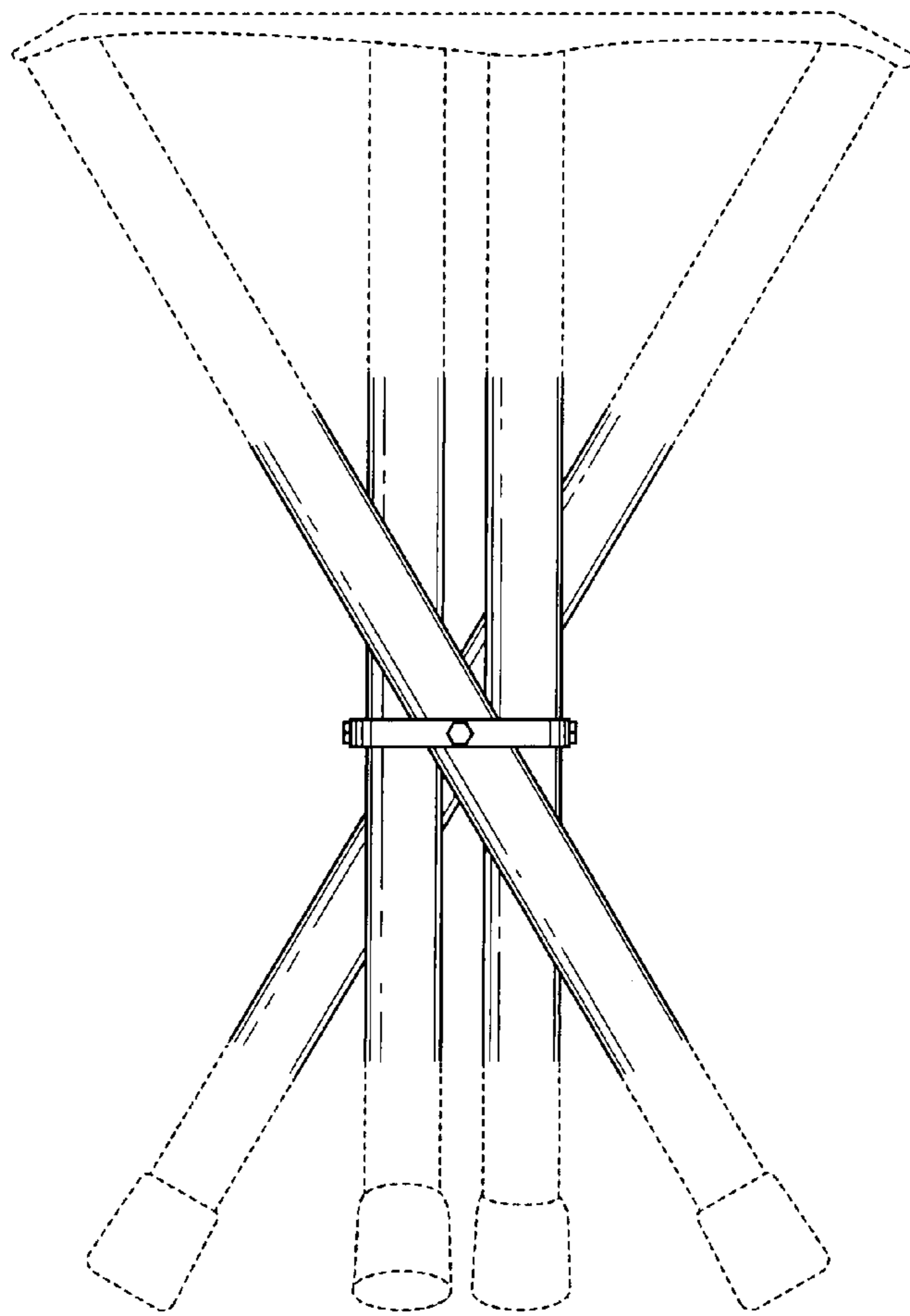


FIG. 10

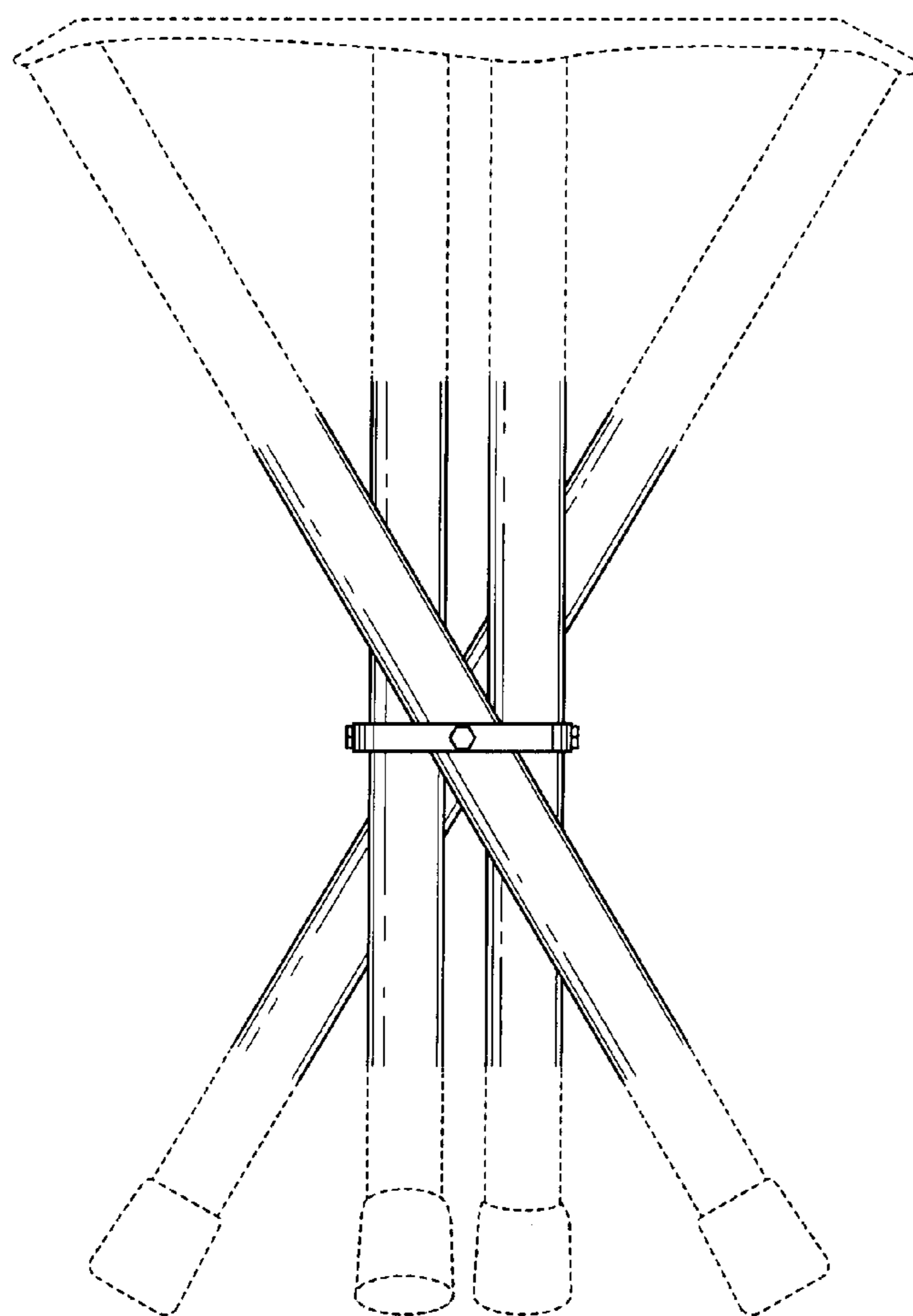


FIG. 11

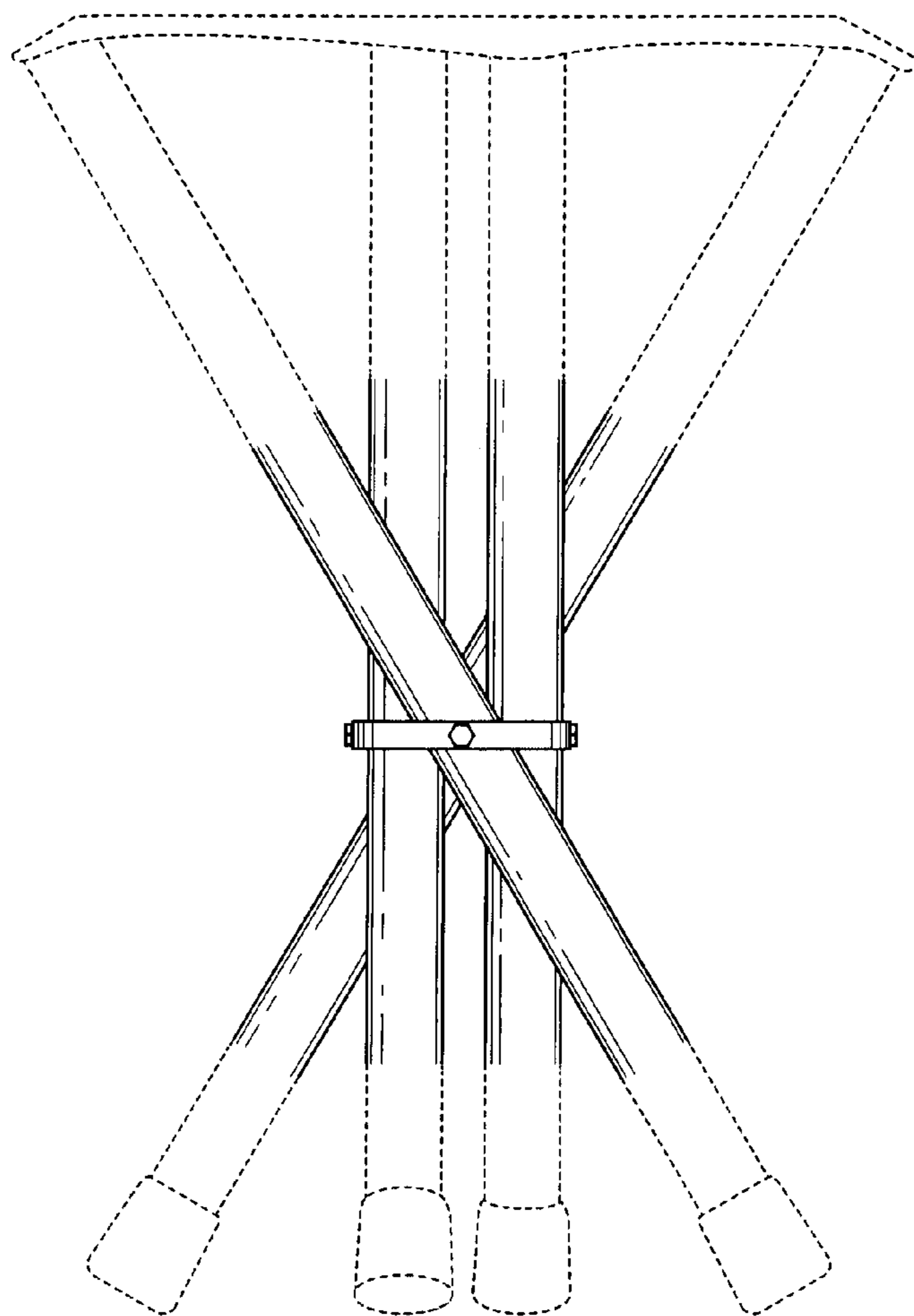


FIG. 12

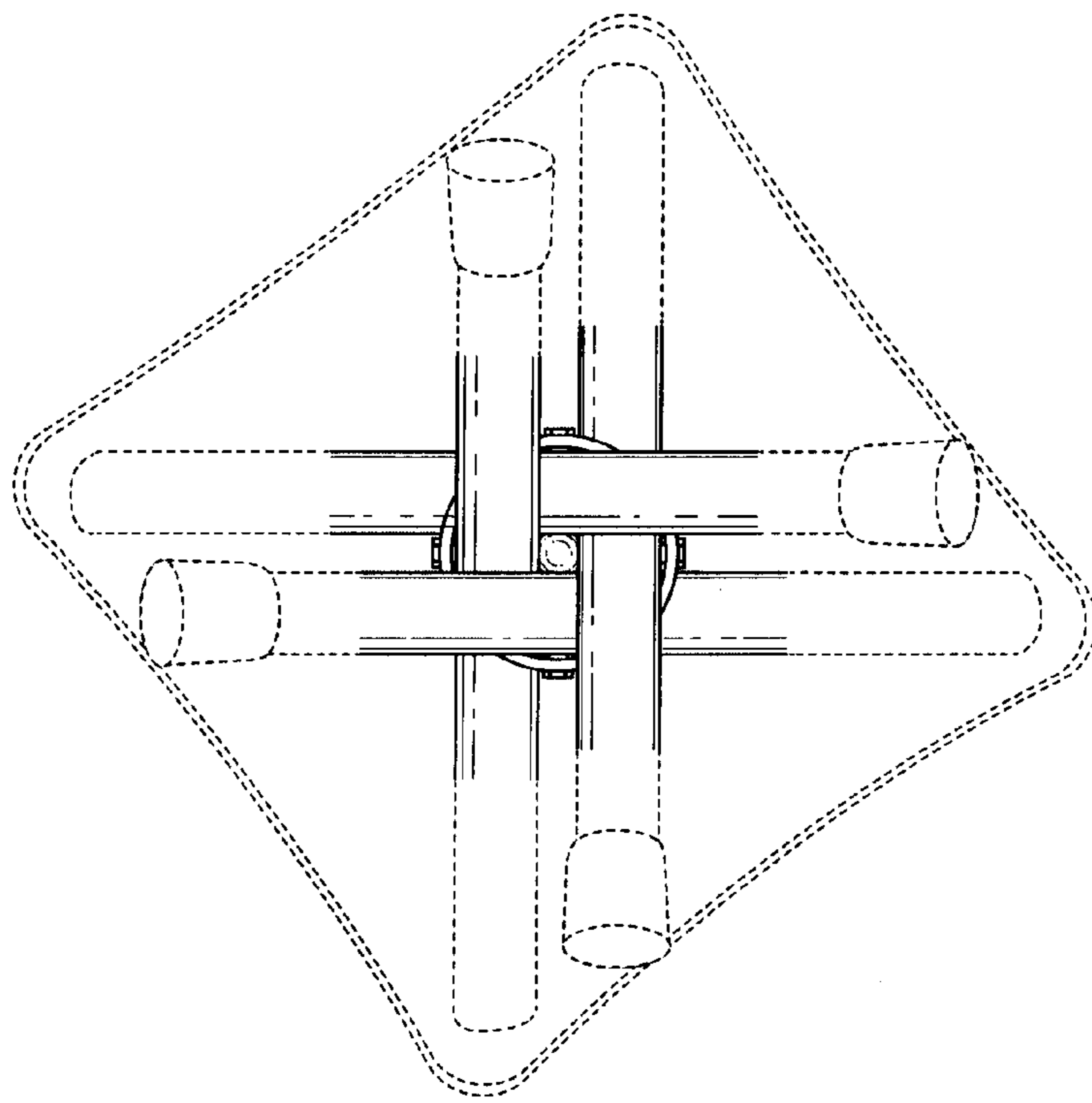


FIG. 13