



US00D733476S

(12) **United States Design Patent**
Papic et al.

(10) **Patent No.:** **US D733,476 S**

(45) **Date of Patent:** **** Jul. 7, 2015**

(54) **DESK**

(71) Applicant: **Evans Consoles Corporation**, Calgary, Alberta (CA)

(72) Inventors: **Matko Papic**, Alberta (CA); **Carlos Renderos**, Alberta (CA); **Richard Game**, Alberta (CA); **Ron Ferg**, New York, NY (US)

(73) Assignee: **EVANS CONSOLES CORPORATION**, Calgary, Alberta (CA)

(**) Term: **14 Years**

(21) Appl. No.: **29/456,926**

(22) Filed: **Jun. 5, 2013**

(51) **LOC (10) Cl.** **06-06**

(52) **U.S. Cl.**
USPC **D6/708**; D6/709; D6/655.16

(58) **Field of Classification Search**
USPC D6/641, 656, 656.1, 656.13, 656.14, D6/656.15, 656.16, 656.17, 708, 709, D6/709.2, 691.5
CPC A47B 9/00; A47B 9/04; A47B 9/20; A47B 21/02; A47B 13/00; A47B 21/06; A47B 2013/006
See application file for complete search history.

(56) **References Cited**

U.S. PATENT DOCUMENTS

D352,845	S	*	11/1994	Hellwig et al.	D6/656.16
5,398,622	A	*	3/1995	Lubinkas et al.	108/145
D370,579	S	*	6/1996	Simon	D6/656.16
5,752,448	A	*	5/1998	Eyre	108/20
6,029,586	A	*	2/2000	Schiavello	108/147
6,070,840	A	*	6/2000	Kelley et al.	248/188.4
D681,979	S	*	5/2013	Keen et al.	D6/691
2015/0096472	A1	*	4/2015	Papic et al.	108/28

* cited by examiner

Primary Examiner — Janice Seeger

(74) *Attorney, Agent, or Firm* — Notaro, Michalos & Zaccaria P.C.

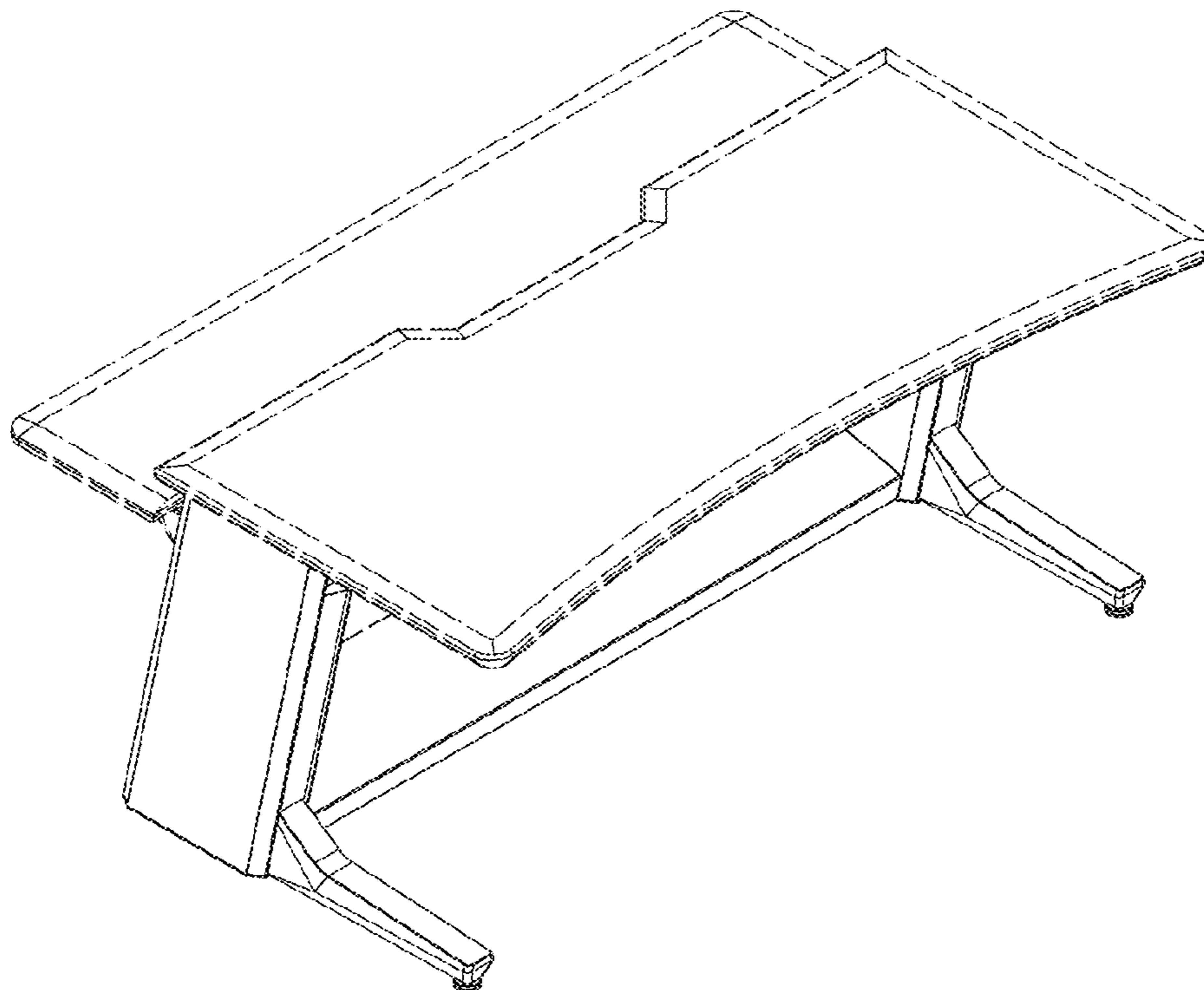
(57) **CLAIM**

The ornamental design for a desk, as shown and described.

DESCRIPTION

FIG. 1 is a top front left perspective view of a desk showing our new design therefore;
FIG. 2 is a top rear right perspective view thereof;
FIG. 3 is a top plan view thereof;
FIG. 4 is a front elevational view thereof;
FIG. 5 is a rear elevational view thereof;
FIG. 6 is a right side elevational view thereof; and,
FIG. 7 is a left side elevational view thereof.
Throughout the drawings, the broken lines show areas that form no part of the claimed design.

1 Claim, 4 Drawing Sheets



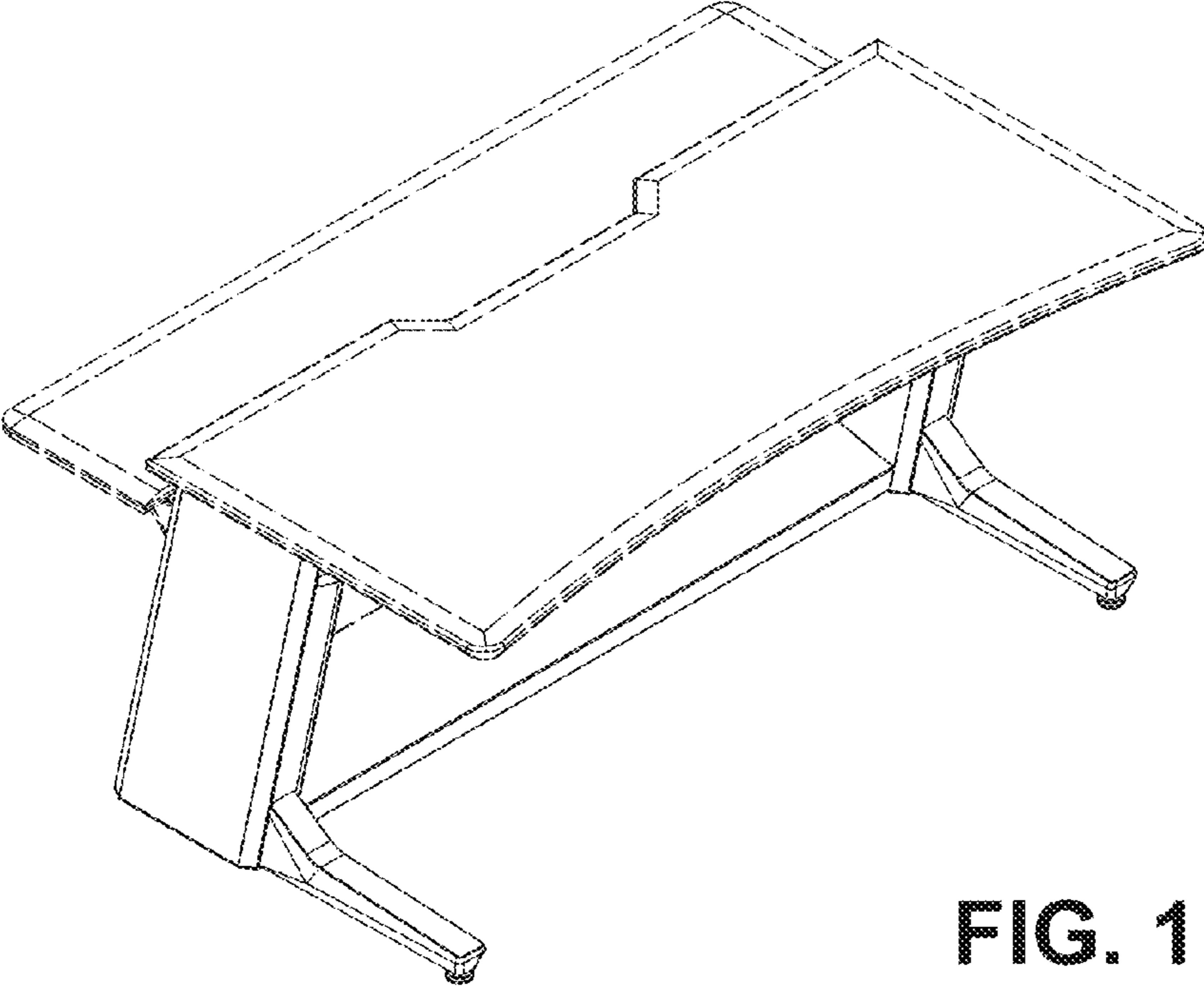


FIG. 1

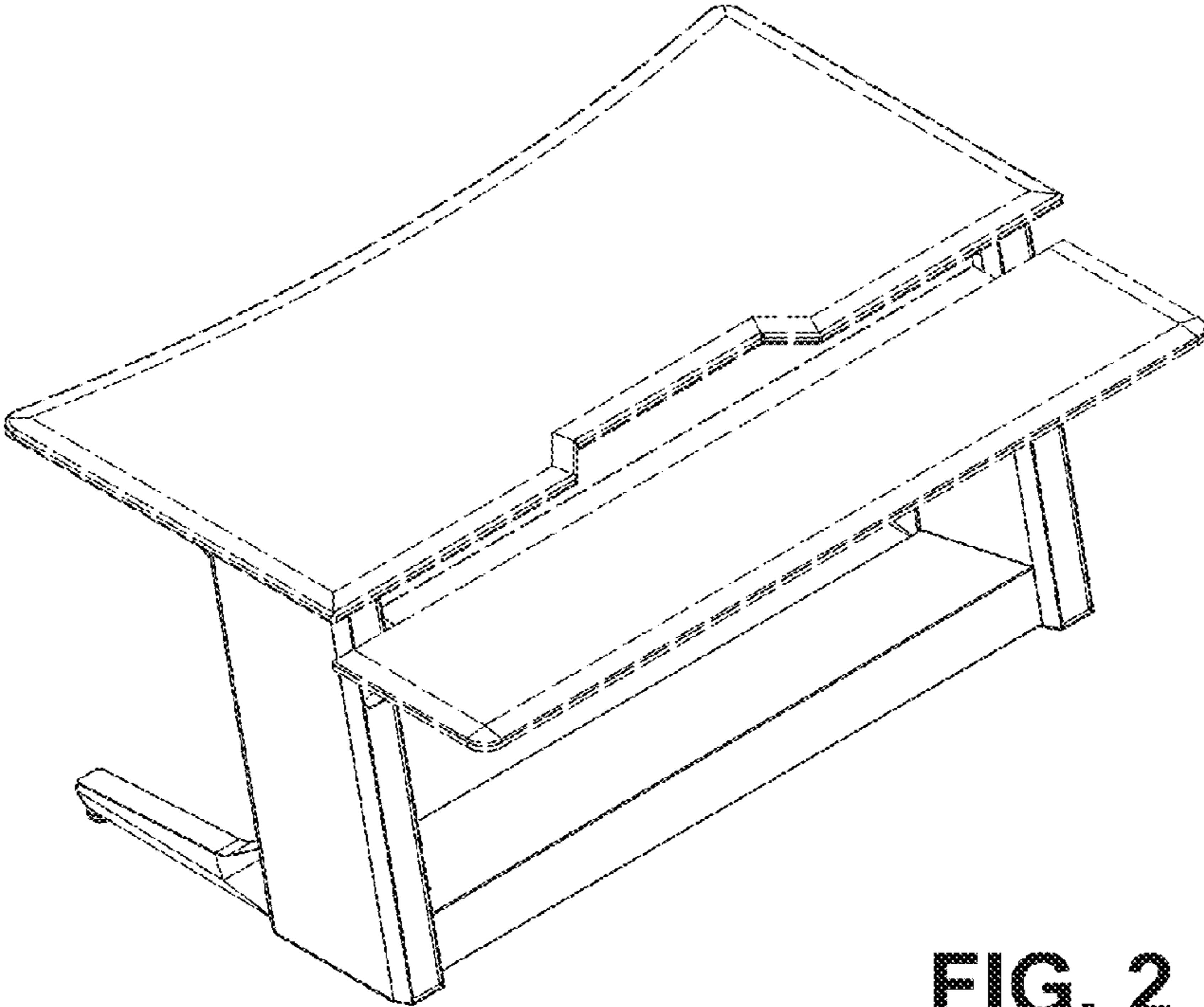


FIG. 2

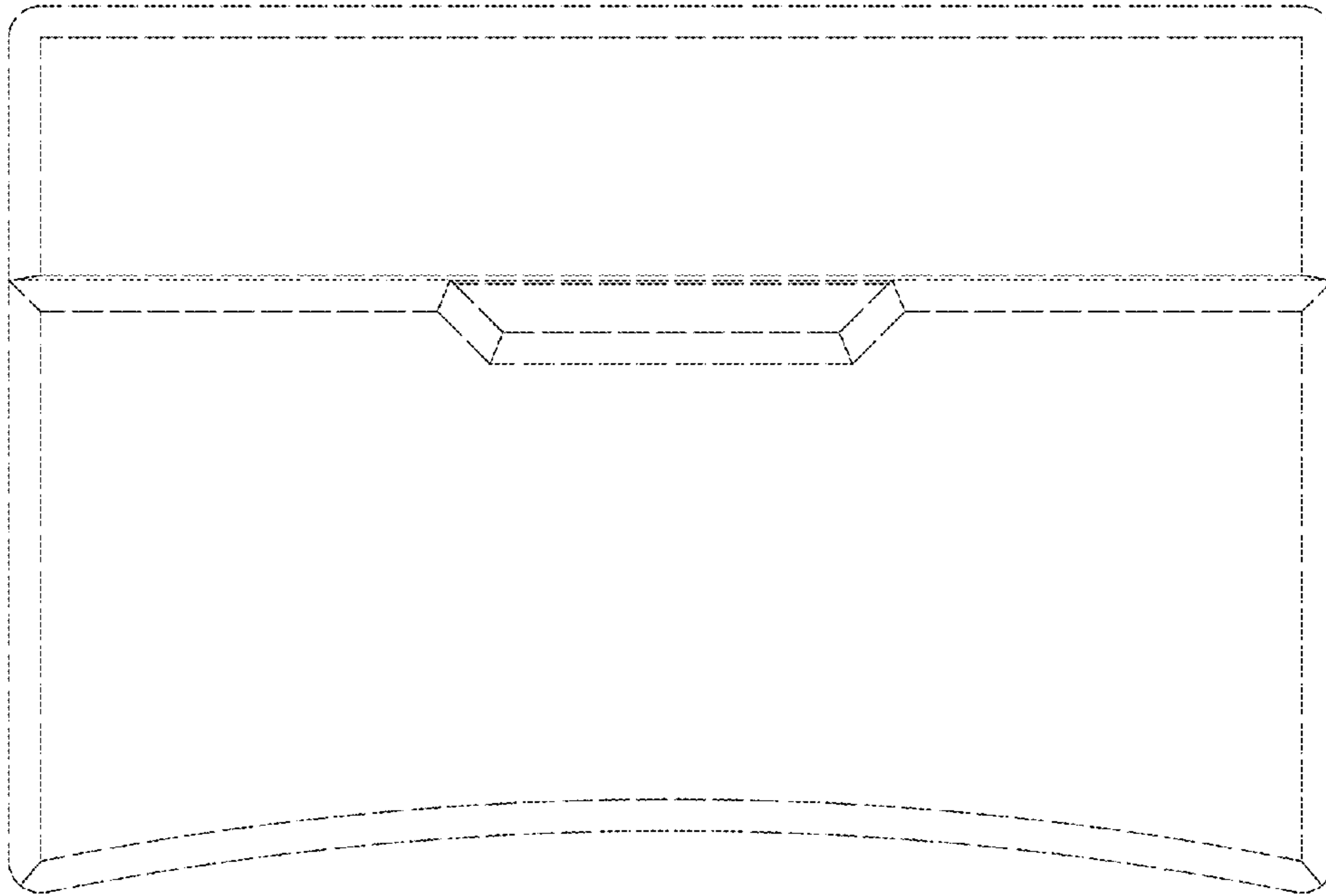


FIG. 3

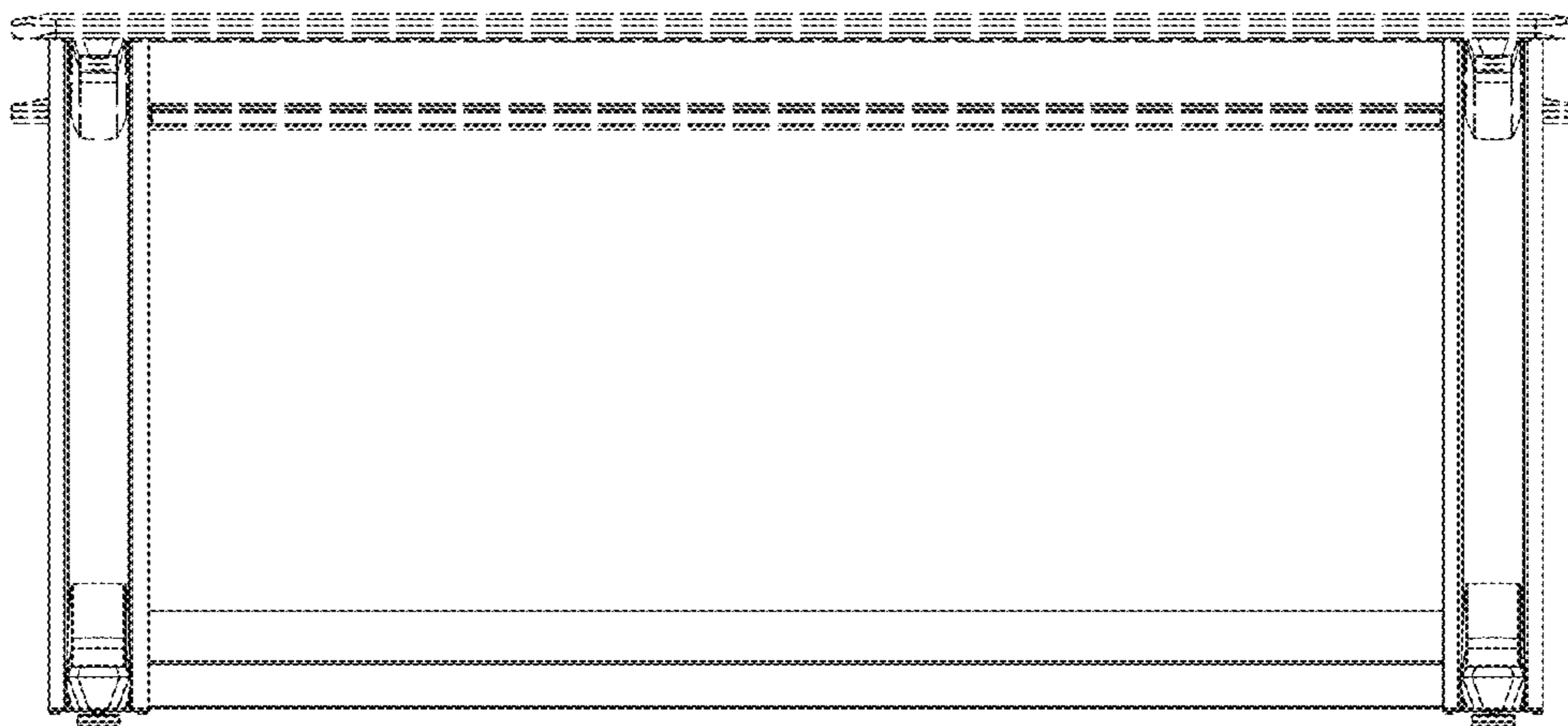


FIG. 4

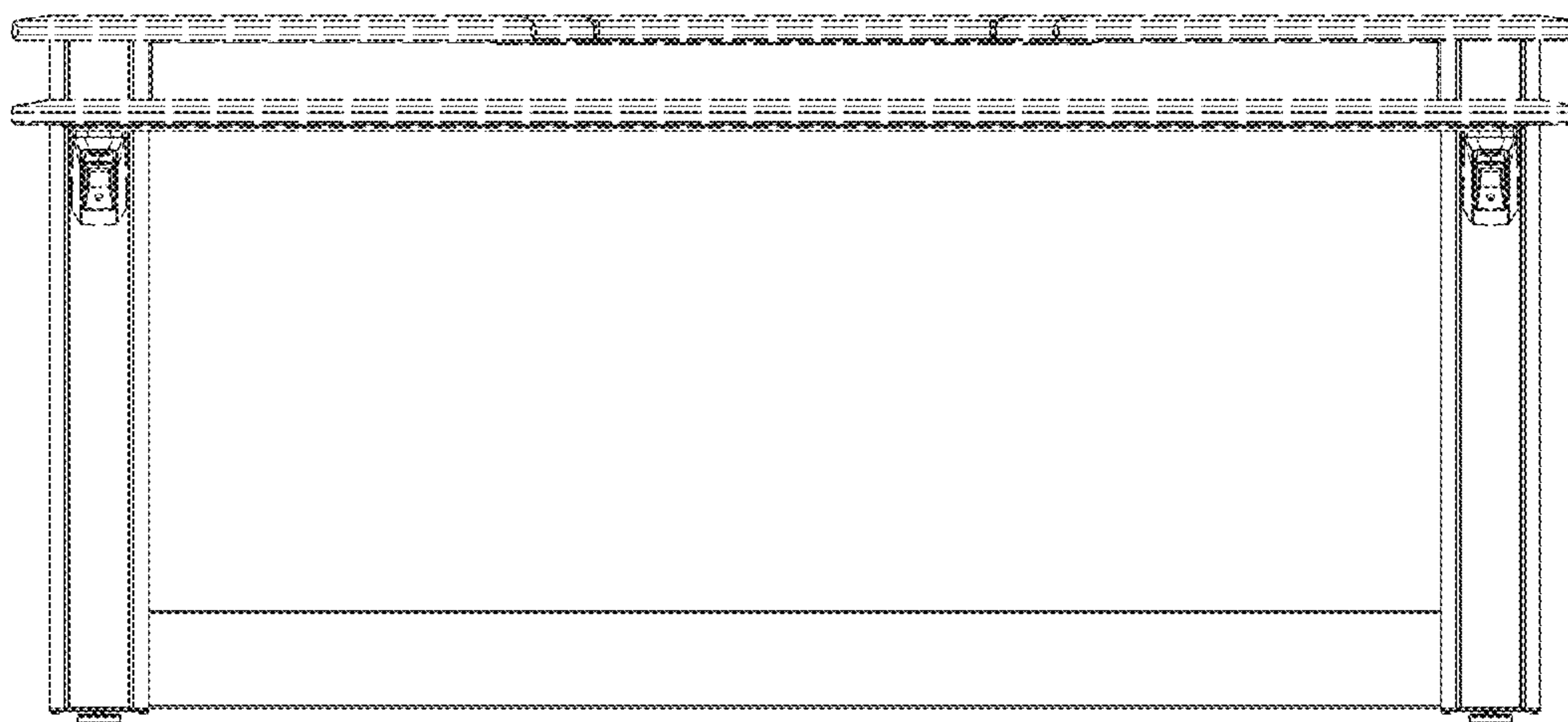


FIG. 5

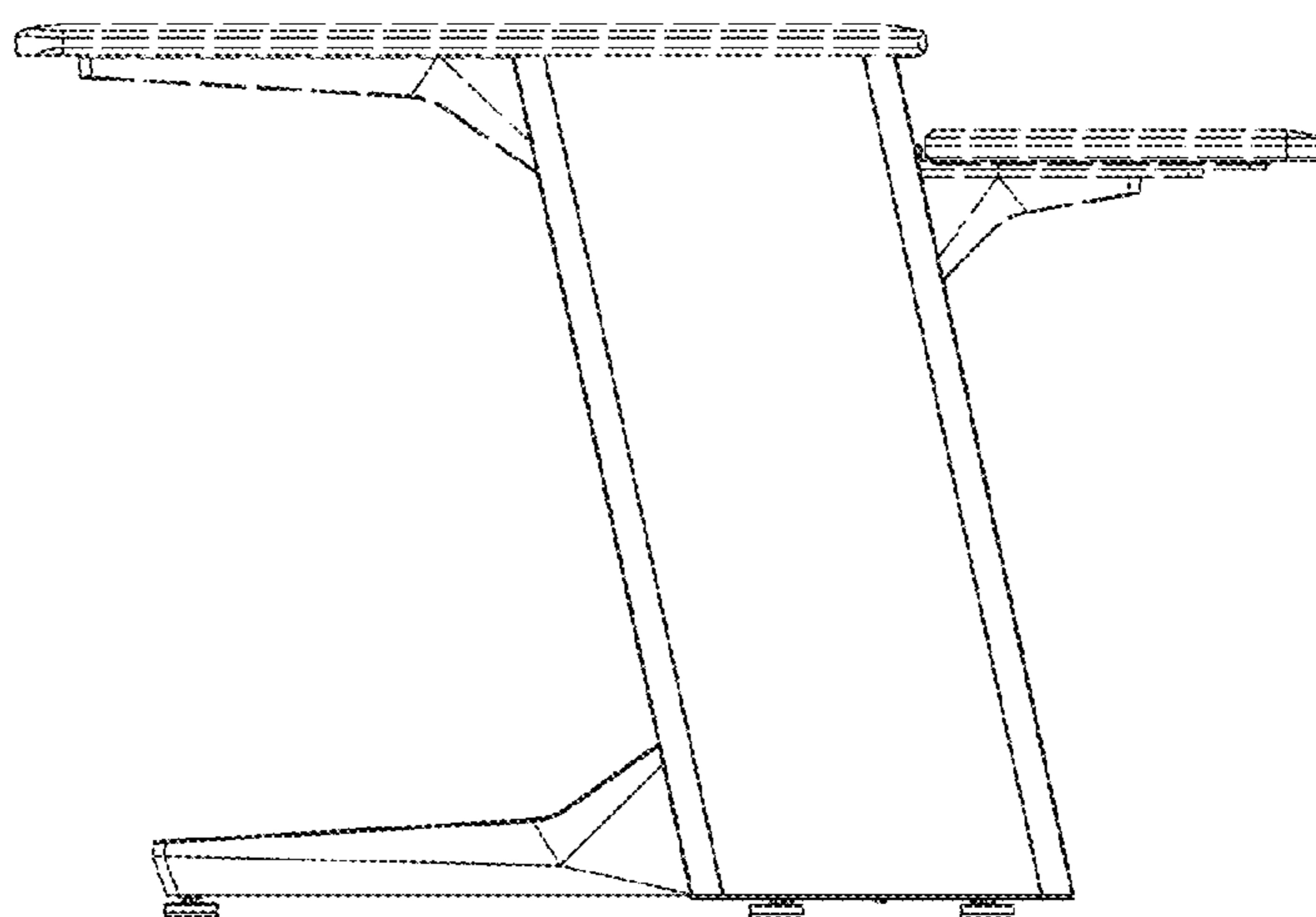


FIG. 6

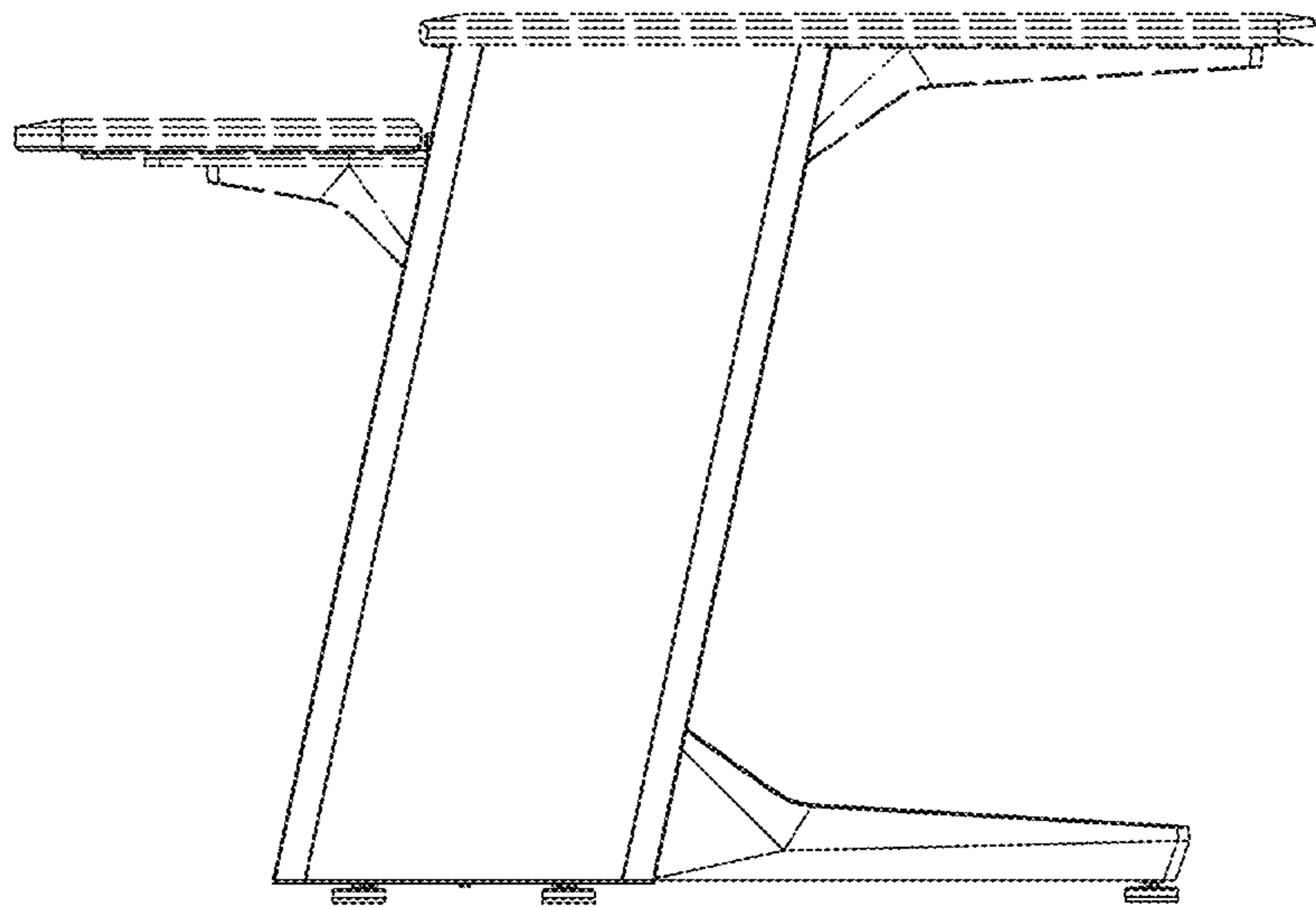


FIG. 7