



US00D733474S

(12) **United States Design Patent**  
**Fishman et al.**

(10) **Patent No.:** **US D733,474 S**

(45) **Date of Patent:** **\*\* Jul. 7, 2015**

(54) **WORK SURFACE**

(71) Applicant: **Novartis Institutes for Biomedical Research, Inc.**, Cambridge, MA (US)  
  
(72) Inventors: **Mark C. Fishman**, Cambridge, MA (US); **Toshiko Mori**, New York, NY (US); **Landon S. Brown**, Brooklyn, NY (US)

(73) Assignee: **Novartis Institutes for Biomedical Research, Inc.**, Cambridge, MA (US)

(\*\*) Term: **14 Years**

(21) Appl. No.: **29/446,565**

(22) Filed: **Feb. 25, 2013**

(51) **LOC (10) Cl.** ..... **06-06**

(52) **U.S. Cl.**  
USPC ..... **D6/707.19**

(58) **Field of Classification Search**  
USPC ..... D6/641, 656, 656.1, 656.13, 656.15, D6/656.16, 656.17, 656.18, 691, 691.4, D6/691.5, 691.6, 707.17, 707.19  
CPC ..... A47B 13/003; A47B 13/02; A47B 13/08; A47B 2013/08; A47B 2200/001; A47B 2200/0011; A47B 2037/005; A47B 21/06

See application file for complete search history.

(56) **References Cited**

U.S. PATENT DOCUMENTS

D296,851 S *	7/1988	Kelley .....	D6/420
D331,849 S *	12/1992	Weyel .....	D6/484
D474,049 S *	5/2003	Wakasugi et al. ....	D6/484
D503,302 S *	3/2005	Farber et al. ....	D6/511
2014/0238277 A1 *	8/2014	Fishman et al. ....	108/25

\* cited by examiner

*Primary Examiner* — Janice Seeger

(74) *Attorney, Agent, or Firm* — Morrison & Foerster LLP

(57) **CLAIM**

The ornamental design for a work surface, as shown and described.

**DESCRIPTION**

FIG. 1 is a top perspective view of a work surface according to one embodiment, which may be used with a laboratory workbench.

FIG. 2 is a front view of the work surface.

FIG. 3 is a back view of the work surface.

FIG. 4 is a first side view of the work surface.

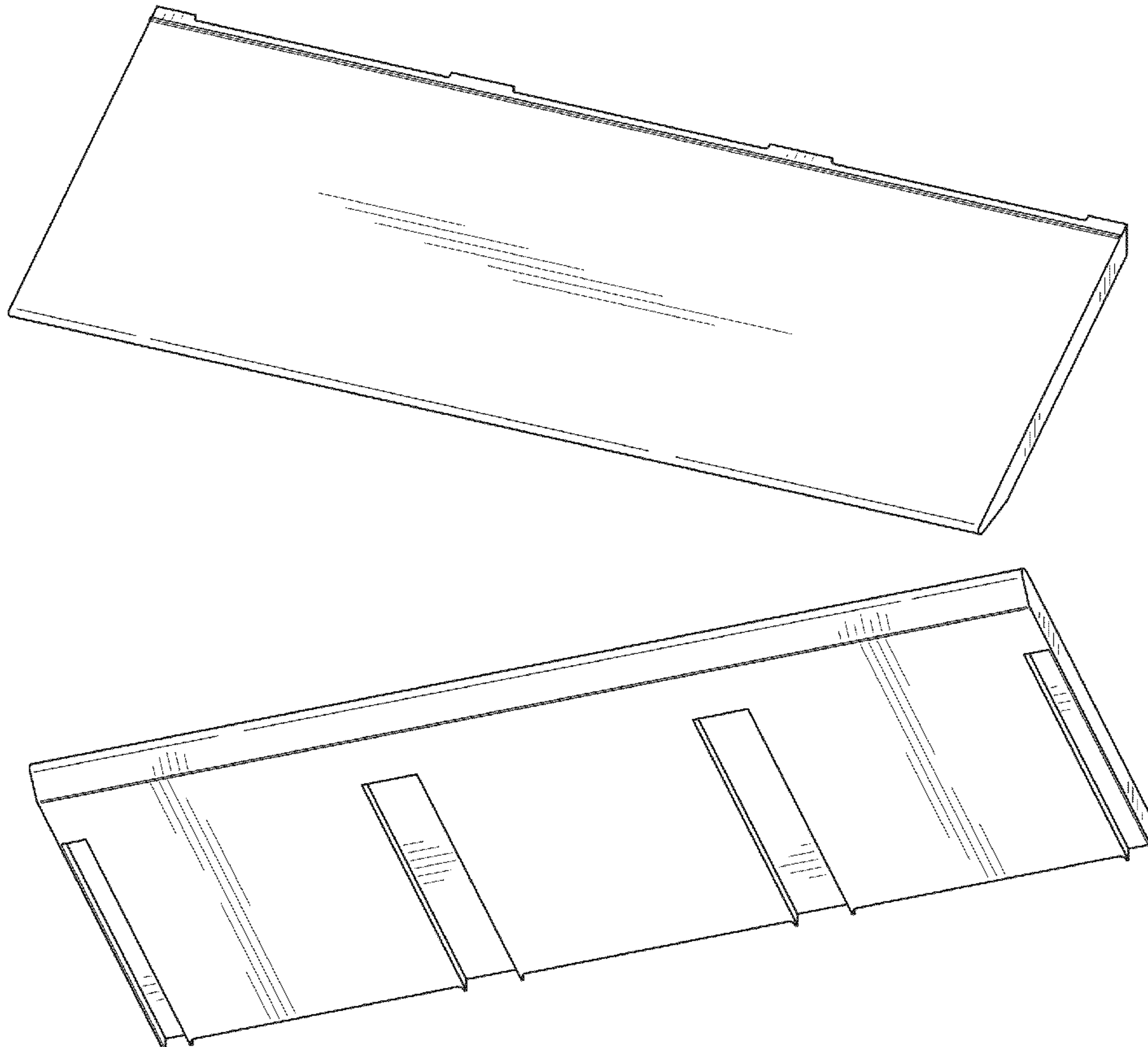
FIG. 5 is a second side view, opposite of the first side view, of the work surface.

FIG. 6 is a top view of the work surface.

FIG. 7 is a bottom view of the work surface; and,

FIG. 8 is a bottom perspective view of the work surface.

**1 Claim, 3 Drawing Sheets**



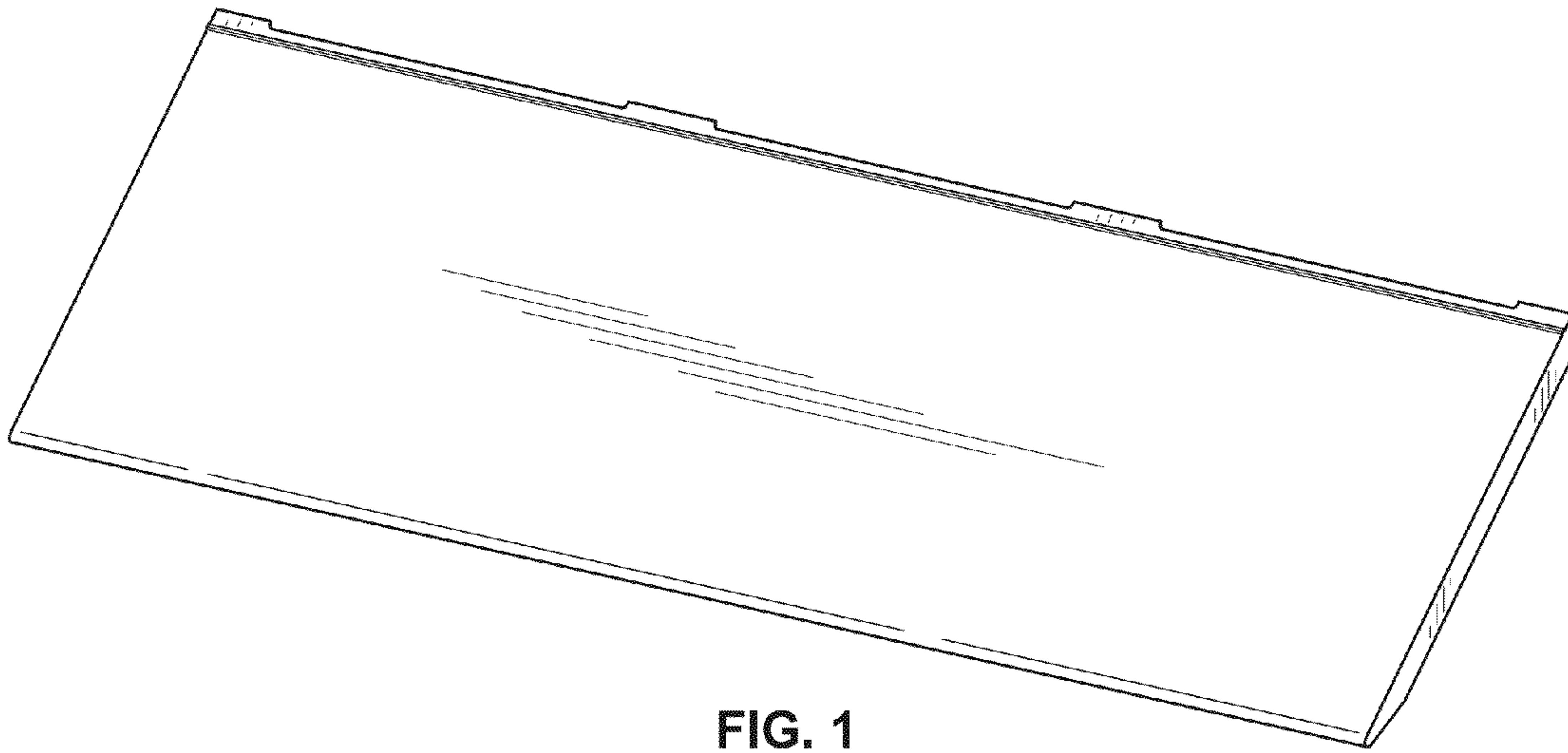


FIG. 1

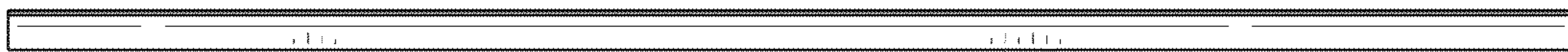


FIG. 2

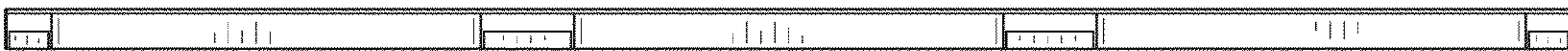


FIG. 3



FIG. 4



FIG. 5

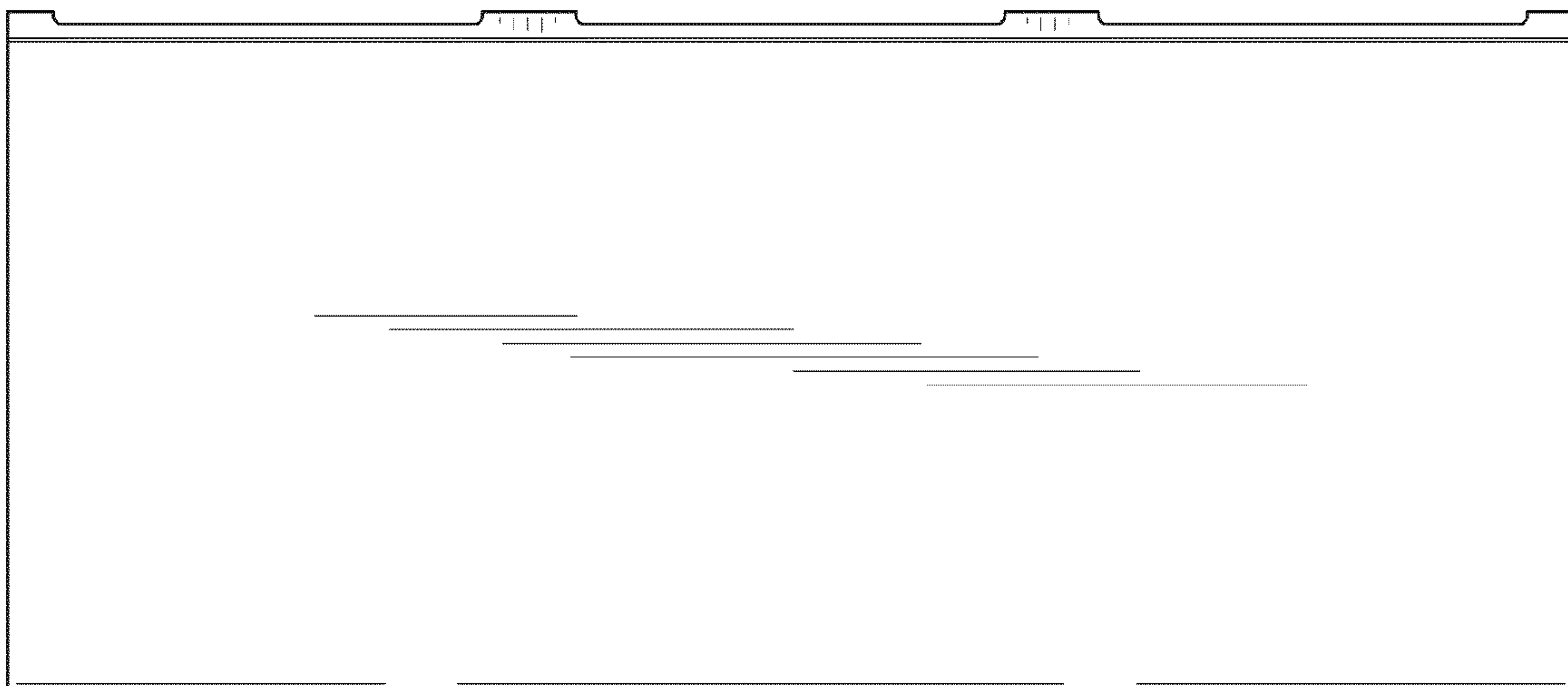


FIG. 6

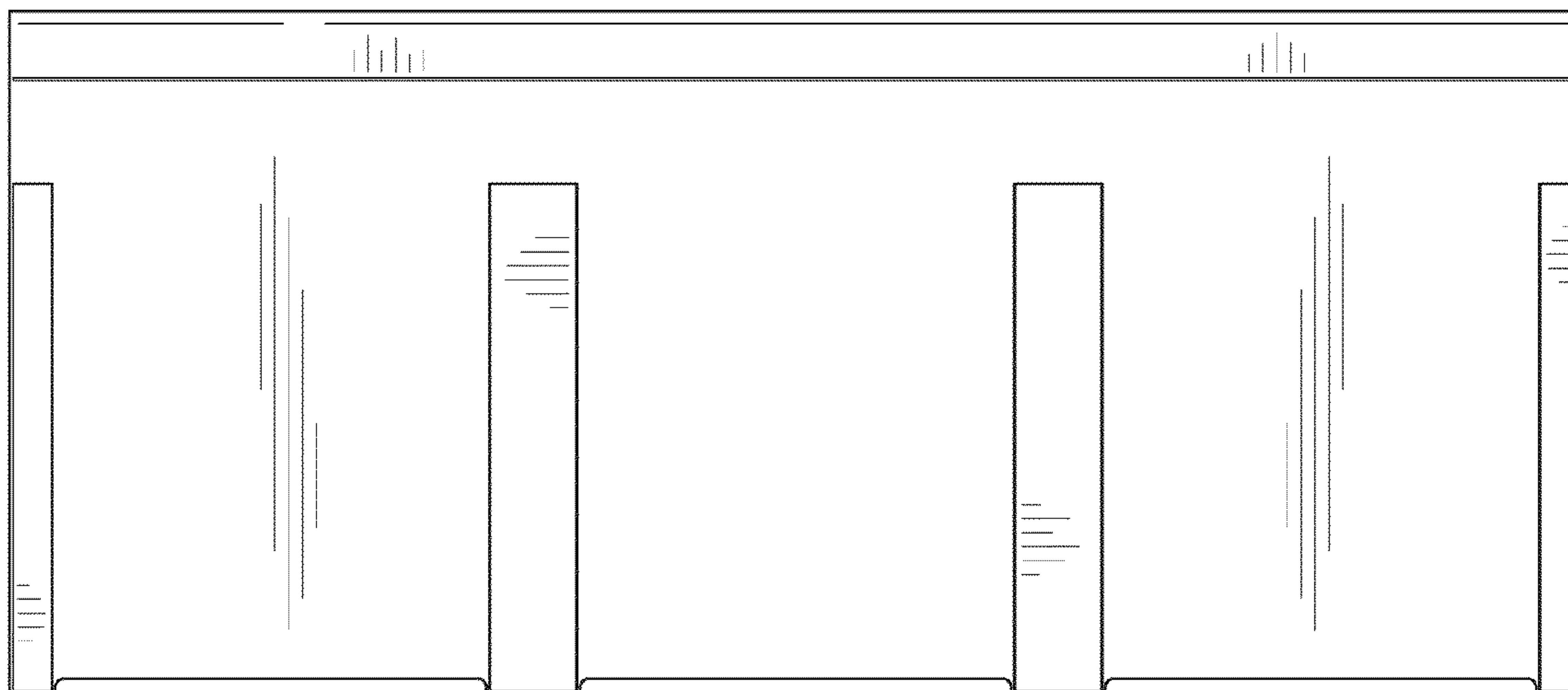


FIG. 7

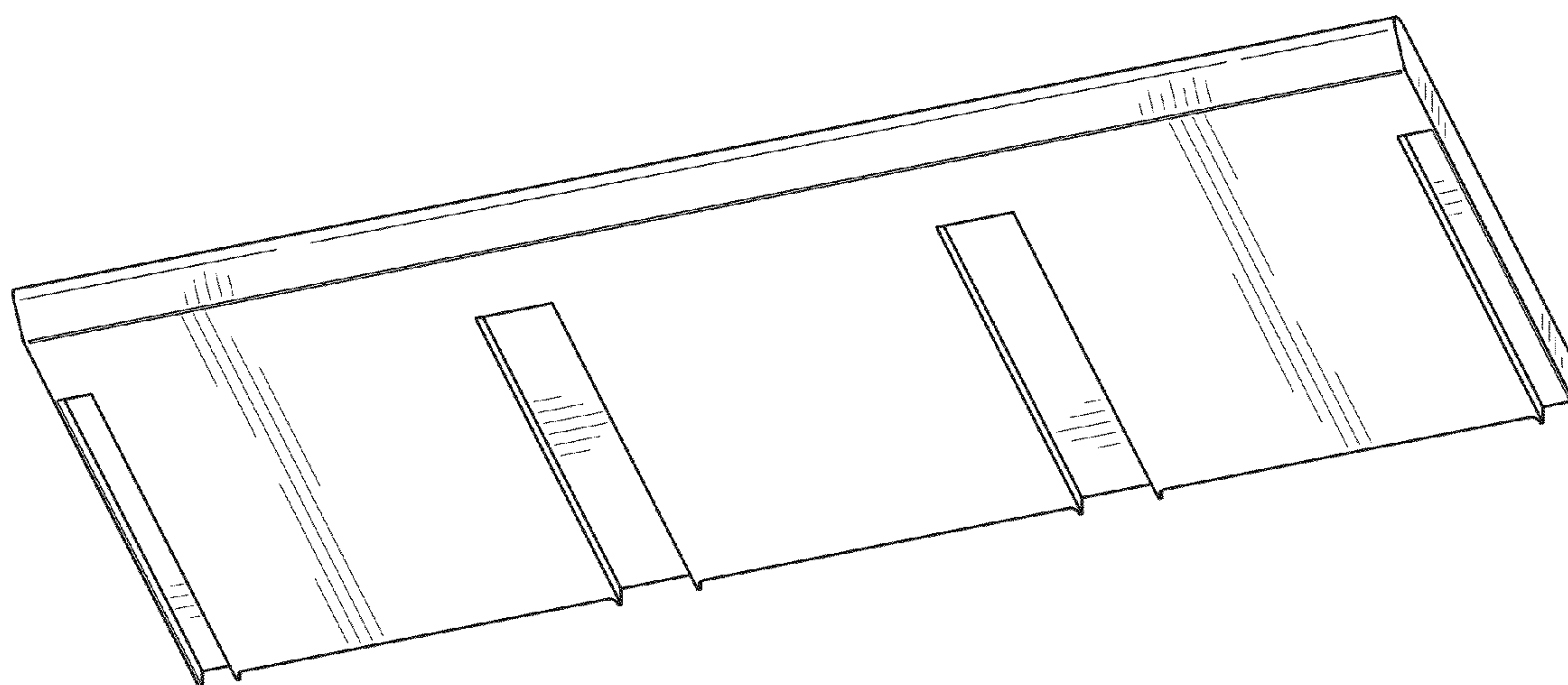


FIG. 8