



US00D733472S

(12) **United States Design Patent**
Couture

(10) **Patent No.:** **US D733,472 S**

(45) **Date of Patent:** **** Jul. 7, 2015**

- (54) **BAR**
- (71) Applicant: **Artika For Living Inc.**, Dorval (CA)
- (72) Inventor: **Marc Couture**, Lachine (CA)
- (73) Assignee: **Artika for Living Inc.**, Dorval, Quebec (CA)
- (**) Term: **14 Years**
- (21) Appl. No.: **29/498,442**
- (22) Filed: **Aug. 4, 2014**
- (51) **LOC (10) Cl.** **06-03**
- (52) **U.S. Cl.**
USPC **D6/699**
- (58) **Field of Classification Search**
USPC D6/698, 699, 699.1, 699.2, 699.3, 657,
D6/664, 668, 686, 691.4; 312/140.1,
312/140.2, 116, 117, 284, 286; 108/69, 70,
108/77
See application file for complete search history.

(56) **References Cited**

U.S. PATENT DOCUMENTS

D306,664 S *	3/1990	Pouch	D6/429
D417,981 S *	12/1999	Zwicker	D6/481
D551,878 S *	10/2007	Cohen	D6/442
D689,310 S *	9/2013	Meissner et al.	D6/699
2006/0070556 A1 *	4/2006	Burton et al.	108/77

* cited by examiner

Primary Examiner — Janice Seeger

(74) *Attorney, Agent, or Firm* — Robert Brouillette; Brouillette & Partners

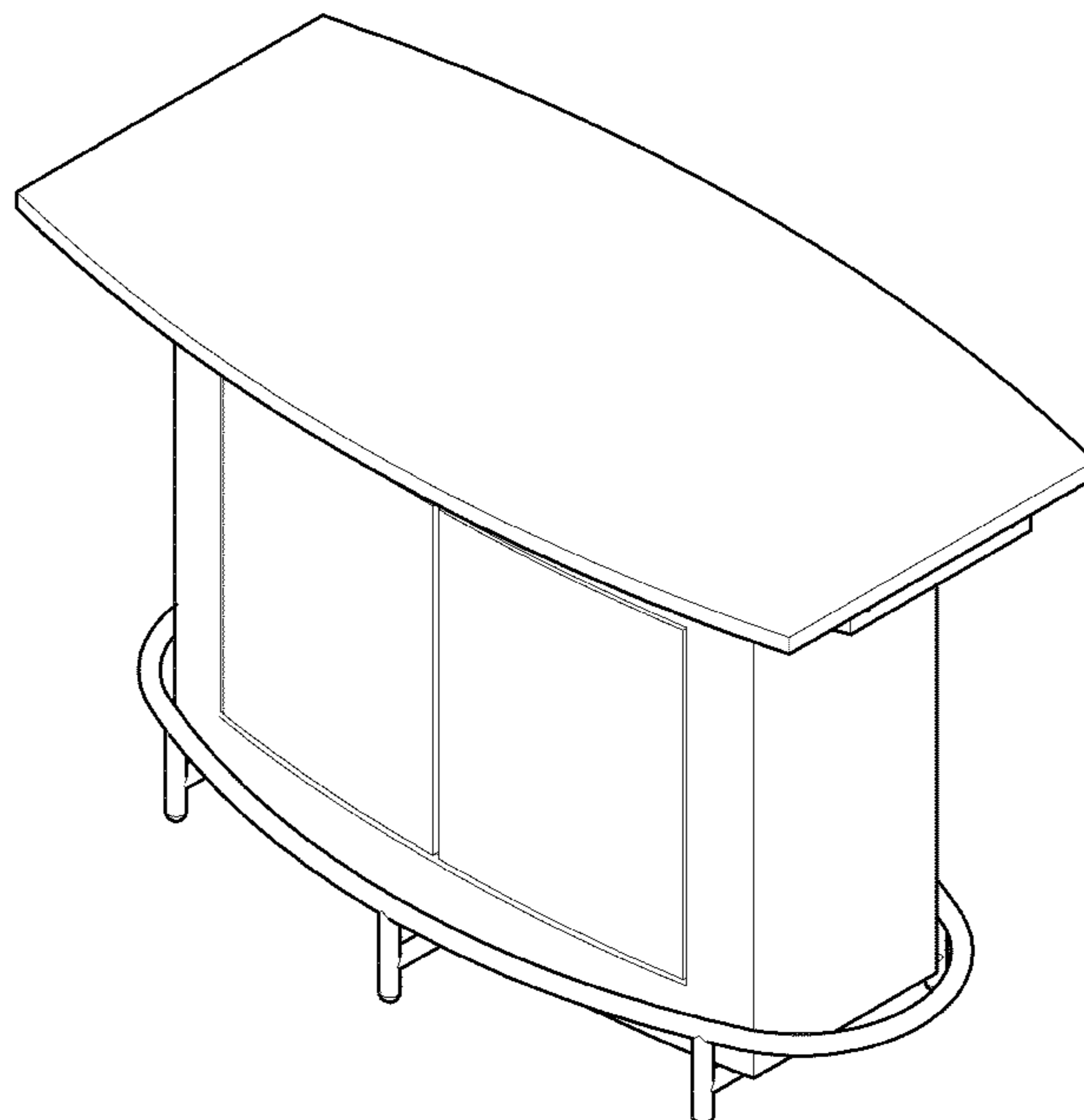
(57) **CLAIM**

The ornamental design for a bar, as shown and described.

DESCRIPTION

FIG. 1 is a rear perspective view of the bar;
 FIG. 2 is a front perspective view of the bar;
 FIG. 3 is a top view of the bar;
 FIG. 4 is a right side view of the bar;
 FIG. 5 is a rear view of the bar;
 FIG. 6 is a left side view of the bar;
 FIG. 7 is a front view of the bar;
 FIG. 8 is a bottom view of the bar;
 FIG. 9 is a rear perspective view of the bar shown with an extended countertop;
 FIG. 10 is a front perspective view of the bar shown with an extended countertop;
 FIG. 11 is a top view of the bar shown with an extended countertop;
 FIG. 12 is a right side view of the bar shown with an extended countertop;
 FIG. 13 is a rear view of the bar shown with an extended countertop;
 FIG. 14 is a left side view of the bar shown with an extended countertop;
 FIG. 15 is a front view of the bar shown with an extended countertop; and,
 FIG. 16 is a bottom view of the bar shown with an extended countertop.
 The broken lines are for environmental purposes only and form no part of the claimed design.

1 Claim, 10 Drawing Sheets



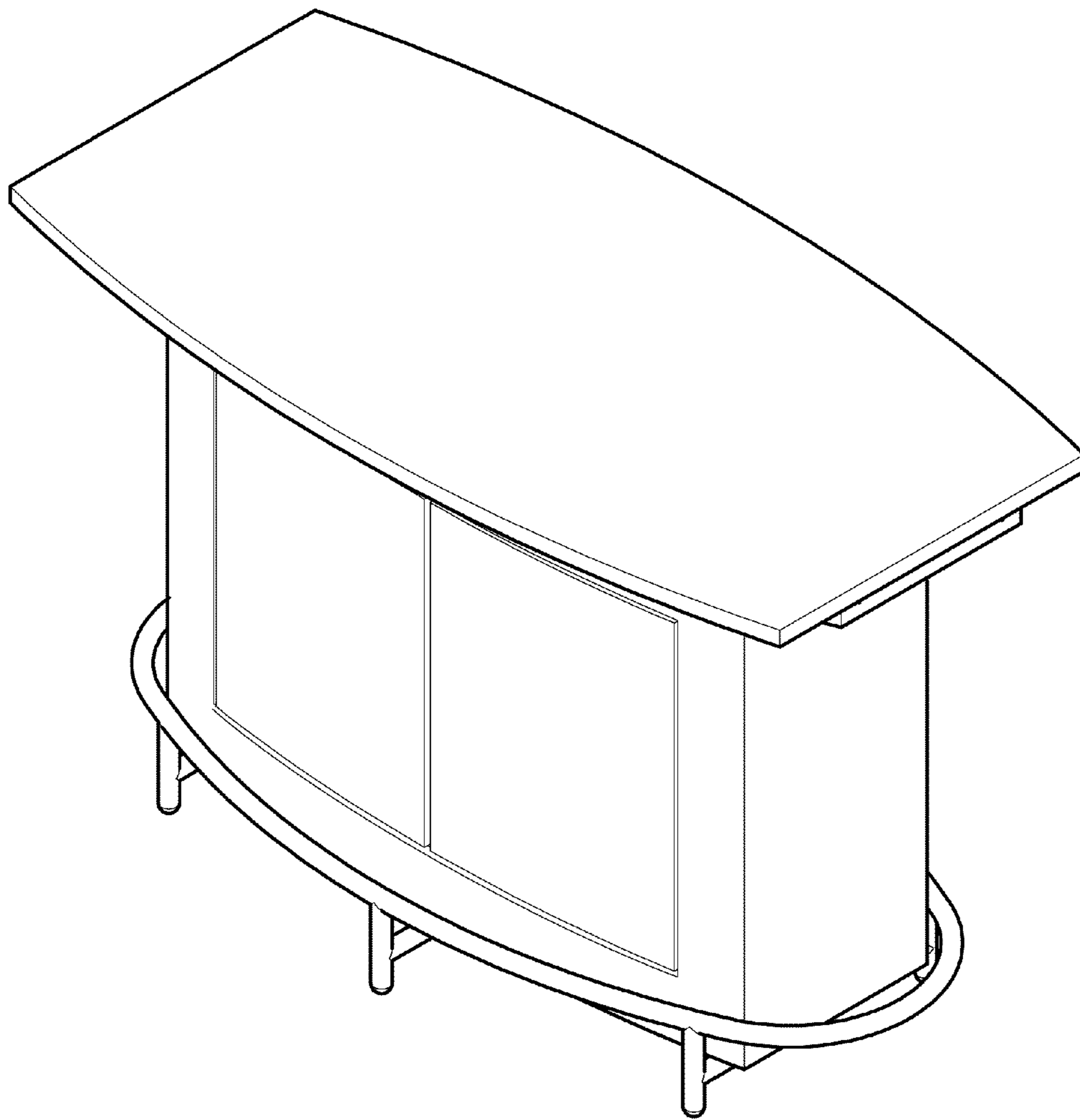


FIG. 1

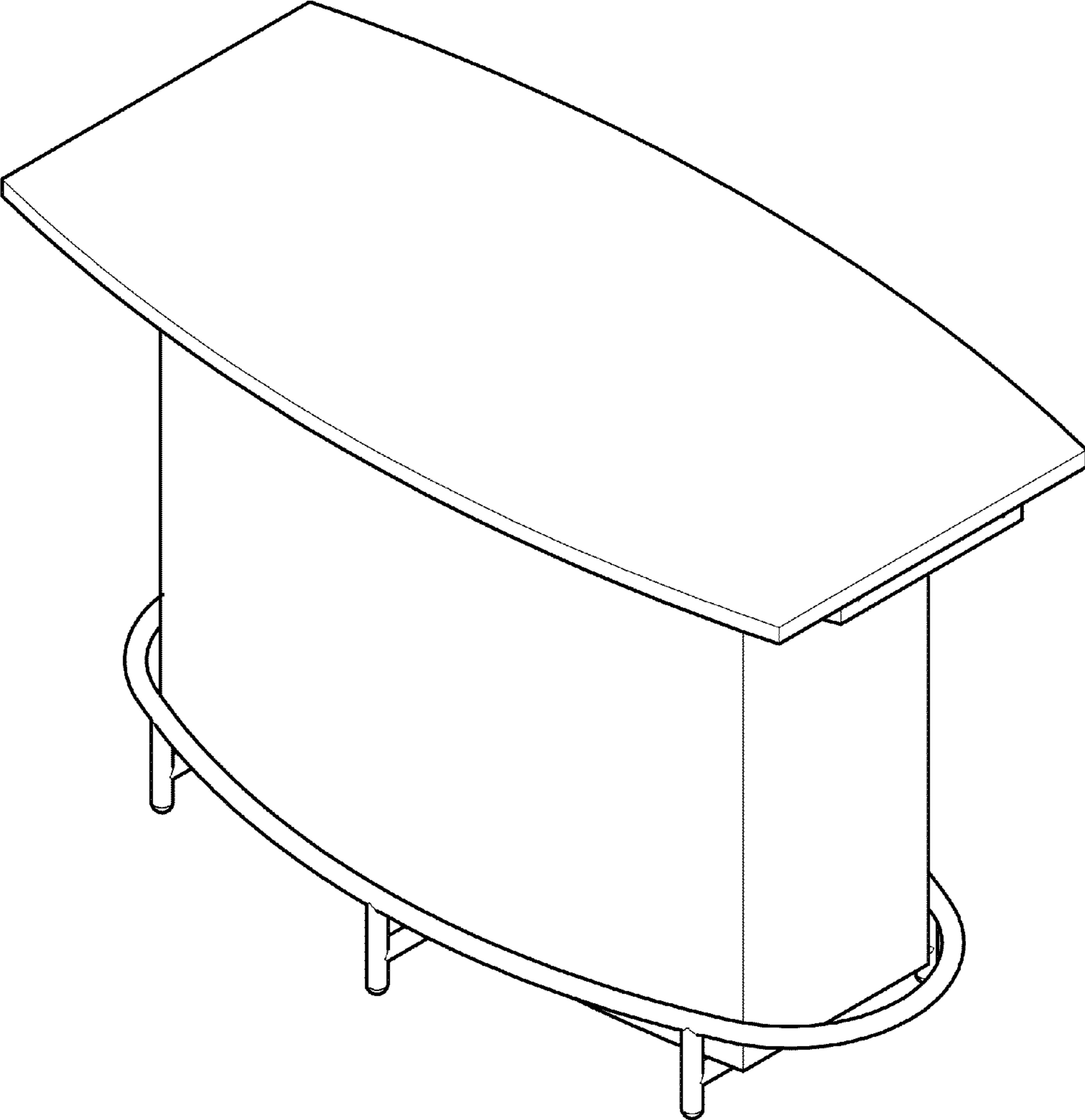


FIG. 2

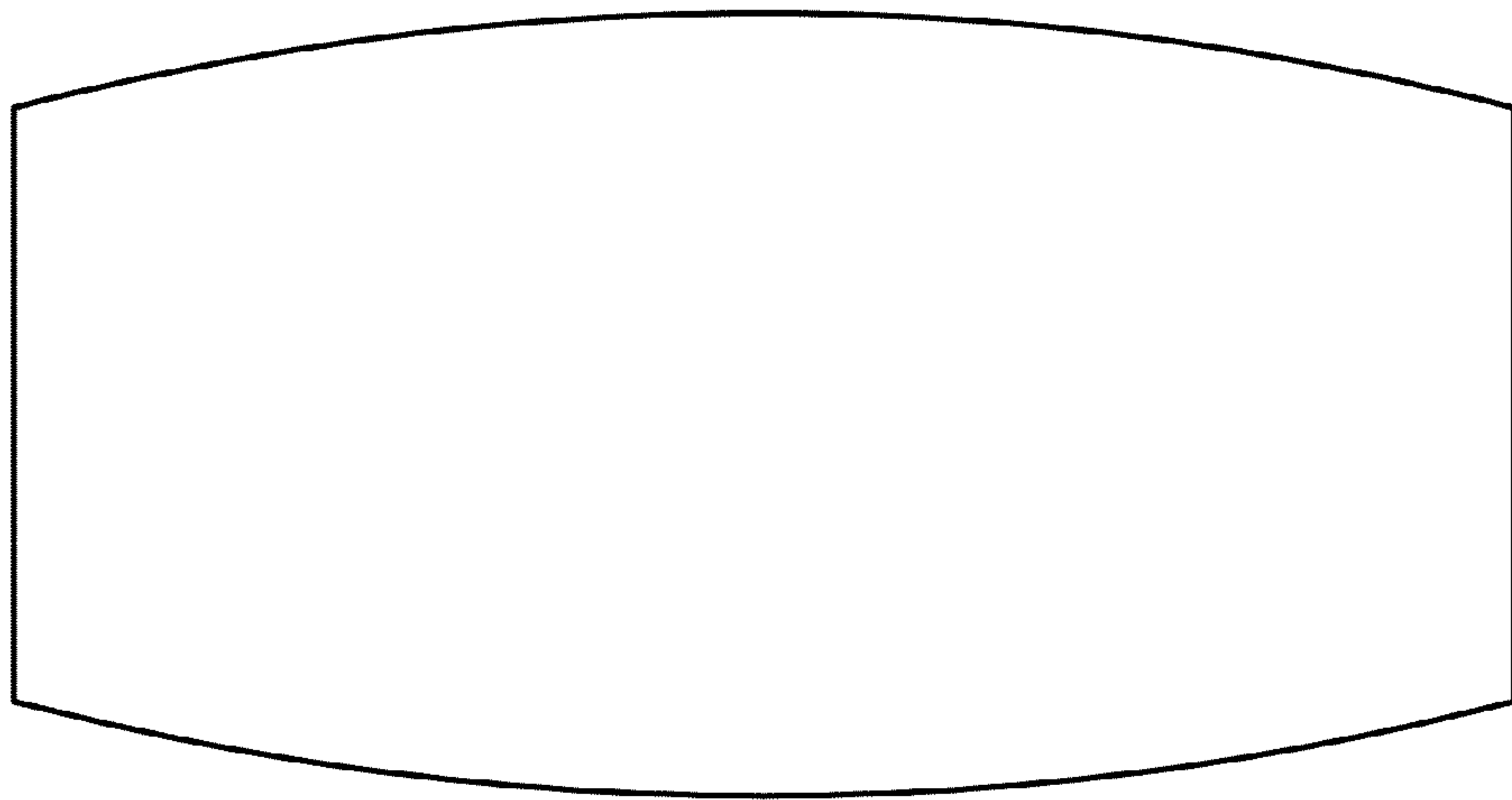


FIG. 3

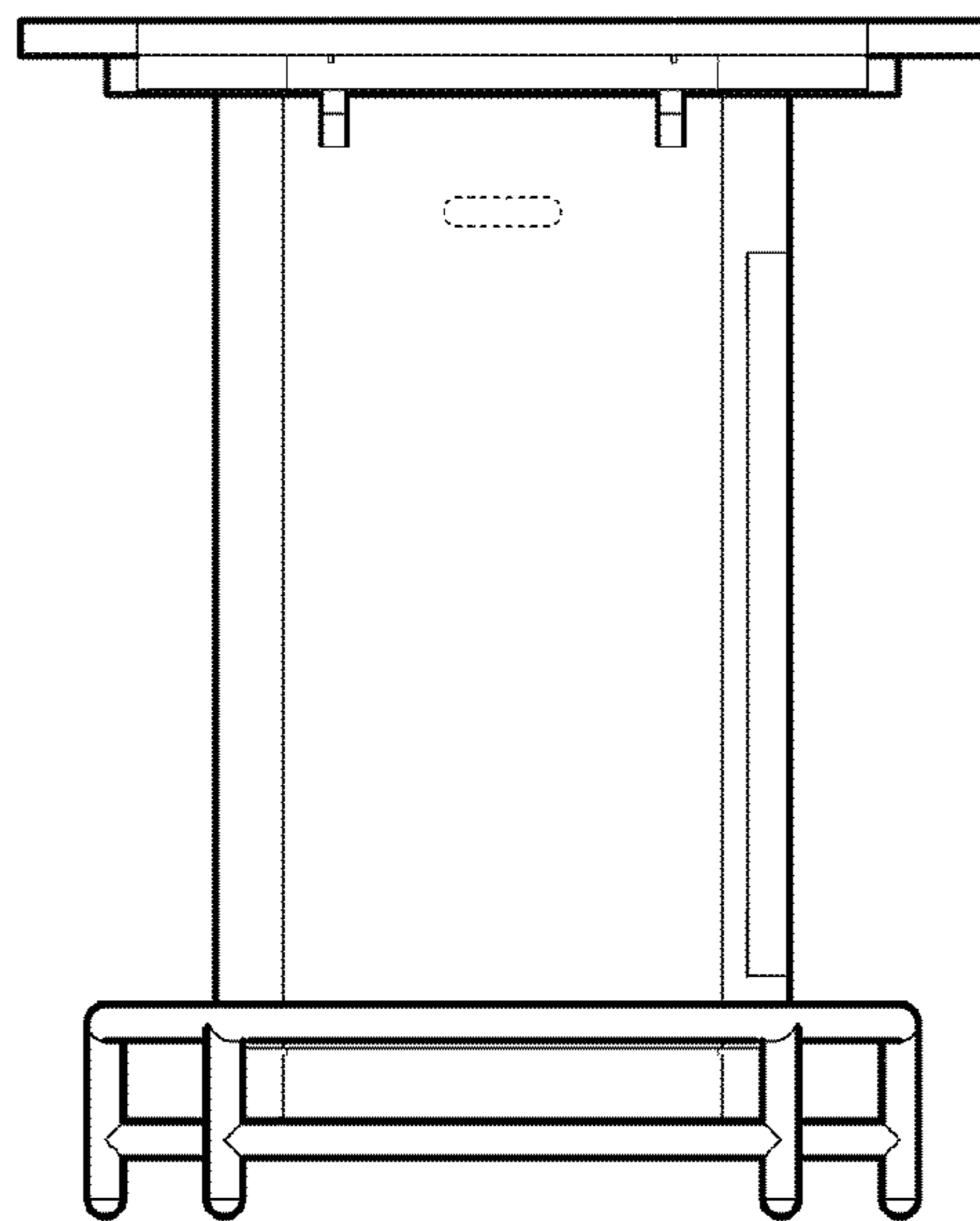


FIG. 4

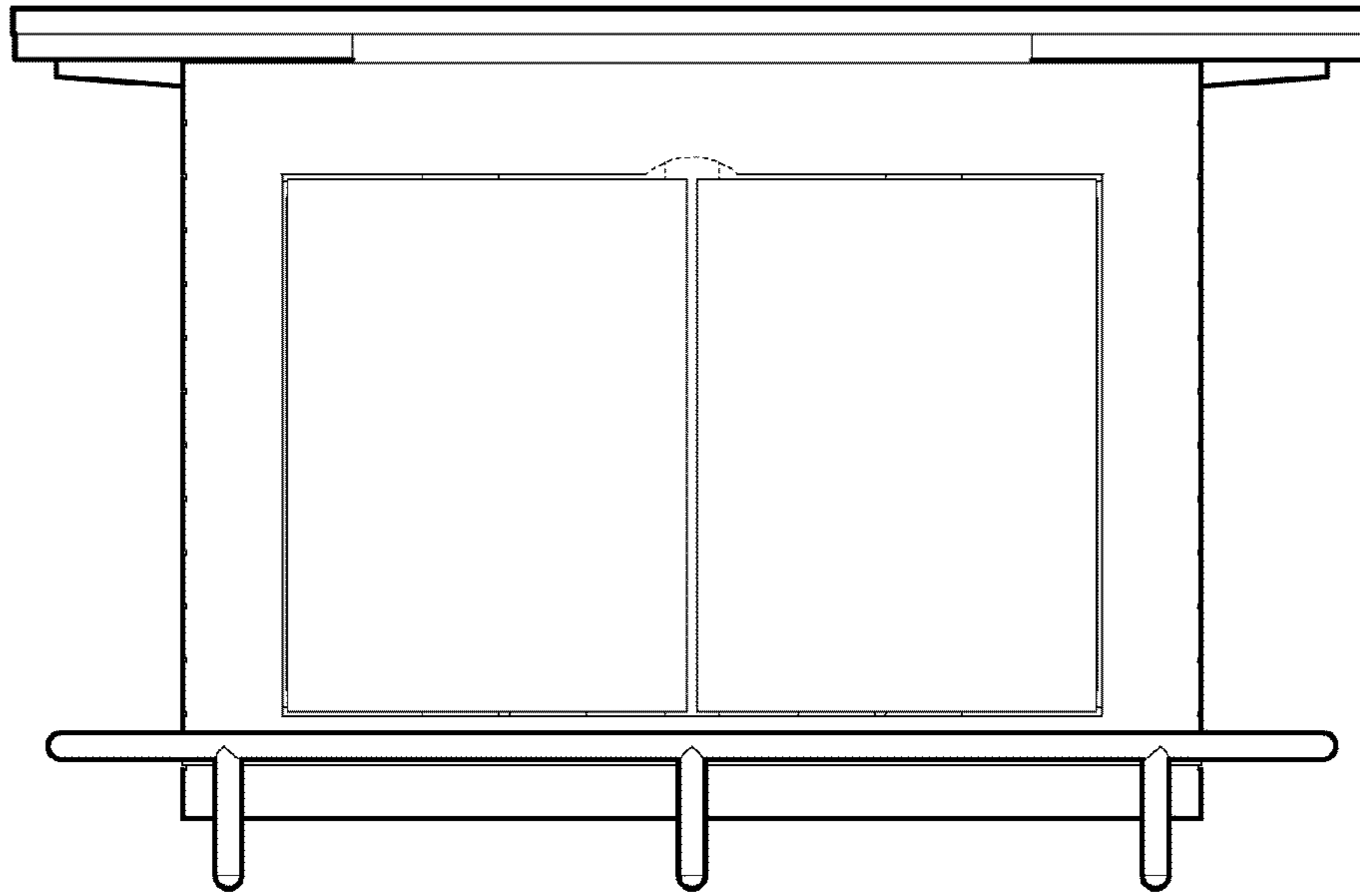


FIG. 5

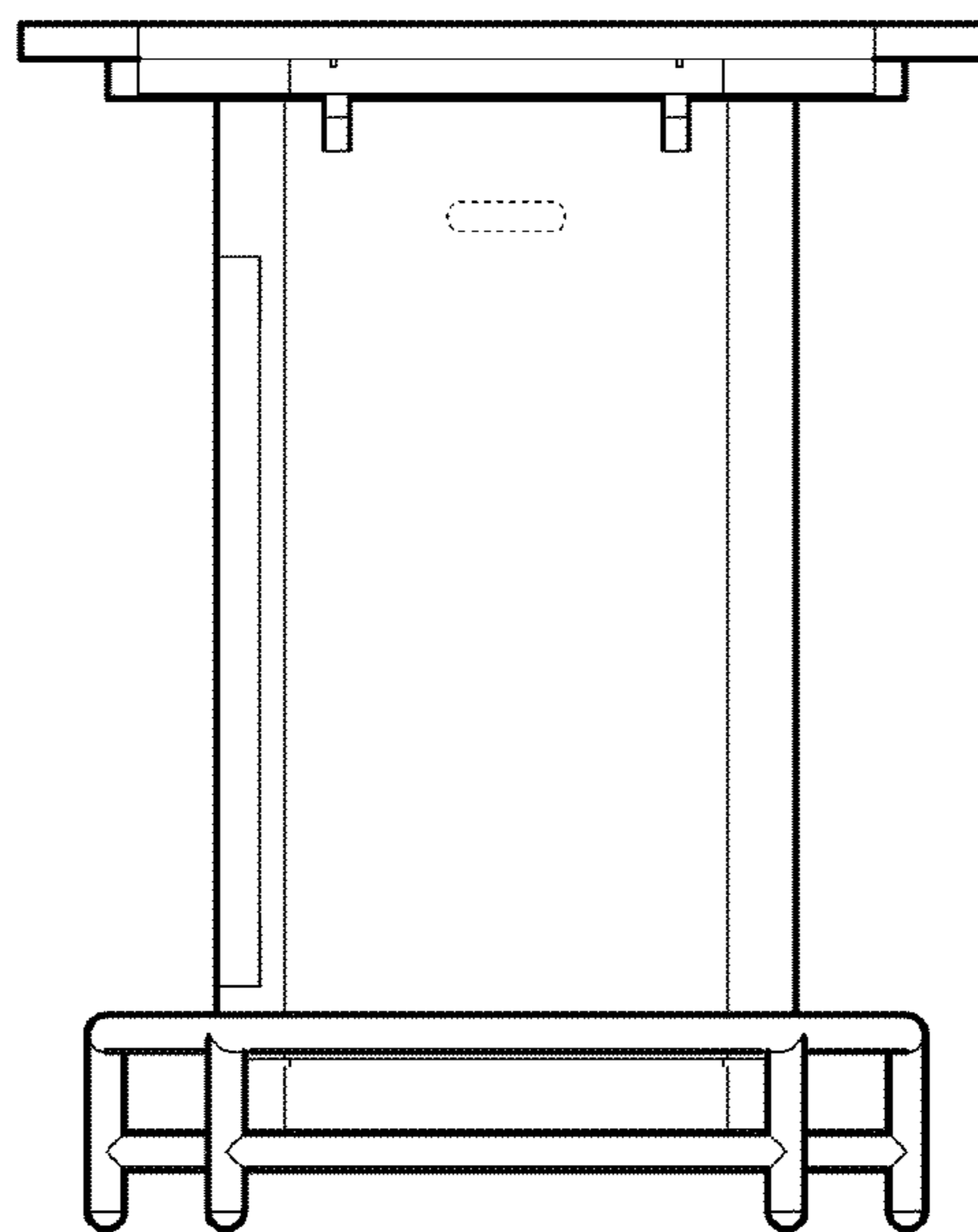


FIG. 6

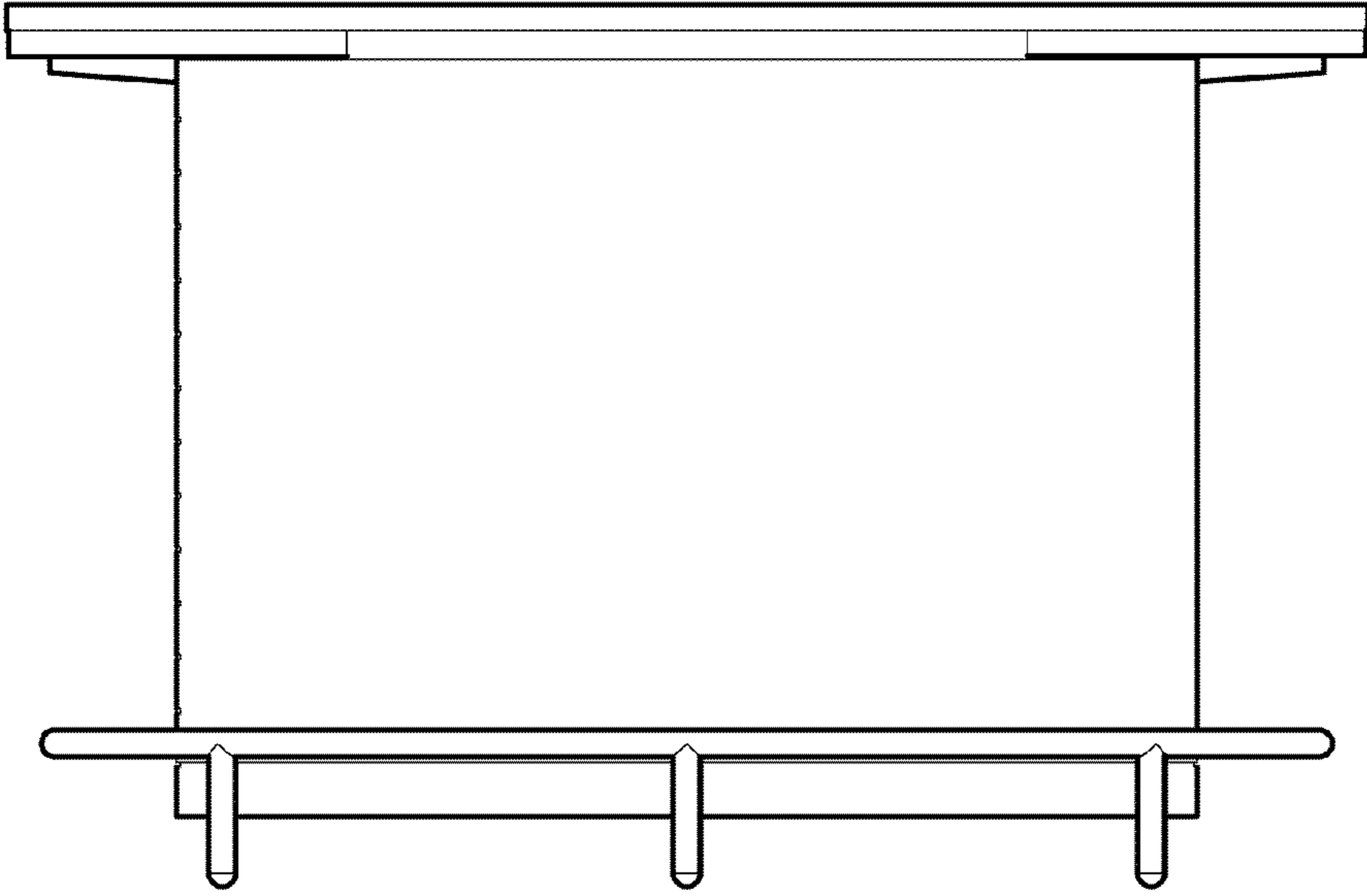


FIG. 7

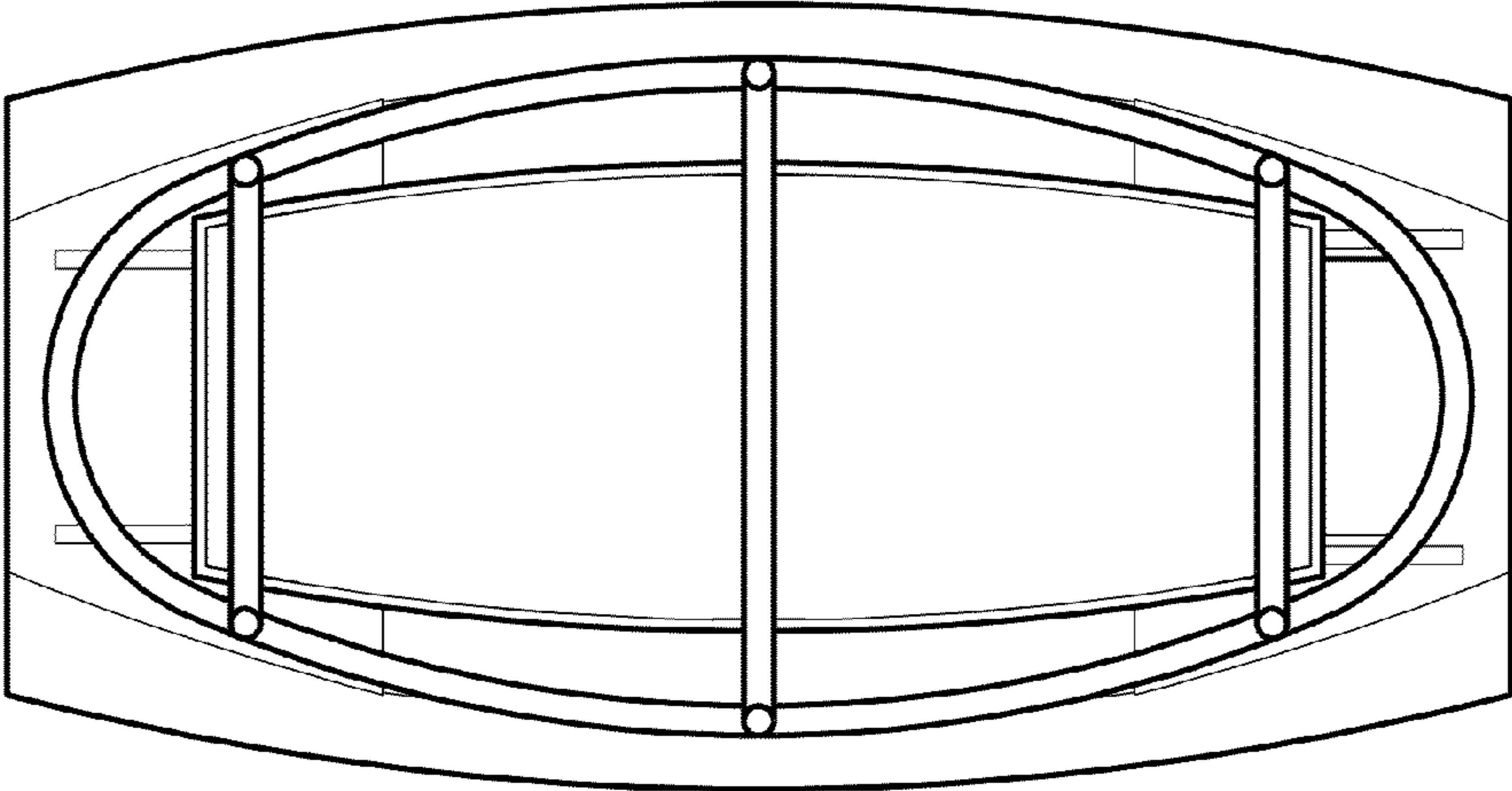


FIG. 8

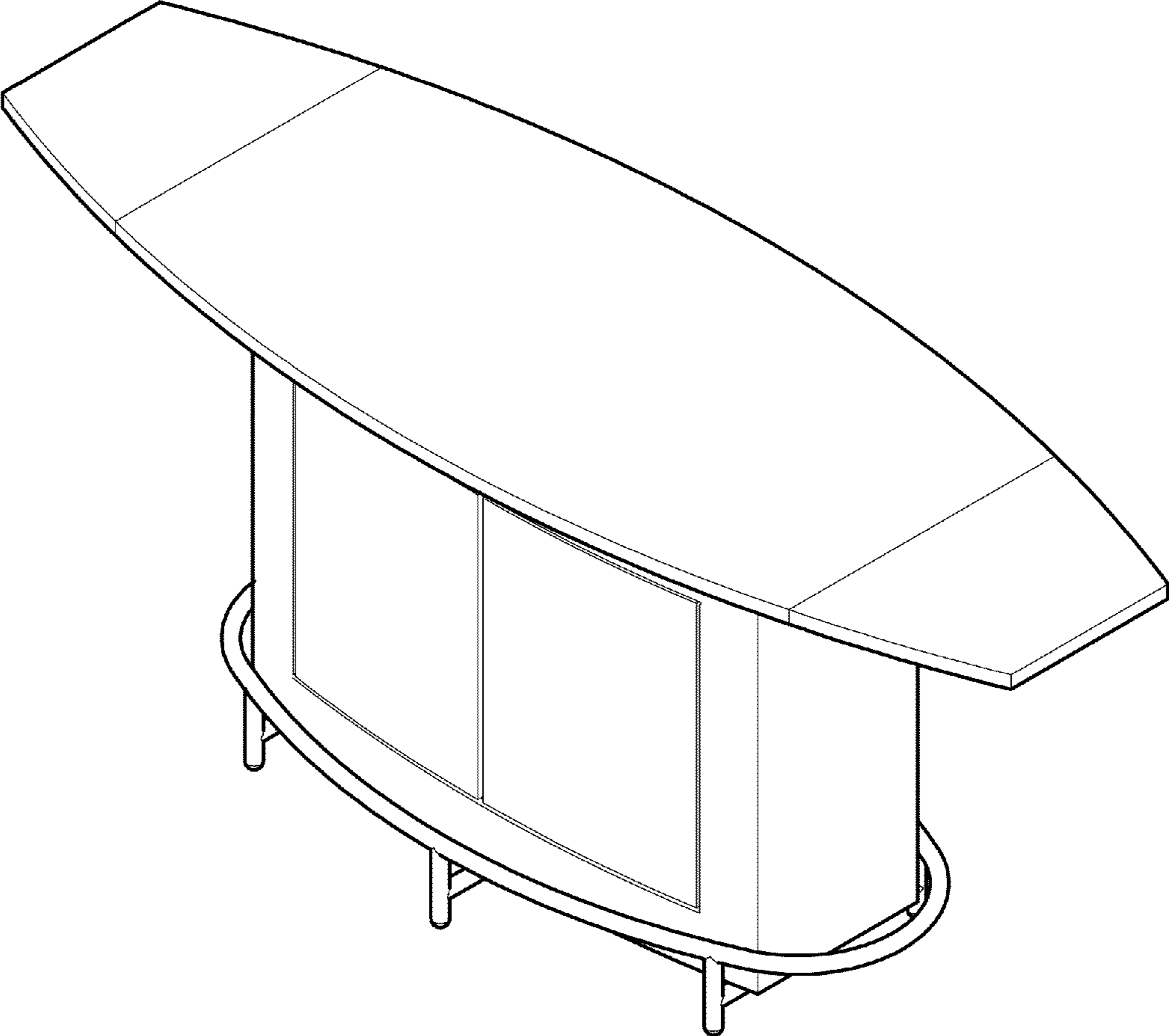


FIG. 9

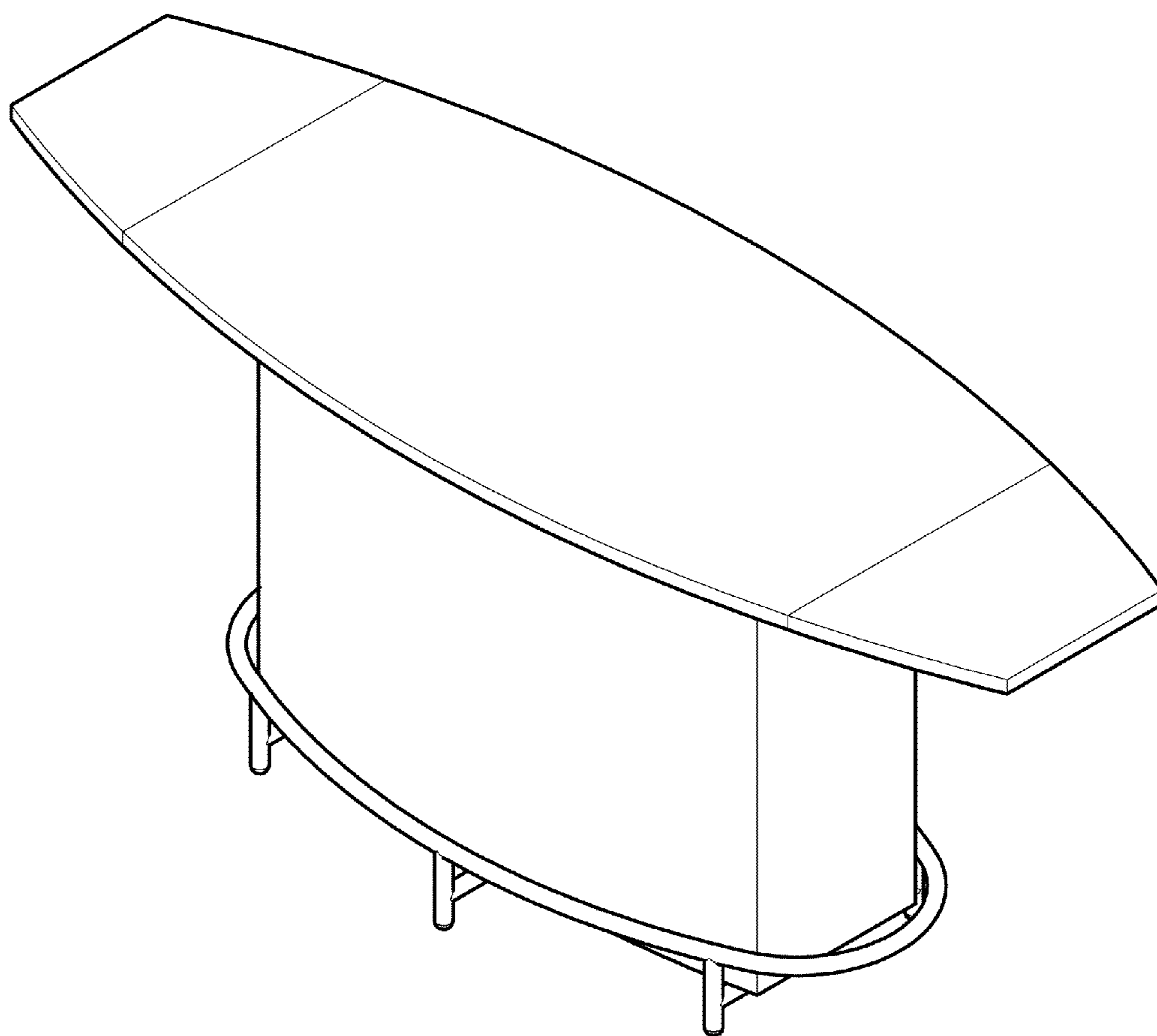


FIG. 10

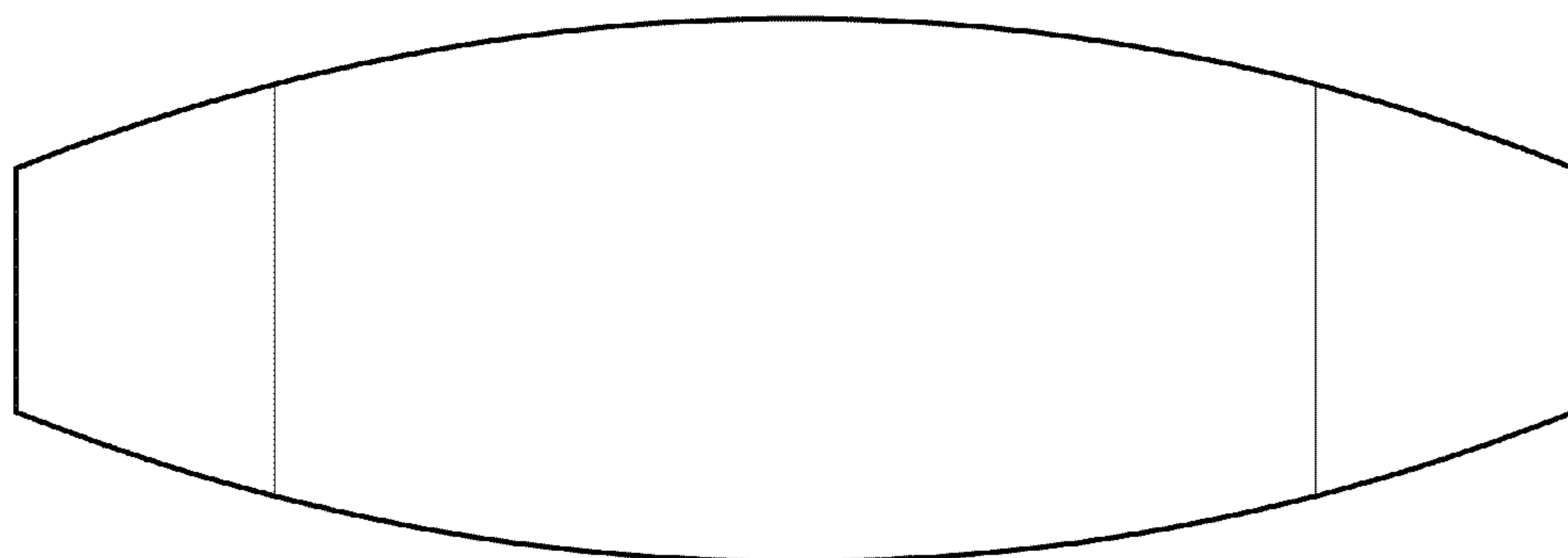


FIG. 11

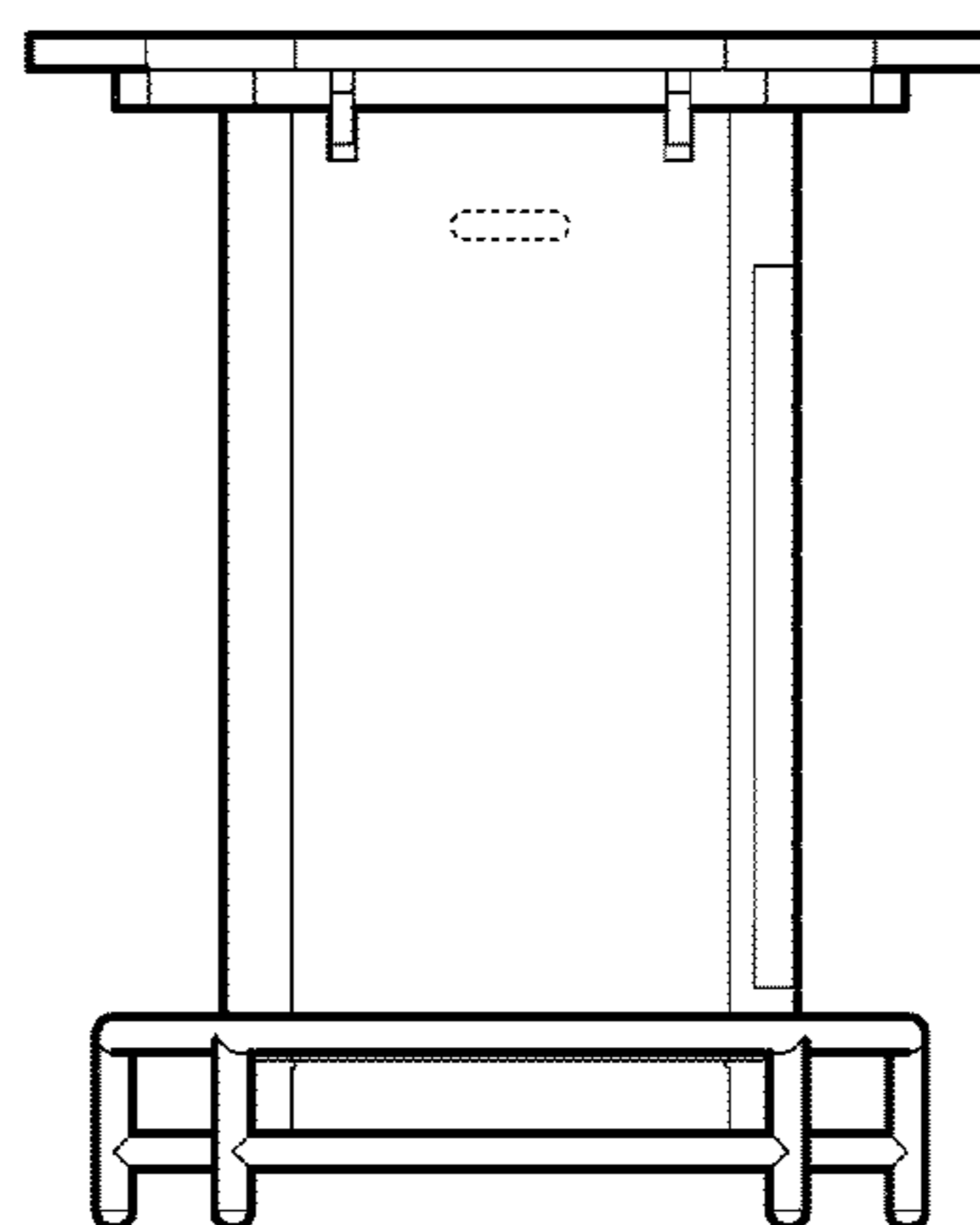


FIG. 12

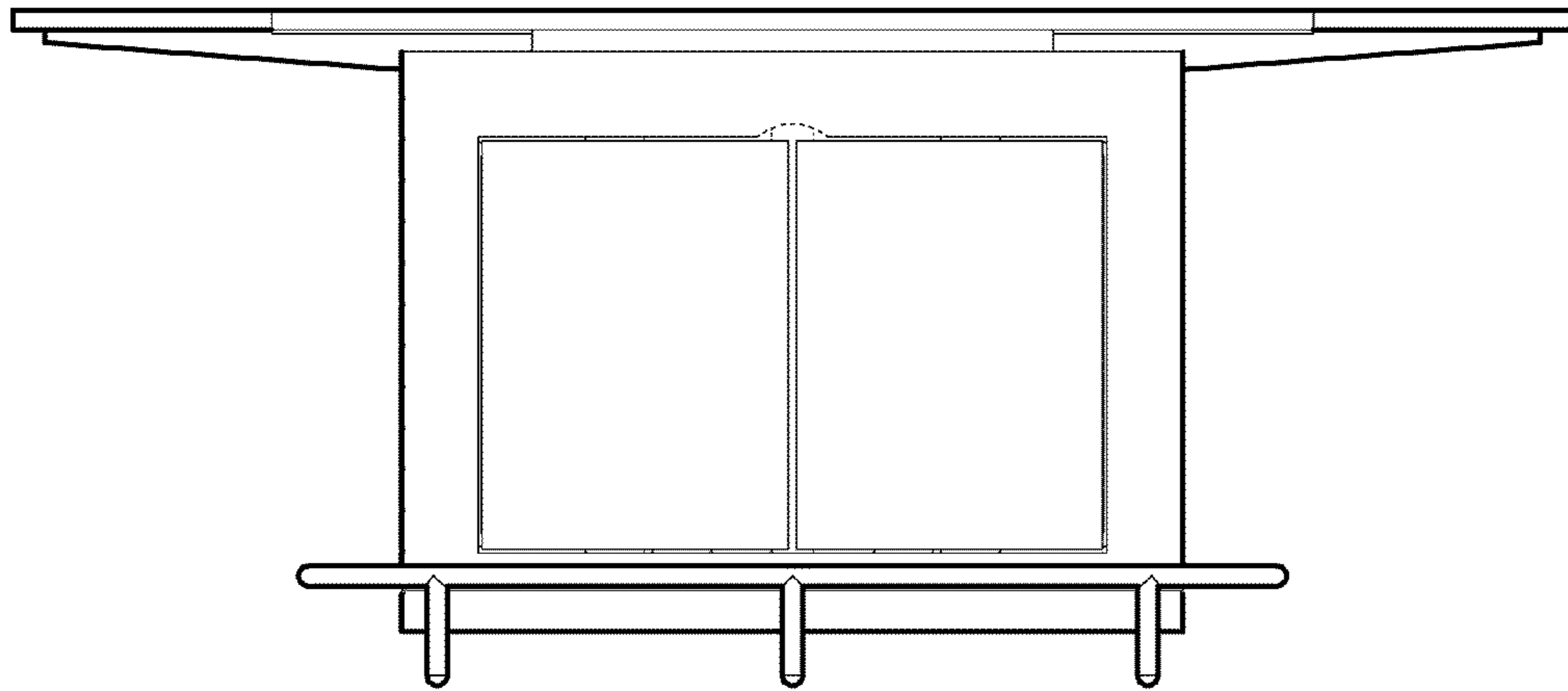


FIG. 13

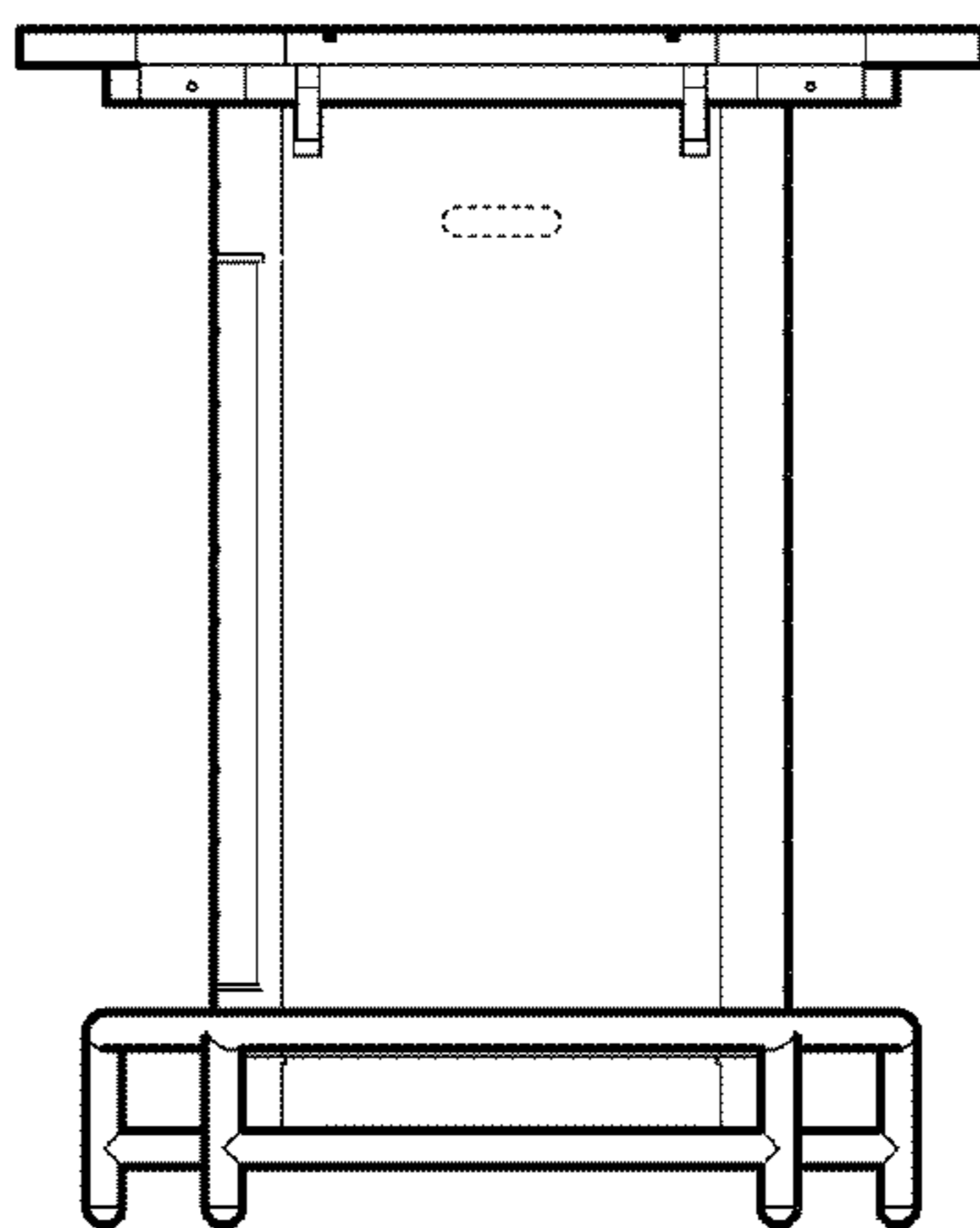


FIG. 14

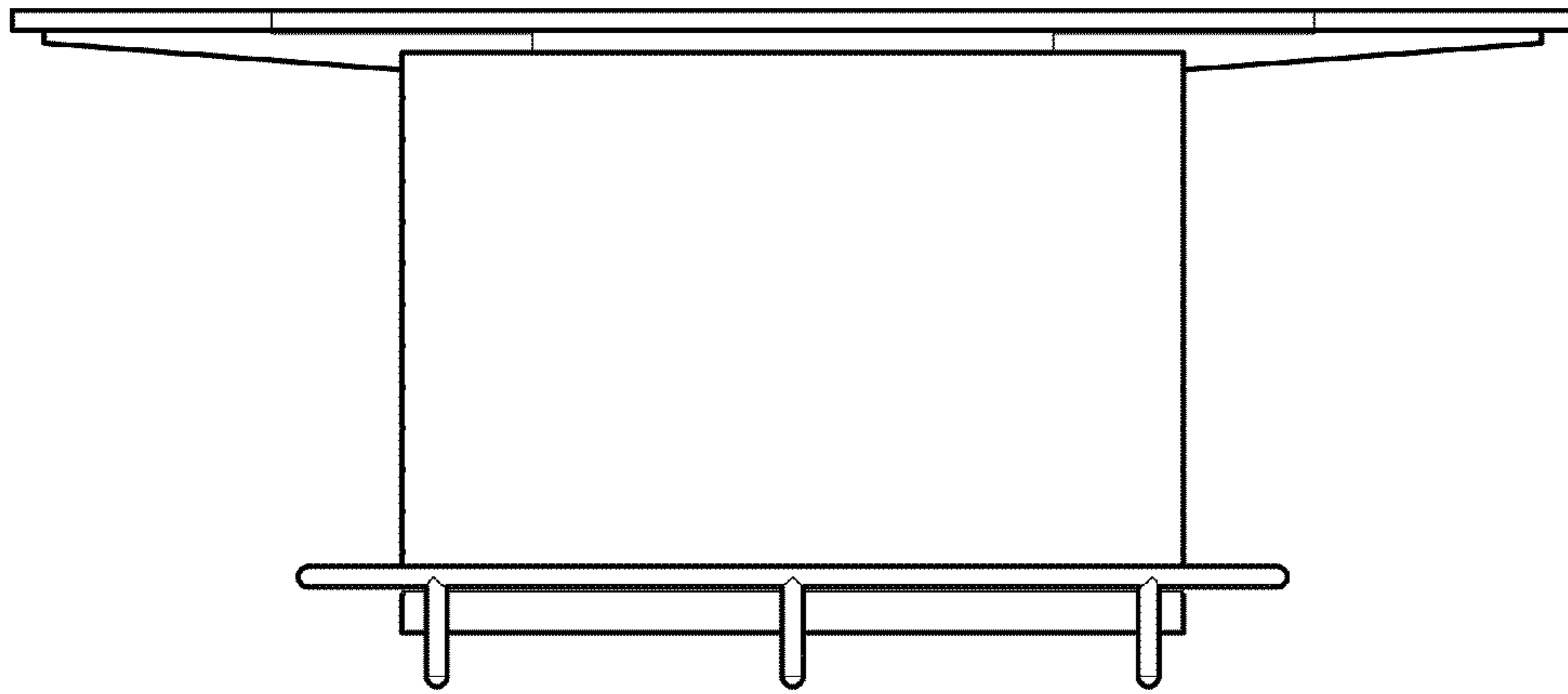


FIG. 15

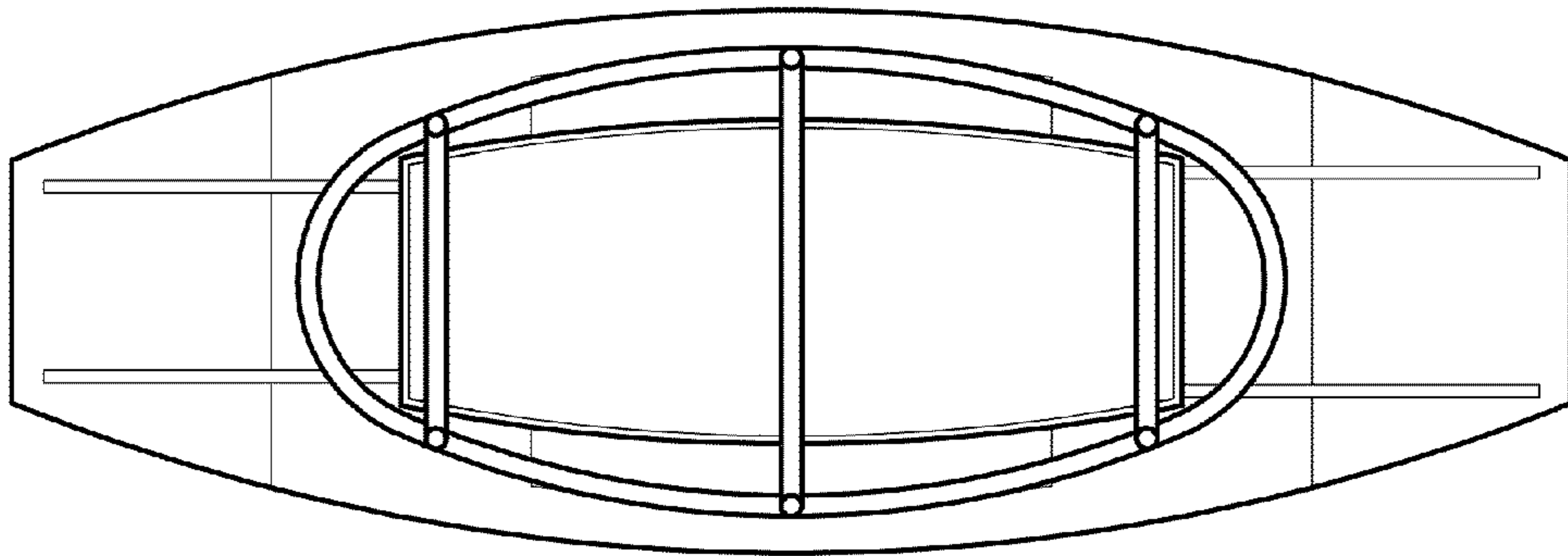


FIG. 16