



US00D733470S

(12) **United States Design Patent**
Troyner et al.

(10) **Patent No.:** **US D733,470 S**

(45) **Date of Patent:** **** Jul. 7, 2015**

(54) **TOOL CHEST**

(71) Applicant: **Edsal Manufacturing Co., Inc.**,
Chicago, IL (US)

(72) Inventors: **Anthony J. Troyner**, Shorewood, IL
(US); **David J. Wojtowicz**, Orland Park,
IL (US); **Scott Fitzgerald**, Lowell, IN
(US)

(73) Assignee: **Edsal Manufacturing Company, Inc.**,
Chicago, IL (US)

(**) Term: **14 Years**

(21) Appl. No.: **29/468,668**

(22) Filed: **Oct. 2, 2013**

(51) **LOC (10) Cl.** **06-06**

(52) **U.S. Cl.**
USPC **D6/671.1**

(58) **Field of Classification Search**
USPC D3/279, 283–284, 286, 297, 318–319,
D3/905; D6/662, 663, 664.1, 668, 668.1,
D6/668.2, 669, 671, 671.1, 671.2, 671.3,
D6/671.4, 705, 705.5; D8/300; D34/19,
D34/20, 21; 70/78; 206/372; 312/107, 117,
312/138.1, 204, 218, 226–227, 237, 249.1,
312/249.4, 249.8, 249.11, 249.12, 278–282,
312/308, 311, 330.1, 332.1, 348.4, 351.3;
362/154; 451/361
CPC A47B 43/00; A47B 49/00; A47B 49/002;
A47B 67/00; A47B 67/04; A47B 87/02;
A47B 88/04; A47B 88/0411; A47B 88/20;
A47B 2210/00; A47B 2210/004; A47B
2210/0078; A47B 2210/0008; A47F 3/00;
B25B 1/22; B62B 3/00; B25H 1/04; B25H
3/00; B25H 3/003; B25H 3/04; B25H 3/006;
B25H 3/02; B25H 3/021; B25H 3/028;
E05B 65/462; E05B 65/468; F21V 33/0084
See application file for complete search history.

(56) **References Cited**

U.S. PATENT DOCUMENTS

| | | | | | | |
|-----------|----|---|---------|----------------|-------|-----------|
| D205,522 | S | * | 8/1966 | Doman | | D6/445 |
| D254,883 | S | * | 5/1980 | Jorda-Segui | | D6/445 |
| D273,906 | S | * | 5/1984 | Norlin | | D34/19 |
| D286,714 | S | * | 11/1986 | Verholt | | D6/446 |
| 5,257,860 | A | * | 11/1993 | Slivon | | 312/218 |
| 5,497,878 | A | * | 3/1996 | Sandonato | | 206/372 |
| 5,857,757 | A | * | 1/1999 | Bieker et al. | | 312/351.3 |
| D423,817 | S | * | 5/2000 | Holcomb et al. | | D6/445 |
| D423,818 | S | * | 5/2000 | Holcomb et al. | | D6/445 |
| D427,807 | S | * | 7/2000 | Holcomb et al. | | D6/445 |
| D430,426 | S | * | 9/2000 | Bieker et al. | | D6/445 |
| 6,374,649 | B1 | * | 4/2002 | Holcomb et al. | | 70/78 |
| D509,939 | S | * | 9/2005 | Hay et al. | | D34/20 |

(Continued)

FOREIGN PATENT DOCUMENTS

| | | |
|----|---------|--------|
| TW | 536173 | 6/2003 |
| TW | D127441 | 2/2009 |
| TW | D134058 | 4/2010 |

Primary Examiner — Ricky Pham

(74) *Attorney, Agent, or Firm* — Wood, Herron & Evans,
LLP

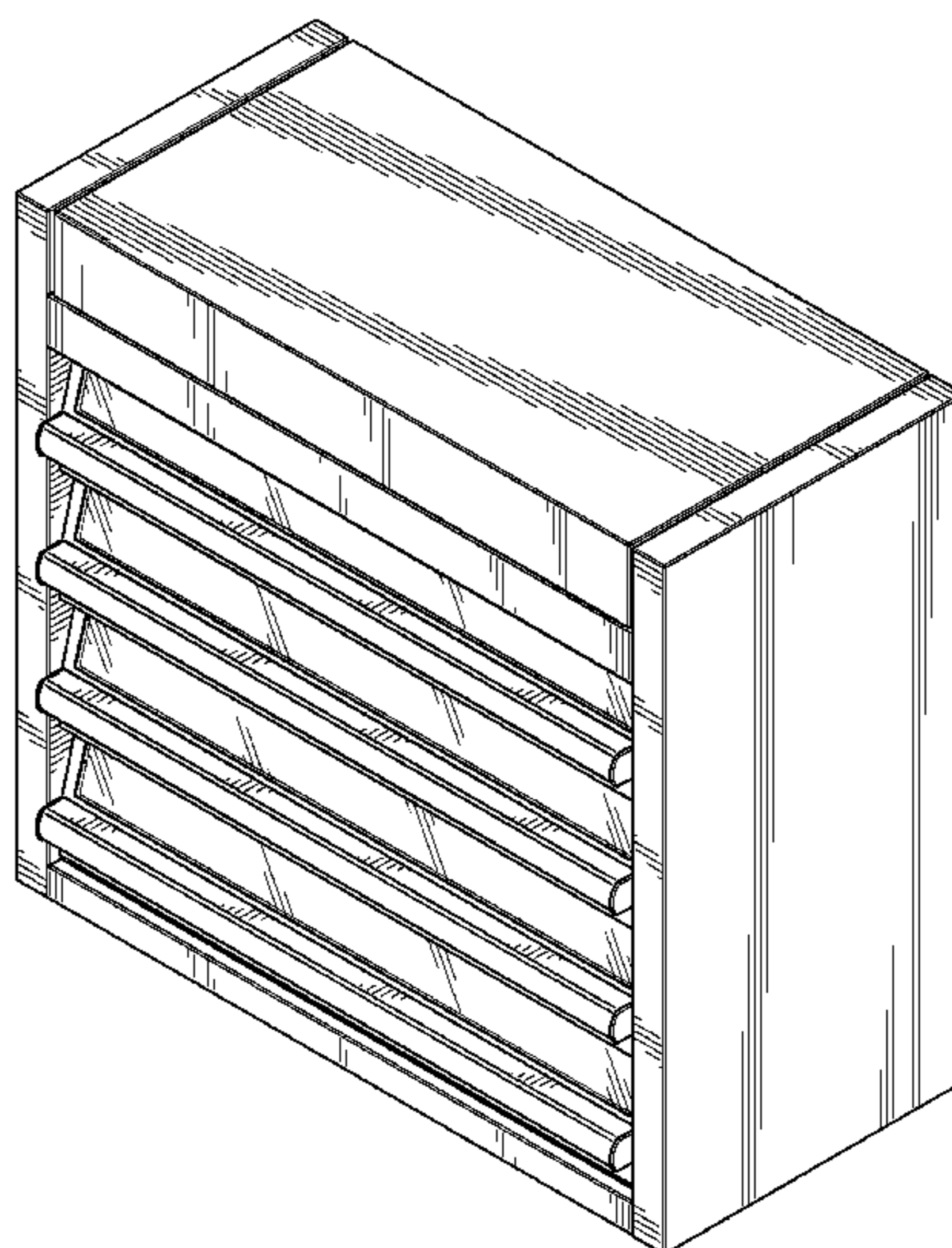
(57) **CLAIM**

The ornamental design for a tool chest, as shown and described.

DESCRIPTION

FIG. 1 is a front isometric view of our new, original and ornamental design;
FIG. 2 is a front view thereof;
FIG. 3 is a right side view, the left side view being a mirror image thereof;
FIG. 4 is a top side view thereof; and,
FIG. 5 is a bottom side view thereof.
The unshown portion of the tool chest forms no part of the claimed design.

1 Claim, 4 Drawing Sheets



(56)

References Cited

U.S. PATENT DOCUMENTS

| | | | | | | | |
|----------------|---------|----------|-----------|-------------------|---------|----------------|---------|
| 7,048,347 B1 * | 5/2006 | Liu | 312/332.1 | D587,013 S * | 2/2009 | Hand | D3/318 |
| D554,370 S * | 11/2007 | Hand | D3/297 | D587,047 S * | 2/2009 | Kalkwarf | D6/510 |
| 7,338,354 B2 * | 3/2008 | Liu | 451/361 | D589,718 S * | 4/2009 | Hand | D6/400 |
| D574,629 S * | 8/2008 | Kalkwarf | D6/445 | D589,731 S * | 4/2009 | Kohagen et al. | D6/510 |
| D586,597 S * | 2/2009 | Hand | D6/510 | D608,109 S * | 1/2010 | Hand | D6/445 |
| | | | | 2007/0063624 A1 * | 3/2007 | Liao | 312/282 |
| | | | | 2007/0228903 A1 * | 10/2007 | Liu | 312/280 |
| | | | | 2008/0180944 A1 * | 7/2008 | Galvez et al. | 362/154 |

* cited by examiner

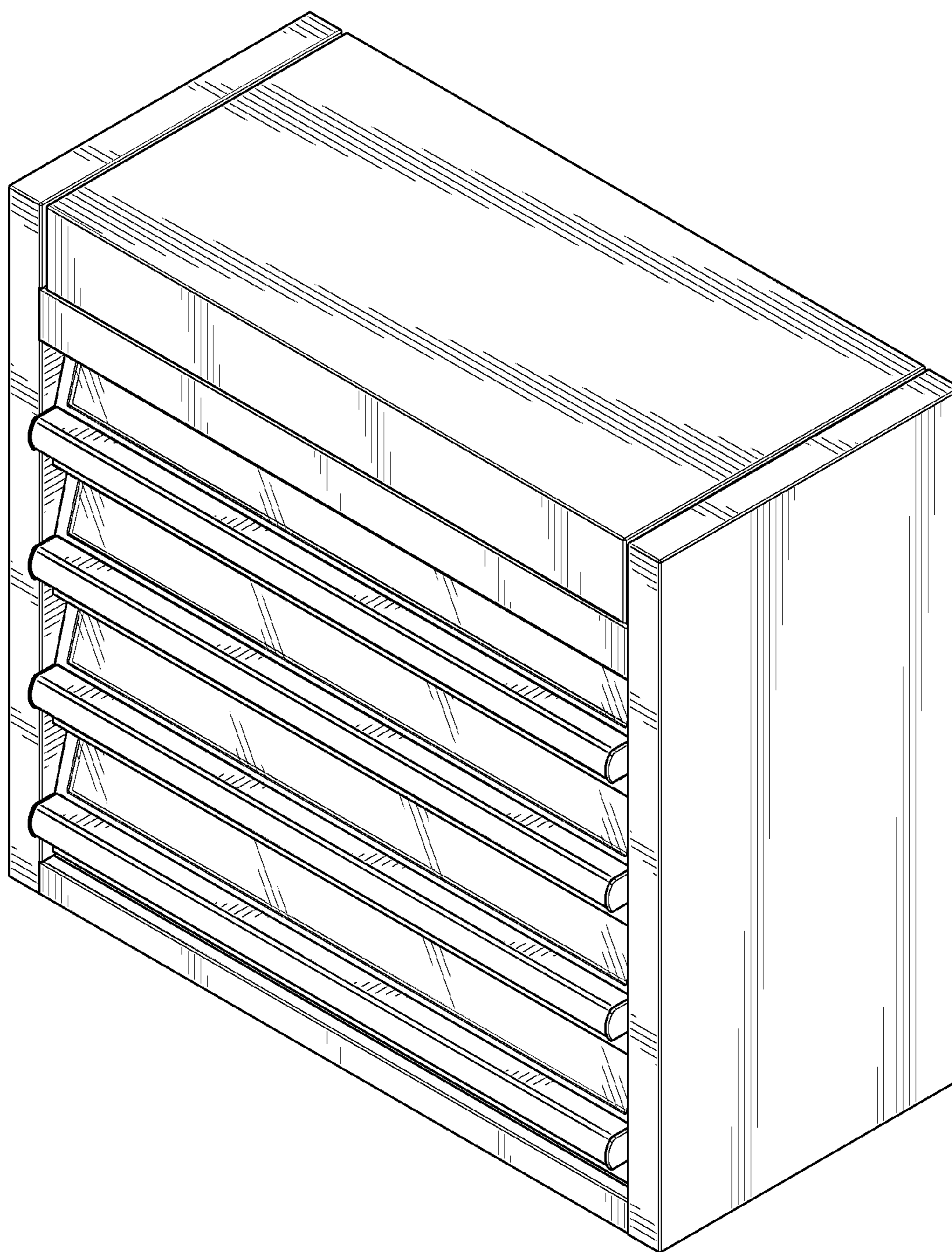


FIG. 1

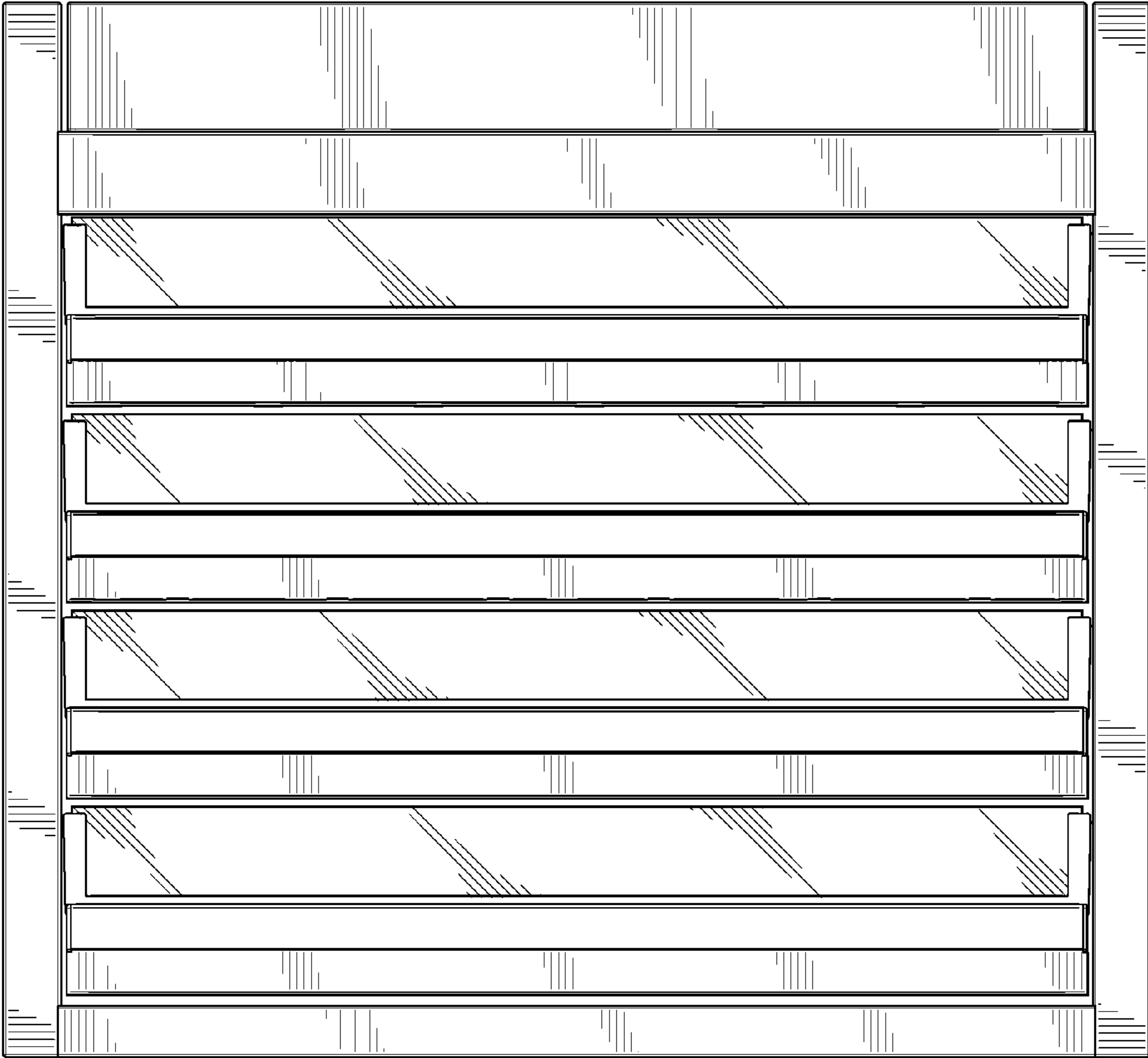


FIG. 2

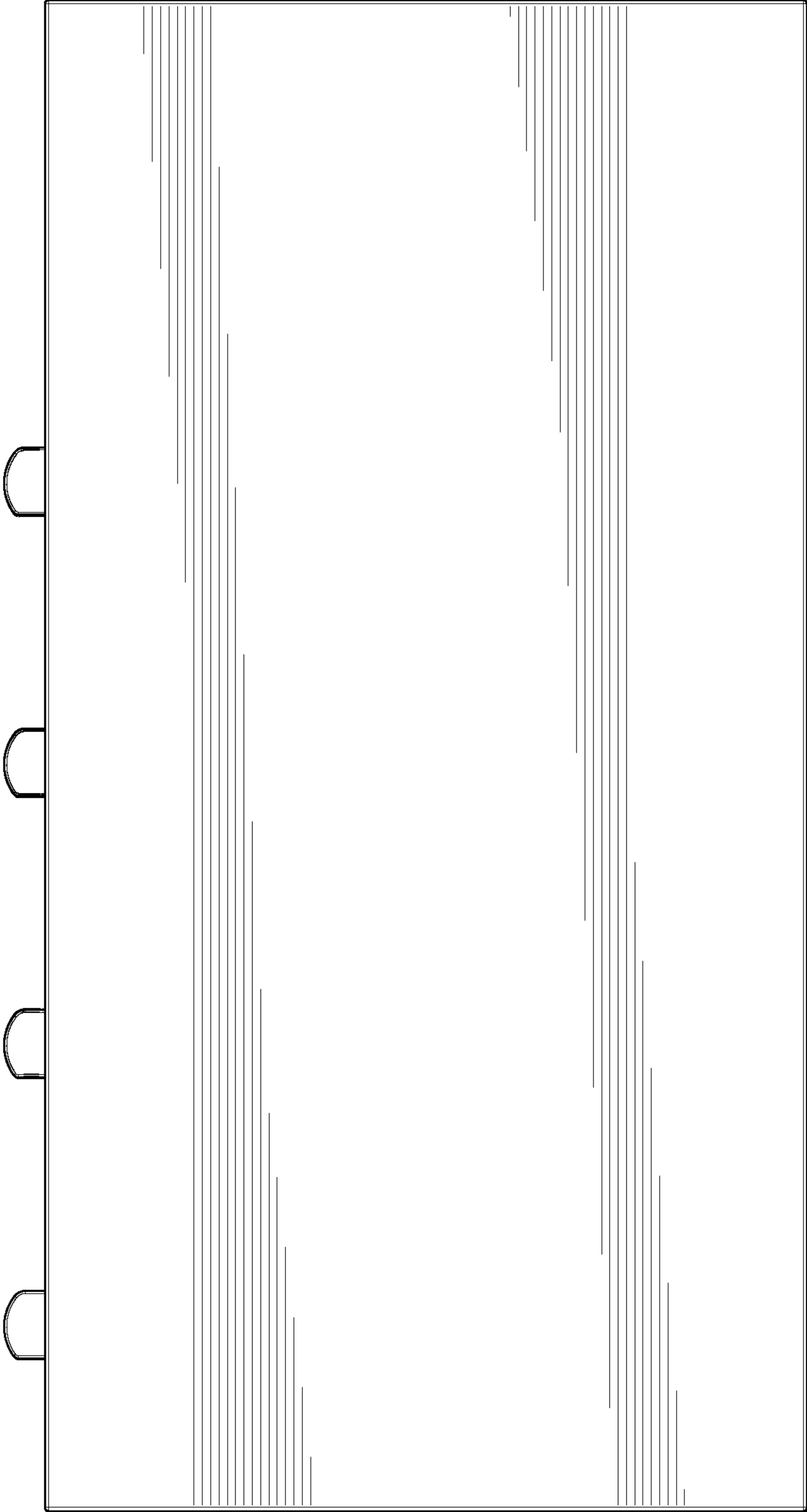


FIG. 3

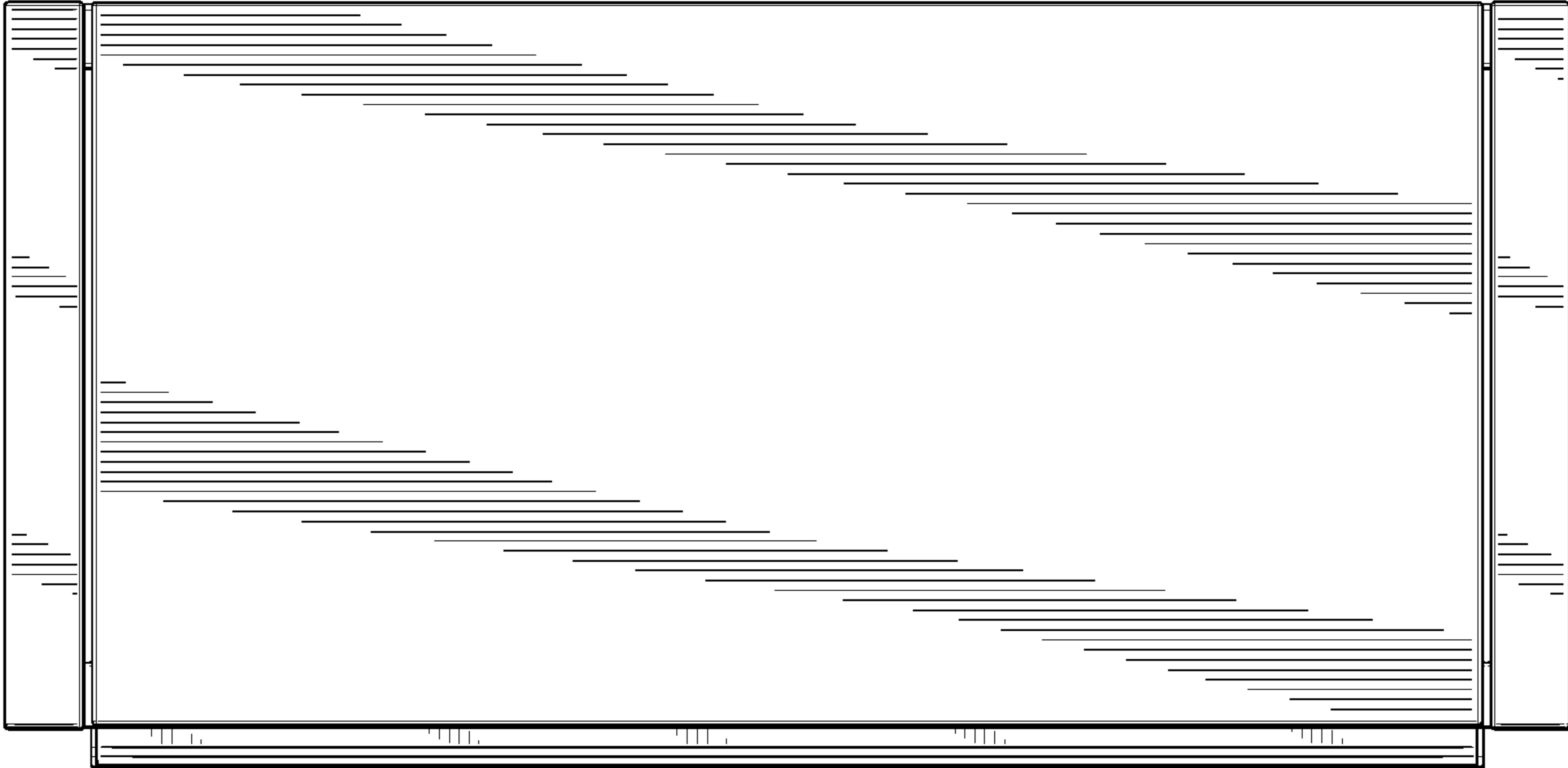


FIG. 4

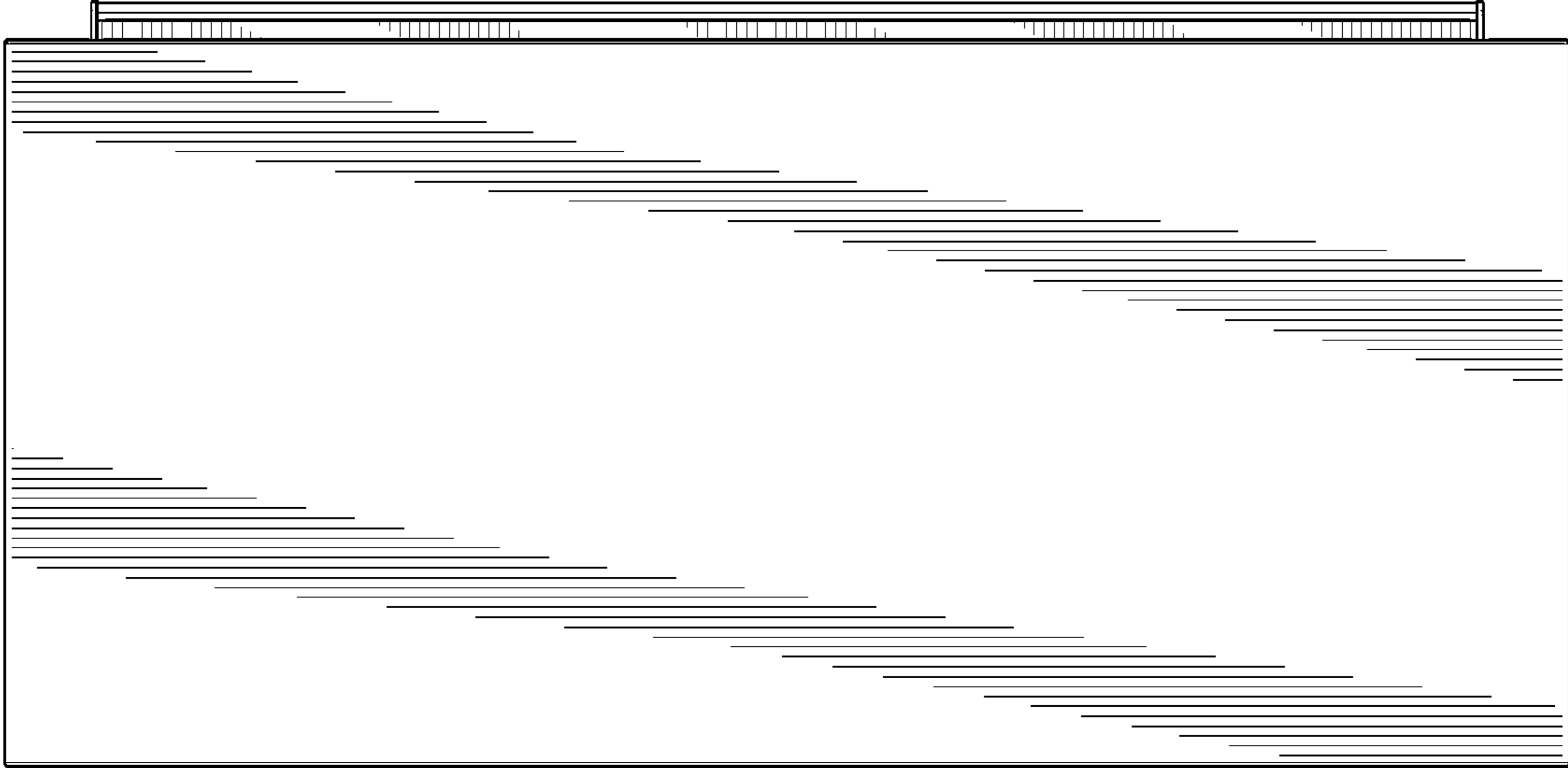


FIG. 5