



US00D733467S

(12) **United States Design Patent**
Rodriguez

(10) **Patent No.:** **US D733,467 S**
(45) **Date of Patent:** **** Jul. 7, 2015**

- (54) **TROPHY DISPLAY CASE**
- (71) Applicant: **Leroy J. Rodriguez**, Centennial, CO (US)
- (72) Inventor: **Leroy J. Rodriguez**, Centennial, CO (US)
- (**) Term: **14 Years**
- (21) Appl. No.: **29/486,218**
- (22) Filed: **Mar. 27, 2014**
- (51) **LOC (10) Cl.** **06-04**
- (52) **U.S. Cl.**
USPC **D6/661**
- (58) **Field of Classification Search**
USPC D11/108, 109, 131, 132, 157, 164, 165, D11/166, 172, 178, 180, 184; D6/232-233, D6/300, 303, 470, 553, 559, 657, 661; 40/700, 718, 720, 724, 725, 728, 743, 40/753, 761, 763, 768, 772, 776, 800; 312/234, 234.1, 234.2, 242; 428/13, 14
See application file for complete search history.

- D393,603 S * 4/1998 Cerisano D11/133
- D405,719 S * 2/1999 Marsh D11/132
- D410,591 S * 6/1999 Webb D11/132
- D431,909 S * 10/2000 Henry et al. D6/300
- D437,121 S * 2/2001 Henry et al. D6/302
- D464,591 S * 10/2002 Czaja D11/166
- D496,876 S * 10/2004 Kalas D11/133
- D513,562 S * 1/2006 Boffo D6/300
- D544,252 S * 6/2007 Grandstaff D6/470
- D545,241 S * 6/2007 Poteet D11/132
- D545,242 S * 6/2007 Poteet D11/132
- D595,068 S * 6/2009 Edwards D6/470
- D669,391 S * 10/2012 Cadigan D11/133
- D720,559 S * 1/2015 Pitti D6/661

* cited by examiner

Primary Examiner — Eric Goodman
Assistant Examiner — Steven Czyn

(74) *Attorney, Agent, or Firm* — Patent Law Offices of Rick Martin, P.C.

(57) **CLAIM**
The ornamental design for a trophy display case, as shown and described.

DESCRIPTION

FIG. 1 is a top perspective view of my new design for a trophy display case;
FIG. 2 is a bottom perspective view of my new invention;
FIG. 3 is a left side elevation view of my new invention, wherein a right side elevation view is identical;
FIG. 4 is a front and back elevation view of my new invention;
FIG. 5 is a top plan view of my new invention;
FIG. 6 is a bottom plan view of my new invention; and,
FIG. 7 is a top perspective view of my new invention in an open mode.
The broken line showing is included for the purpose of illustrating environment of the article and forms no part of the claimed design.

1 Claim, 3 Drawing Sheets

- (56) **References Cited**
U.S. PATENT DOCUMENTS
- D244,368 S * 5/1977 Dean D11/140
- D267,686 S * 1/1983 Dawson D6/559
- D292,781 S * 11/1987 Shane D11/132
- D315,323 S * 3/1991 Bailey D11/131
- D340,880 S * 11/1993 Walton D11/132
- D348,233 S * 6/1994 Crowley D11/132
- D365,299 S * 12/1995 Berducat D11/132
- D365,535 S * 12/1995 Muckler D11/132
- D370,568 S * 6/1996 Wynne D6/306
- D374,840 S * 10/1996 Levy et al. D11/132
- D383,999 S * 9/1997 Werley D11/132
- D387,567 S * 12/1997 Queen D6/300
- D391,406 S * 3/1998 Field D6/302

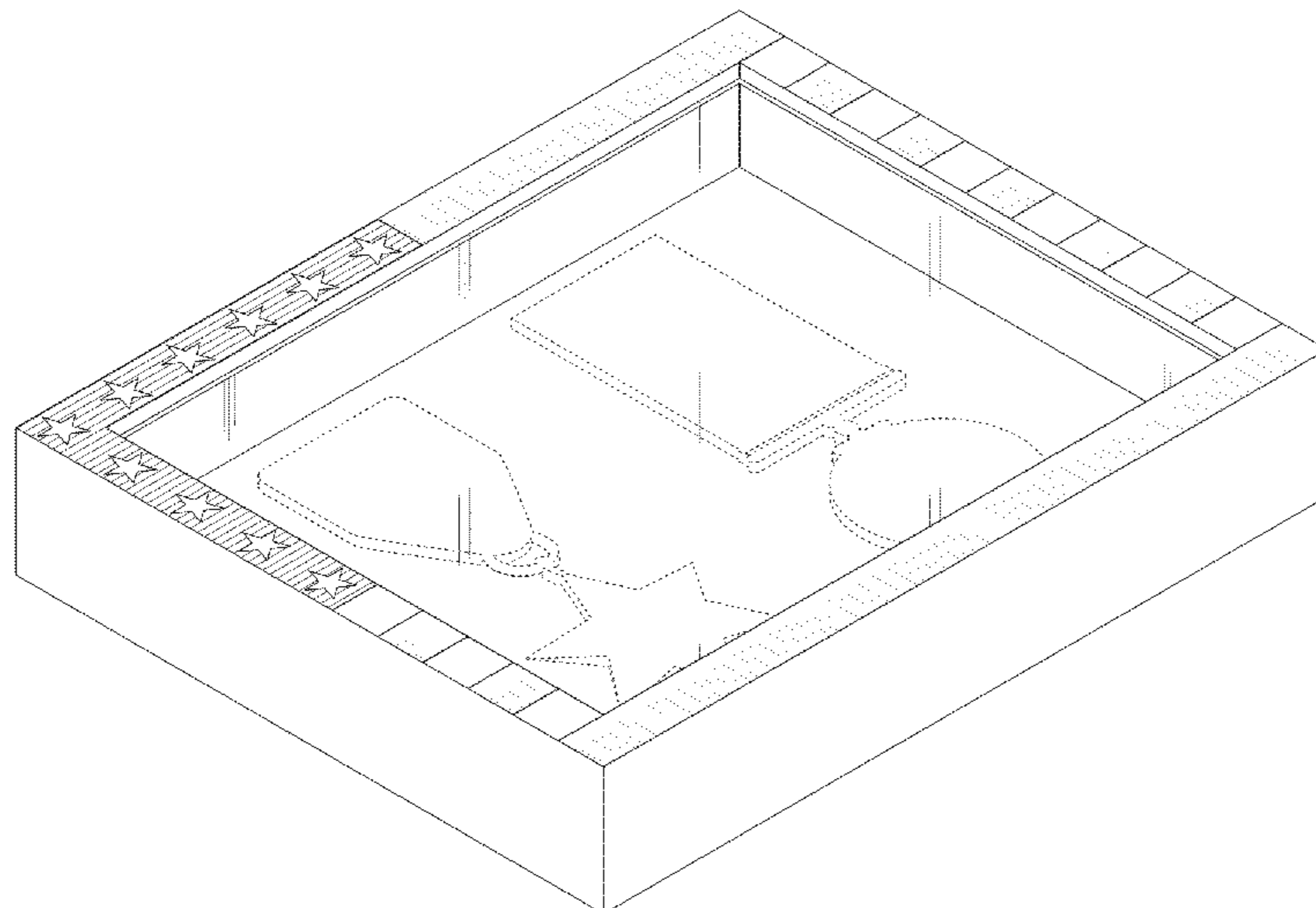


Fig. 1

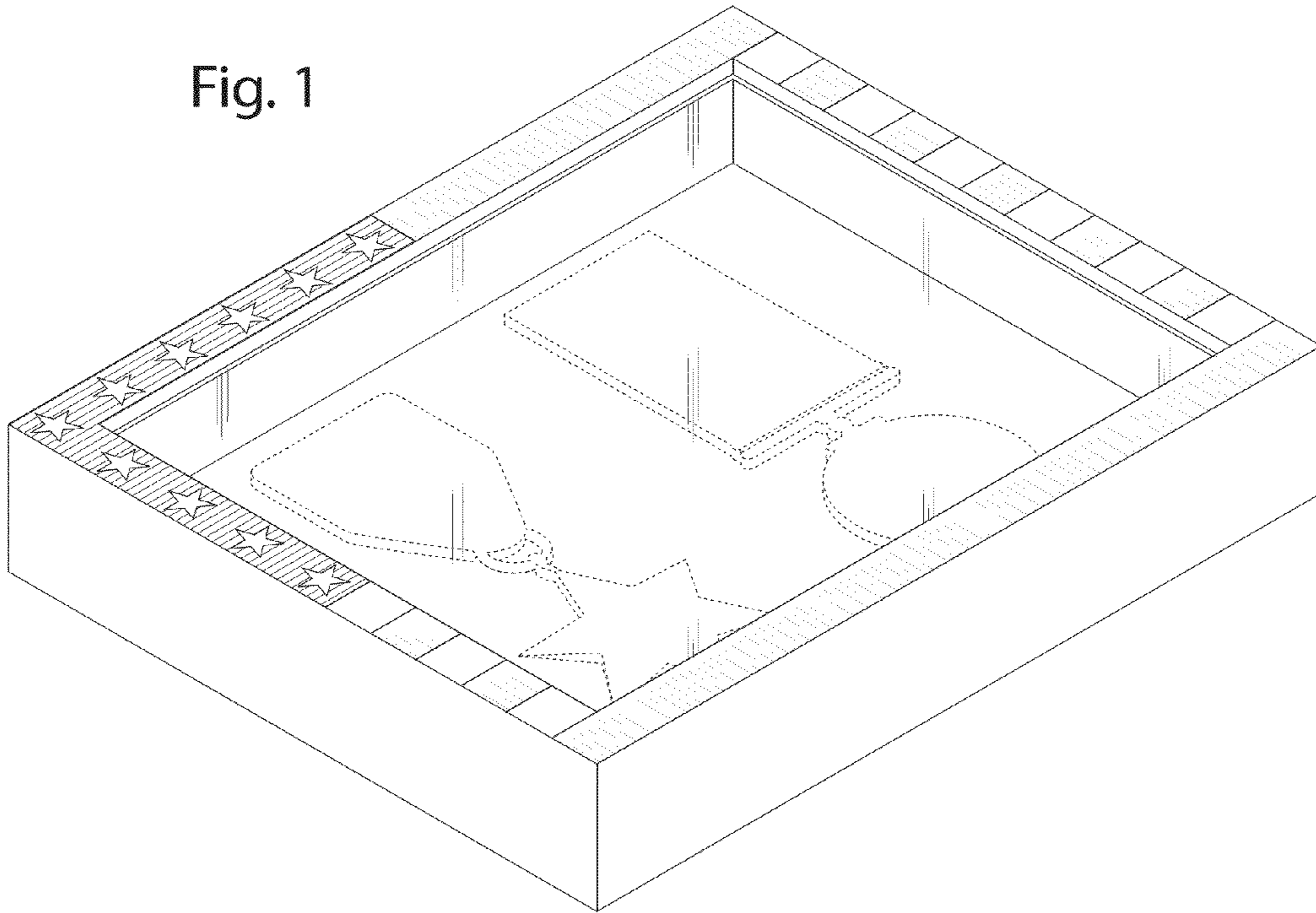


Fig. 2

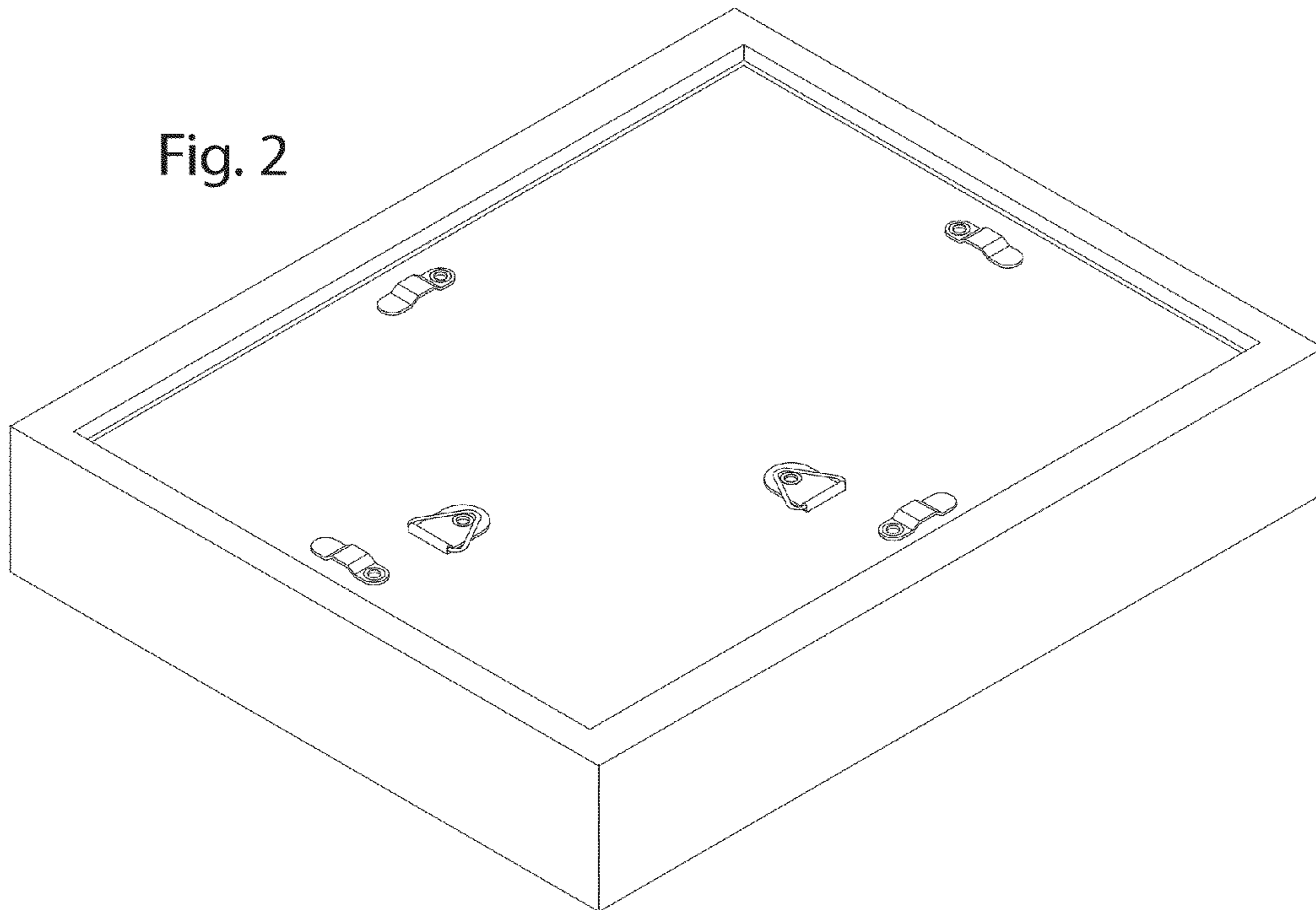


Fig. 3



Fig. 5

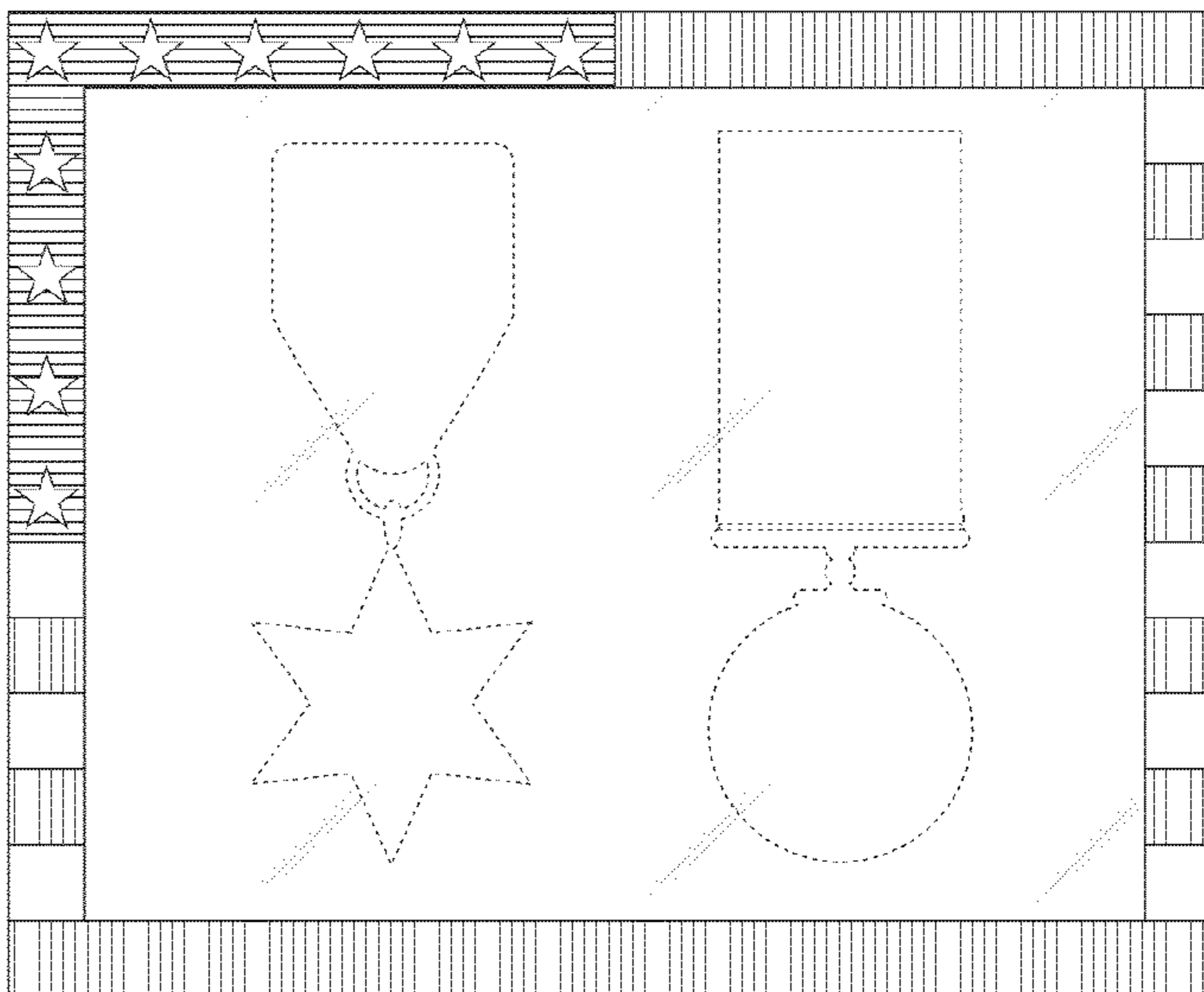


Fig. 4



Fig. 6

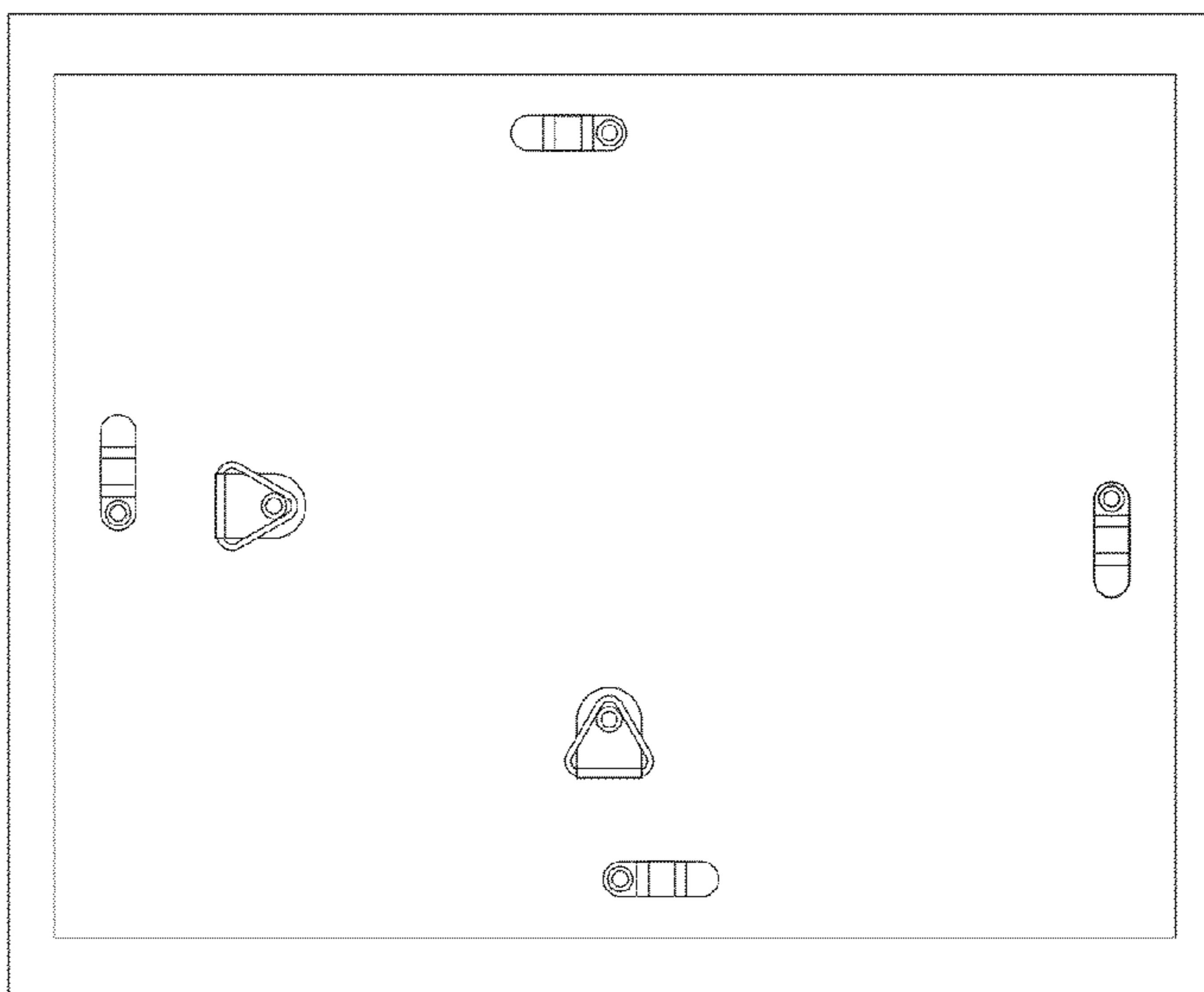


Fig. 7

