



US00D733465S

(12) **United States Design Patent**  
**Parisi et al.**

(10) **Patent No.:** **US D733,465 S**  
(45) **Date of Patent:** **\*\* Jul. 7, 2015**

(54) **TABLE**

- (71) Applicant: **QubicaAMF Worldwide, LLC**,  
Mechanicsville, VA (US)
- (72) Inventors: **Tommaso Parisi**, Bologna (IT); **Gian Luca Ferrari**, Anzola Dell’Emilia (IT)
- (73) Assignee: **QUBICAAMF WORLDWIDE, LLC**,  
Mechanicsville, VA (US)
- (\*\*) Term: **14 Years**
- (21) Appl. No.: **29/470,406**
- (22) Filed: **Oct. 21, 2013**
- (51) **LOC (10) Cl.** ..... **06-06**
- (52) **U.S. Cl.**  
USPC ..... **D6/656**
- (58) **Field of Classification Search**  
USPC ..... D6/641, 656, 656.1, 656.13, 656.15,  
D6/656.16, 656.17, 656.18, 691, 691.4,  
D6/691.5, 691.6, 642, 644  
CPC ..... A47B 2200/0027; A47B 2200/0029;  
A47B 17/00; A47B 17/003; A47B 21/00;  
A47B 21/02; A47B 2097/006  
See application file for complete search history.

(56) **References Cited**

U.S. PATENT DOCUMENTS

D327,789 S \* 7/1992 Caturla et al. .... D6/422  
D371,921 S \* 7/1996 Anzalone et al. .... D6/484

\* cited by examiner

*Primary Examiner* — Janice Seeger

(74) *Attorney, Agent, or Firm* — Andrew M. Calderon;  
Roberts Mlotkowski Safran & Cole, P.C.

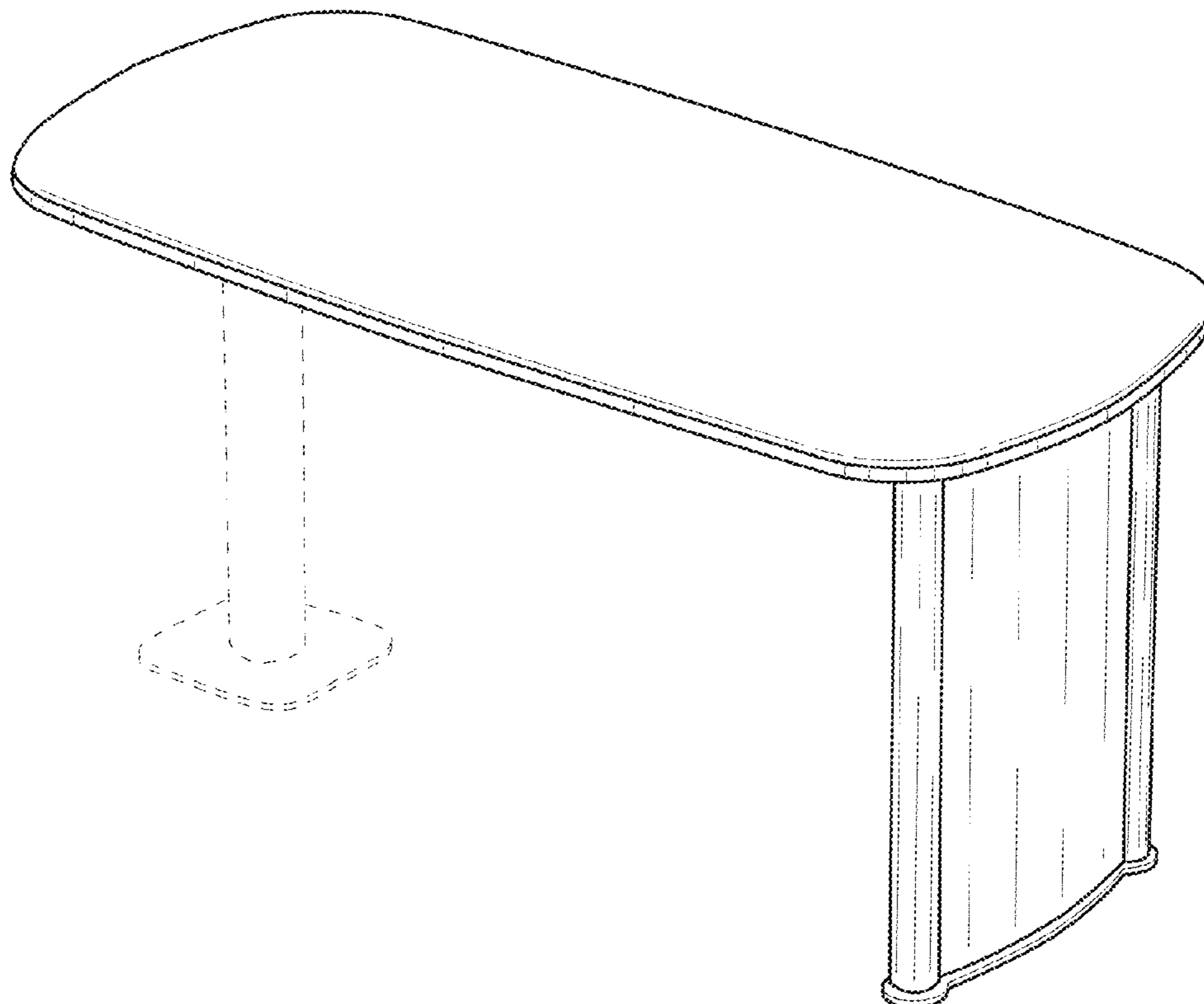
(57) **CLAIM**

We claim the ornamental design for a table, as shown and described.

**DESCRIPTION**

FIG. 1 is front view of a table;  
FIG. 2 is rear view of the table;  
FIG. 3 is a side view of the table;  
FIG. 4 is a top view of the table;  
FIG. 5 is a bottom view of the table; and,  
FIG. 6 is a perspective view of the table.  
Applicant notes that the side view of the table as shown in FIG. 3 is representative of both a right side view and left side view of the table. Any subject matter shown in dashed lines, and any surfaces of the design not shown, including interior surfaces, form no part of the claimed invention.

**1 Claim, 6 Drawing Sheets**



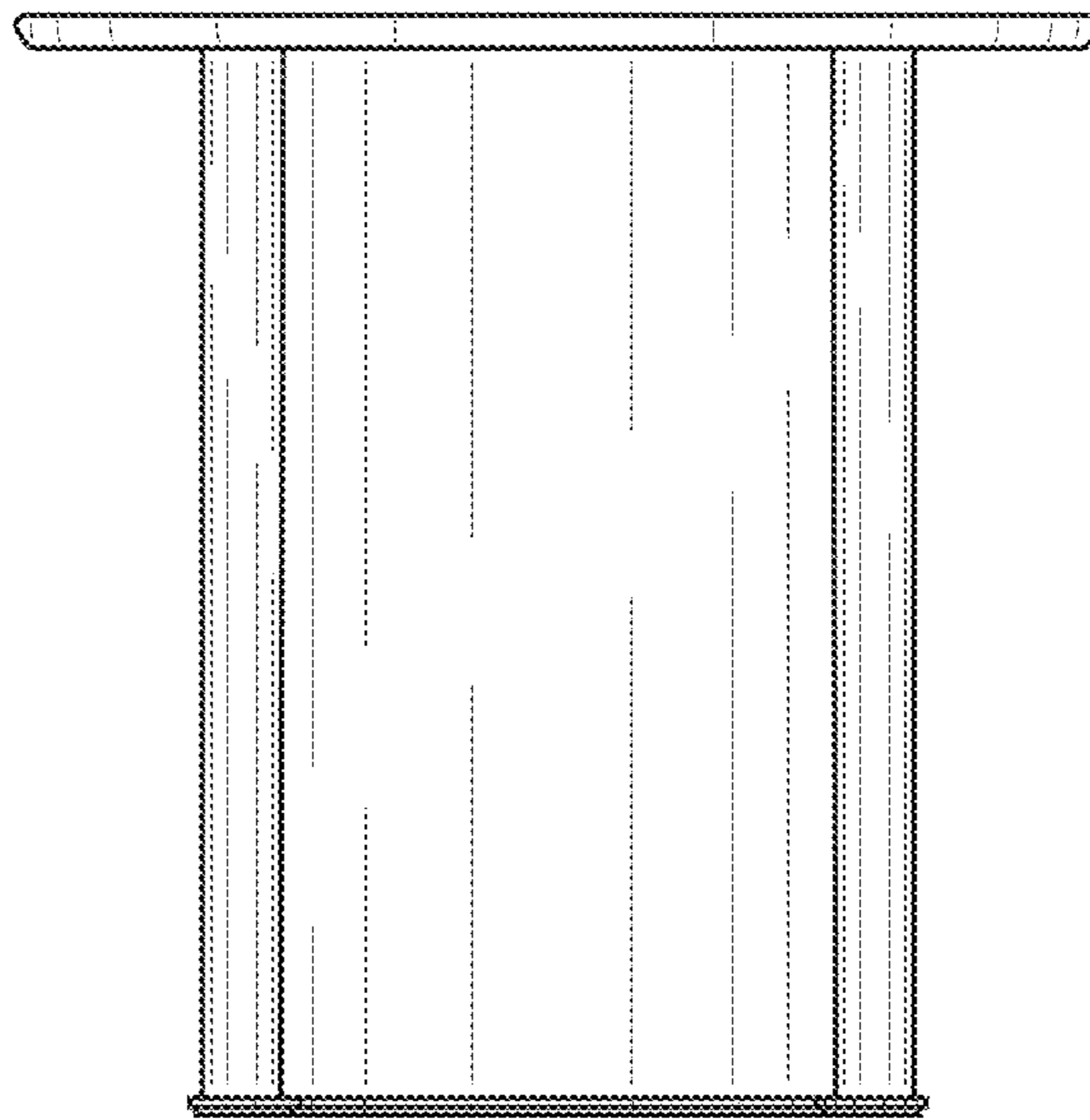


FIG. 1

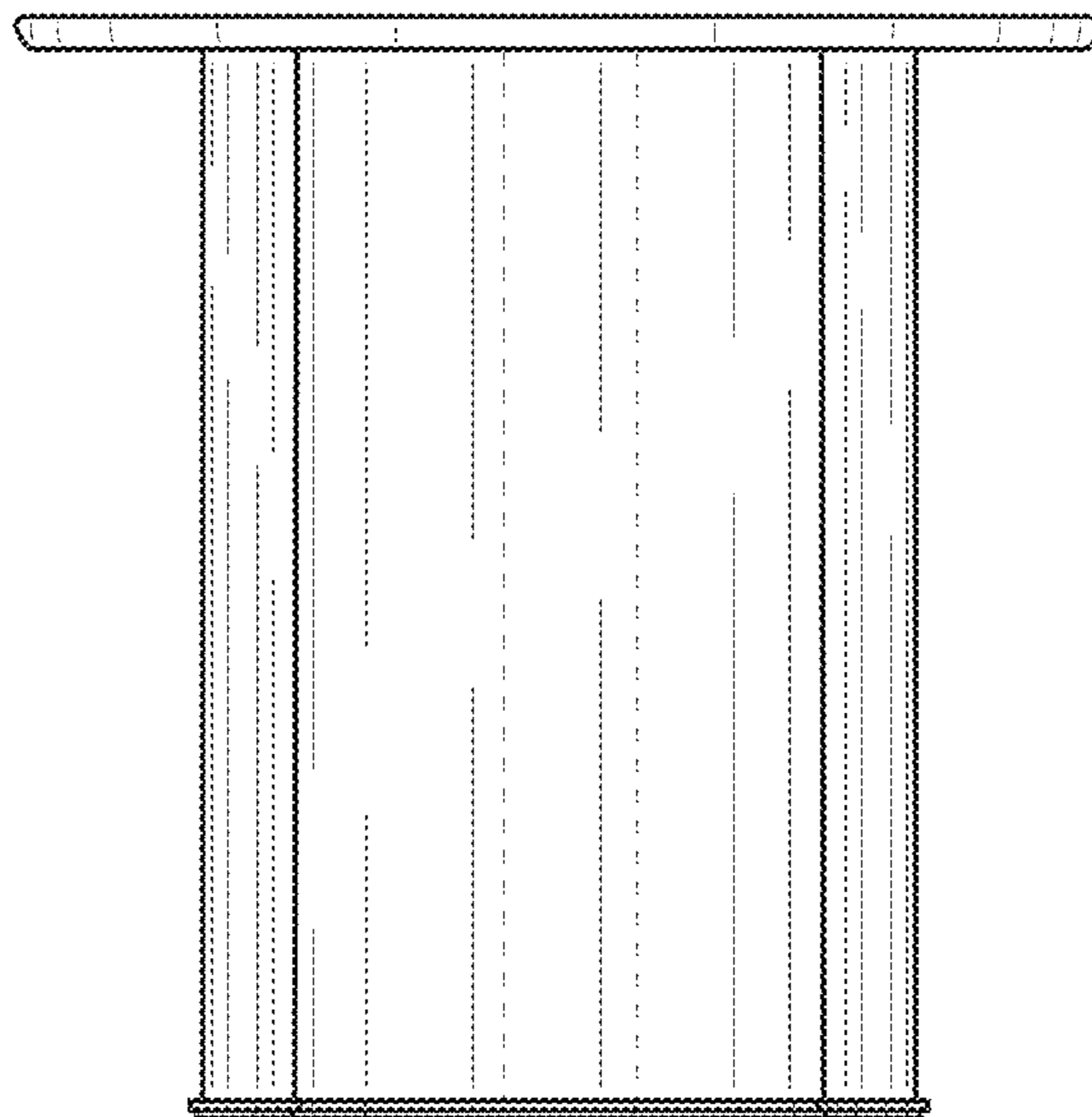


FIG. 2

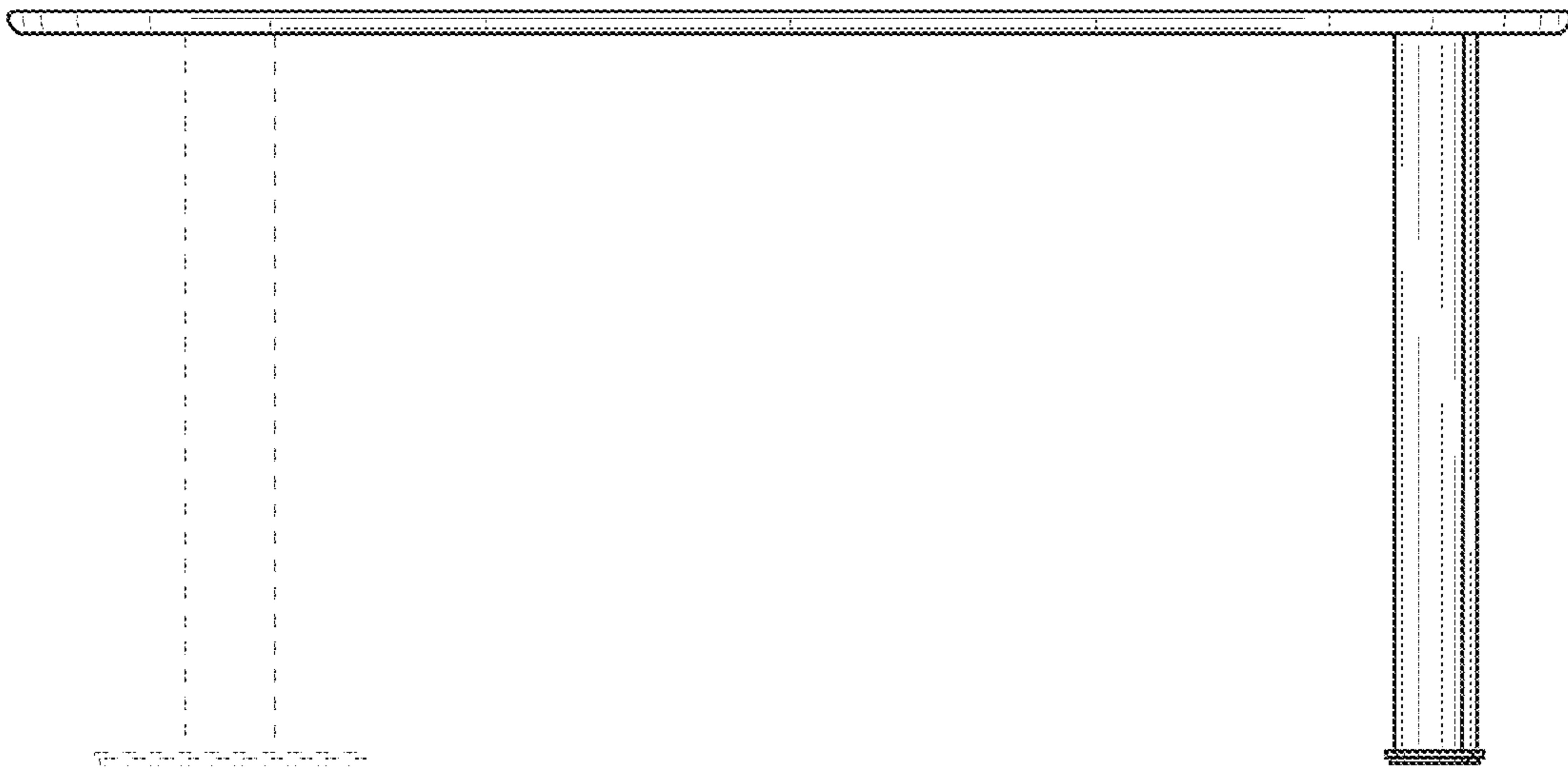


FIG. 3

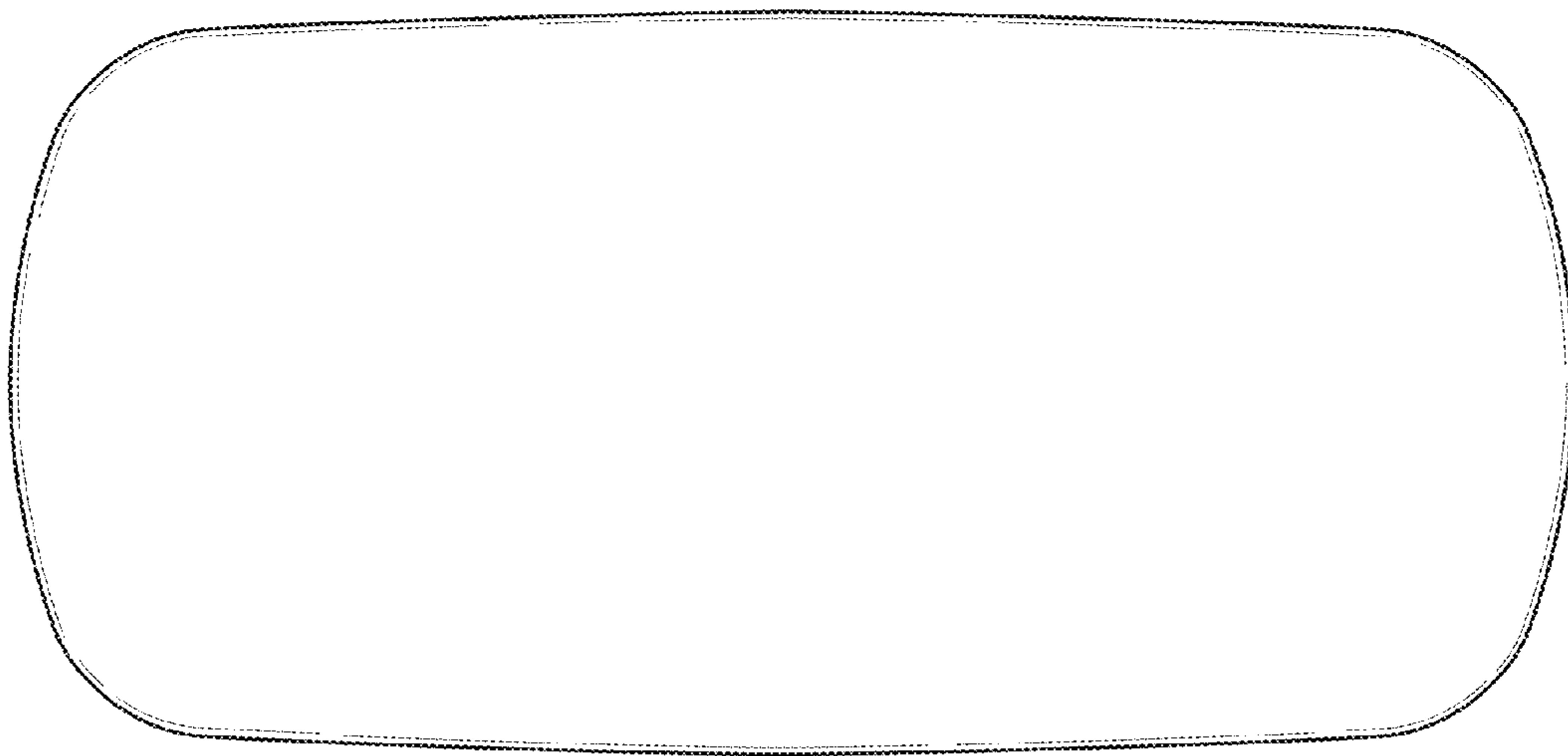


FIG. 4

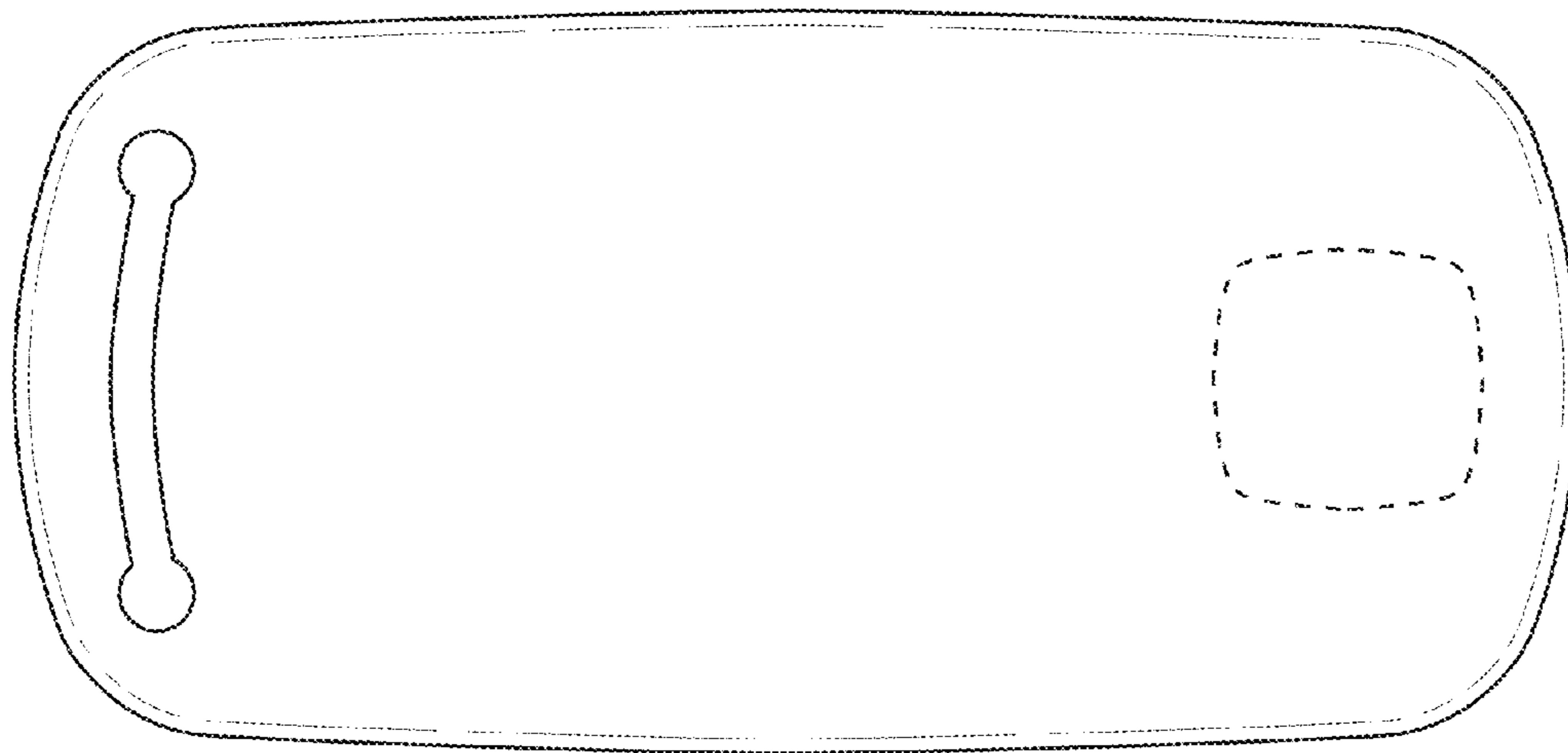


FIG. 5

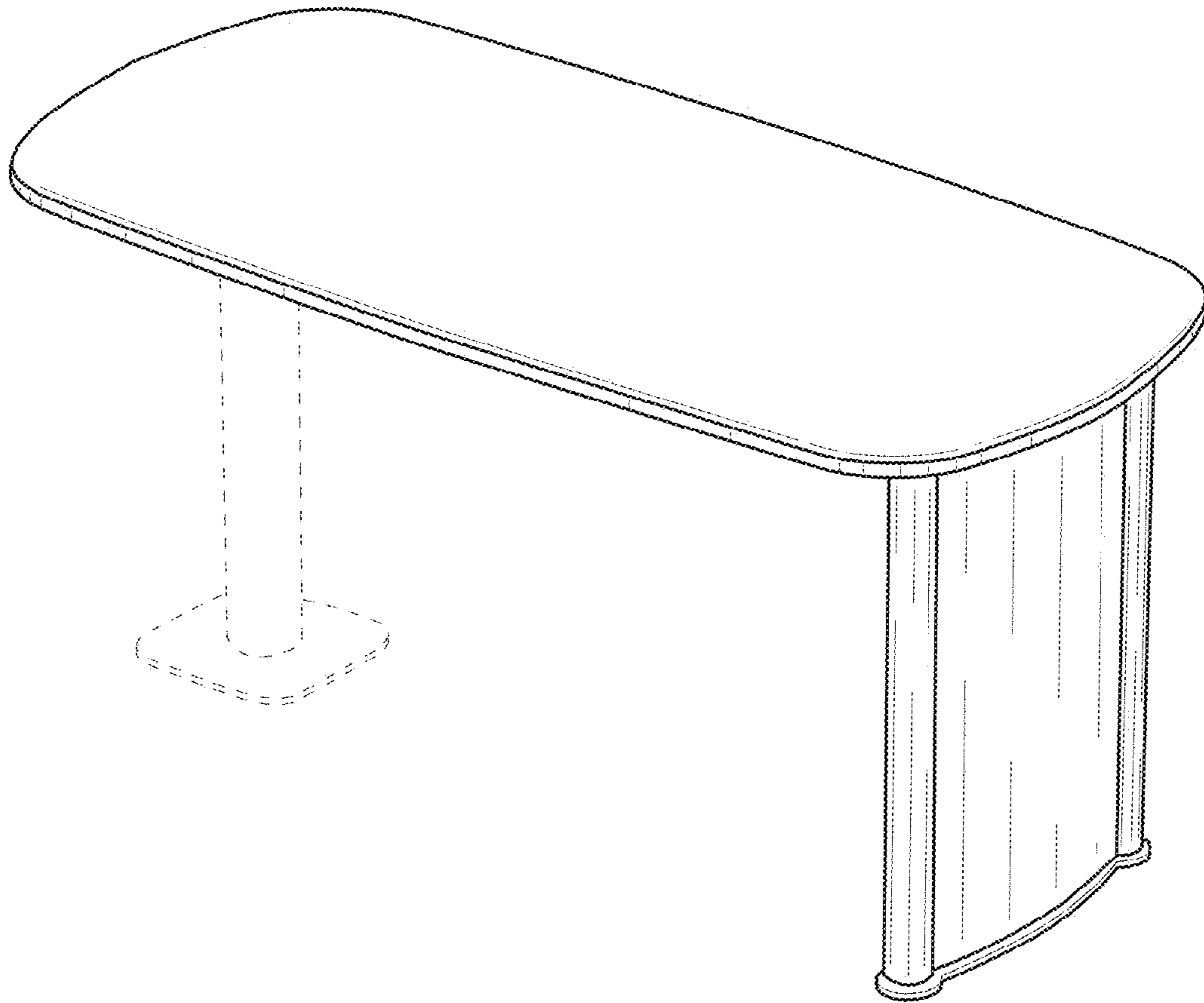


FIG. 6