



US00D733460S

(12) **United States Design Patent**  
**Corey et al.**

(10) **Patent No.:** **US D733,460 S**

(45) **Date of Patent:** **\*\* Jul. 7, 2015**

(54) **BOTTOM RAIL ANCHOR ASSEMBLY FOR  
CORDED WINDOW SHADES**

(71) Applicant: **Comfortex Window Fashions,**  
Maplewood, NY (US)

(72) Inventors: **John A. Corey,** Troy, NY (US); **Michael  
Nygard,** Malta, NY (US)

(73) Assignee: **Comfortex Window Fashions,**  
Maplewood, NY (US)

(\*\*) Term: **14 Years**

(21) Appl. No.: **29/458,853**

(22) Filed: **Jun. 24, 2013**

(51) **LOC (10) Cl.** ..... **06-10**

(52) **U.S. Cl.**  
USPC ..... **D6/580**

(58) **Field of Classification Search**  
USPC ..... D6/575, 576, 577, 578, 579, 580, 581;  
D8/330, 349, 352, 353, 368, 369, 376,  
D8/381; 160/84.01, 84.02, 84.03, 84.04,  
160/84.05, 84.06, 84.07, 84.08, 107, 108,  
160/111, 321

See application file for complete search history.

(56) **References Cited**

U.S. PATENT DOCUMENTS

D308,011 S *	5/1990	Norris	.....	D8/356
D401,798 S *	12/1998	Simonsen et al.	.....	D6/580
D479,080 S *	9/2003	Damiano	.....	D6/580
D501,749 S *	2/2005	Gruner	.....	D6/575

(Continued)

*Primary Examiner* — Karen S Acker

*Assistant Examiner* — Wendy Arminio

(74) *Attorney, Agent, or Firm* — Hoffman Warnick LLC

(57) **CLAIM**

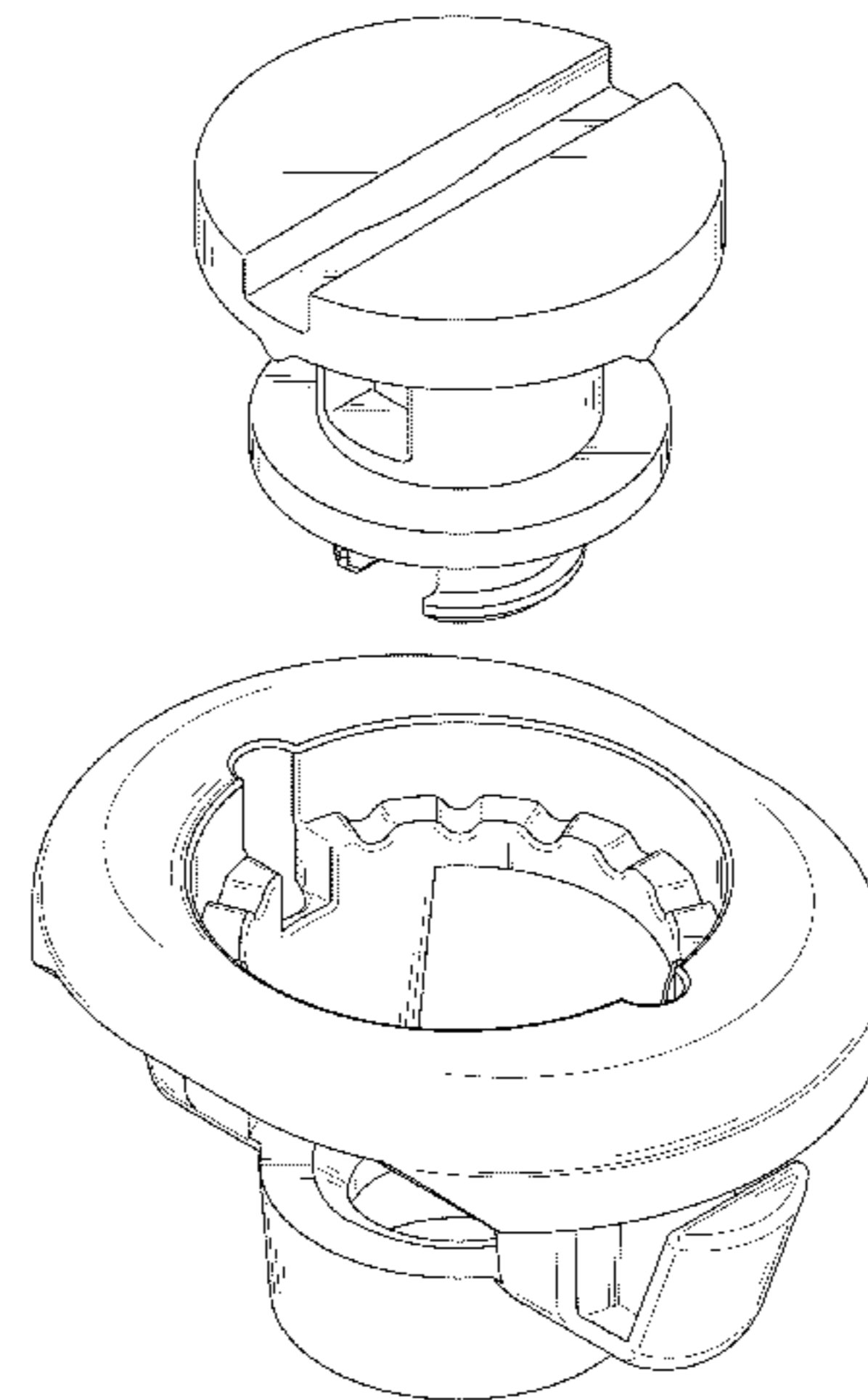
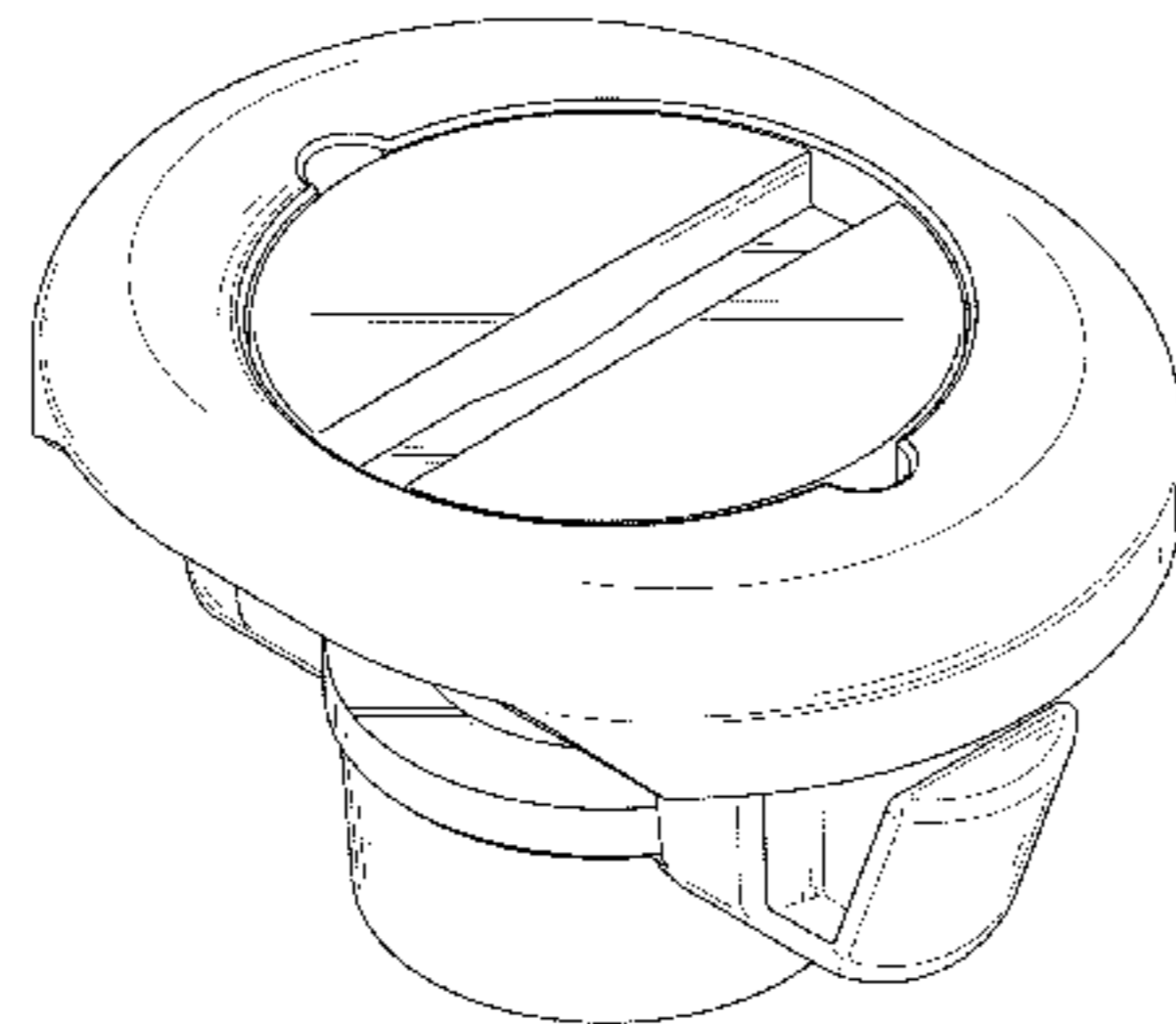
The ornamental design for a bottom rail anchor assembly for corded window shades, as shown and described.

**DESCRIPTION**

FIG. 1 is a perspective view of a bottom rail anchor assembly for corded window shades;  
 FIG. 2 is a plan view thereof;  
 FIG. 3 is a bottom view thereof;  
 FIG. 4 is a front view thereof;  
 FIG. 5 is a back view thereof;  
 FIG. 6 is a left side view thereof;  
 FIG. 7 is a right side view thereof;  
 FIG. 8 is an exploded perspective view of FIG. 1;  
 FIG. 9 is a perspective view of the housing portion of the bottom rail anchor assembly for corded window shades of the design of FIG. 1;  
 FIG. 10 is a plan view of FIG. 9;  
 FIG. 11 is a bottom view of FIG. 9;  
 FIG. 12 is a front view of FIG. 9;  
 FIG. 13 is a side view of FIG. 9;  
 FIG. 14 is a perspective view of the spool portion of the bottom rail anchor assembly for corded window shades of the design of FIG. 1;  
 FIG. 15 is a top plan view of FIG. 14;  
 FIG. 16 is a bottom view of FIG. 14;  
 FIG. 17 is a front view of FIG. 14;  
 FIG. 18 is a back view of FIG. 14;  
 FIG. 19 is a left side view of FIG. 14;  
 FIG. 20 is a right side view of FIG. 14;  
 FIG. 21 is a perspective view of the bottom rail anchor assembly for corded window shades of the design of FIG. 1 shown in a position of use on the bottom rail of a window shade;  
 FIG. 22 is an exploded perspective view thereof;  
 FIG. 23 is a perspective view of the bottom rail anchor assembly for corded window shades of the design of FIG. 1 shown inverted in a position of use on the bottom rail of a full window shade assembly;  
 FIG. 24 is a top plan view thereof;  
 FIG. 25 is a bottom view thereof;  
 FIG. 26 is a front view thereof; and,  
 FIG. 27 is a side view thereof.

The broken lines in FIGS. 21-27 depict environmental subject matter that forms no part of the claimed design.

**1 Claim, 26 Drawing Sheets**



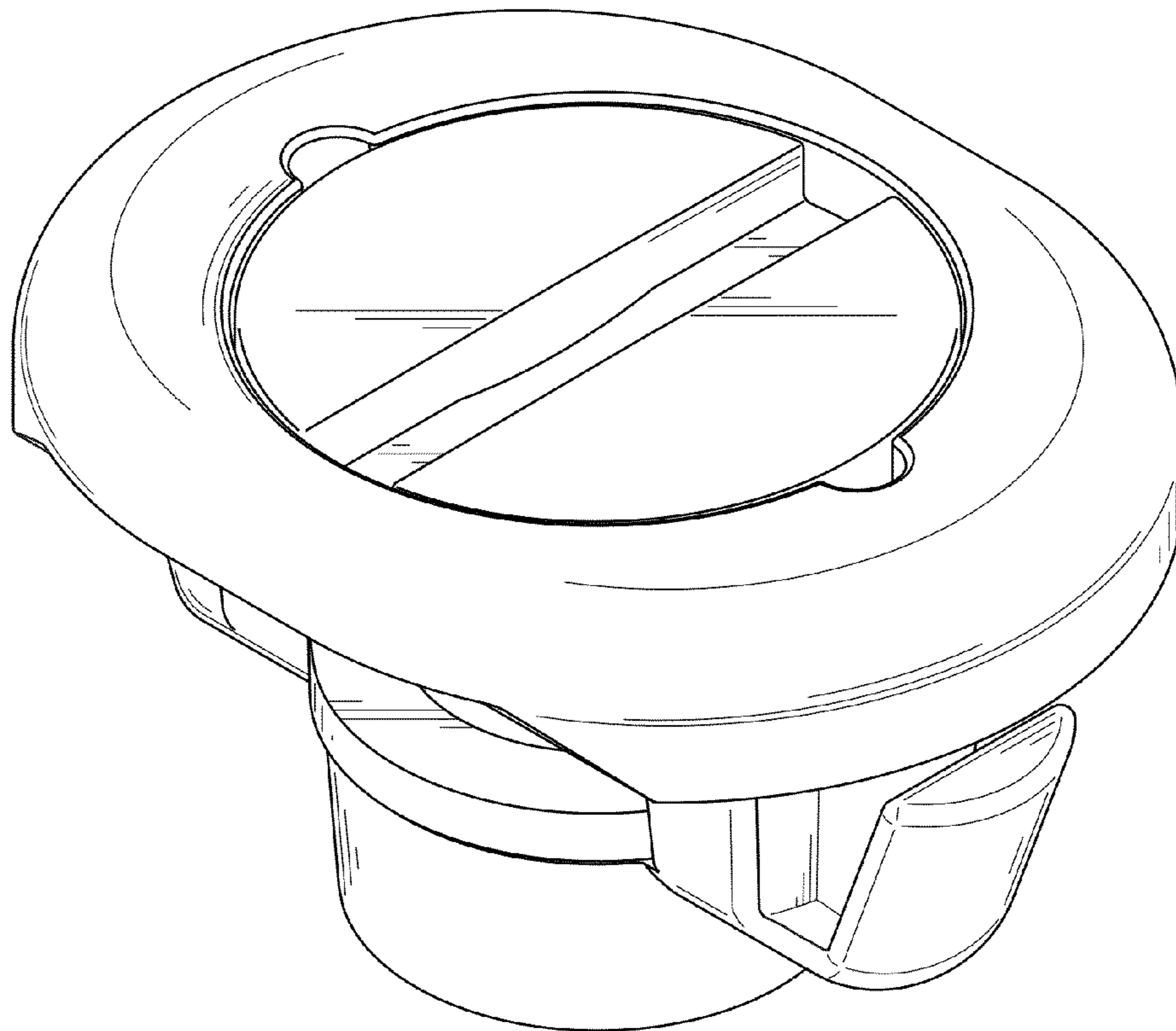
(56)

**References Cited**

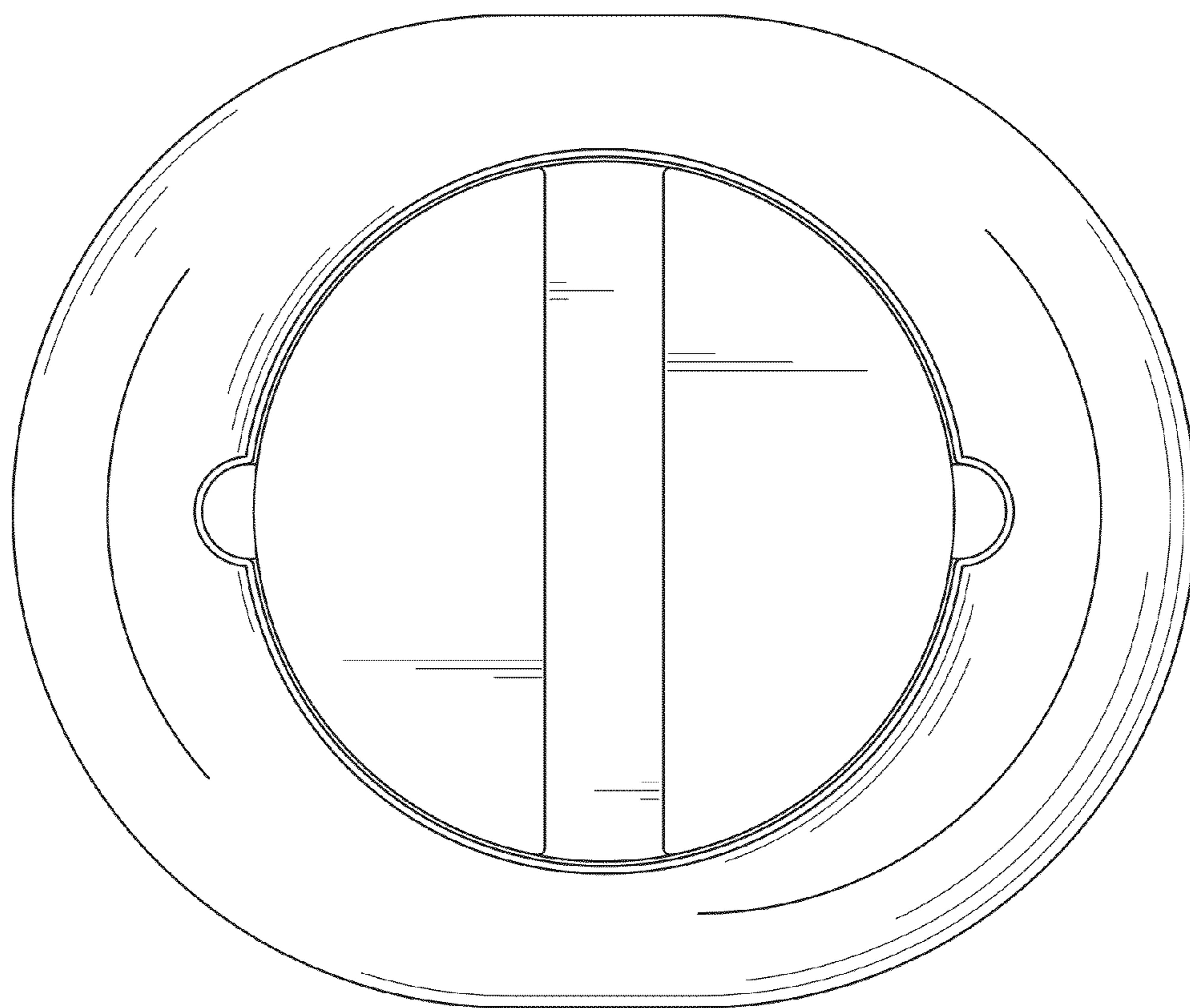
U.S. PATENT DOCUMENTS

6,948,216 B2 *	9/2005	Gaudyn et al. ....	16/205	D690,133 S *	9/2013	Wu .....	D6/580
D541,567 S *	5/2007	Spence .....	D6/580	D695,591 S *	12/2013	Ackerman et al. ....	D8/349
D568,083 S *	5/2008	Chou .....	D6/580	D699,051 S *	2/2014	Wills .....	D6/580
D617,594 S *	6/2010	Di Stefano .....	D6/580	D700,501 S *	3/2014	Ackerman et al. ....	D8/349
D679,170 S *	4/2013	Else .....	D8/349	D701,709 S *	4/2014	Wills .....	D6/580
				2007/0023149 A1 *	2/2007	Lamars et al. ....	160/84.01
				2010/0126673 A1 *	5/2010	Lin .....	160/84.01

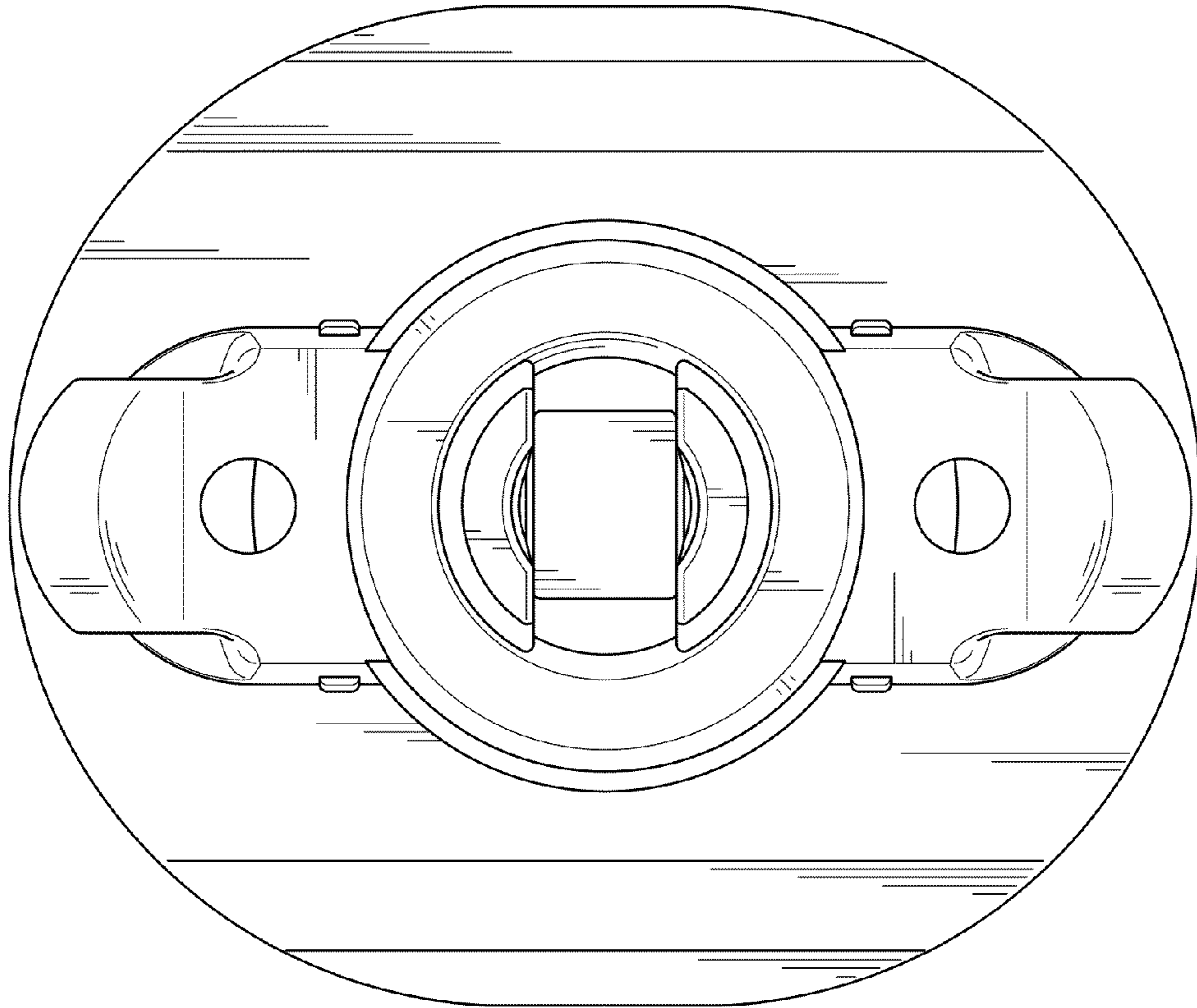
\* cited by examiner



**FIG. 1**

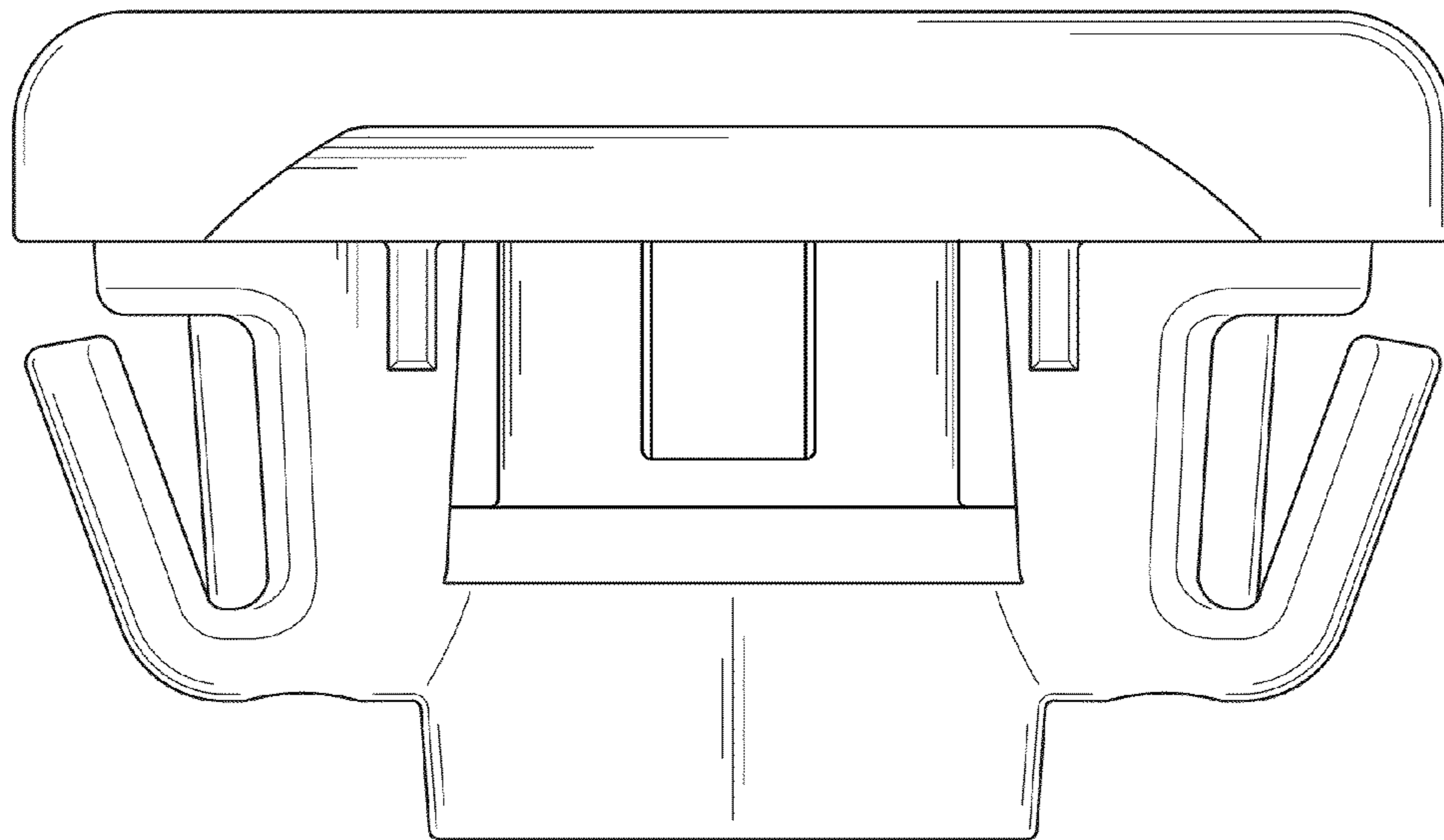


**FIG. 2**

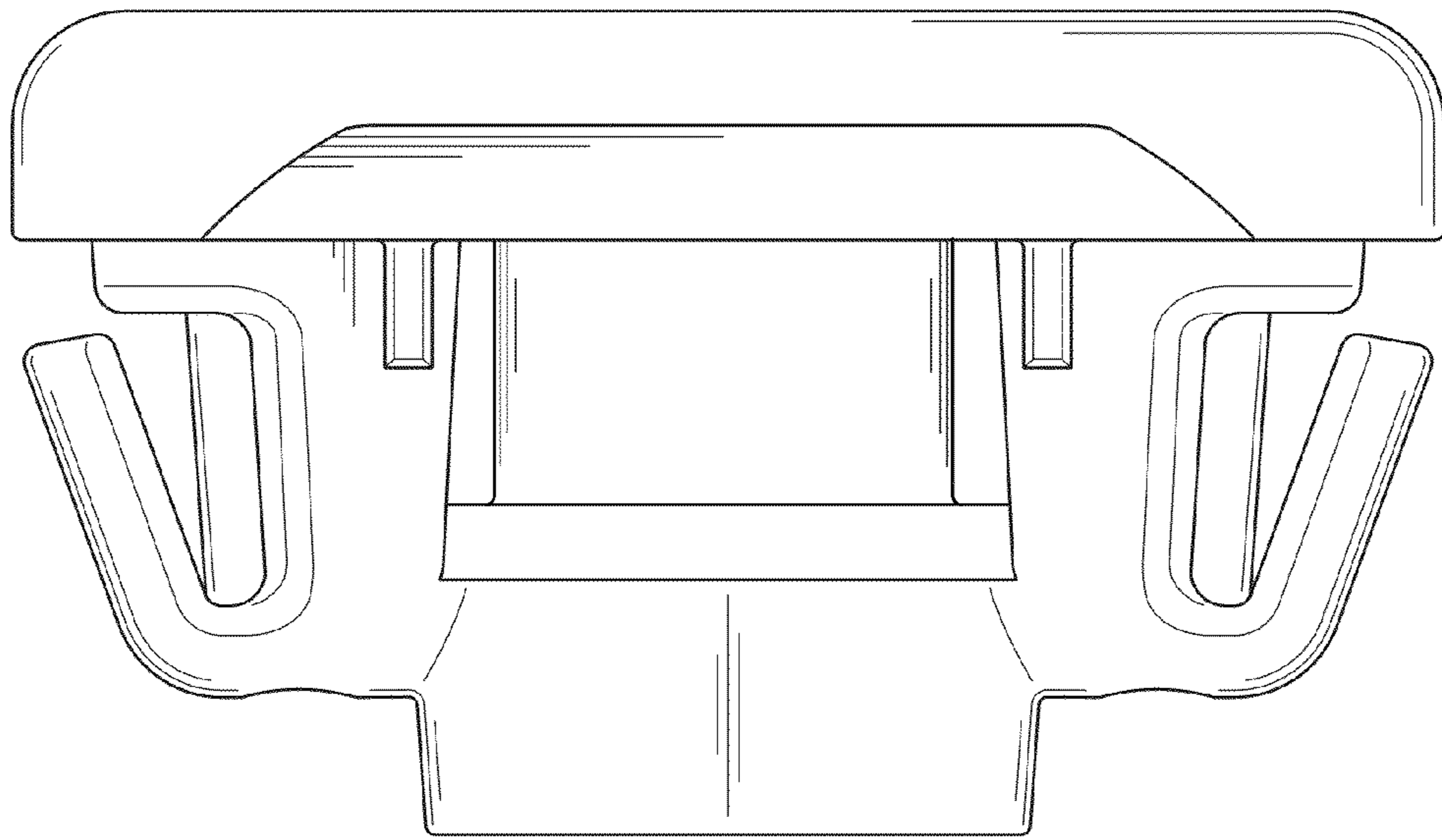


**FIG. 3**

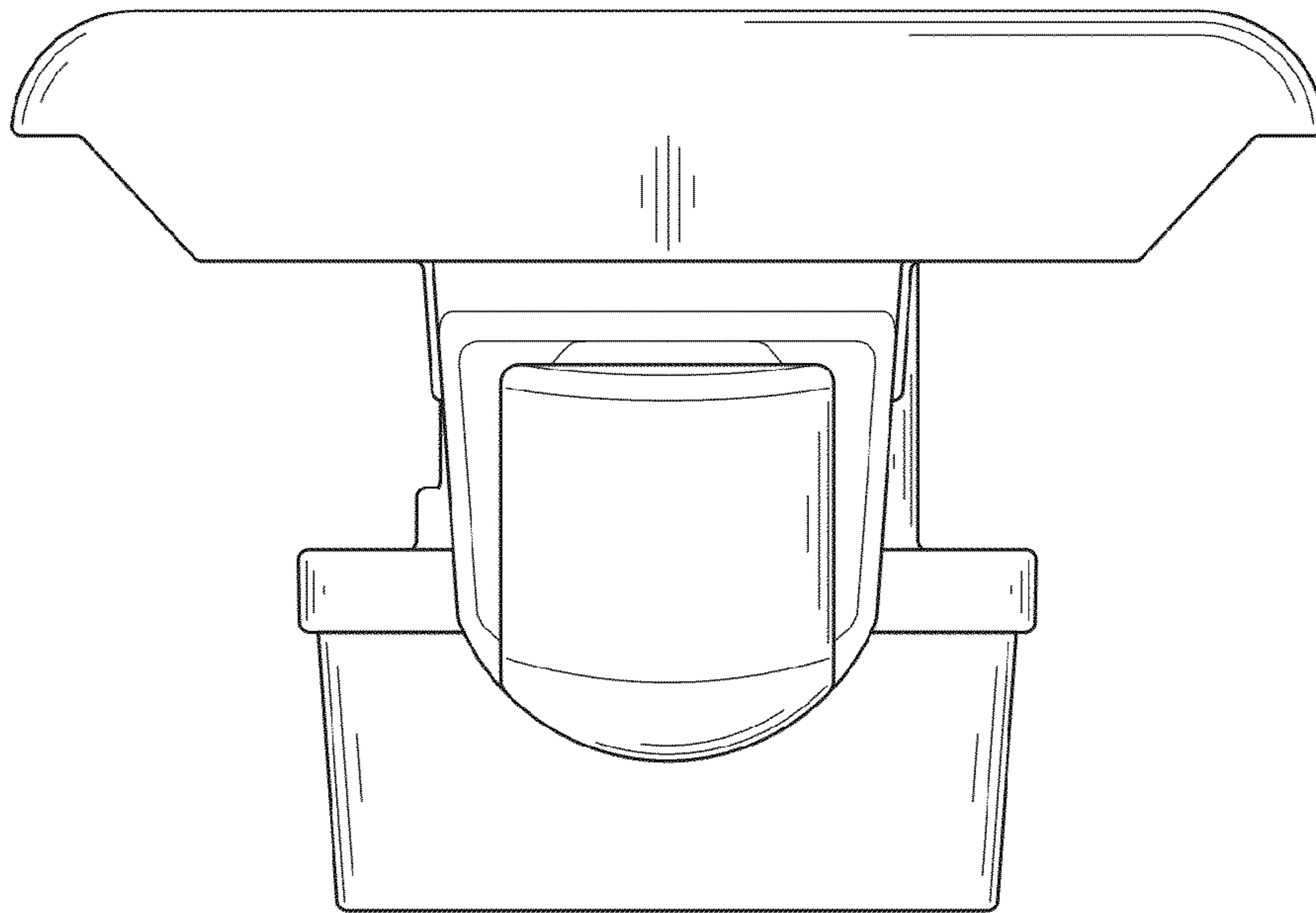




**FIG. 4**

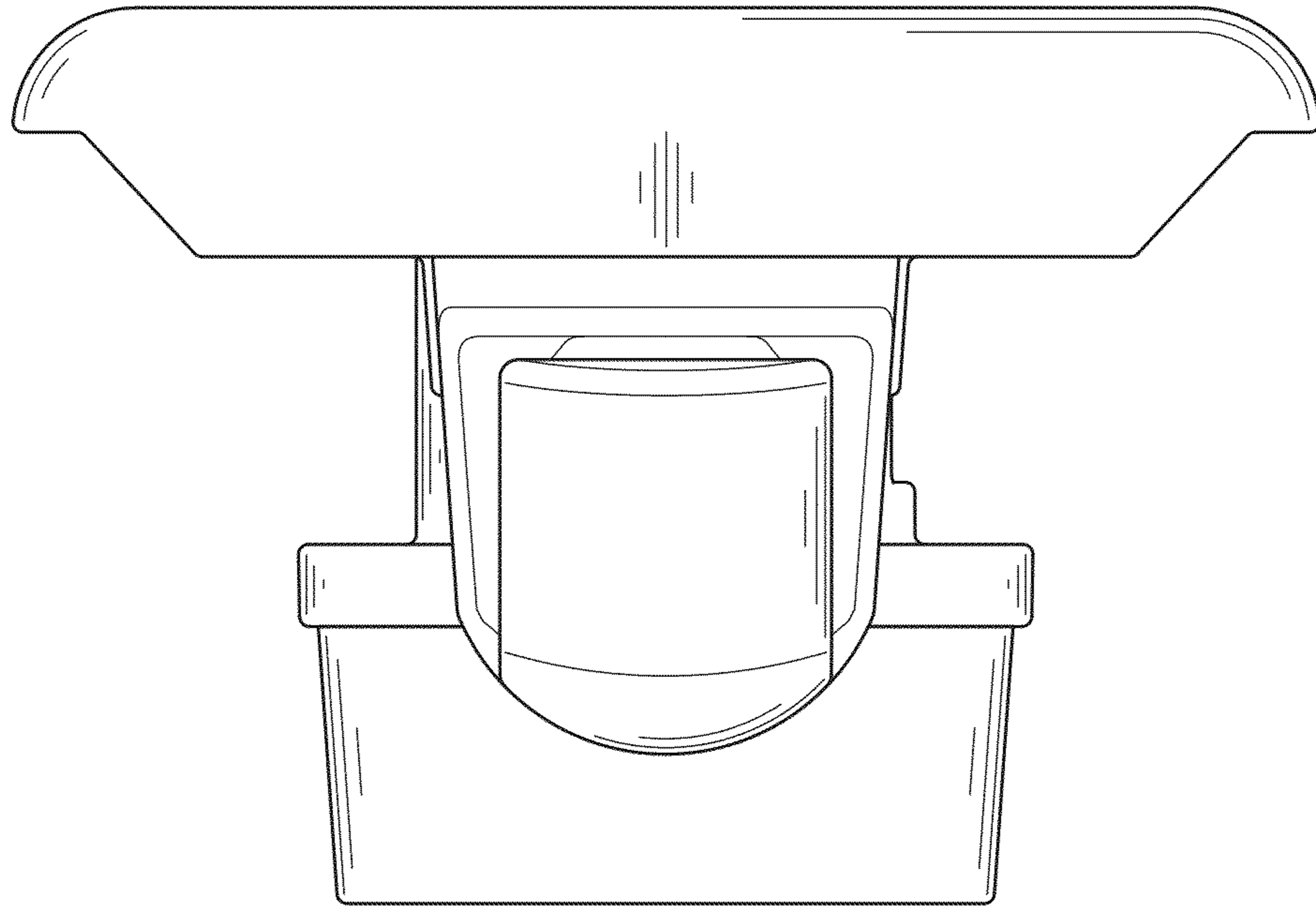


***FIG. 5***

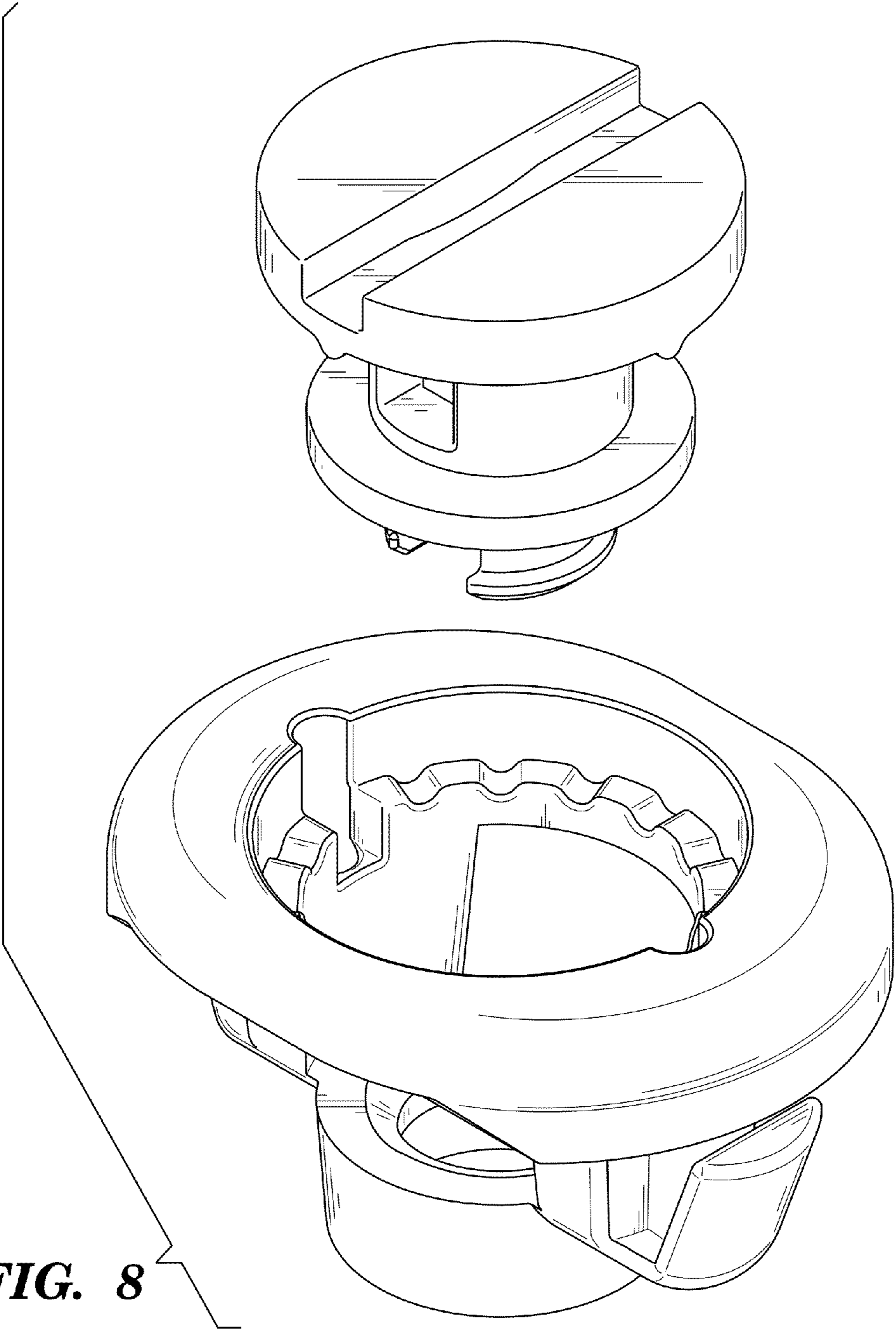


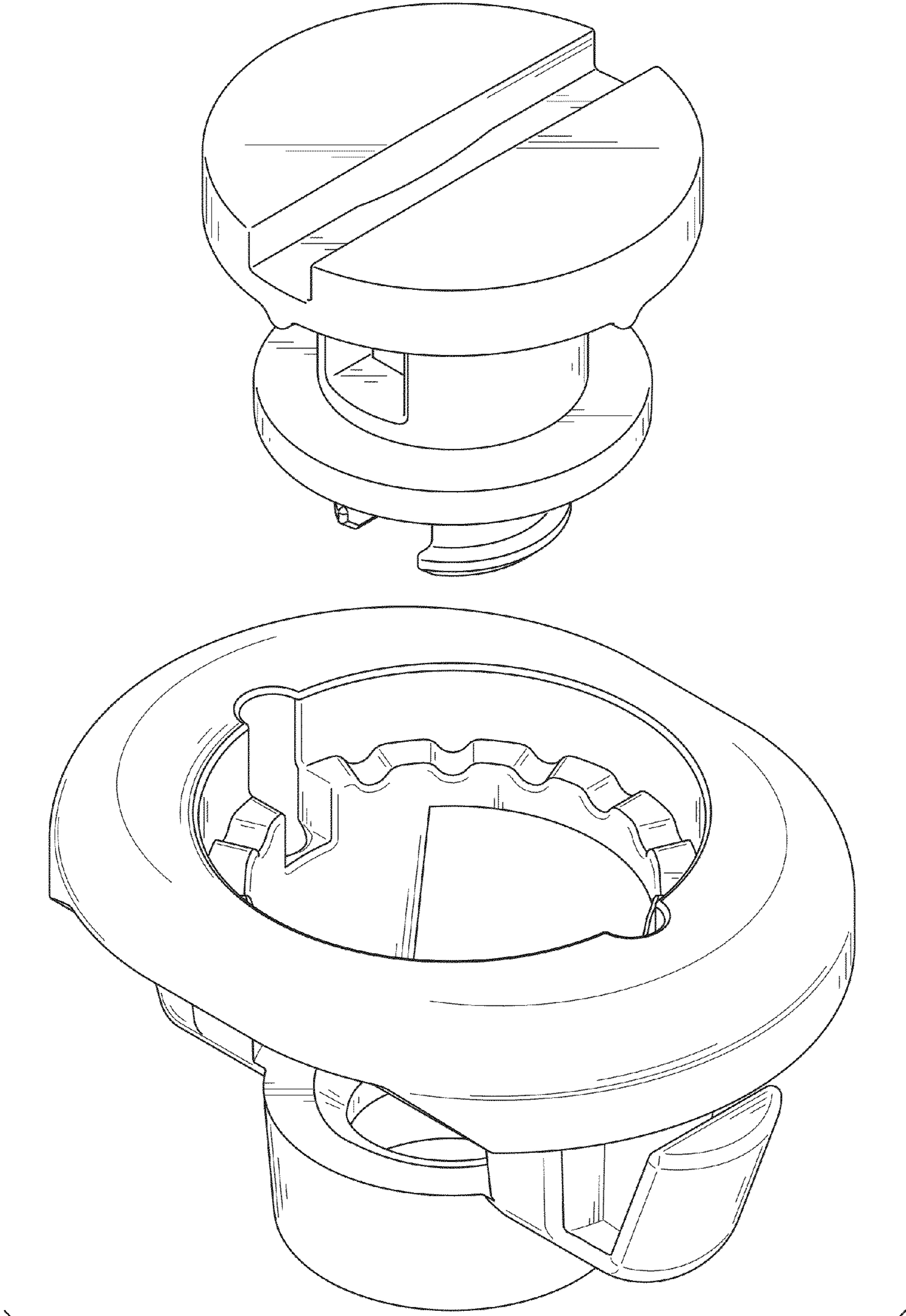
***FIG. 6***



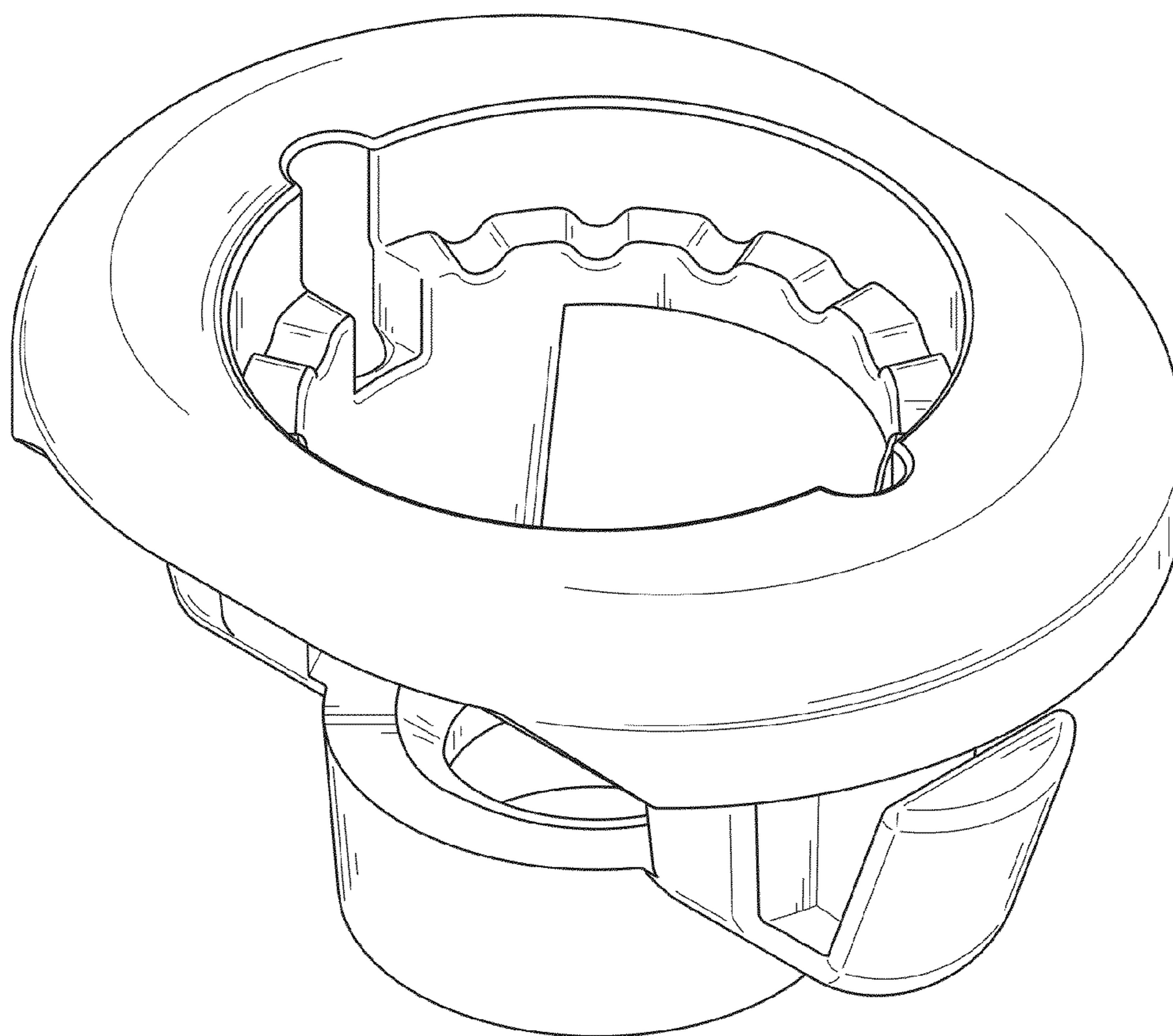


***FIG. 7***

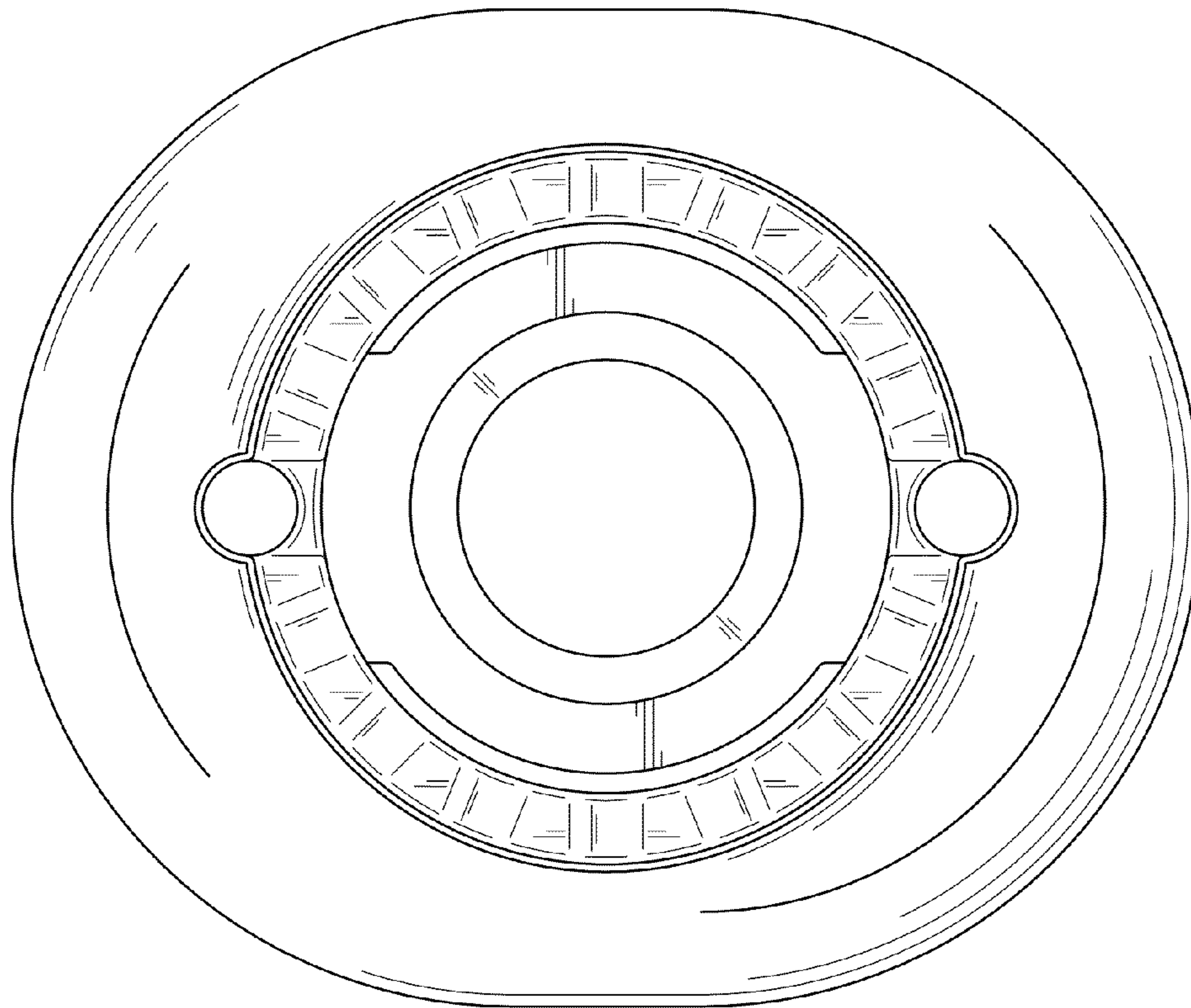




**FIG. 8**

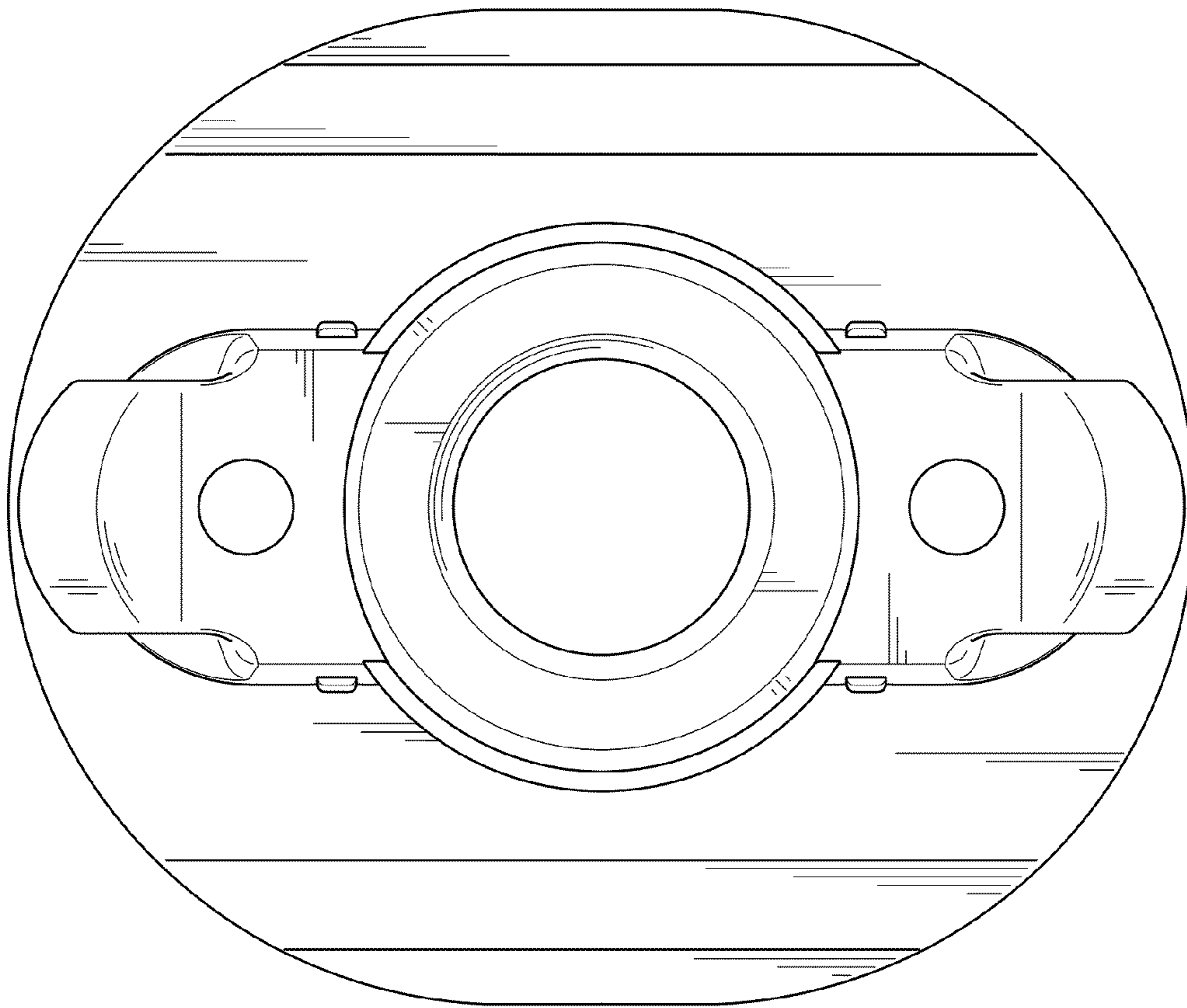


**FIG. 9**



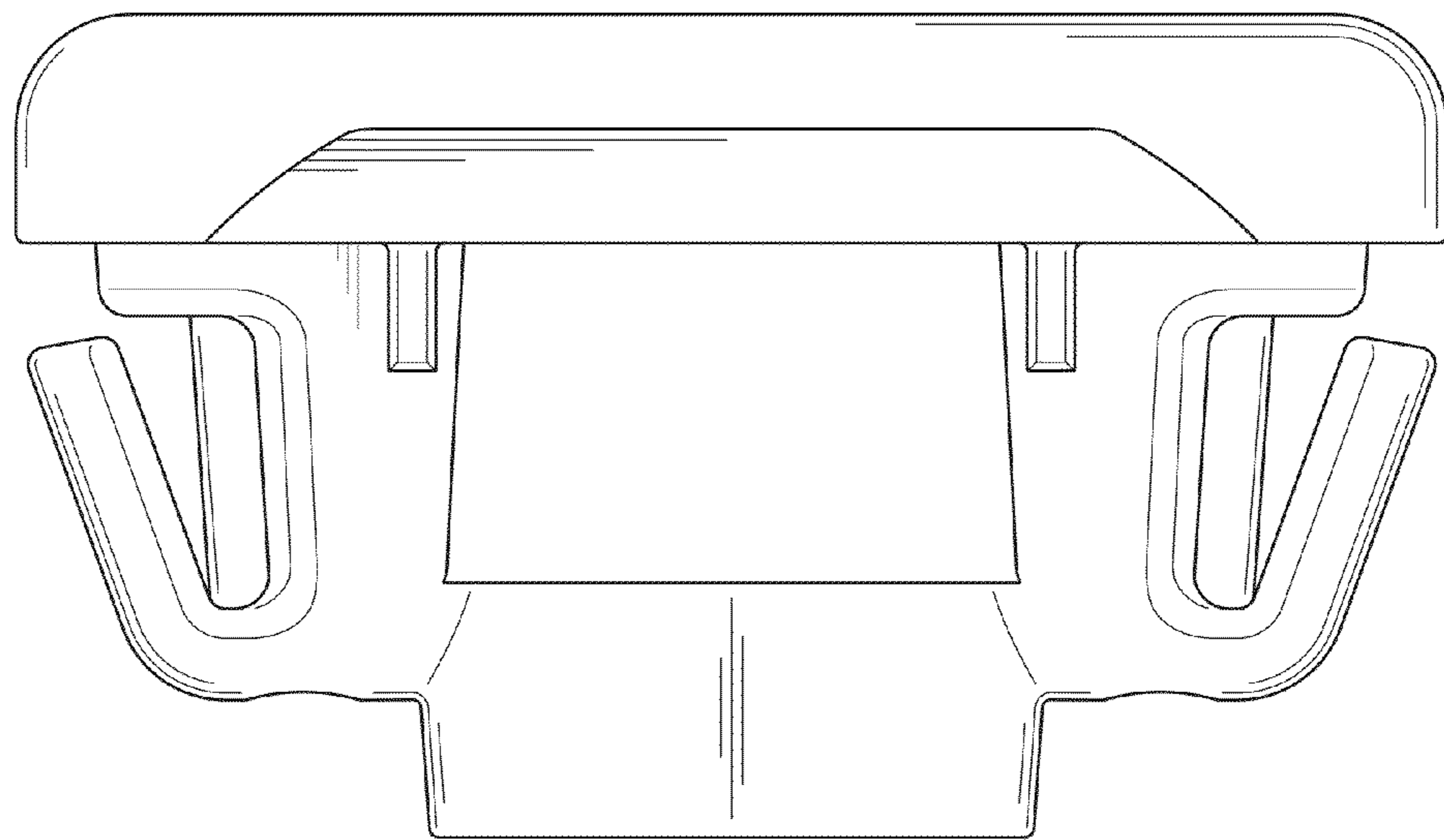
**FIG. 10**



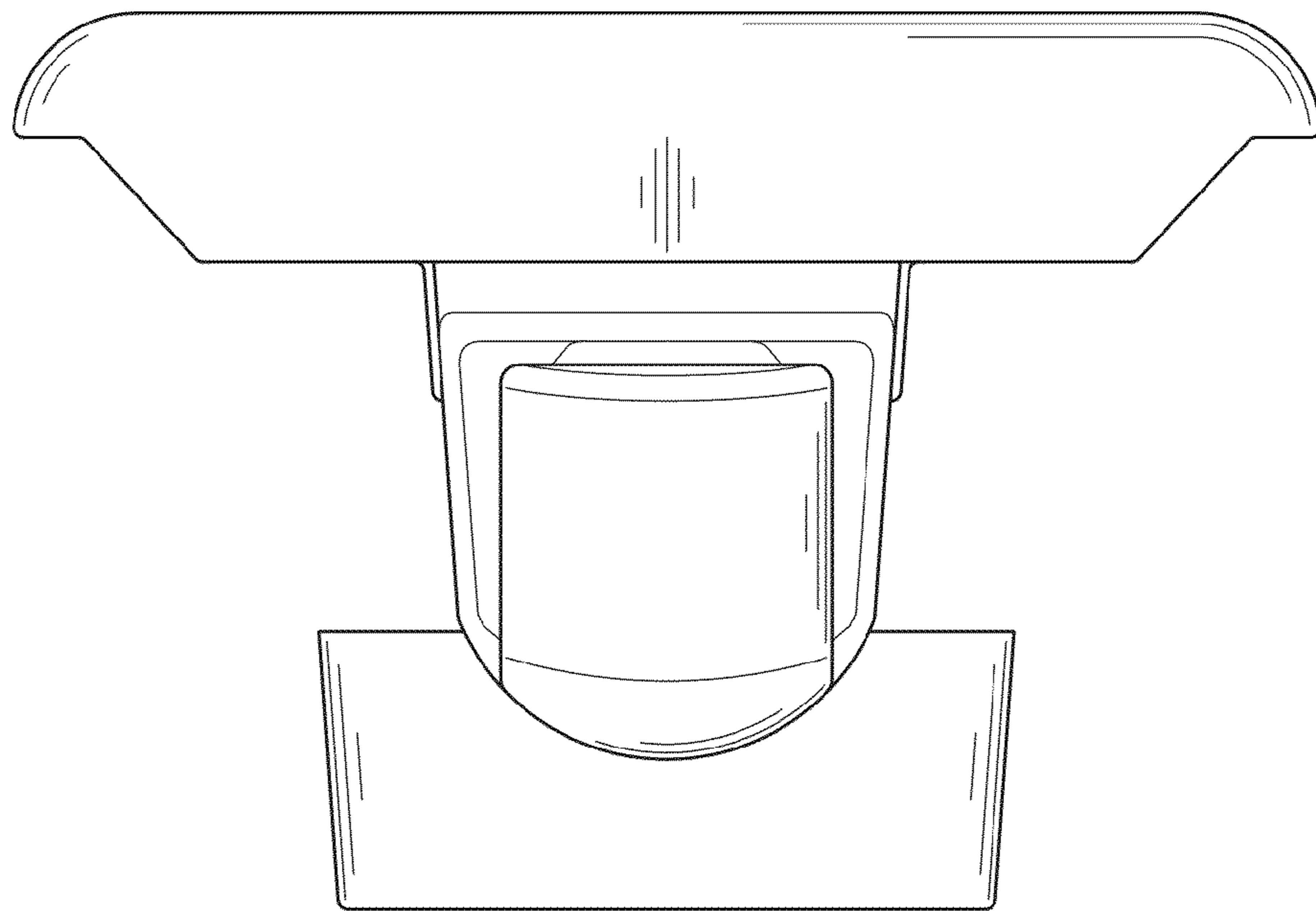


**FIG. 11**

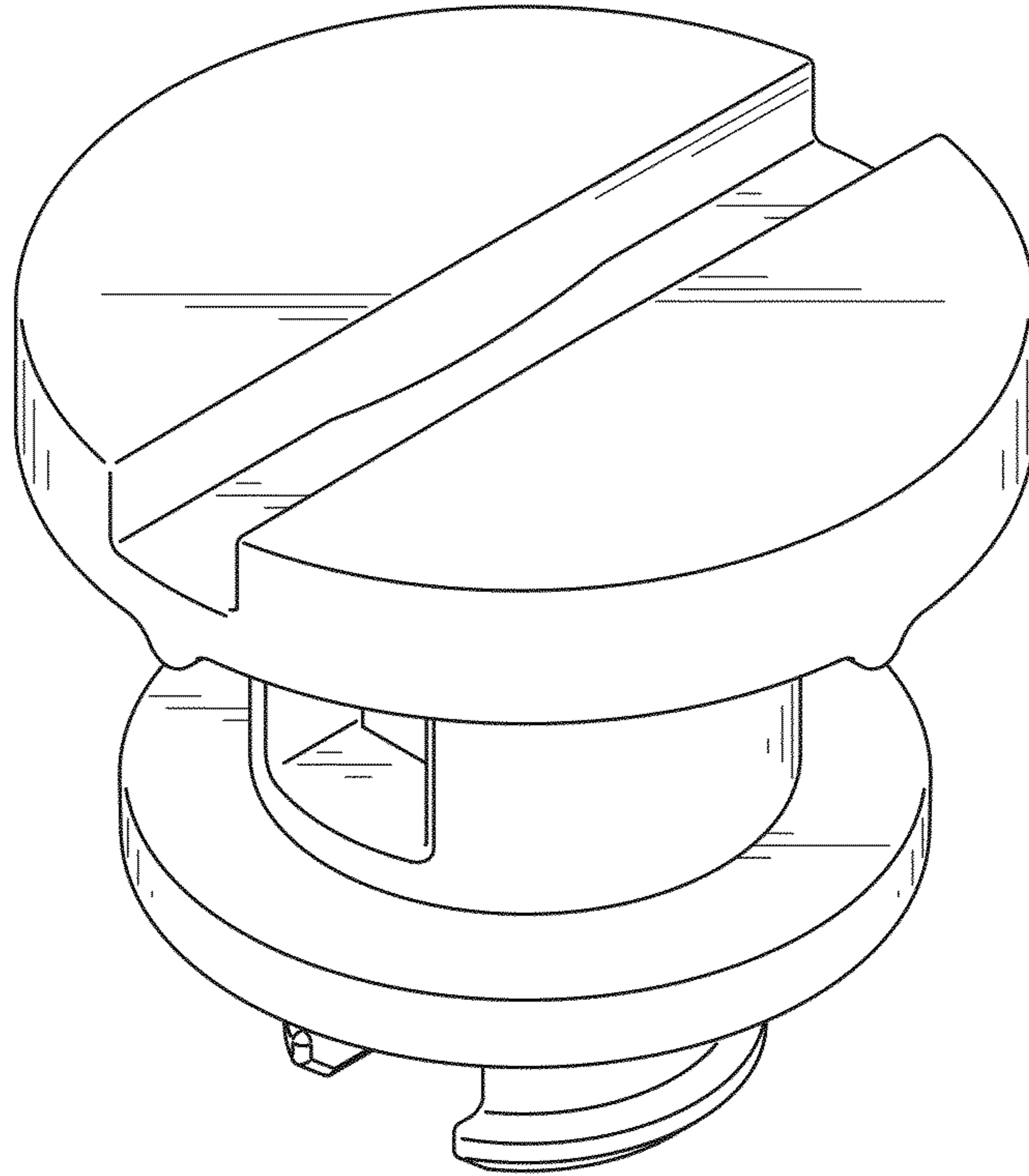




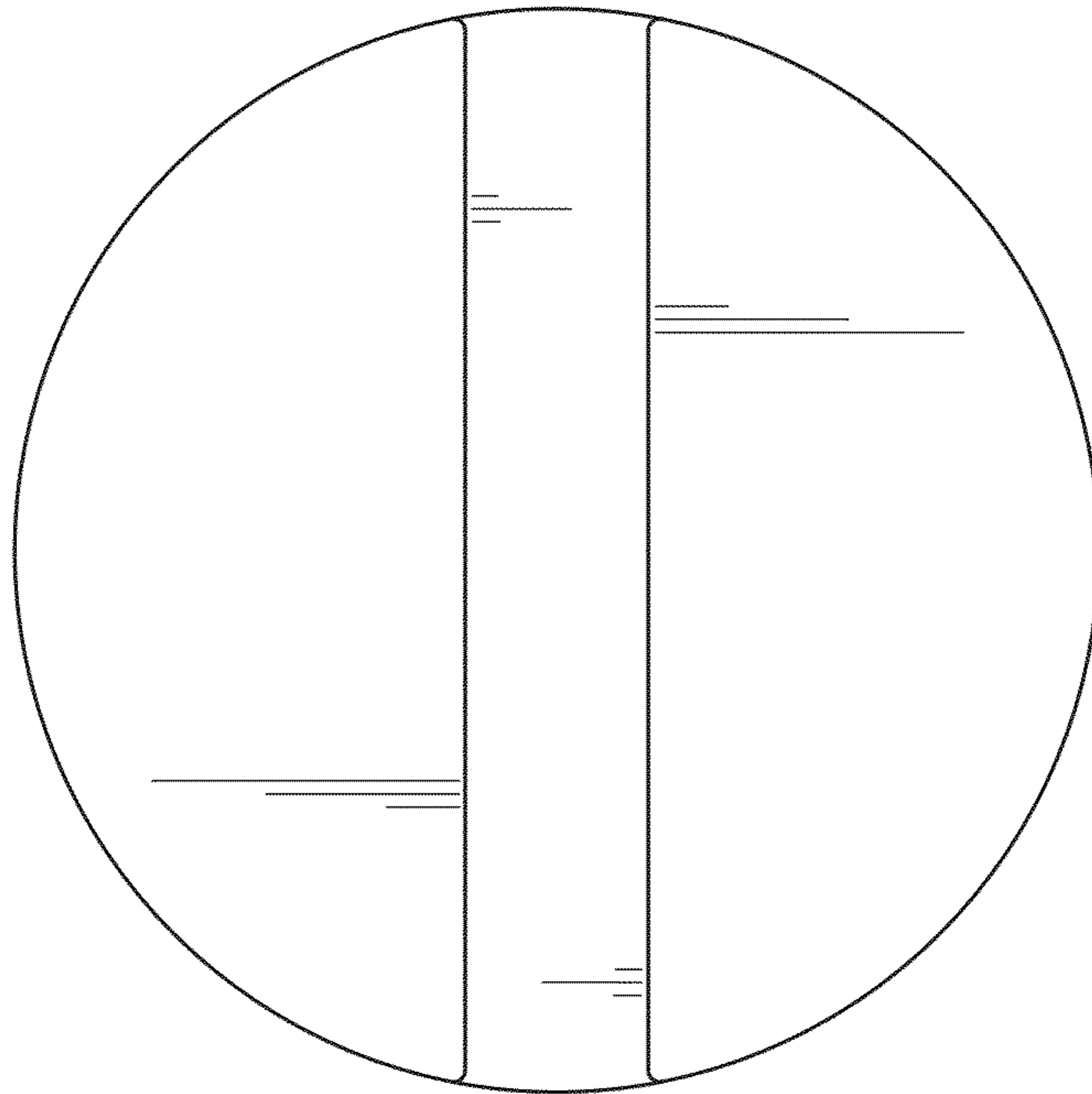
***FIG. 12***



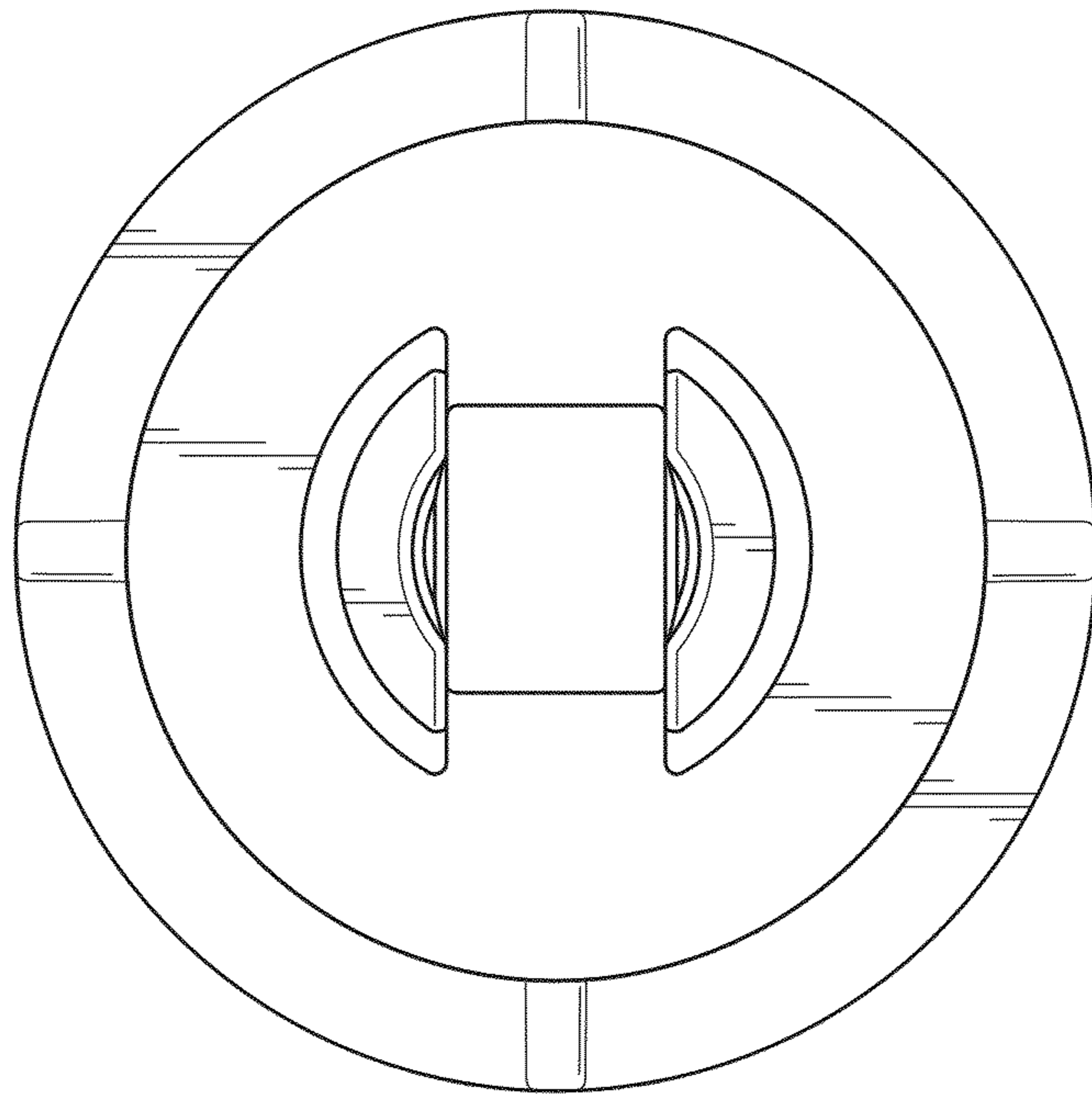
***FIG. 13***



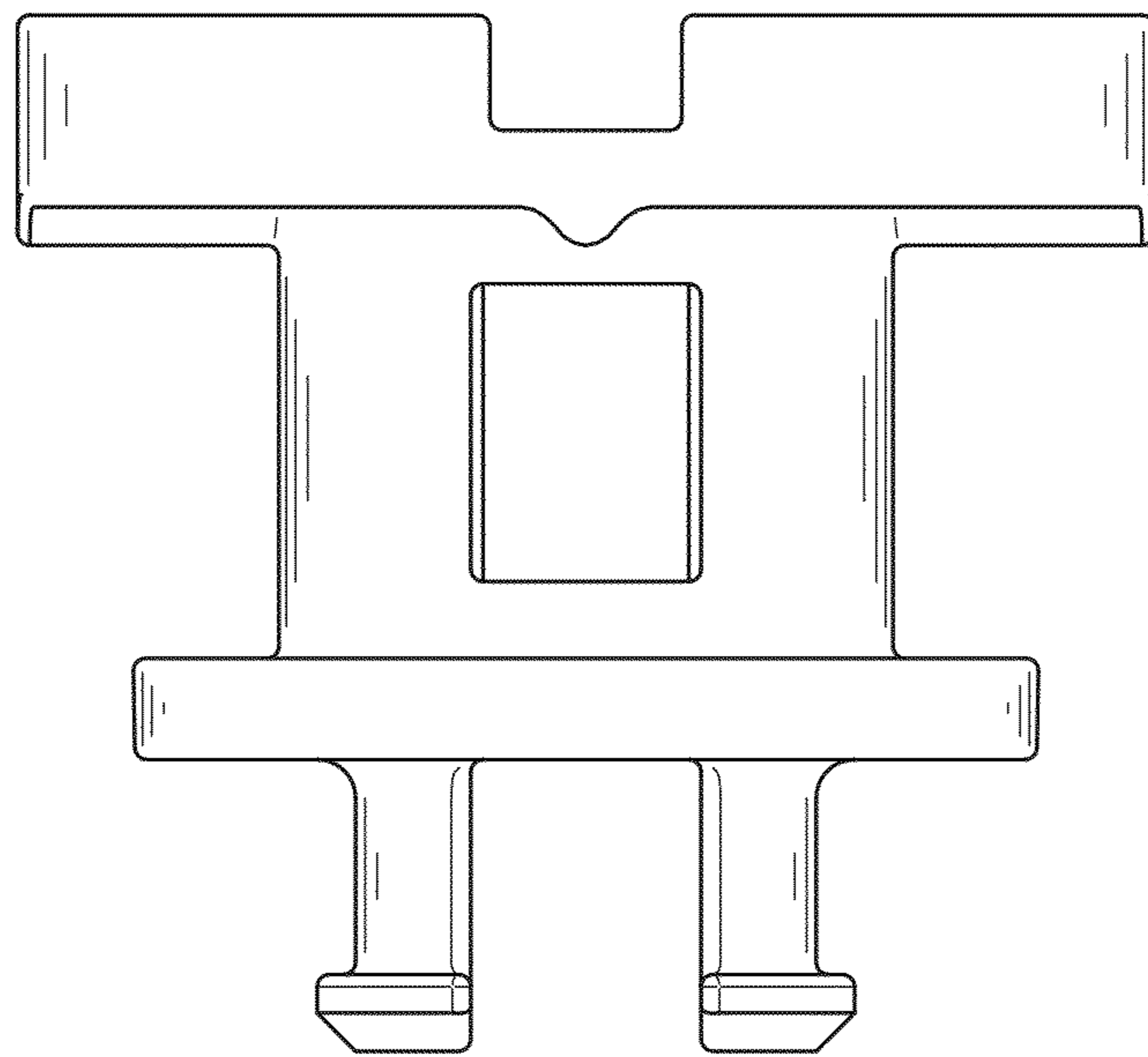
***FIG. 14***



***FIG. 15***

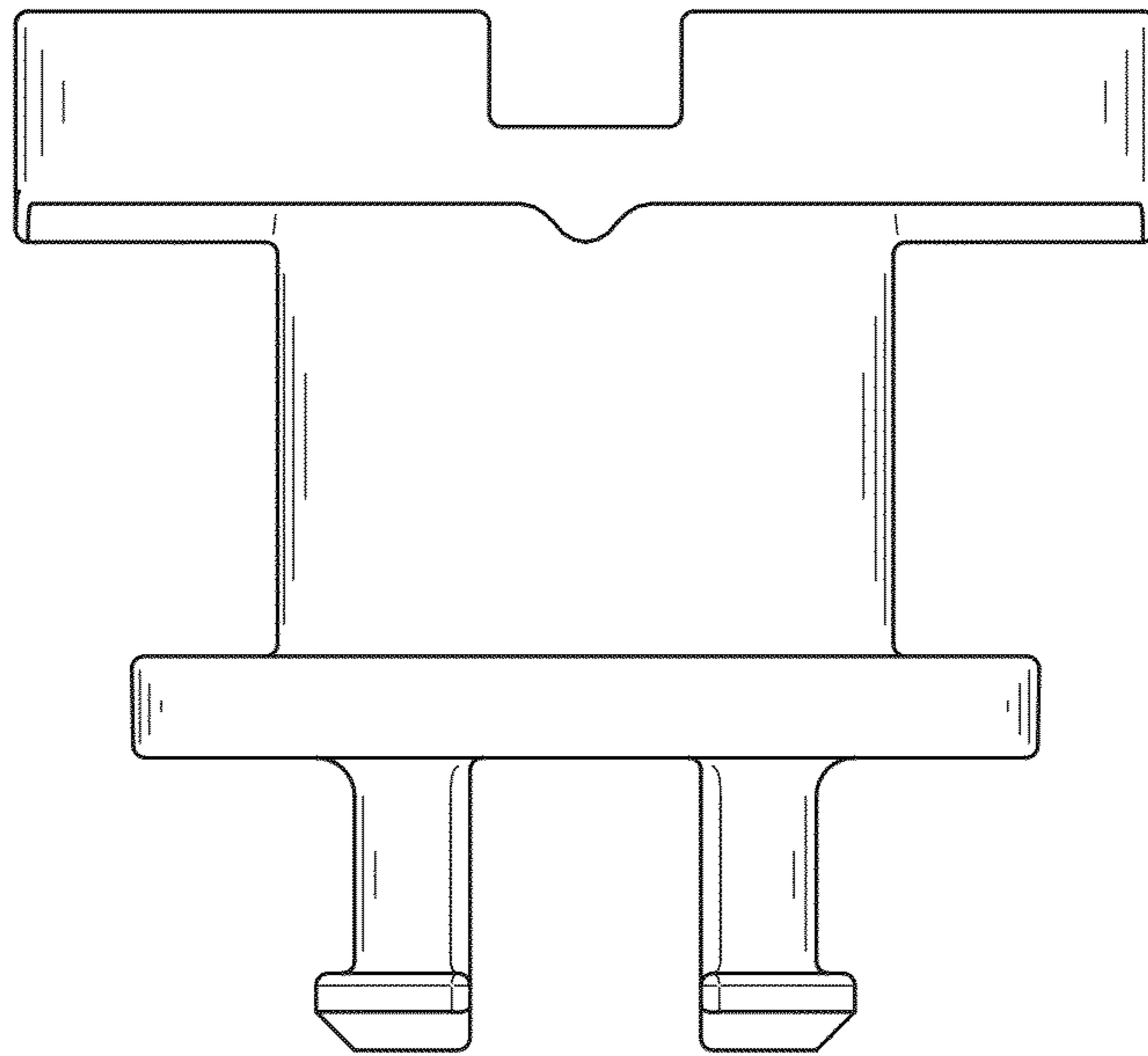


***FIG. 16***

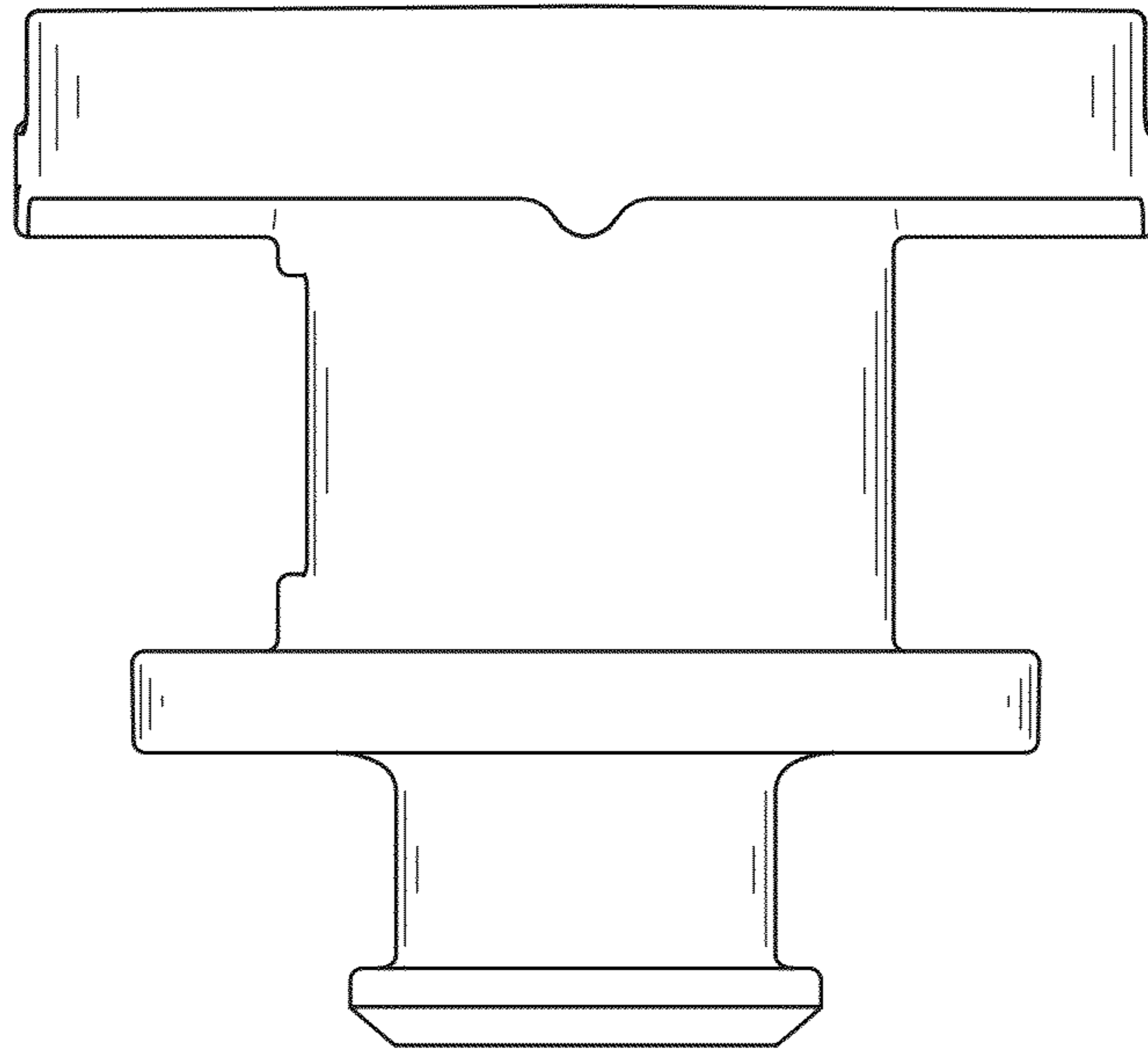


***FIG. 17***

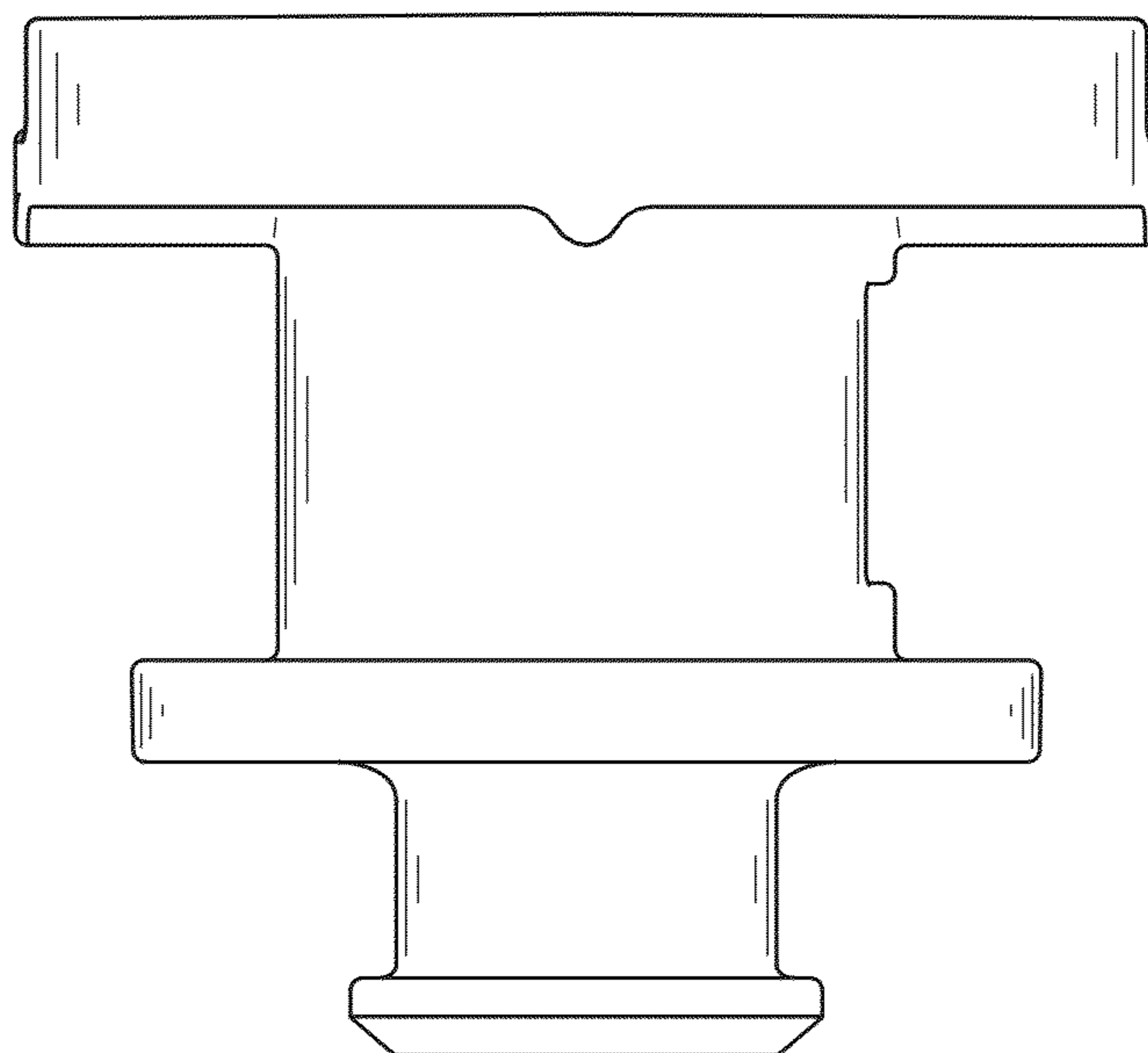




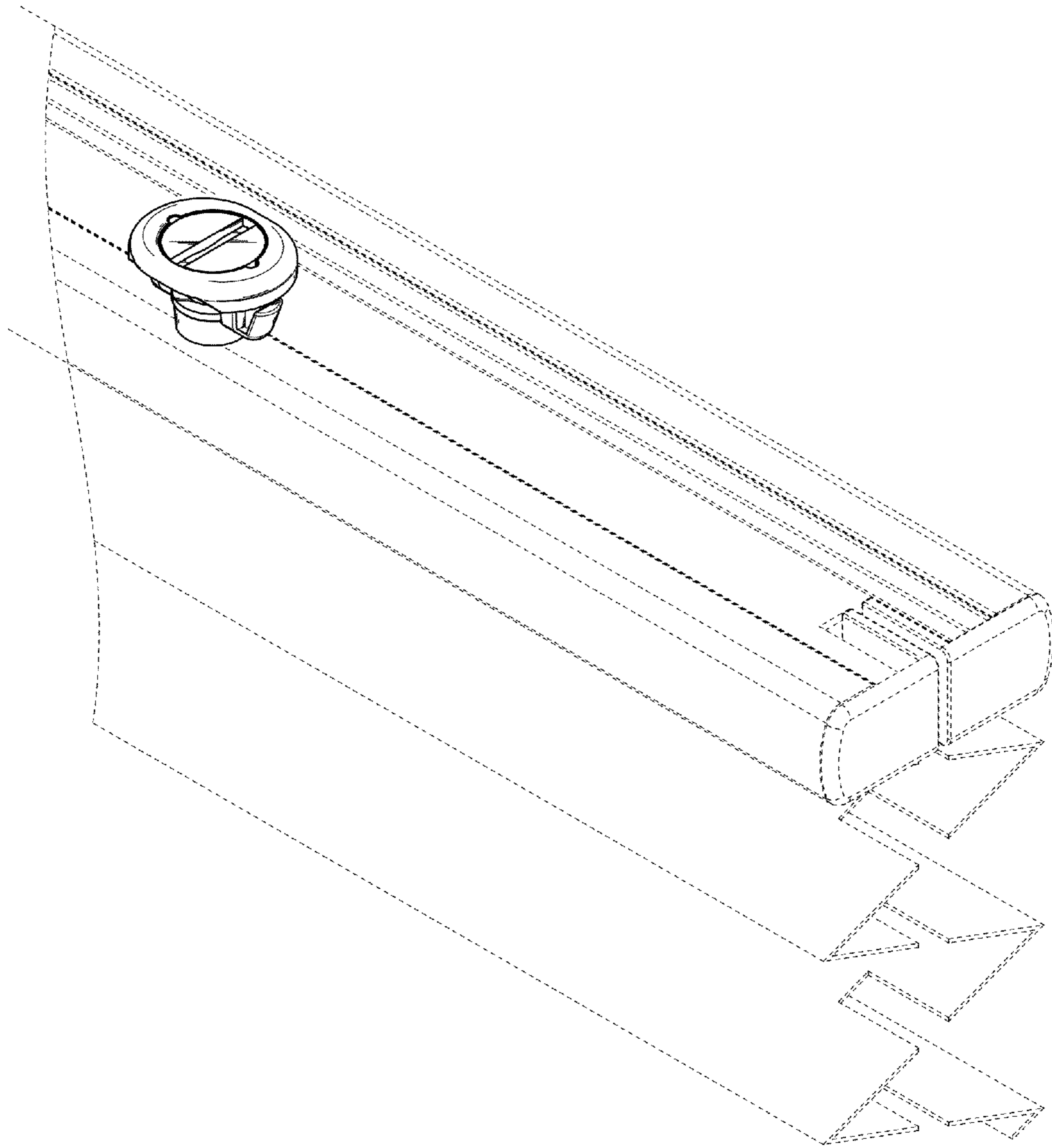
***FIG. 18***



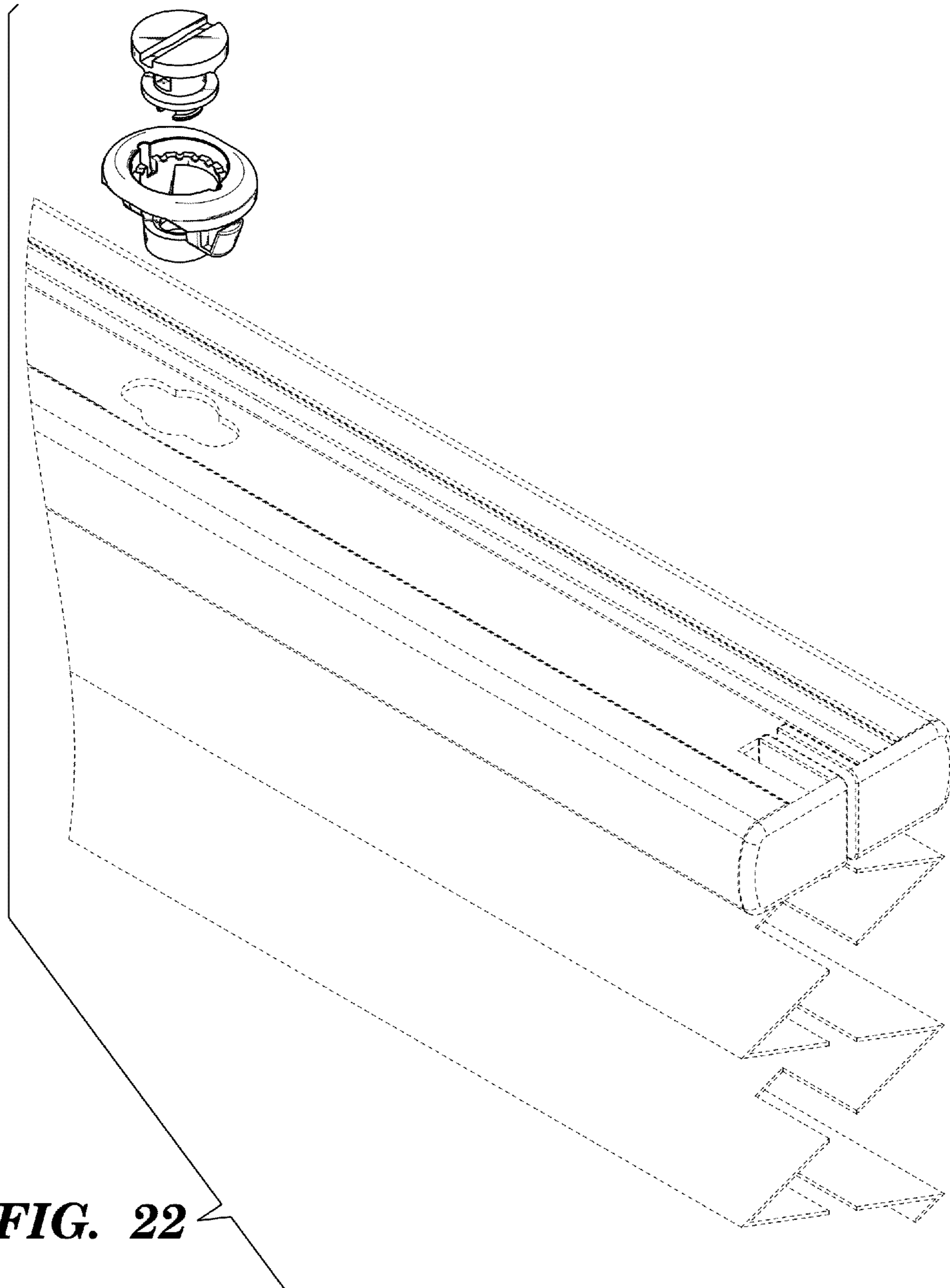
***FIG. 19***



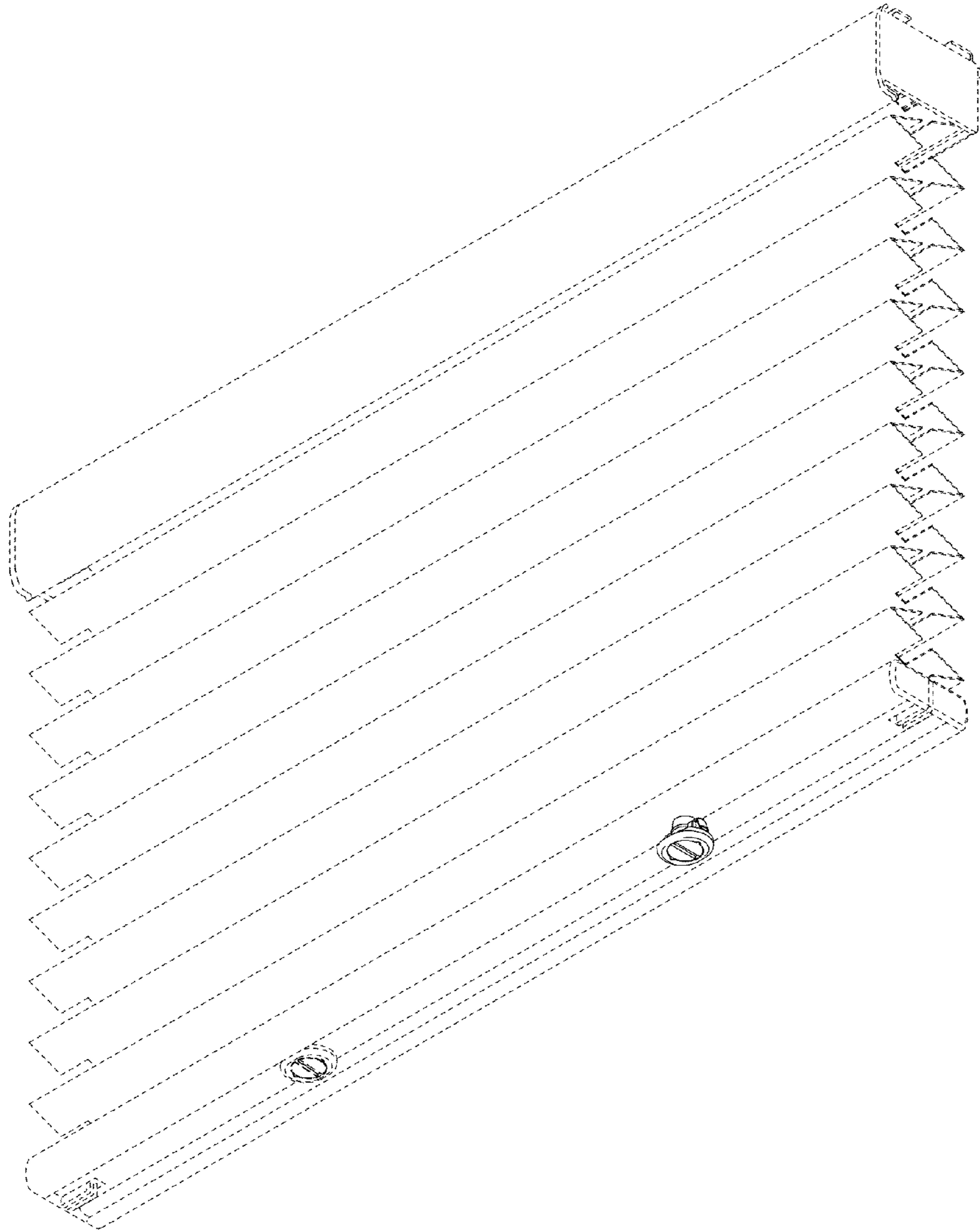
***FIG. 20***



**FIG. 21**

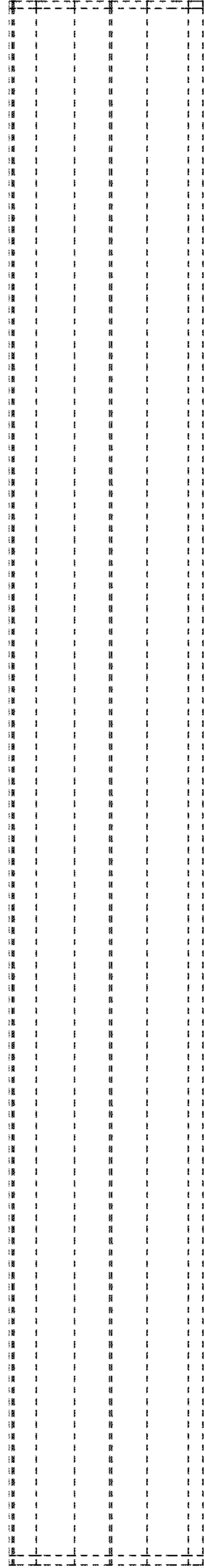


**FIG. 22**

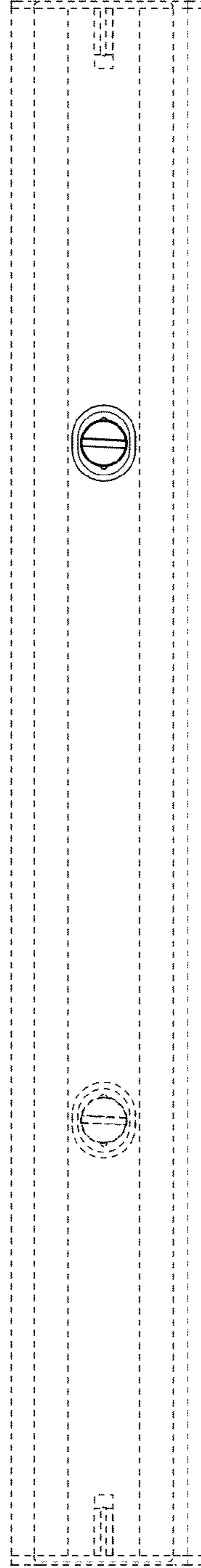


**FIG. 23**

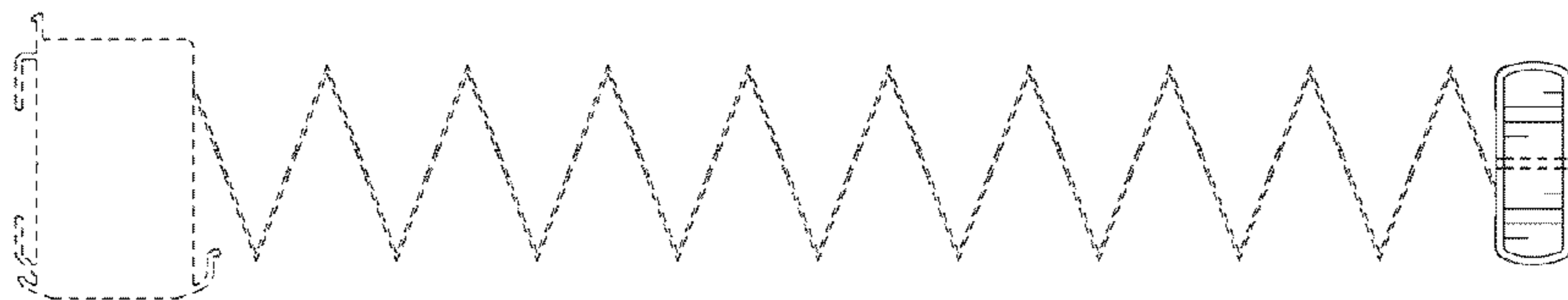




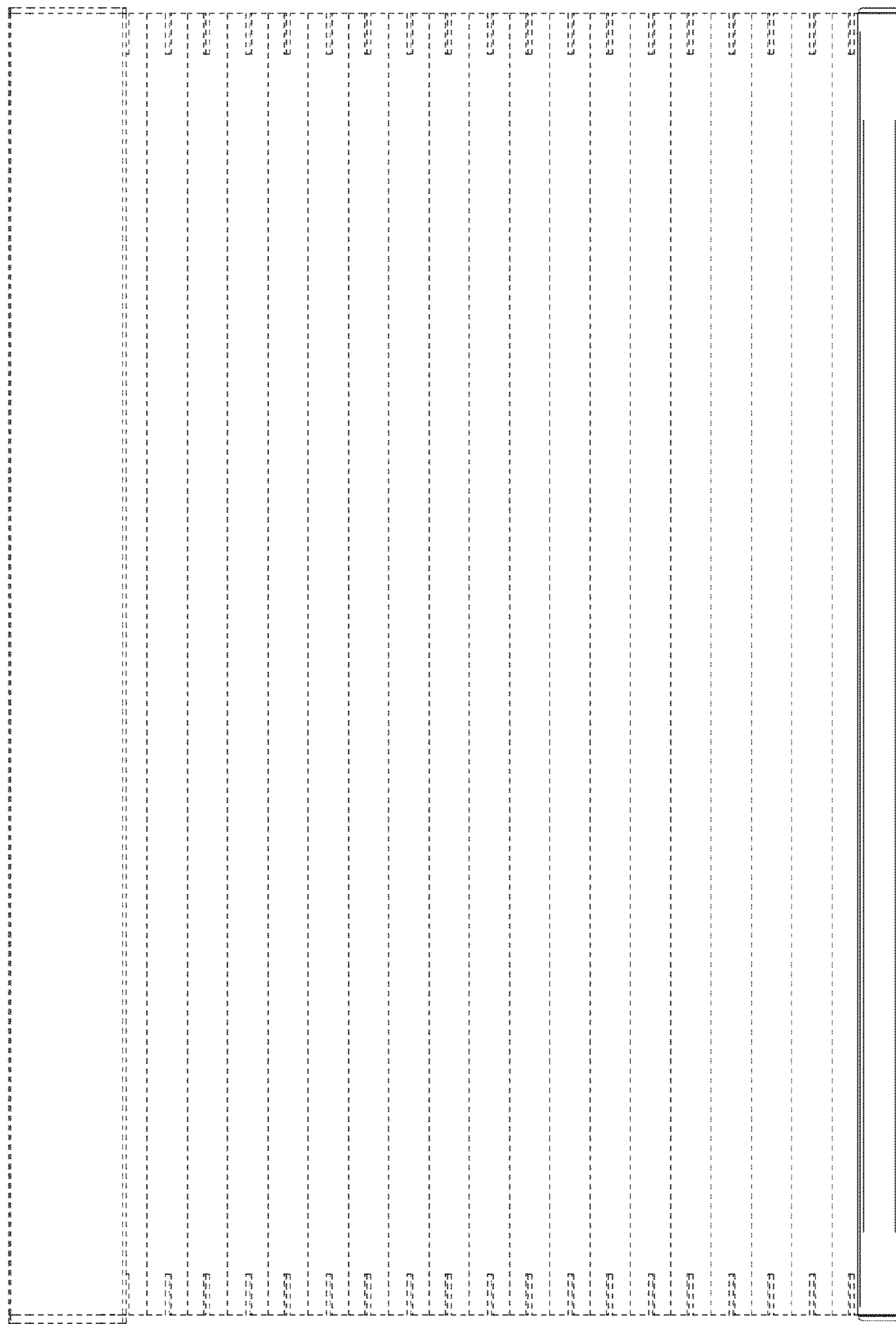
**FIG. 24**



**FIG. 25**



**FIG. 27**



**FIG. 26**