



US00D733455S

(12) **United States Design Patent**
Watson et al.

(10) **Patent No.:** **US D733,455 S**
(45) **Date of Patent:** **** Jul. 7, 2015**

- (54) **FLUID CARTRIDGE ASSEMBLY**
- (71) Applicants: **Ben James Watson**, Hertfordshire (GB);
Neil Baron, London (GB)
- (72) Inventors: **Ben James Watson**, Hertfordshire (GB);
Neil Baron, London (GB)
- (73) Assignee: **NSE Products, Inc.**, Provo, UT (US)

- 5,351,862 A 10/1994 Weag
- 5,385,270 A 1/1995 Cataneo et al.
- 5,568,883 A 10/1996 Cataneo et al.
- D378,642 S 4/1997 DeGennaro
- 5,645,193 A 7/1997 Gentile et al.
- D386,345 S 11/1997 Juarez
- 5,848,732 A 12/1998 Brugger
- D404,950 S * 2/1999 Burch D6/545
- 5,865,345 A 2/1999 Cistone et al.
- 5,947,335 A 9/1999 Milio et al.

(Continued)

(**) Term: **14 Years**

FOREIGN PATENT DOCUMENTS

(21) Appl. No.: **29/473,248**

- CN 1217278 A 5/1999
- CN 1234779 A 11/1999

(22) Filed: **Nov. 20, 2013**

(Continued)

(51) **LOC (10) Cl.** **23-02**

(52) **U.S. Cl.**
USPC **D6/542**

OTHER PUBLICATIONS

(58) **Field of Classification Search**
USPC D6/542, 545; D9/600, 652, 667,
D9/695–697, 702, 707–711, 723, 729–733,
D9/516, 520–521, 547, 551; 206/457, 822;
215/230, 400; 220/890; 221/181.2

VariBlend Dual Dispensing Systems, "How it Works," from <<http://www.variblend.com/how-it-works/>>.

Primary Examiner — Brian N Vinson
(74) *Attorney, Agent, or Firm* — Dorsey & Whitney LLP

See application file for complete search history.

(57) **CLAIM**

(56) **References Cited**

The ornamental design for a fluid cartridge assembly, as shown and described.

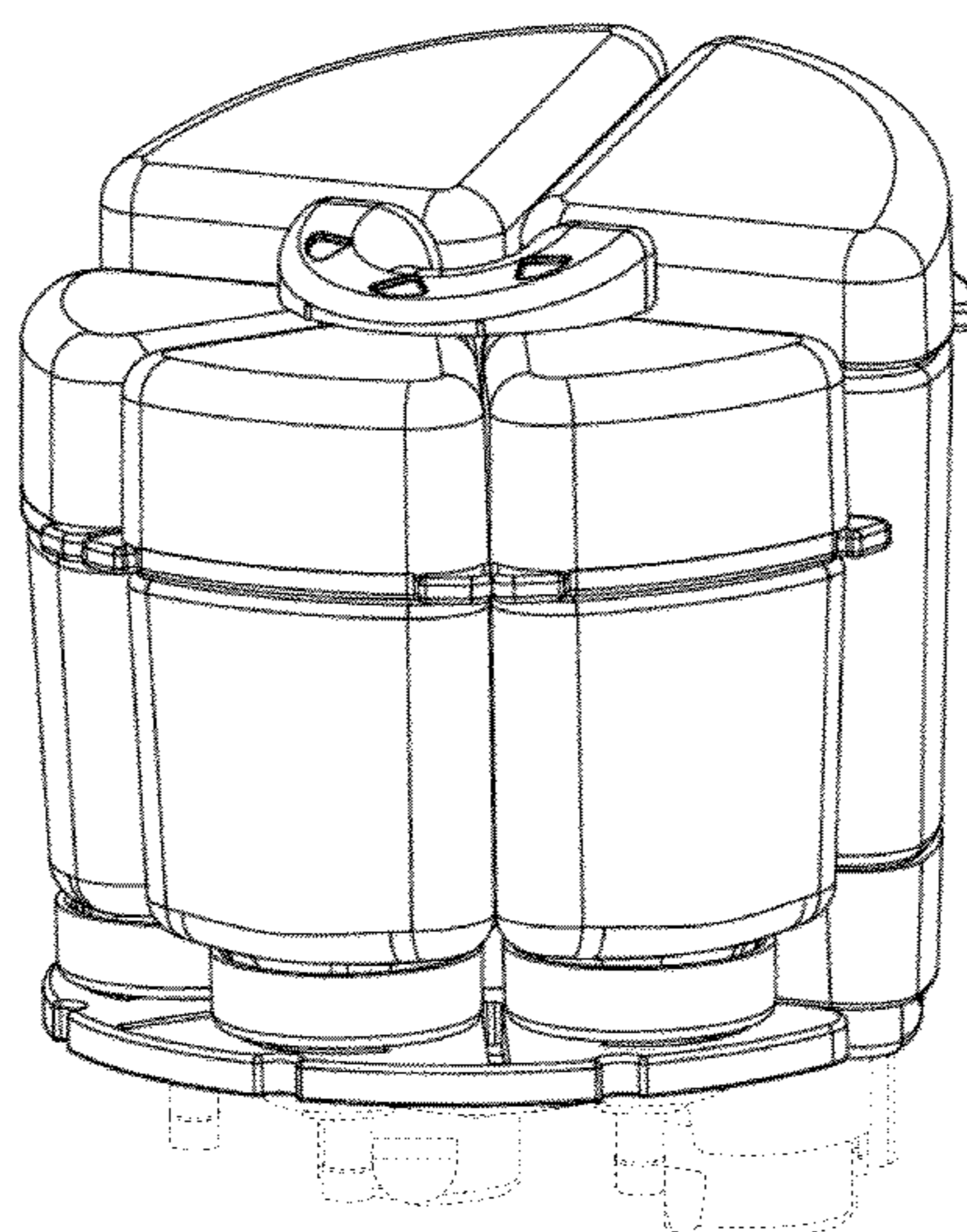
U.S. PATENT DOCUMENTS

DESCRIPTION

- 3,236,418 A 2/1966 Dalle et al.
- 3,876,112 A 4/1975 Kramer
- D246,212 S 11/1977 Keck et al.
- 4,139,114 A 2/1979 Long et al.
- D252,783 S 9/1979 Rizzuto
- 4,335,837 A 6/1982 Bono
- 4,549,674 A 10/1985 Alticosalian
- 4,826,048 A 5/1989 Skorka et al.
- D317,383 S 6/1991 Brill et al.
- D319,364 S 8/1991 Steiner
- D330,138 S 10/1992 Riendl
- 5,169,029 A 12/1992 Behar et al.
- 5,174,476 A * 12/1992 Steiner et al. 222/181.2
- D332,544 S * 1/1993 Steiner et al. D6/545
- 5,186,360 A 2/1993 Mease et al.

FIG. 1 is a front view of the fluid cartridge assembly.
FIG. 2 is a back view of the fluid cartridge assembly.
FIG. 3 is a top view of the fluid cartridge assembly.
FIG. 4 is a bottom view of the fluid cartridge assembly; and,
FIG. 5 is an isometric view of the fluid cartridge assembly,
showing front and top.
The broken lines in the drawings are for the purposes of
illustrating environment only, and form no part of the claimed
design.

1 Claim, 4 Drawing Sheets



(56)

References Cited

U.S. PATENT DOCUMENTS

6,006,948 A 12/1999 Auer
 6,082,580 A 7/2000 Mueller et al.
 6,082,588 A 7/2000 Markey et al.
 6,230,935 B1 5/2001 Mack et al.
 D443,780 S * 6/2001 Kauzlarich et al. D6/542
 6,299,023 B1 10/2001 Arnone
 D456,663 S 5/2002 Chew
 6,454,135 B1 9/2002 Brozell
 6,499,900 B1 12/2002 Brozell
 D471,047 S * 3/2003 Gordon et al. D6/545
 6,557,729 B2 5/2003 Gauthier
 6,640,999 B2 11/2003 Peterson
 6,648,641 B1 11/2003 Viltro et al.
 D483,974 S 12/2003 Reed
 6,715,642 B2 4/2004 Engel et al.
 6,722,532 B2 4/2004 Lasserre et al.
 7,063,235 B2 6/2006 Auer
 7,124,914 B2 10/2006 Foster et al.
 7,222,752 B2 5/2007 Ponton
 7,247,140 B2 7/2007 Ophardt
 D554,408 S 11/2007 Scorgie
 D560,087 S 1/2008 Sellers et al.
 D564,273 S 3/2008 Yang et al.
 7,461,987 B2 12/2008 Liechty et al.
 7,510,101 B2 3/2009 Foster et al.
 7,651,035 B2 1/2010 van der Heijden
 D609,305 S 2/2010 Riendeau
 7,654,415 B2 2/2010 van der Heijden
 7,793,799 B2 9/2010 Reggiani
 7,795,584 B2 9/2010 Mok et al.
 7,854,350 B2 12/2010 Lasserre et al.
 D637,848 S 5/2011 Kramer et al.
 8,021,064 B2 9/2011 Gueret
 D655,115 S 3/2012 Binderbauer et al.
 D658,915 S * 5/2012 Fernandes et al. D6/542
 D661,933 S * 6/2012 DelGigante et al. D6/542
 D665,610 S 8/2012 Kanfer et al.

8,245,877 B2 8/2012 Ophardt
 D668,492 S 10/2012 Brown
 8,292,126 B2 10/2012 Pittaway et al.
 8,294,585 B2 10/2012 Barnhill
 D671,346 S 11/2012 Zlatic et al.
 8,344,893 B1 1/2013 Drammeh
 8,395,396 B2 3/2013 Hagleitner
 8,418,887 B2 4/2013 Milian et al.
 2001/0025859 A1 10/2001 Dumont
 2003/0006247 A1 1/2003 Olivier et al.
 2003/0194678 A1 10/2003 Viltro et al.
 2004/0016773 A1 1/2004 Wagner
 2004/0226962 A1 11/2004 Mazursky et al.
 2006/0163282 A1 7/2006 Suzuki
 2007/0289997 A1 12/2007 Lewis et al.
 2008/0149126 A1 6/2008 Abergel
 2009/0140004 A1 6/2009 Scorgie
 2009/0179047 A1 7/2009 Foster et al.
 2009/0184137 A1 7/2009 O'Brien
 2010/0044394 A1 2/2010 Milian et al.
 2010/0108779 A1 5/2010 Filsouf
 2011/0101021 A1 5/2011 Greer et al.
 2011/0303695 A1 12/2011 Fern
 2012/0031925 A1 2/2012 Greenberg
 2012/0279990 A1 11/2012 Werner et al.
 2012/0298694 A1 11/2012 Holzmann

FOREIGN PATENT DOCUMENTS

CN 1349919 A 10/2001
 CN 1474672 A 11/2001
 CN 1532400 A 9/2004
 CN 1754788 A 4/2006
 CN 1803062 A 7/2006
 CN 200988015 Y 12/2007
 GB 2307674 A 6/1997
 JP 2009132438 A 6/2009
 WO WO2006006058 A2 1/2006
 WO WO2010003091 A1 1/2010

* cited by examiner

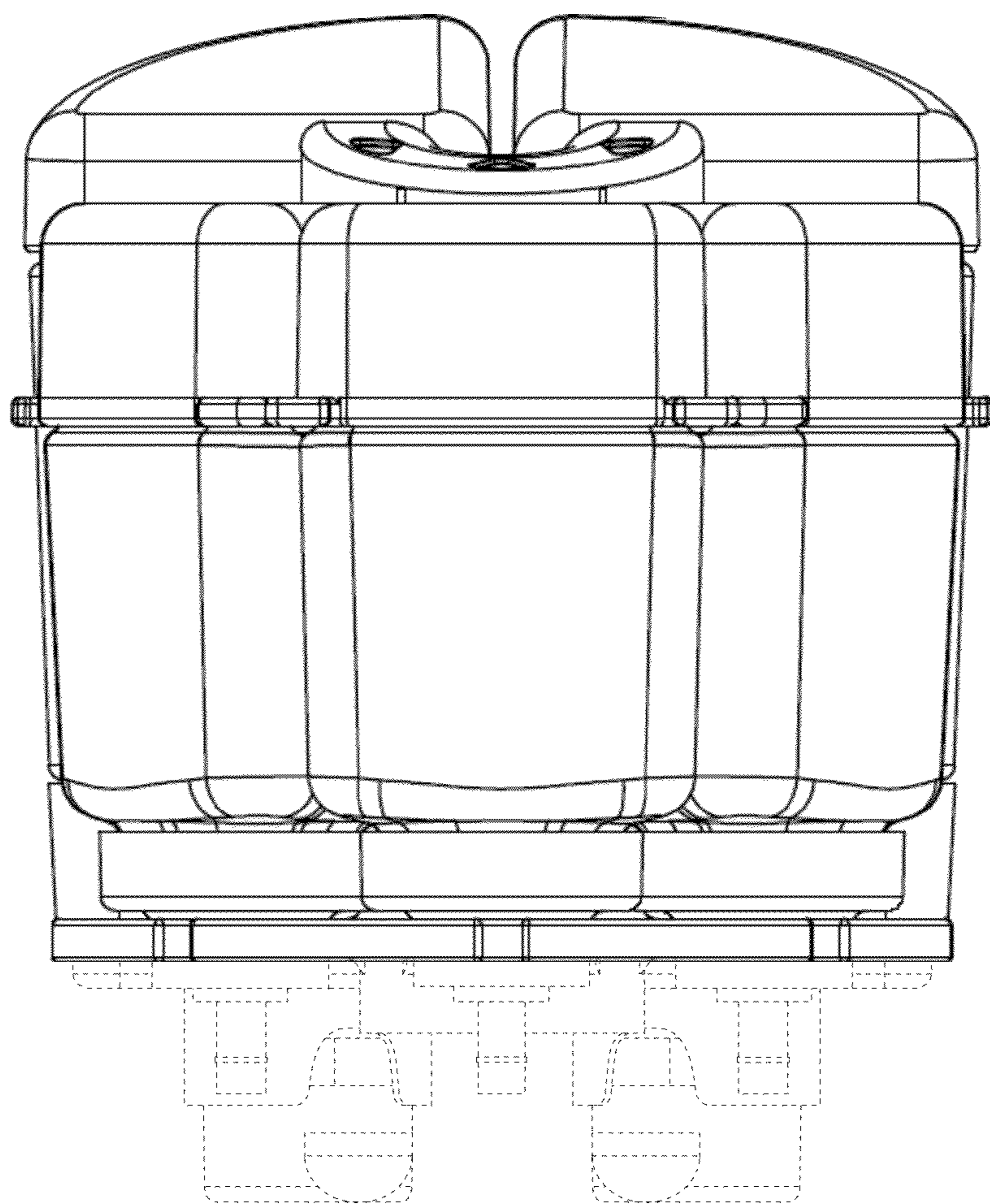


Fig. 1

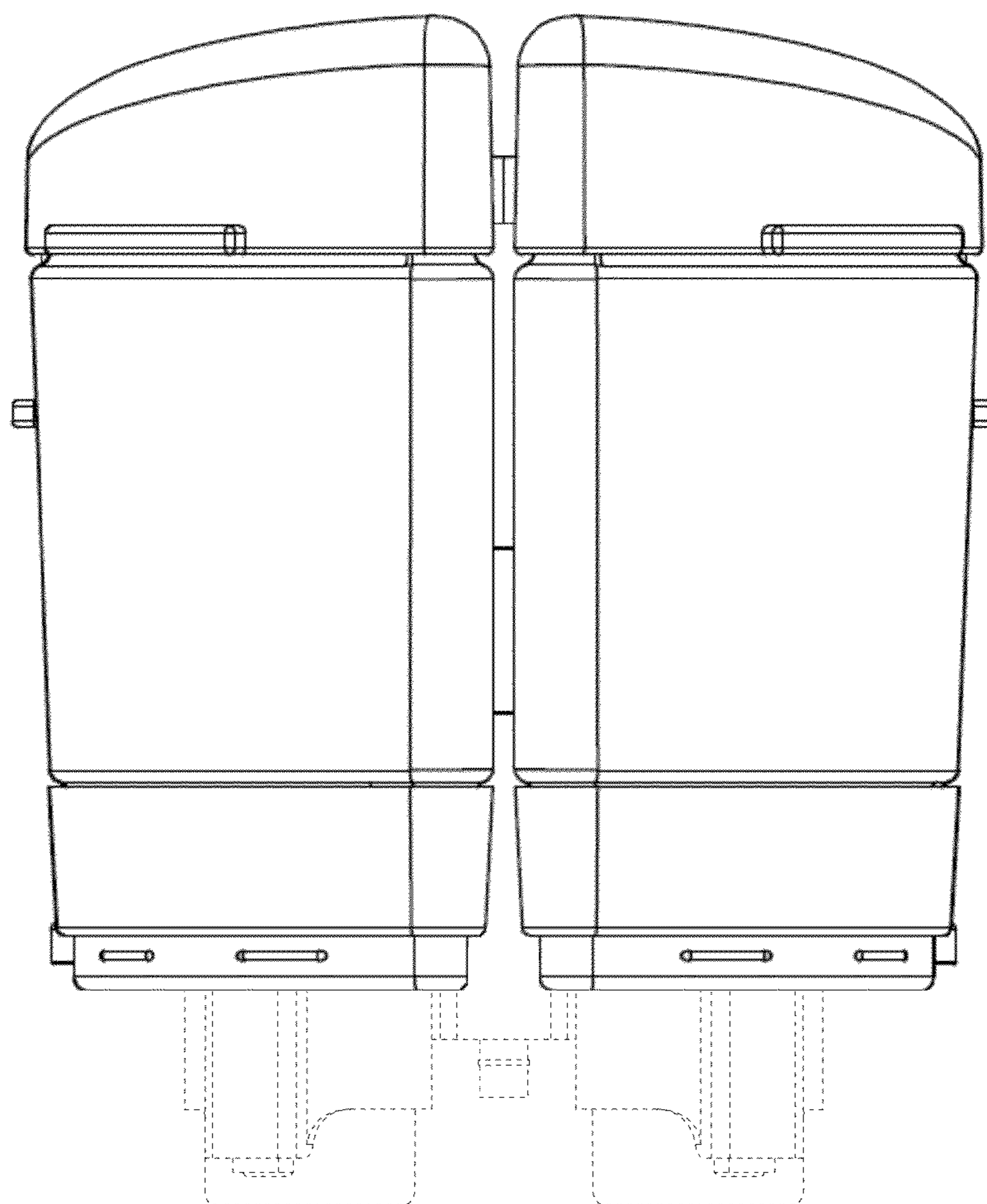


Fig. 2

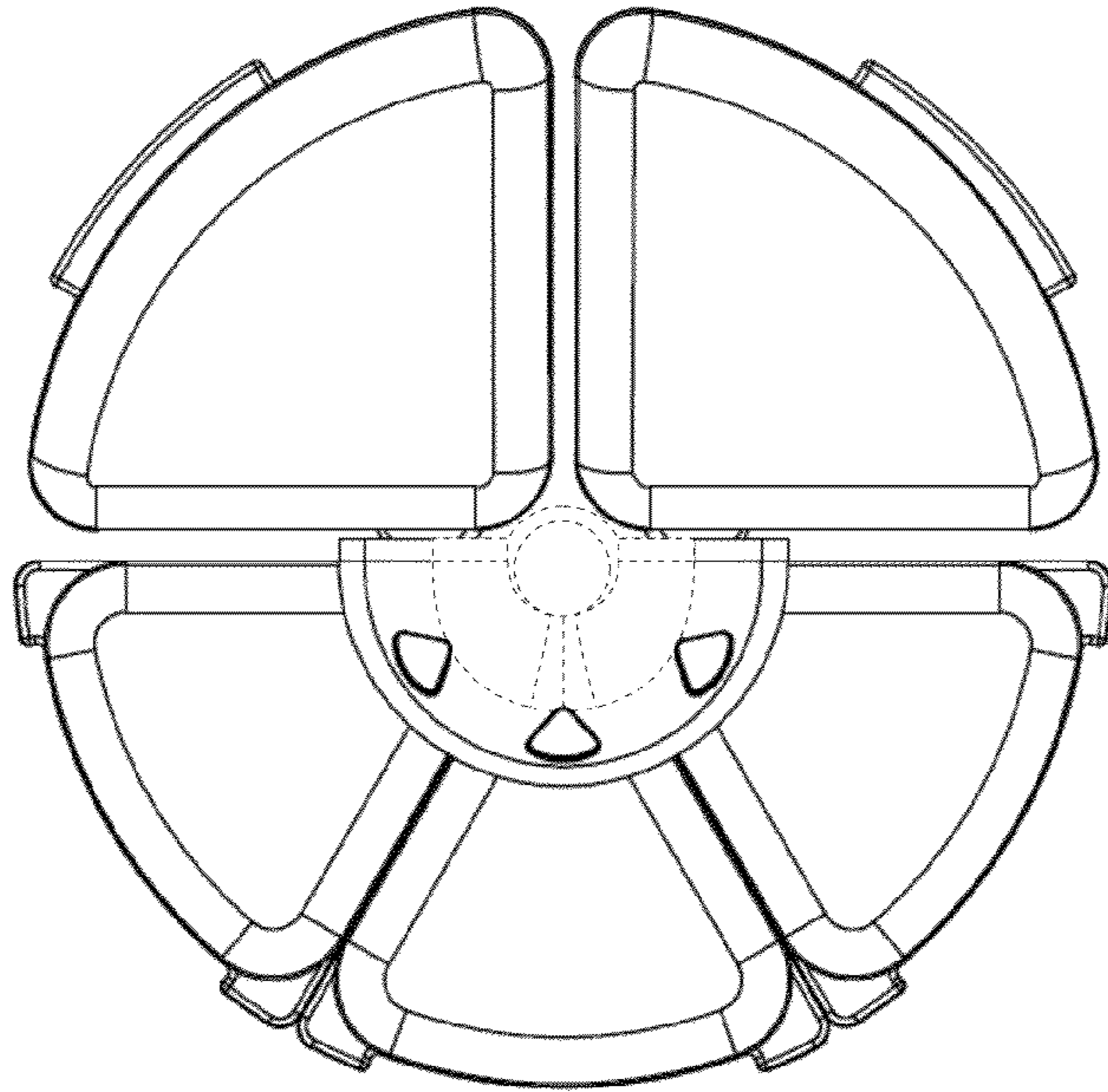


Fig. 3

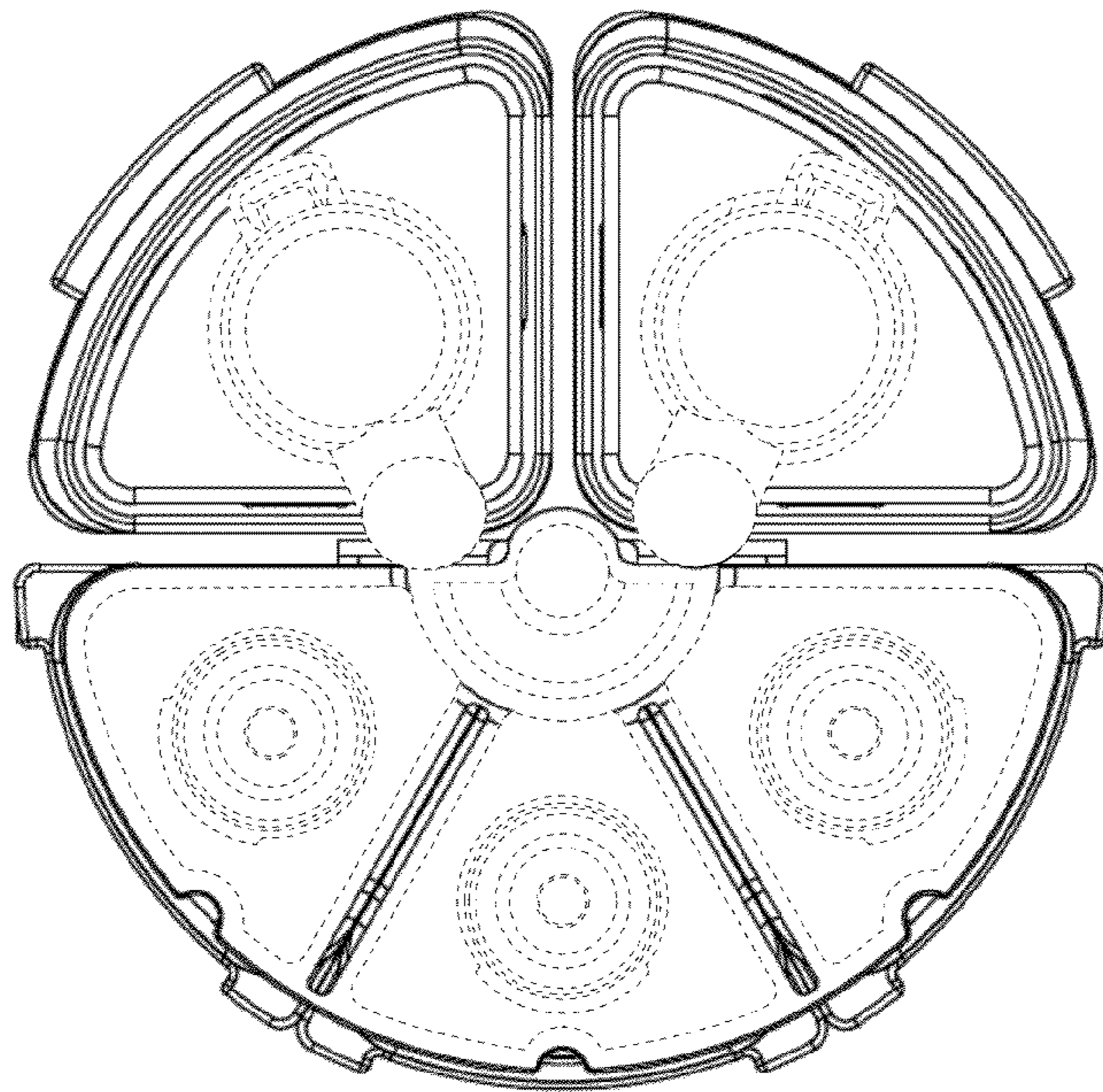


Fig. 4

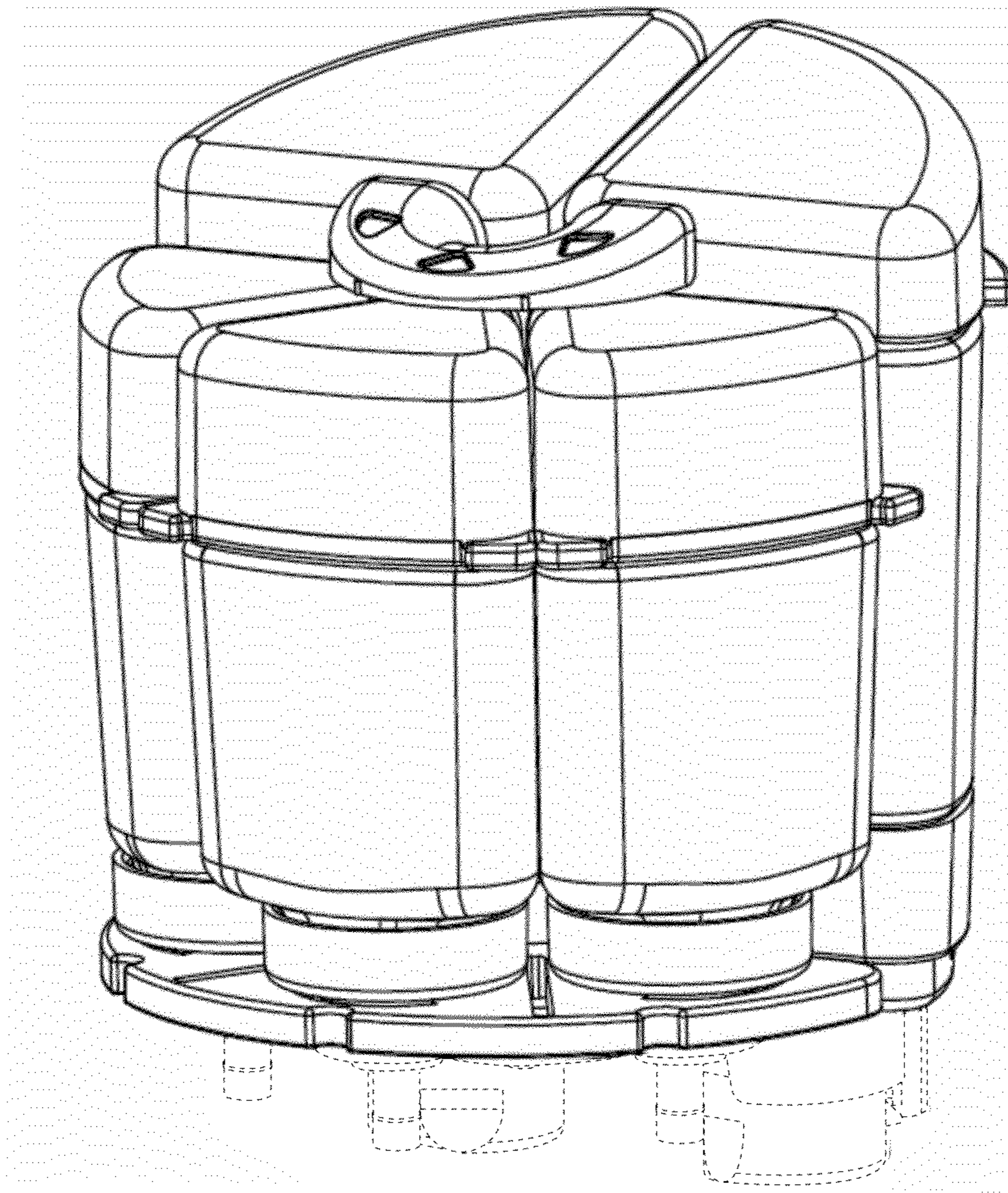


Fig. 5