



US00D733454S

(12) **United States Design Patent**
Von Heifner et al.

(10) **Patent No.:** **US D733,454 S**
(45) **Date of Patent:** **** Jul. 7, 2015**

(54) **DISPENSER**

(71) Applicant: **Makefield LLC**, Newtown, PA (US)
(72) Inventors: **Christian Von Heifner**, Brooklyn, NY (US); **Dale Trigger**, Brooklyn, NY (US); **Kalyan C. Vepuri**, Newtown, PA (US); **Kutadgu Akdogan**, New York, NY (US)
(73) Assignee: **Makefield LLC**, Newtown, PA (US)

(**) Term: **14 Years**

(21) Appl. No.: **29/485,104**

(22) Filed: **Mar. 14, 2014**

(51) **LOC (10) Cl.** **20-02**

(52) **U.S. Cl.**
USPC **D6/515**

(58) **Field of Classification Search**
USPC D3/203.2, 203.1, 203.3, 203.4, 201, D3/205, 294; D6/515, 512; D7/300, 300.1, D7/550, 511, 591; D24/110.1
CPC ... G07F 17/0092; G07F 11/005; G07F 11/22; A47F 1/08

See application file for complete search history.

(56) **References Cited**

U.S. PATENT DOCUMENTS

D541,088 S * 4/2007 Nesci D6/515
D585,223 S * 1/2009 Rust D6/515
D679,527 S * 4/2013 Schick D6/515

* cited by examiner

Primary Examiner — Brian N Vinson
(74) *Attorney, Agent, or Firm* — Strategic Patents, P.C.

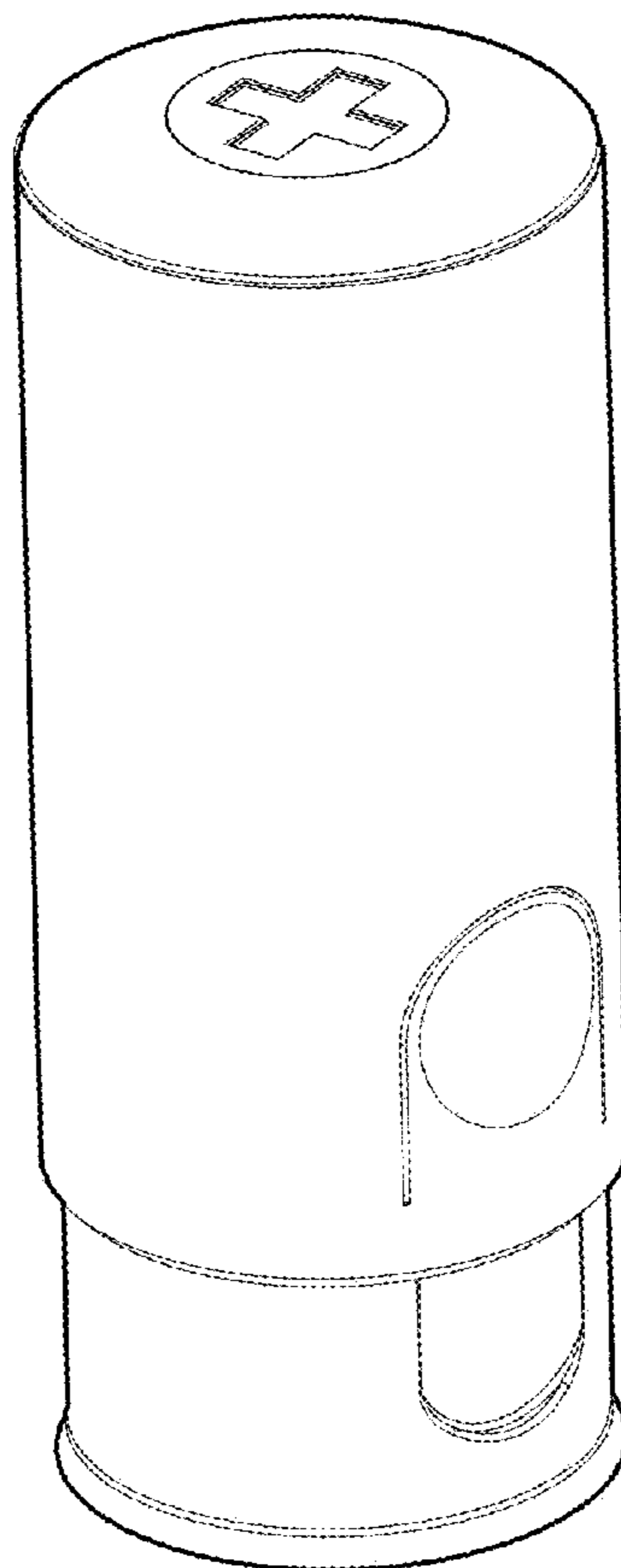
(57) **CLAIM**

The ornamental design for a dispenser, as shown and described.

DESCRIPTION

FIG. 1 is a top perspective view of a design for a dispenser.
FIG. 2 is a bottom perspective view of the design.
FIG. 3 is a left side view of the design.
FIG. 4 is a right side view of the design.
FIG. 5 is a front view of the design.
FIG. 6 is a back view of the design.
FIG. 7 is a top view of the design; and,
FIG. 8 is a bottom view of the design.
The broken lines showing portions of the dispenser are for illustrative purposes only and form no part of the claimed design.

1 Claim, 4 Drawing Sheets



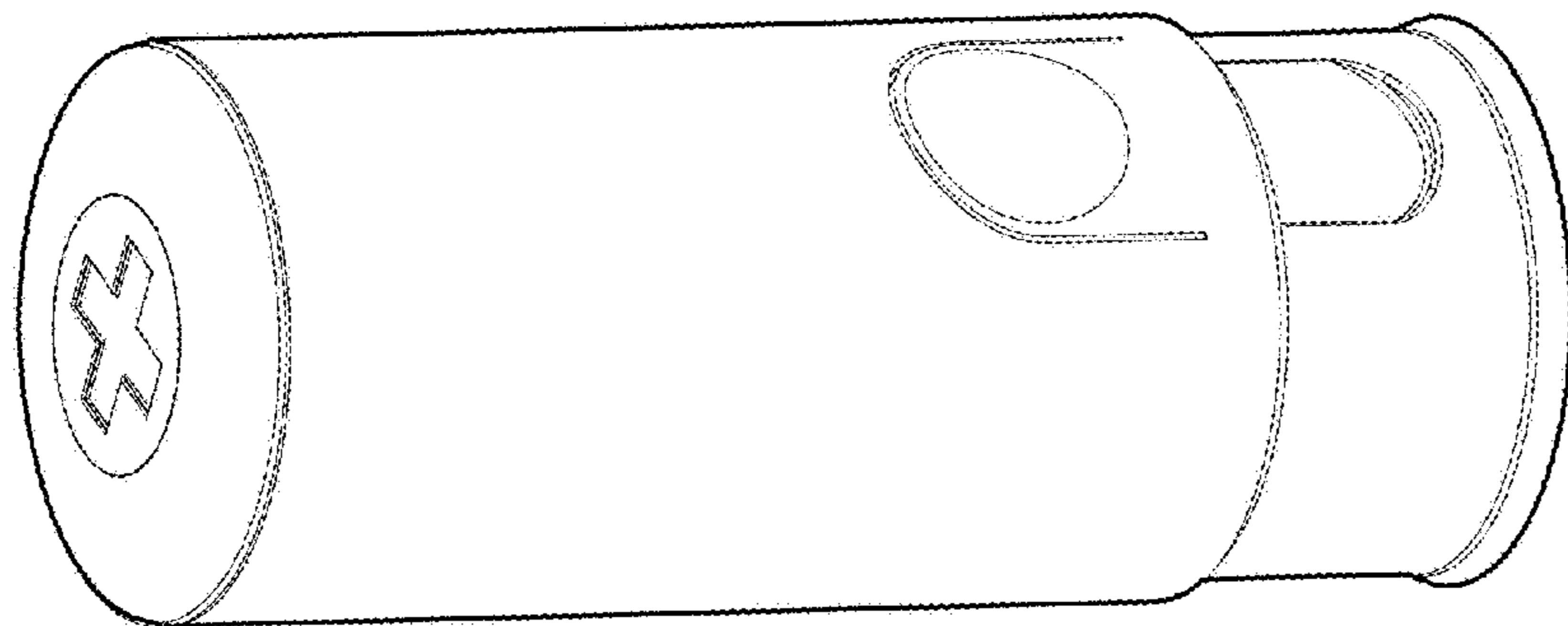


Fig. 1

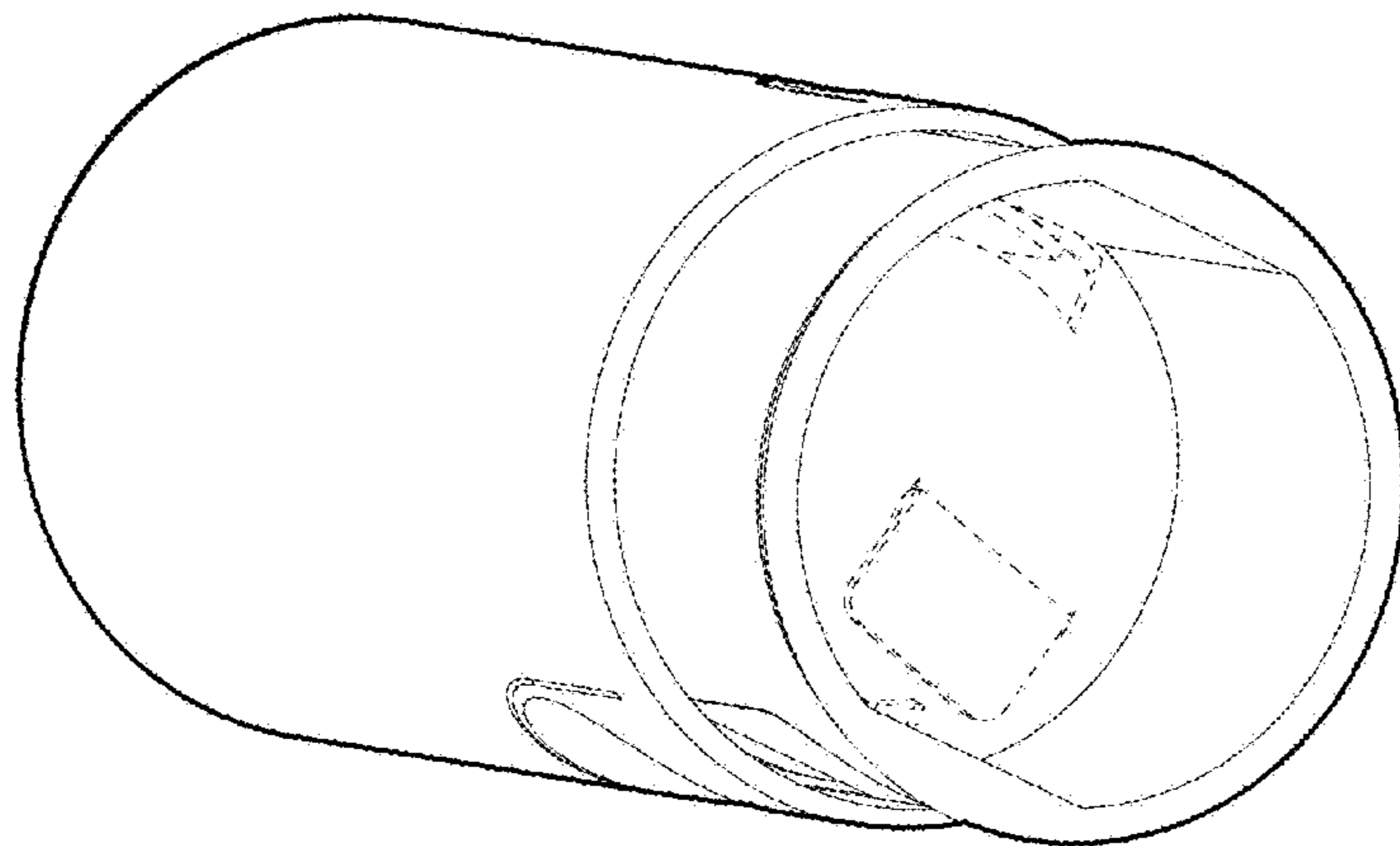


Fig. 2

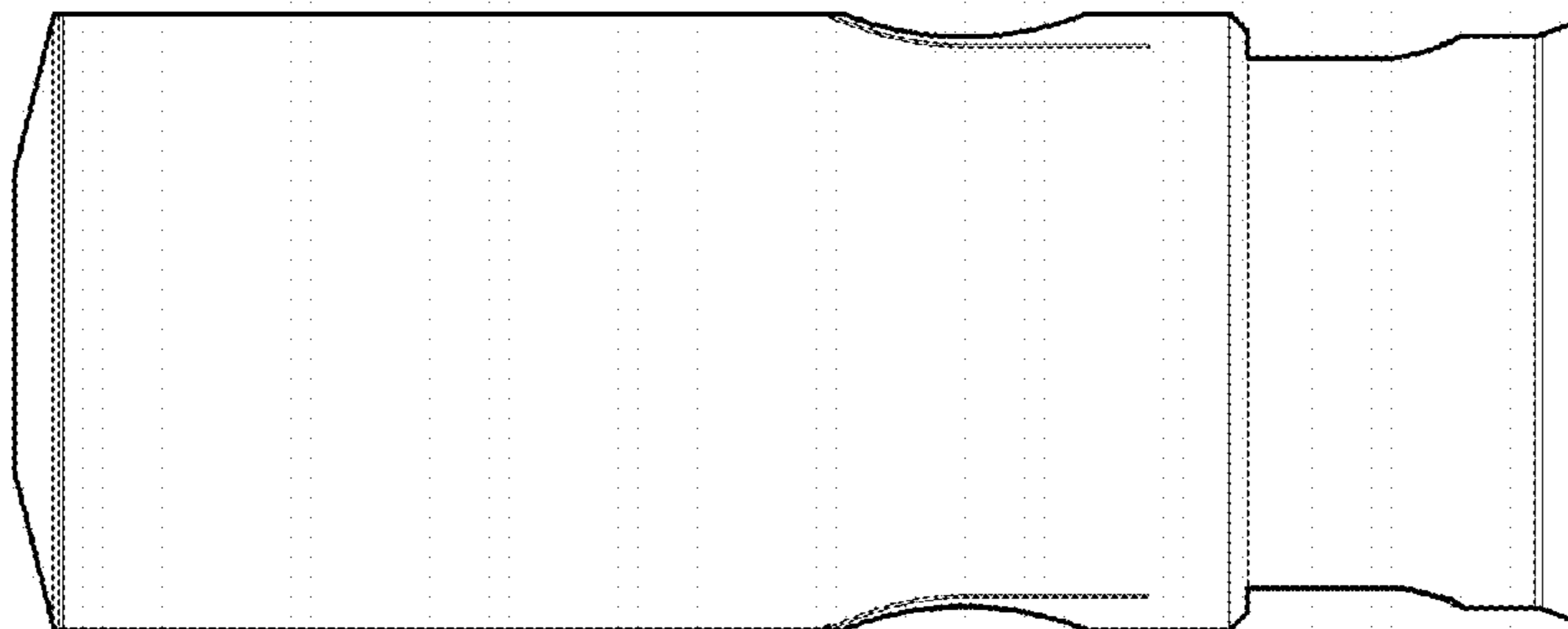


Fig. 3

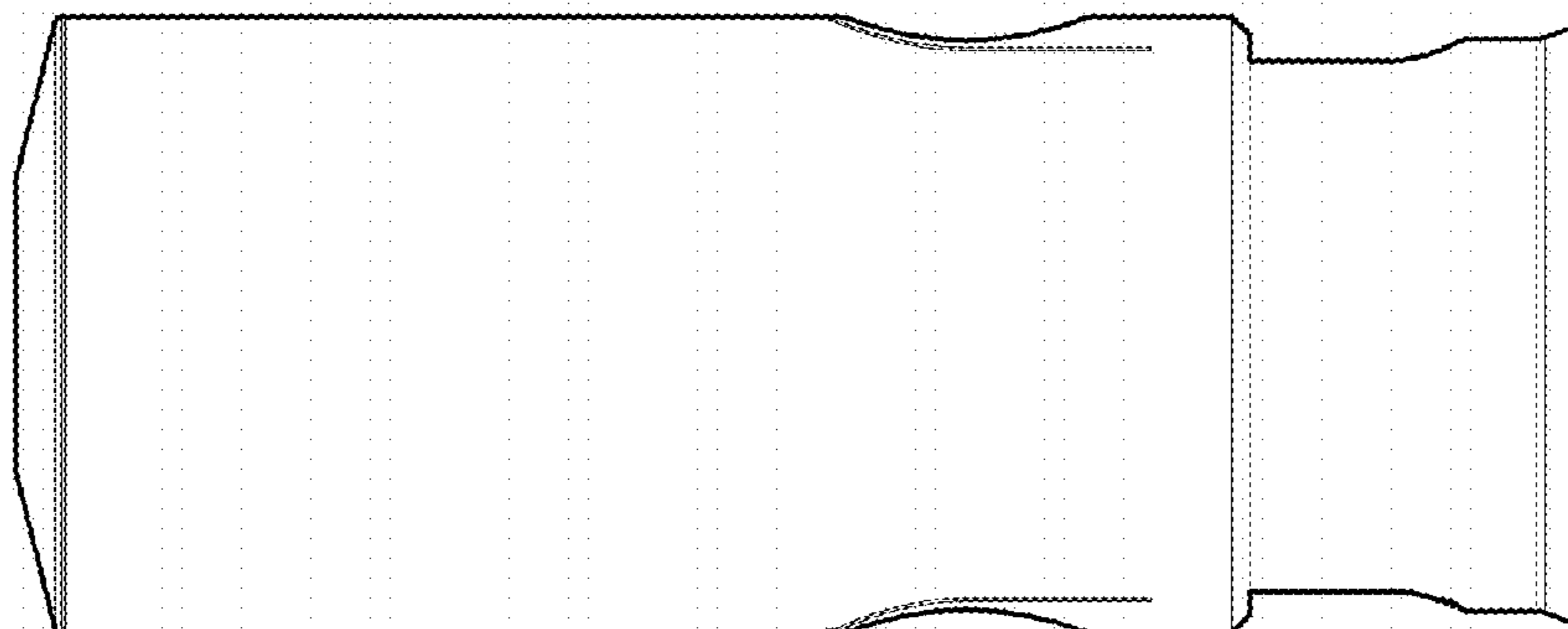


Fig. 4

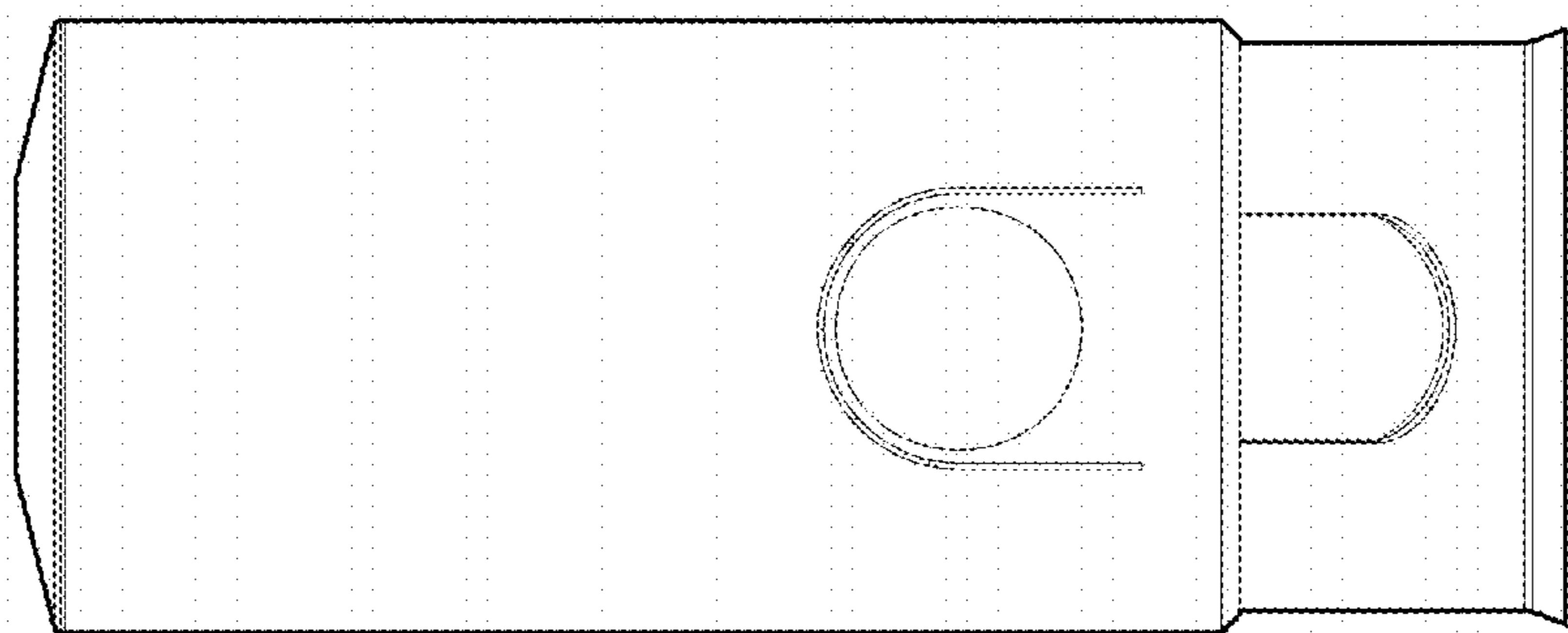


Fig. 5

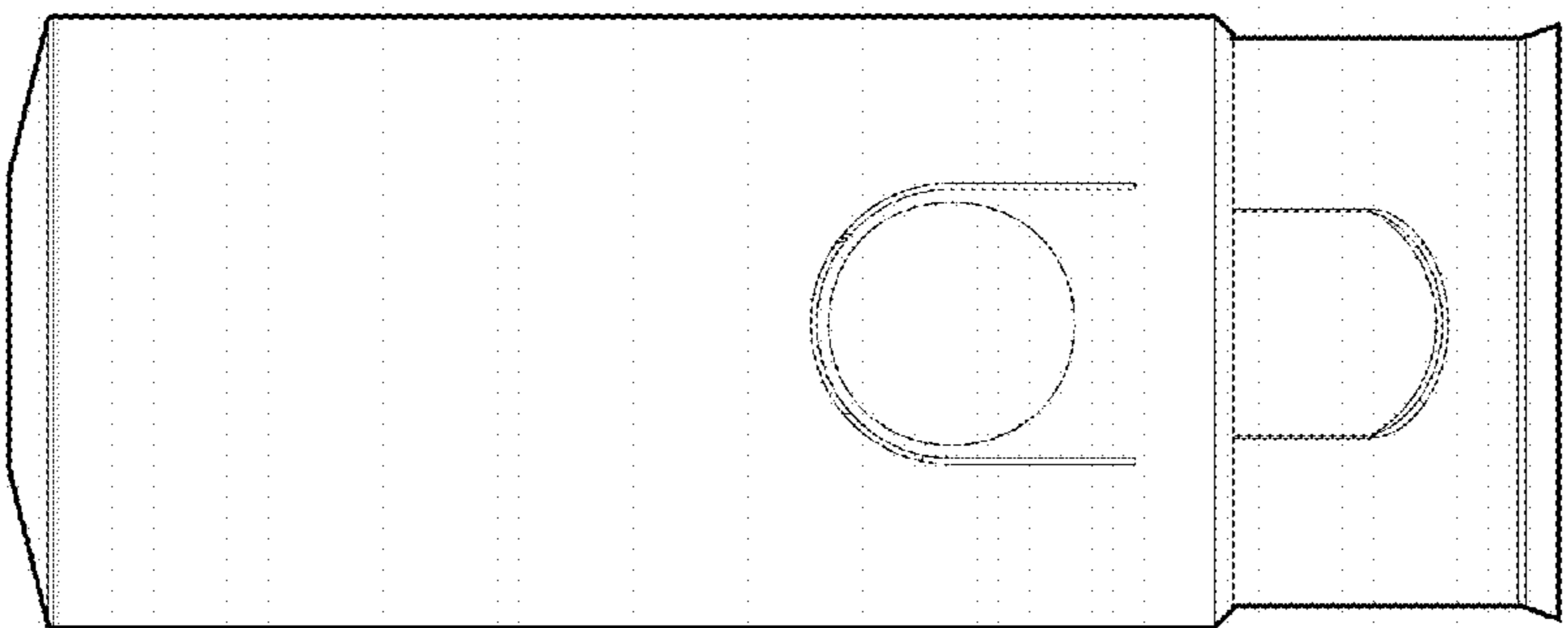


Fig. 6

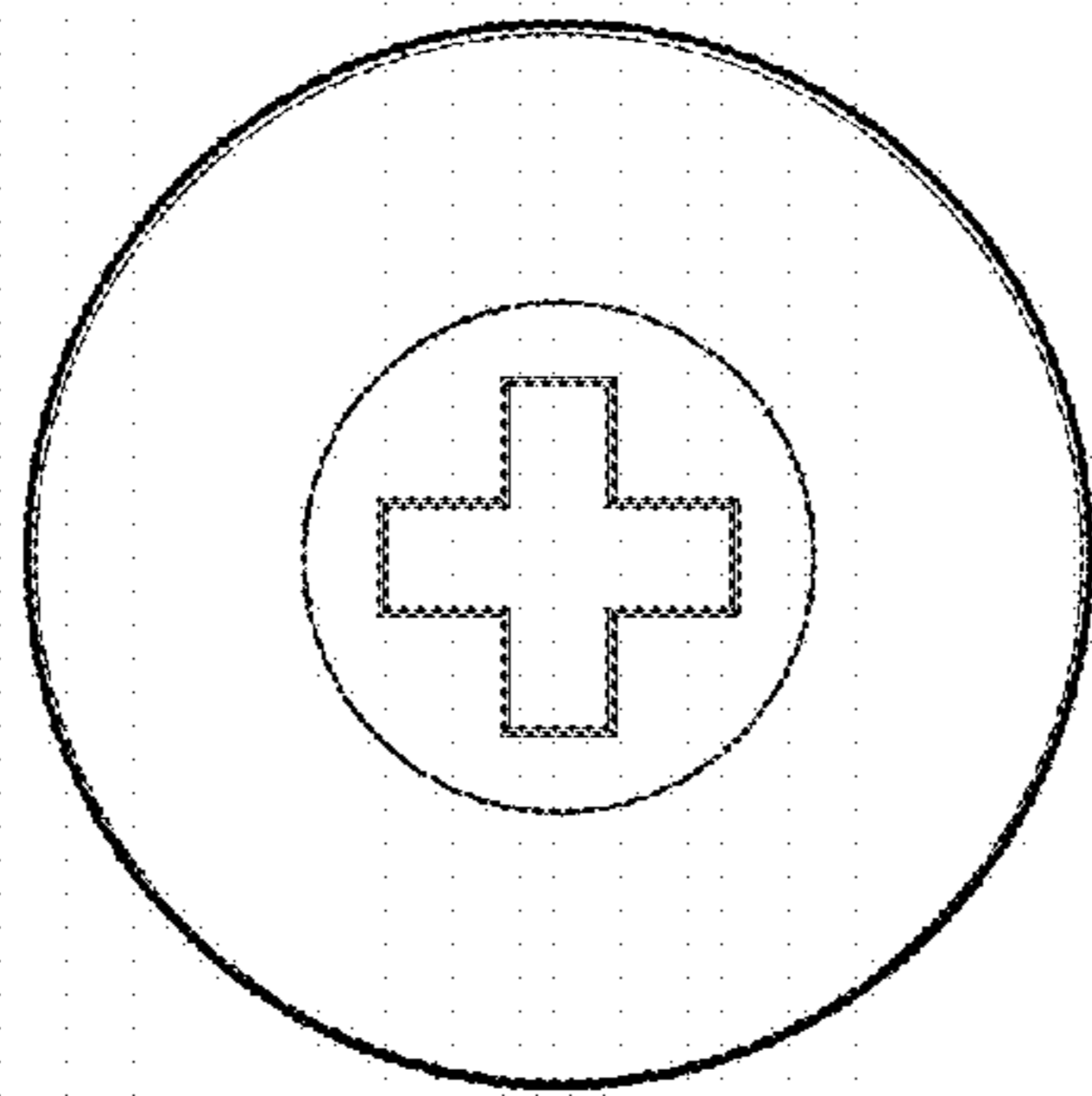


Fig. 7

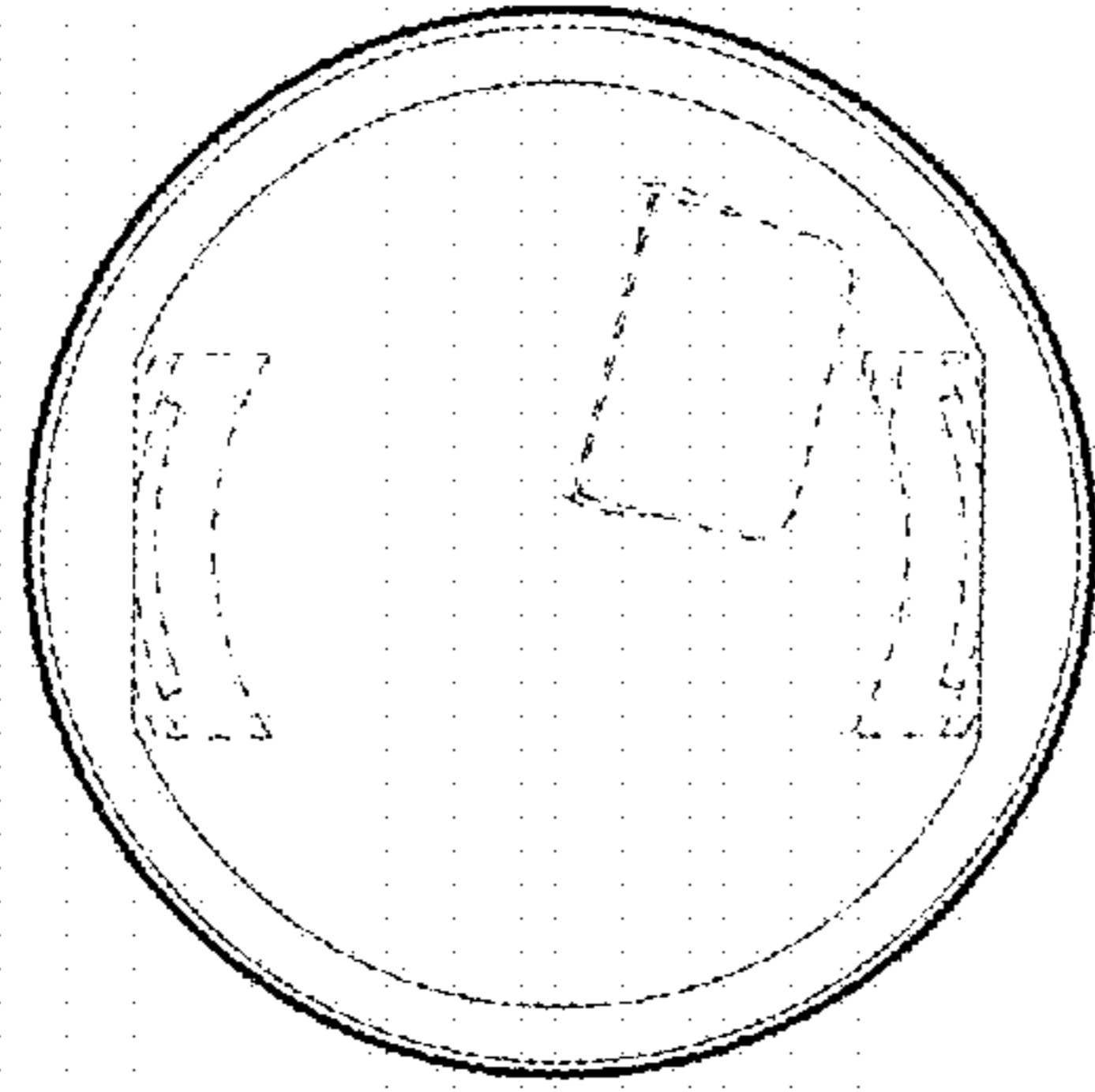


Fig. 8