



US00D733447S

(12) **United States Design Patent**
Hayashi

(10) **Patent No.:** **US D733,447 S**
(45) **Date of Patent:** **** Jul. 7, 2015**

(54) **MESSAGE MACHINE**

(71) Applicant: **Family Inada Co., Ltd.**, Osaka (JP)

(72) Inventor: **Ryosuke Hayashi**, Tottori (JP)

(73) Assignee: **Family Inada Co., Ltd.**, Osaka (JP)

(**) Term: **14 Years**

(21) Appl. No.: **29/477,113**

(22) Filed: **Dec. 19, 2013**

(30) **Foreign Application Priority Data**

Jun. 25, 2013 (JP) D2013-014367

(51) **LOC (10) Cl.** **06-01**

(52) **U.S. Cl.**
USPC **D6/367**

(58) **Field of Classification Search**
USPC D6/334-336, 361, 367, 371, 373, 379,
D6/716, 716.1, 716.2, 716.3, 716.4
CPC A47C 1/0352; A47C 7/50; A47C 7/506;
A61G 2005/128; A61G 5/12; A61H 1/003;
A61H 2201/1669; A61H 15/0078; A61H
7/001; A61H 23/04
See application file for complete search history.

(56) **References Cited**

U.S. PATENT DOCUMENTS

D365,217 S * 12/1995 Yamauchi et al. D6/367
D397,259 S * 8/1998 Chatani et al. D6/367
D402,479 S * 12/1998 Inada D6/361
D502,607 S * 3/2005 Miyake et al. D6/335
D503,048 S * 3/2005 Inada et al. D6/367

D511,900 S * 11/2005 Inada et al. D6/367
D517,338 S * 3/2006 Inada et al. D6/367
D536,897 S * 2/2007 Pupak D6/367
D538,056 S * 3/2007 Lifeng D6/367
D565,855 S * 4/2008 Takahashi et al. D6/367

* cited by examiner

Primary Examiner — Mimoso De

(74) *Attorney, Agent, or Firm* — Fishman Stewart Yamaguchi PLLC

(57) **CLAIM**

The ornamental design for a massage machine, as shown and described.

DESCRIPTION

FIG. 1 is a perspective view of a massage machine showing my new design;
FIG. 2 is a front elevational view thereof;
FIG. 3 is a rear elevational view thereof;
FIG. 4 is a right side elevational view thereof, a left side elevational view thereof being a mirror image;
FIG. 5 is a top plan view thereof; and
FIG. 6 is a bottom plan view thereof.
FIG. 7 is a perspective view of another embodiment of a massage machine showing my new design;
FIG. 8 is a front elevational view thereof;
FIG. 9 is a rear elevational view thereof;
FIG. 10 is a right side elevational view thereof, a left side elevational view thereof being a mirror image;
FIG. 11 is a top plan view thereof; and
FIG. 12 is a bottom plan view thereof.
The broken lines showing of stitch lines and portions of the massage machine illustrate the unclaimed environment of the claimed design and form no part thereof.

1 Claim, 12 Drawing Sheets

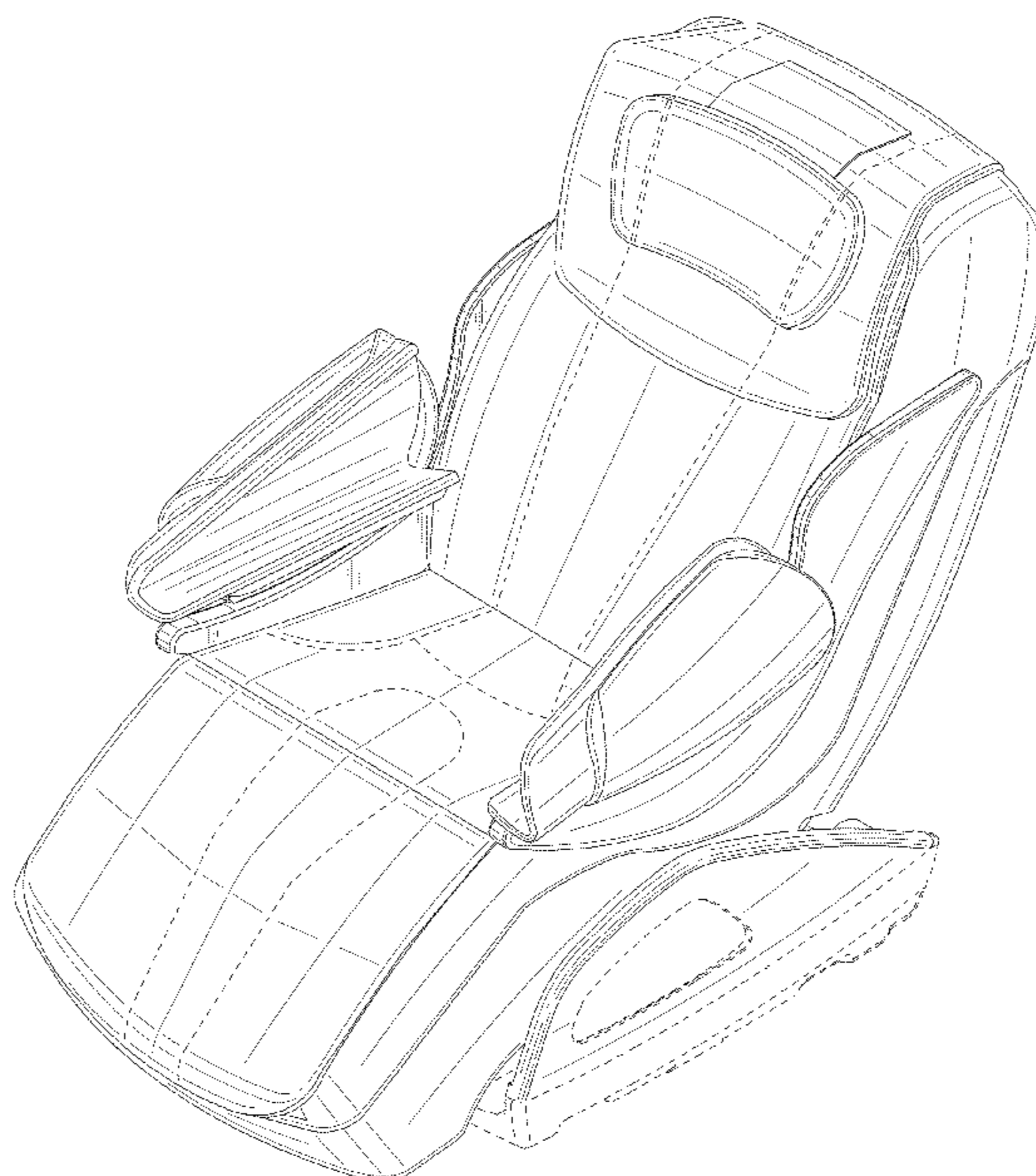
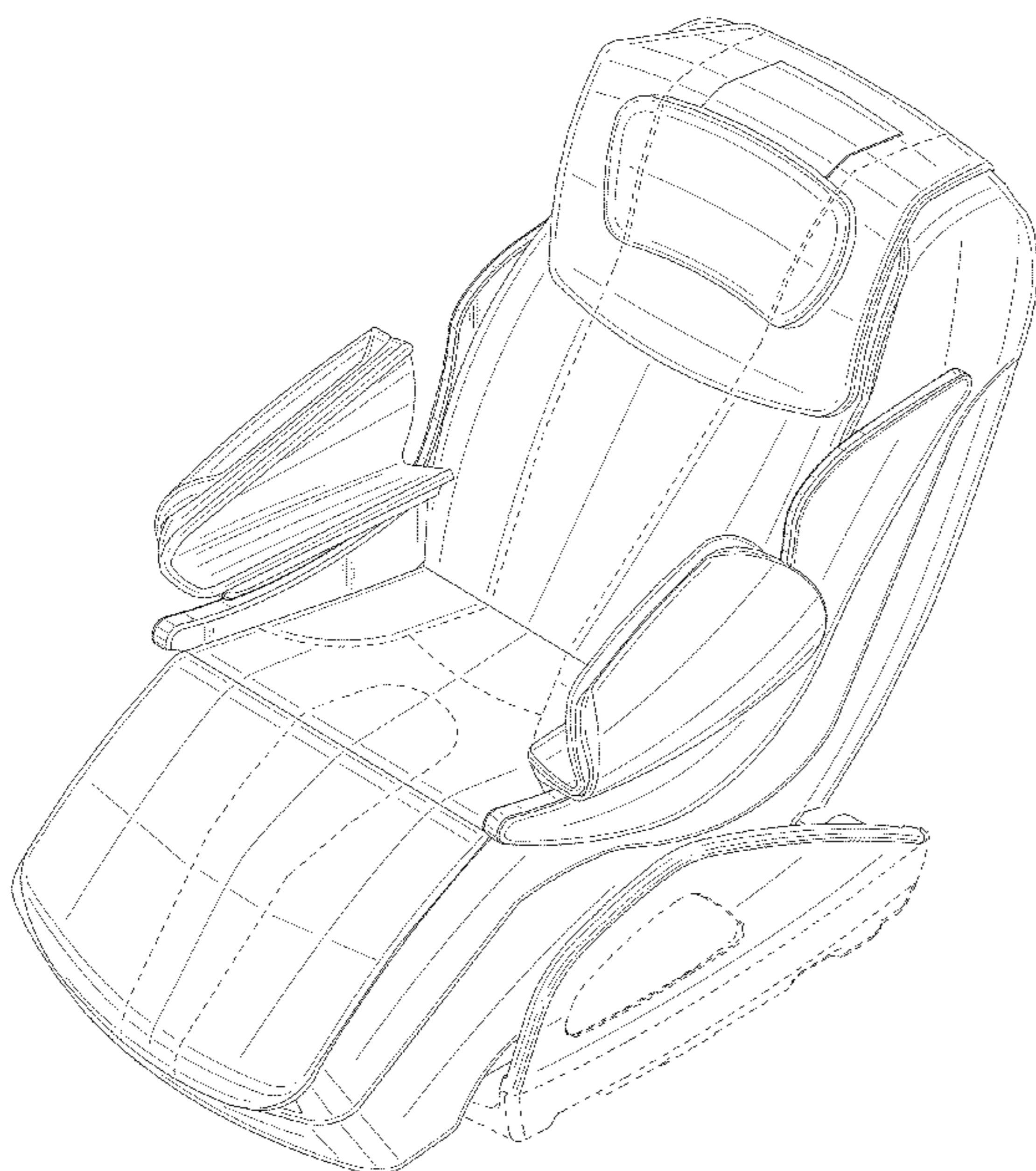


FIG.1

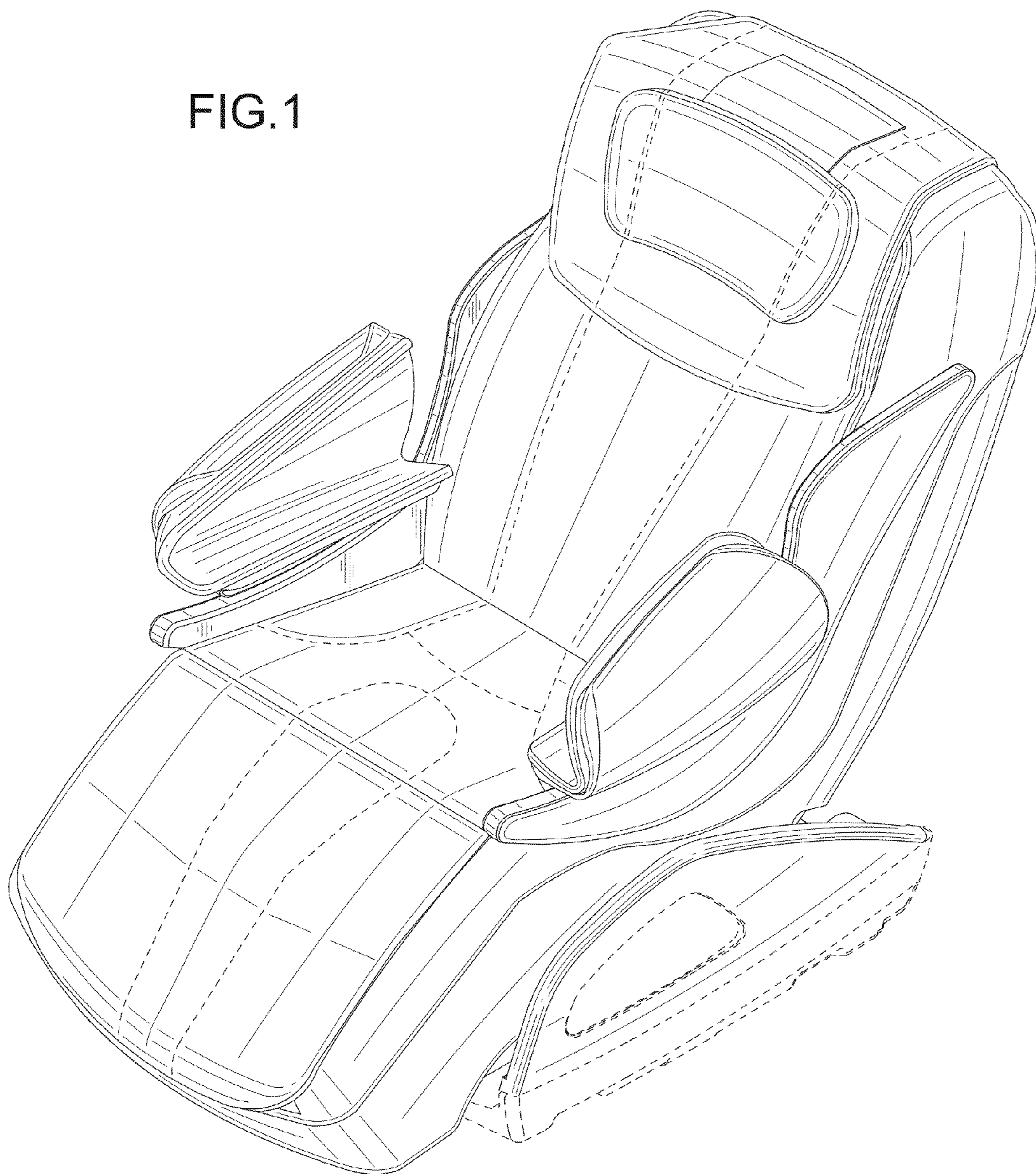


FIG.2

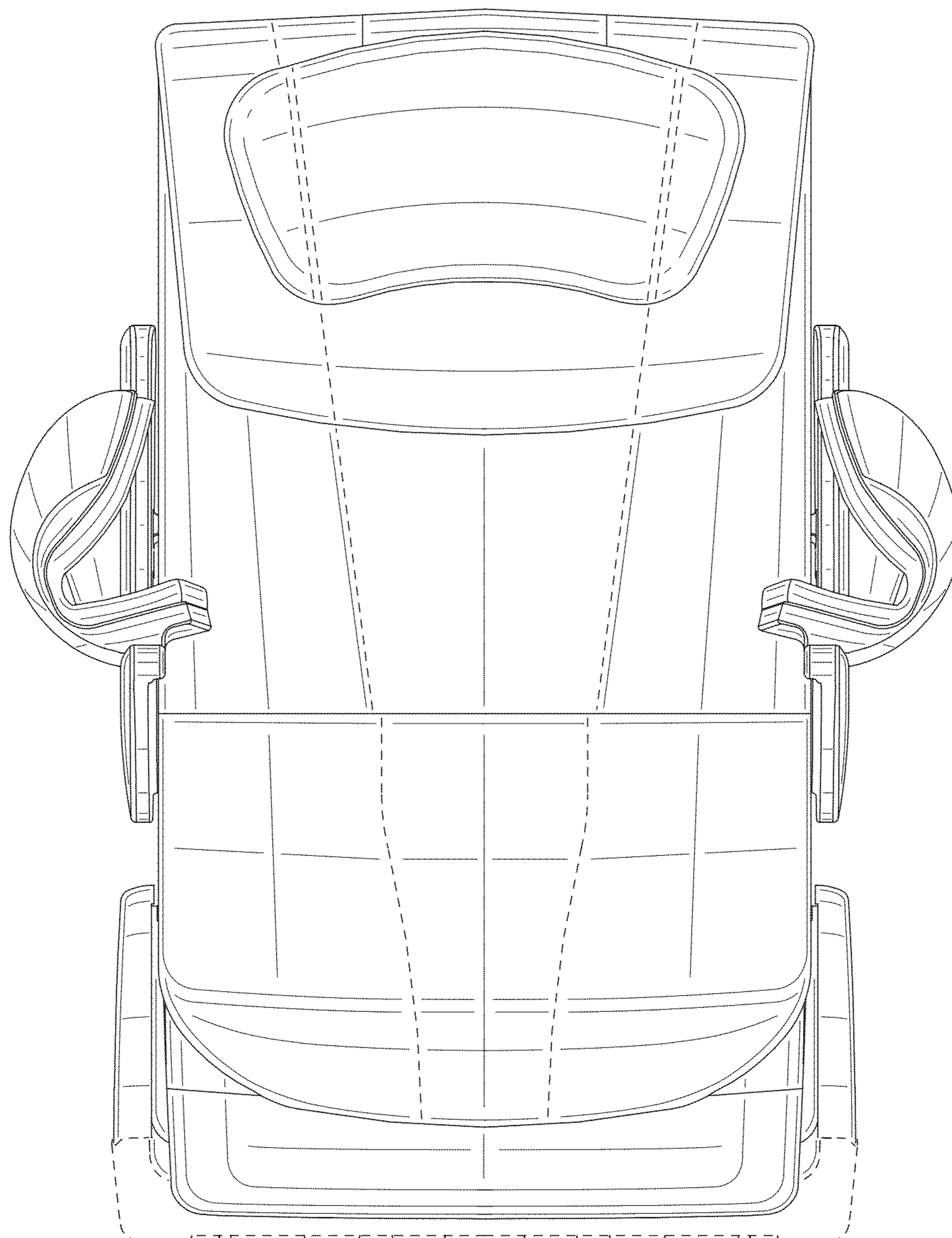
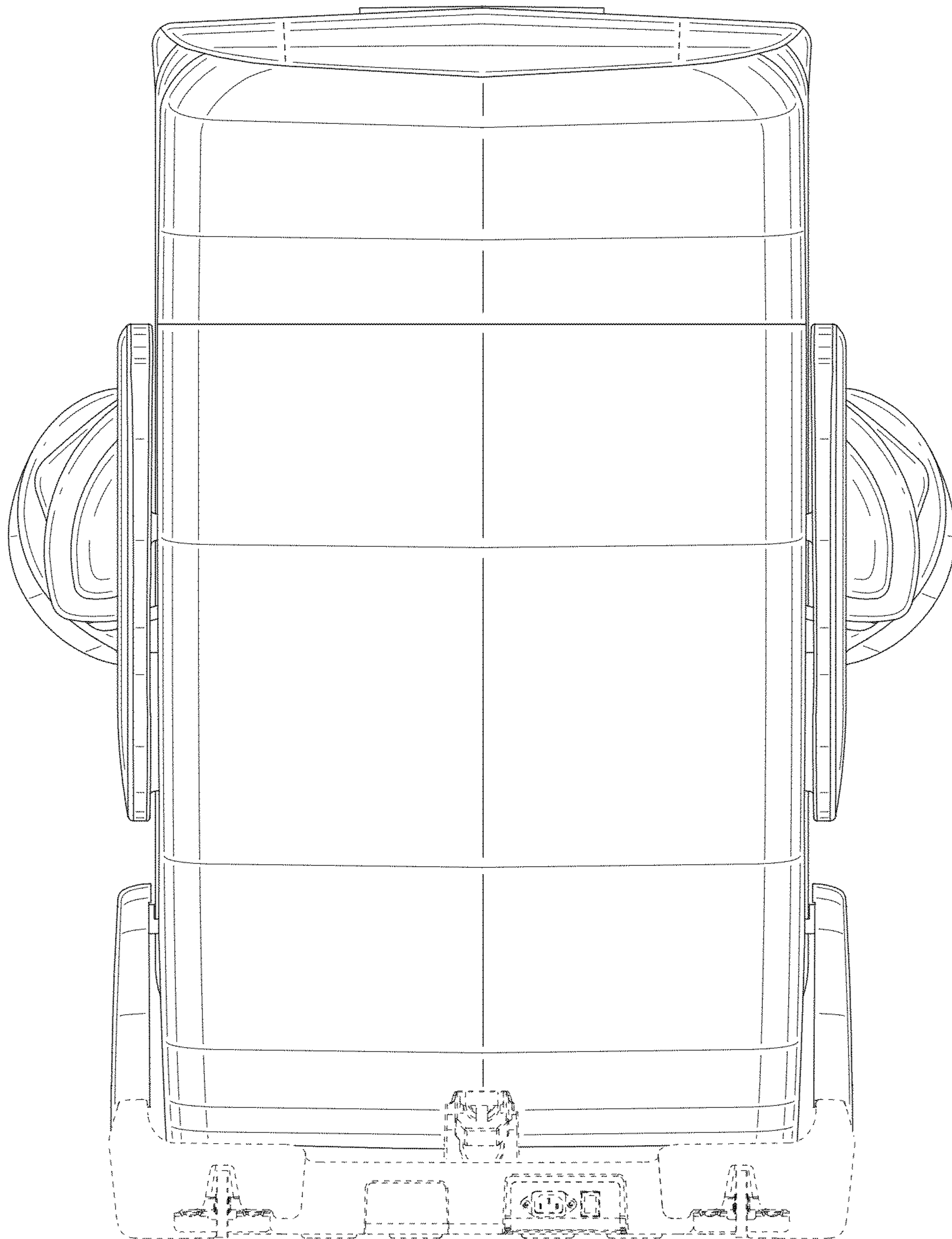


FIG.3



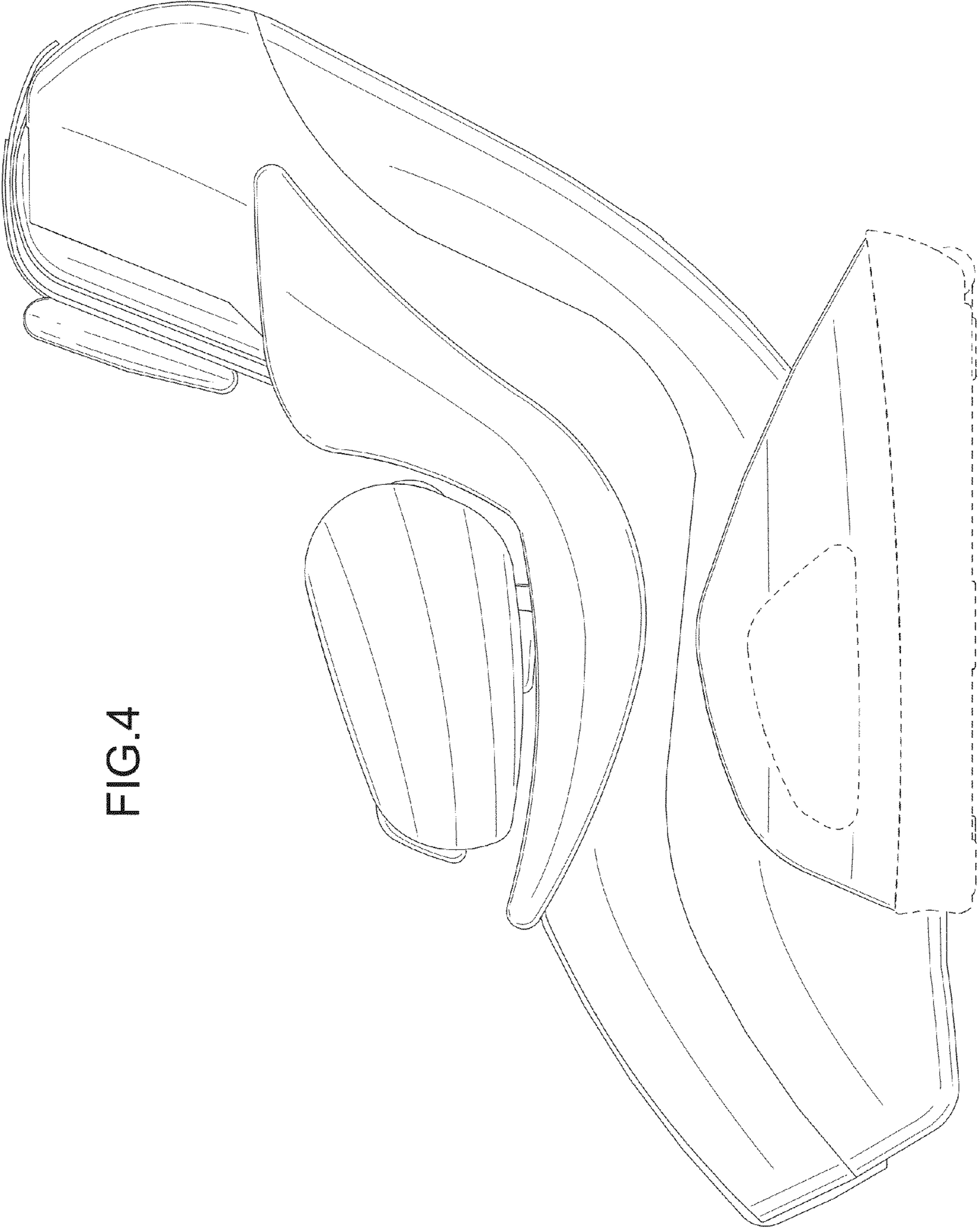


FIG.4

FIG.5

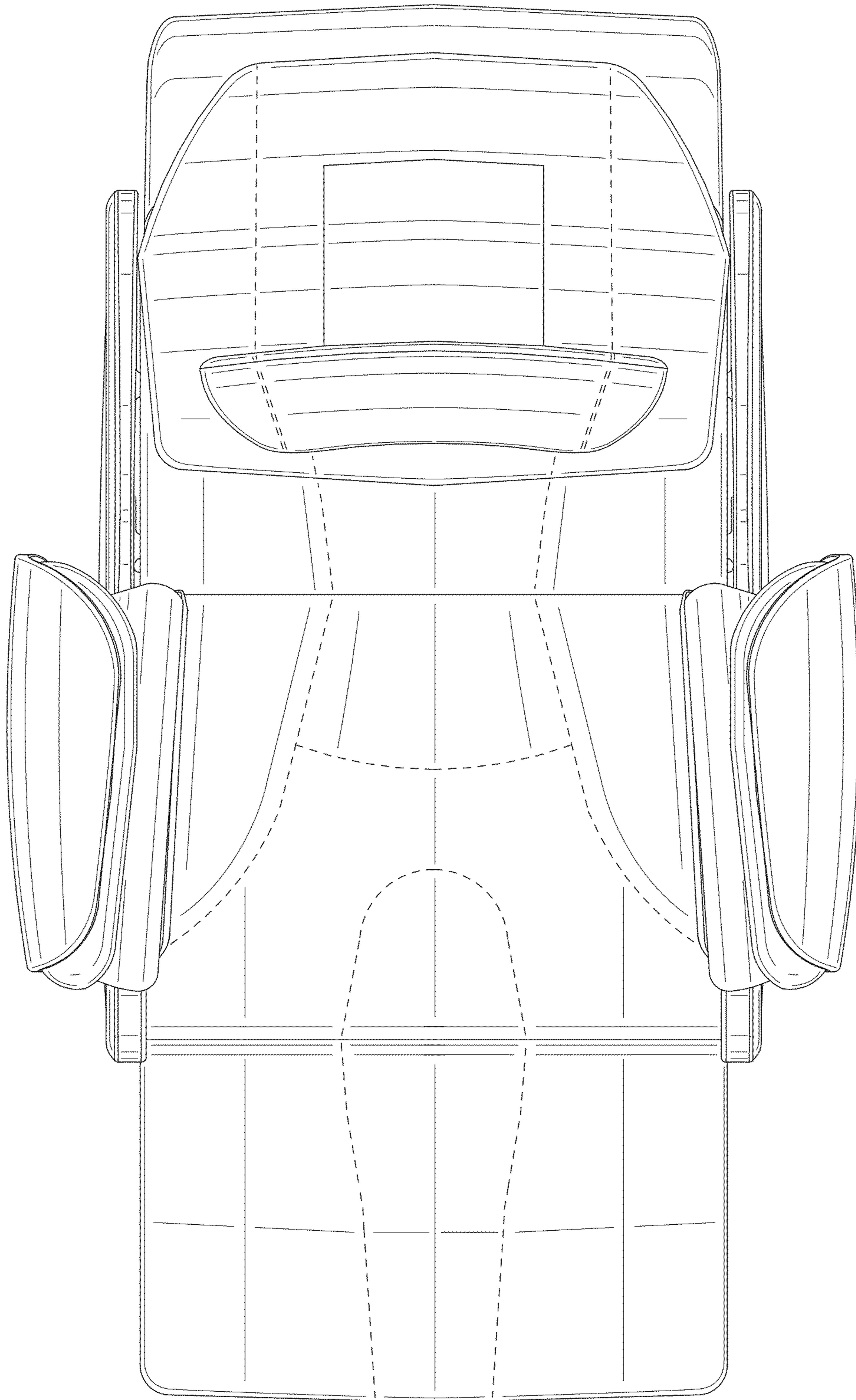


FIG.6

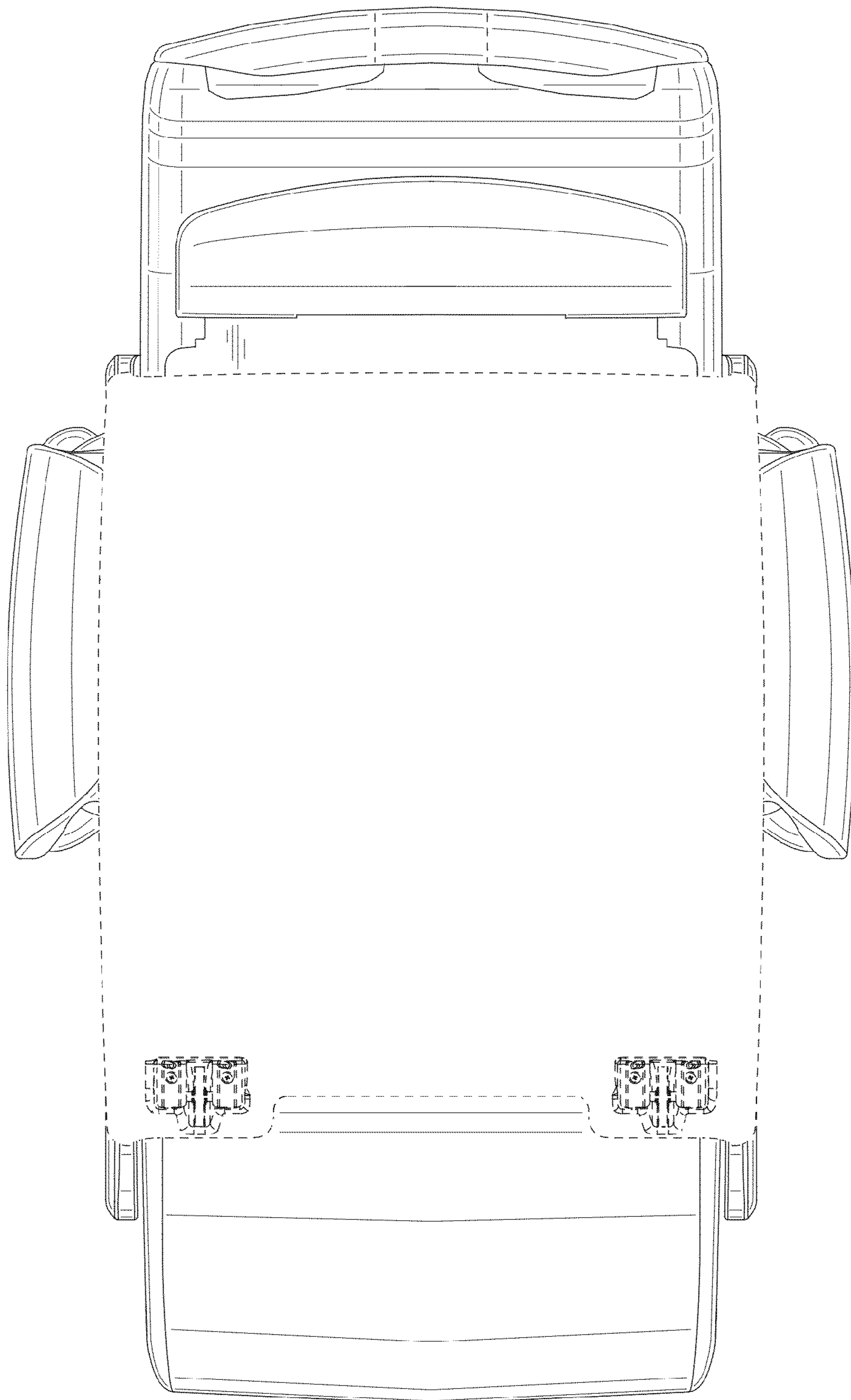


FIG.7

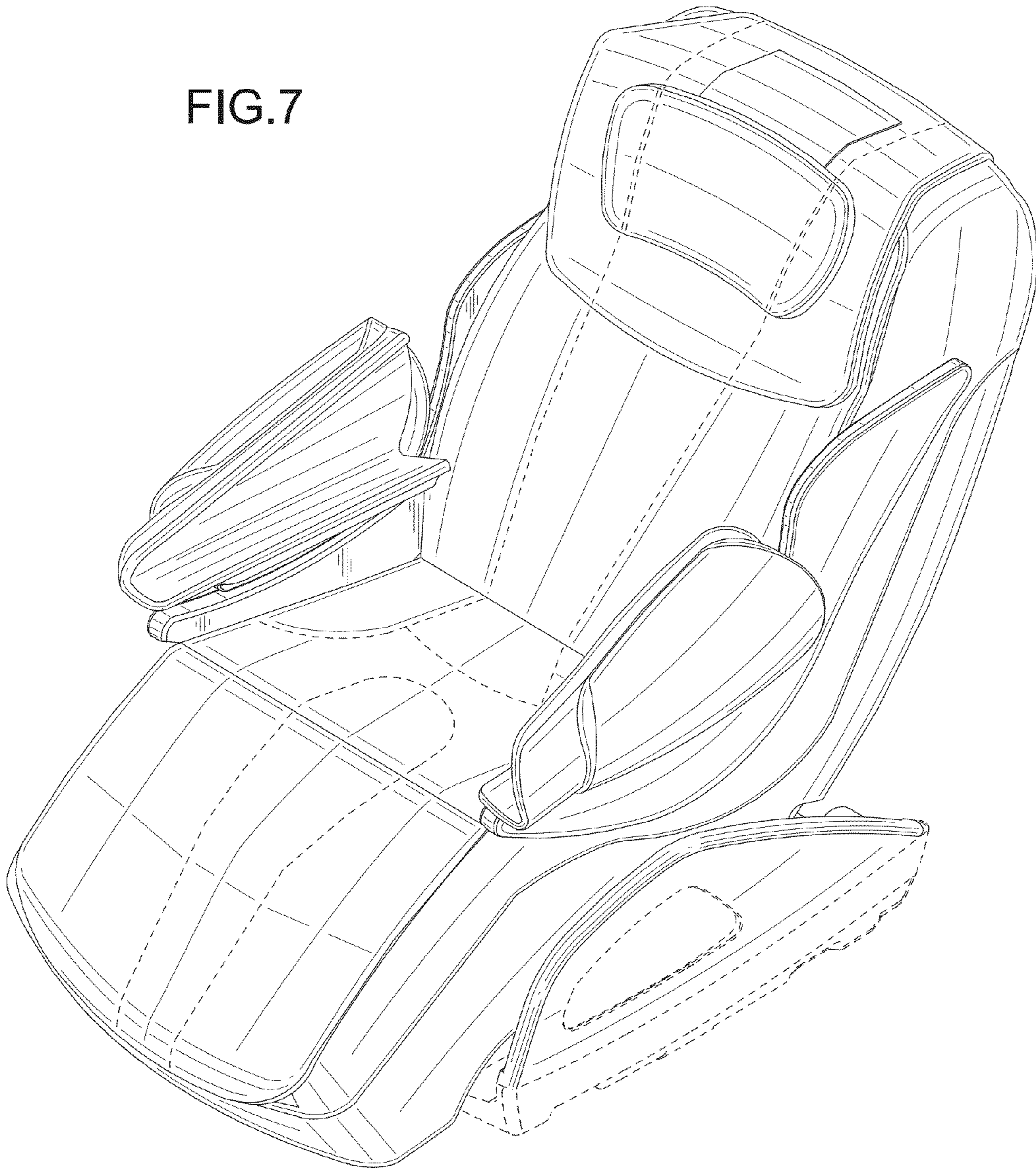


FIG.8

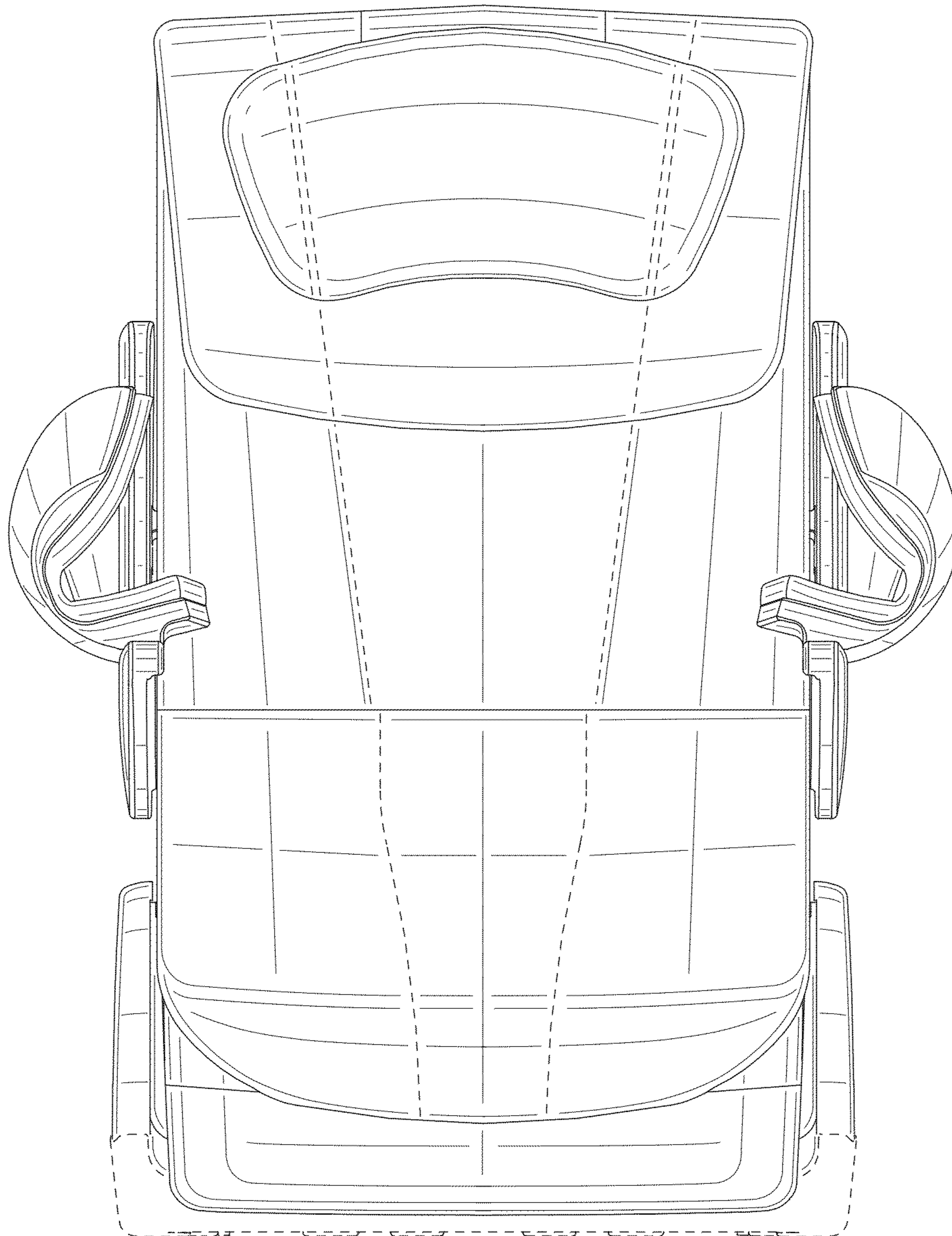
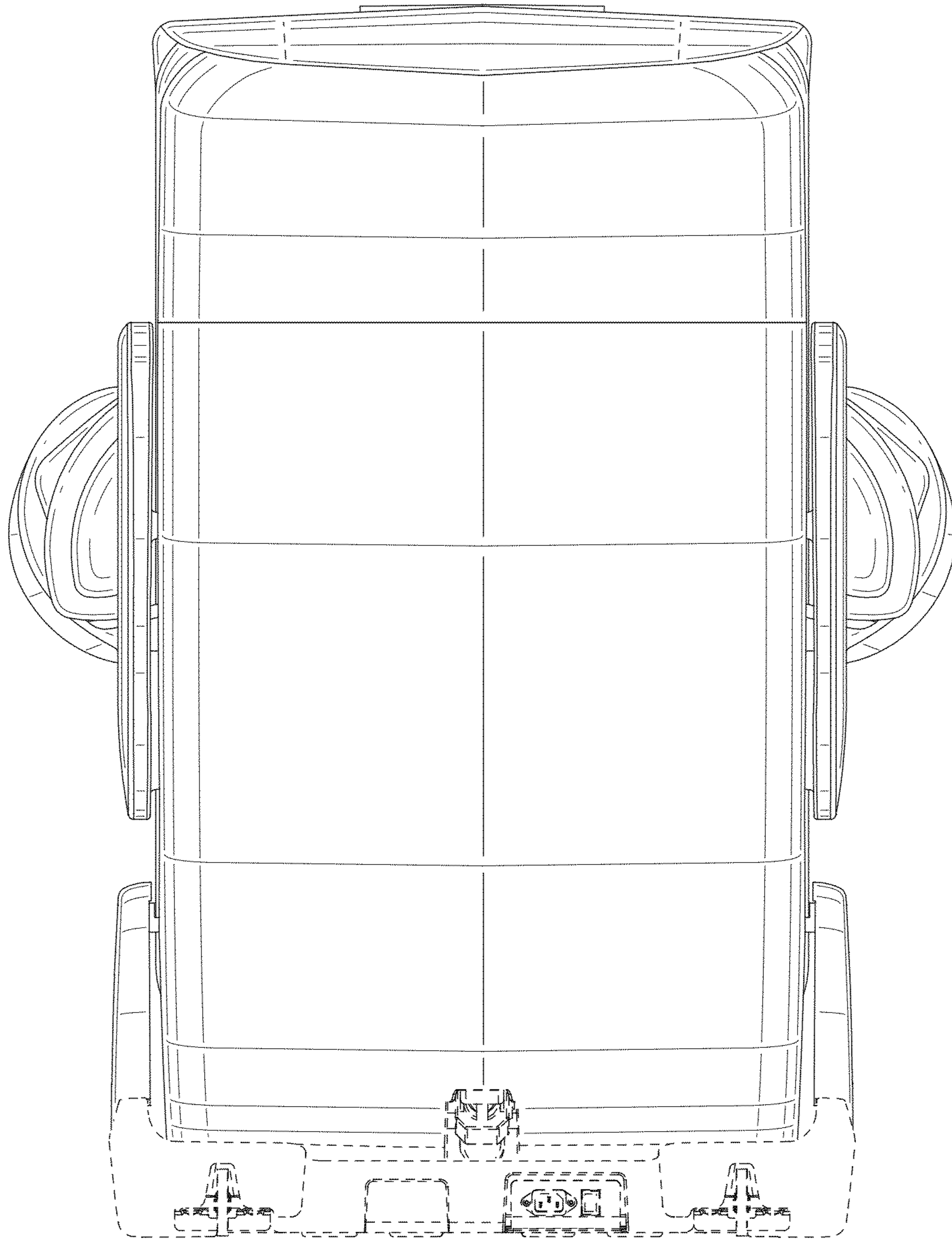


FIG. 9



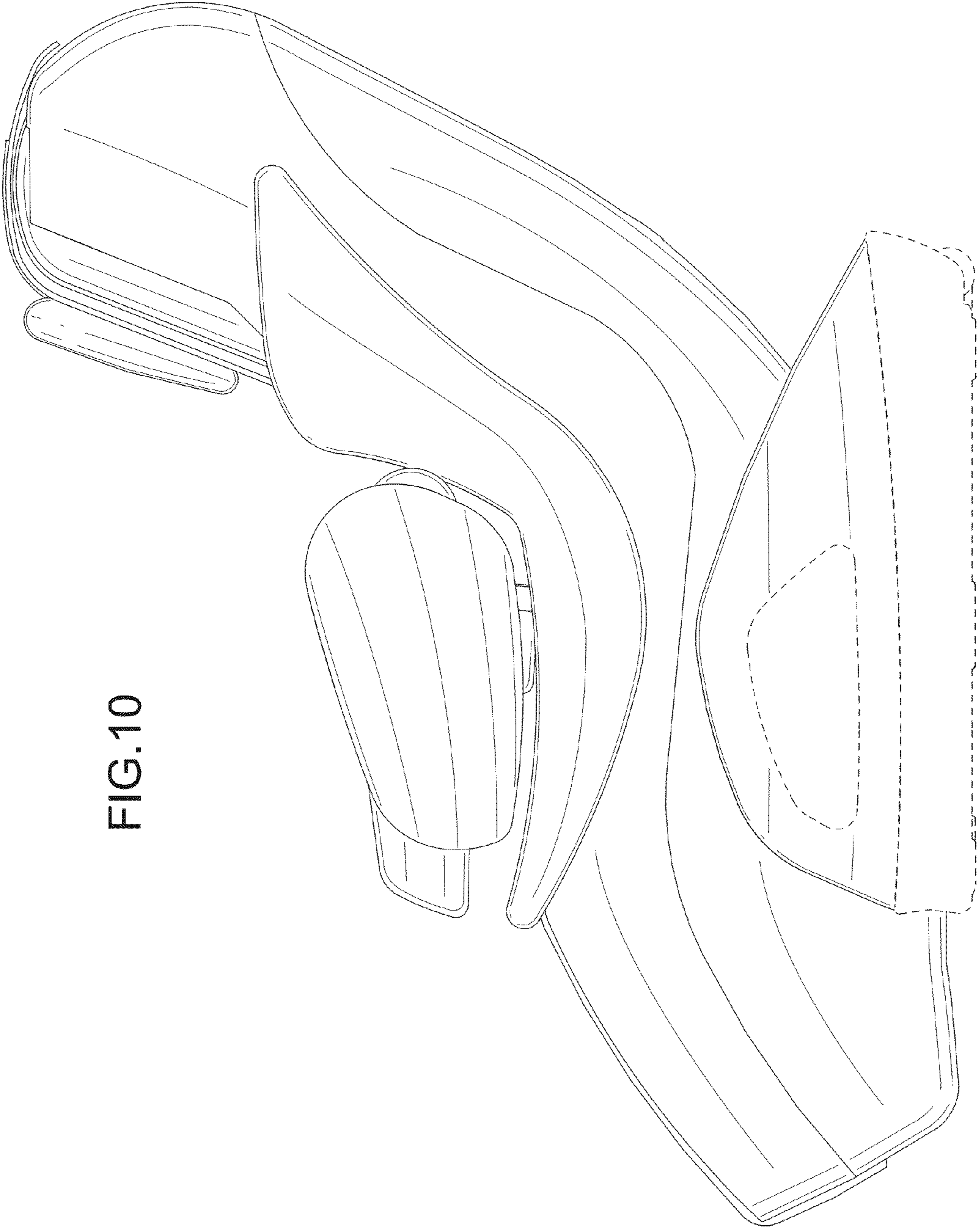


FIG.10

FIG. 11

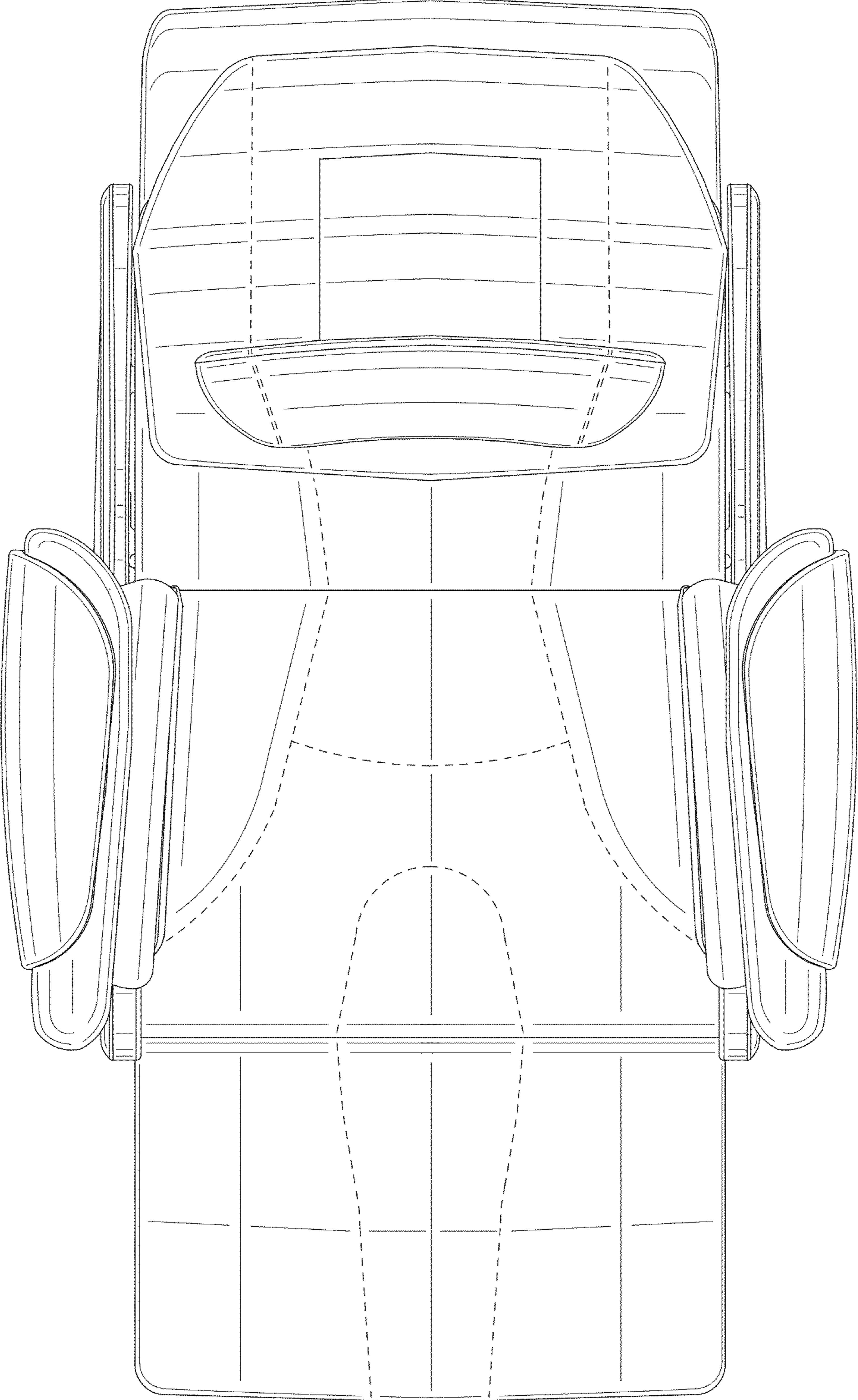


FIG.12

