



US00D733444S

(12) **United States Design Patent**
Strempack

(10) **Patent No.:** **US D733,444 S**

(45) **Date of Patent:** **** Jul. 7, 2015**

(54) **SOLAR POWERED BENCH**

Primary Examiner — Mimoso De

(71) Applicant: **Guy Thomas Strempack**, Fort
Lauderdale, FL (US)

(72) Inventor: **Guy Thomas Strempack**, Fort
Lauderdale, FL (US)

(73) Assignee: **7SUN MEDIA, LLC**, Jacksonville, FL
(US)

(**) Term: **14 Years**

(21) Appl. No.: **29/483,230**

(22) Filed: **Feb. 26, 2014**

(51) **LOC (10) Cl.** **06-01**

(52) **U.S. Cl.**
USPC **D6/364**

(58) **Field of Classification Search**
USPC D6/334–336, 364, 370, 376, 379, 380,
D6/381, 716, 716.1, 716.2, 716.3, 716.4
CPC A47C 11/00; A47C 3/12; A47C 3/18;
A47C 1/12; A47C 3/026; A47C 3/30; A47C
3/40
See application file for complete search history.

(56) **References Cited**

U.S. PATENT DOCUMENTS

D256,192 S *	8/1980	Lofton	D6/370
D354,630 S *	1/1995	Tomczak	D6/364
D451,296 S *	12/2001	Stewart	D6/370
D491,739 S *	6/2004	Pappas	D6/381
D551,874 S *	10/2007	Pappas	D6/381

* cited by examiner

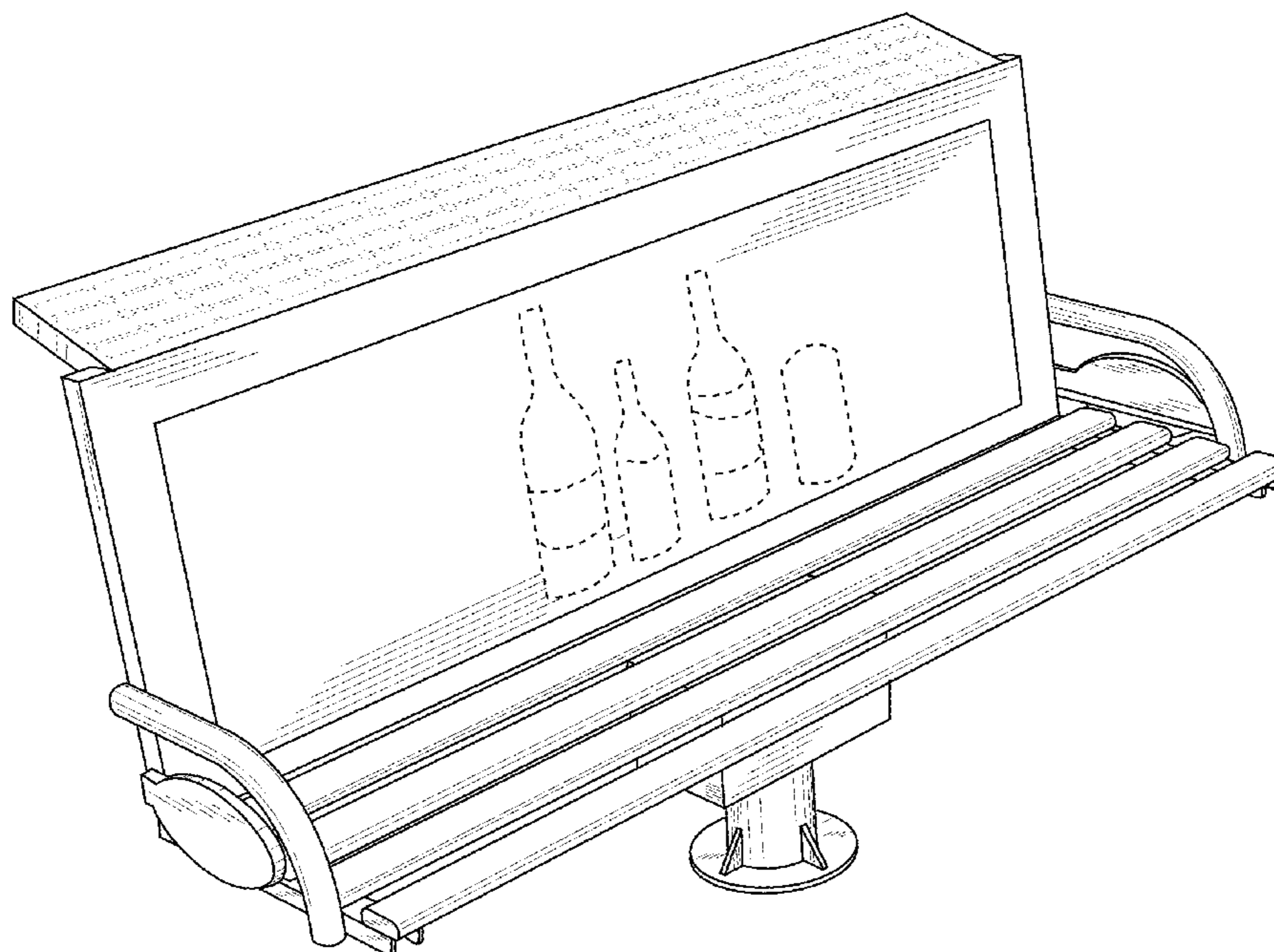
(57) **CLAIM**

The ornamental design for solar powered bench, as shown and described.

DESCRIPTION

FIG. 1 is a perspective view of a solar powered bench; FIG. 2 is a front elevational view thereof; FIG. 3 is a left side elevational view thereof; FIG. 4 is a rear elevational view thereof; FIG. 5 is a right side elevational view thereof; FIG. 6 is a top plan view thereof; FIG. 7 is a bottom plan view thereof; FIG. 8 is a rear perspective view thereof; FIG. 9 is a left side elevation view of a solar powered bench in an alternative position; FIG. 10 is a rear elevational view thereof; and, FIG. 11 is a rear perspective view thereof. The broken line showing in FIG. 3, FIG. 4, FIG. 5, FIG. 7, FIG. 8, FIG. 9, FIG. 10, and FIG. 11 is included for the purpose of illustrating environmental structure and forms no part of the claimed design. The broken line showing of solar panels in FIG. 1, FIG. 2, and FIG. 6 is included for the purpose of illustrating environmental structure and forms no part of the claimed design. The broken line showing of an advertisement graphic in FIG. 1 and FIG. 8 is included for the purpose of illustrating environmental structure and forms no part of the claimed design.

1 Claim, 11 Drawing Sheets



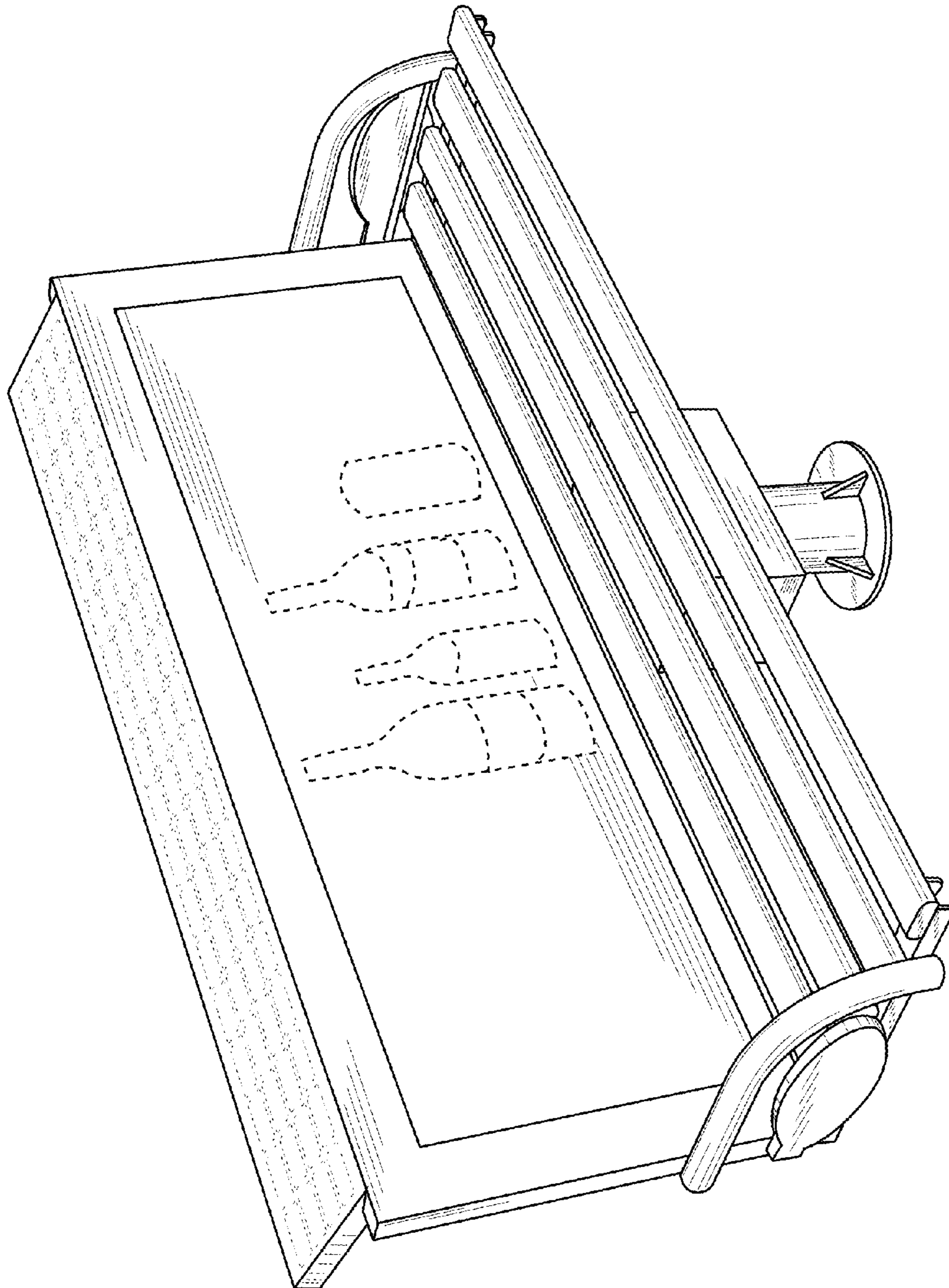


FIG. 1

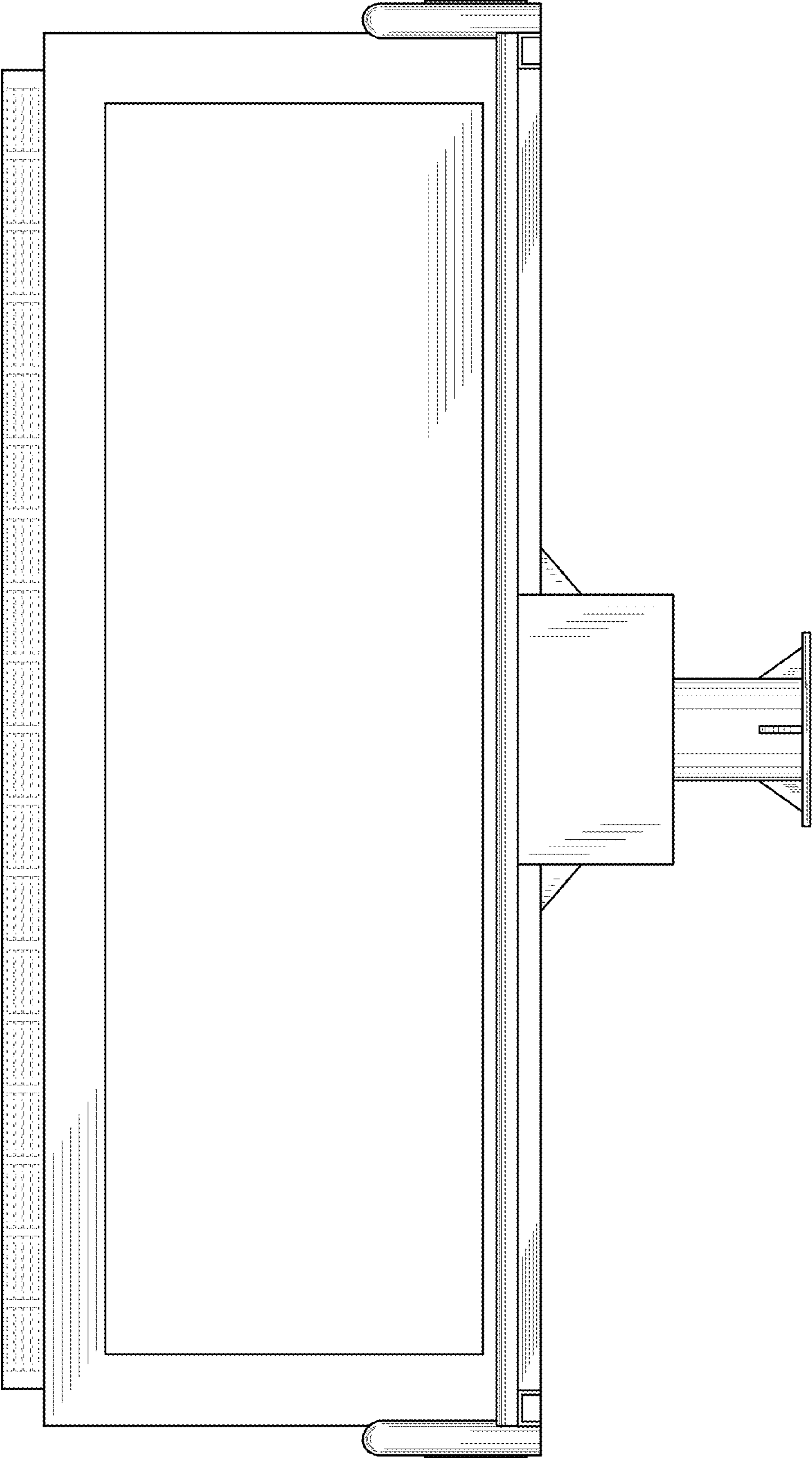


FIG. 2

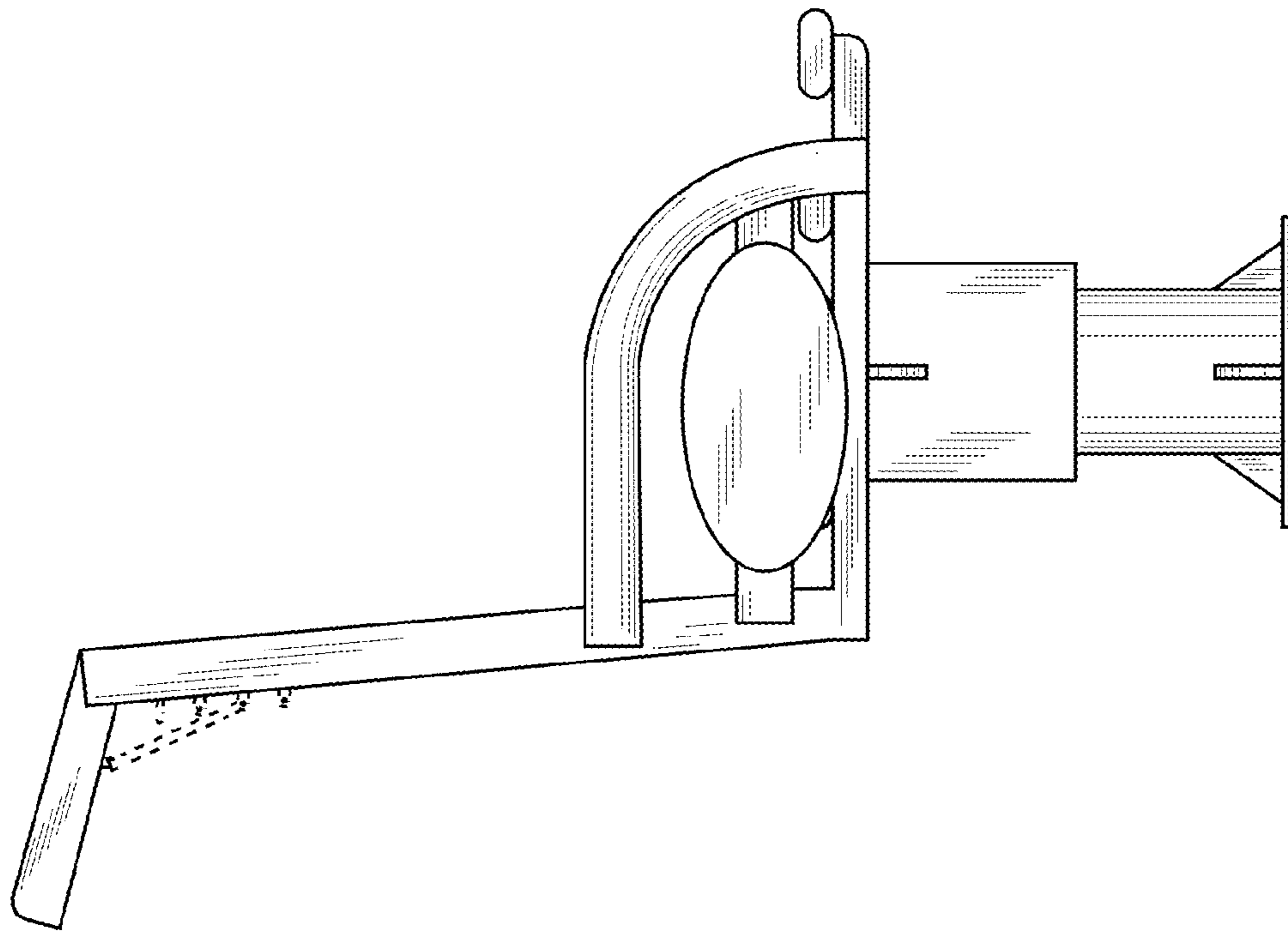


FIG. 3

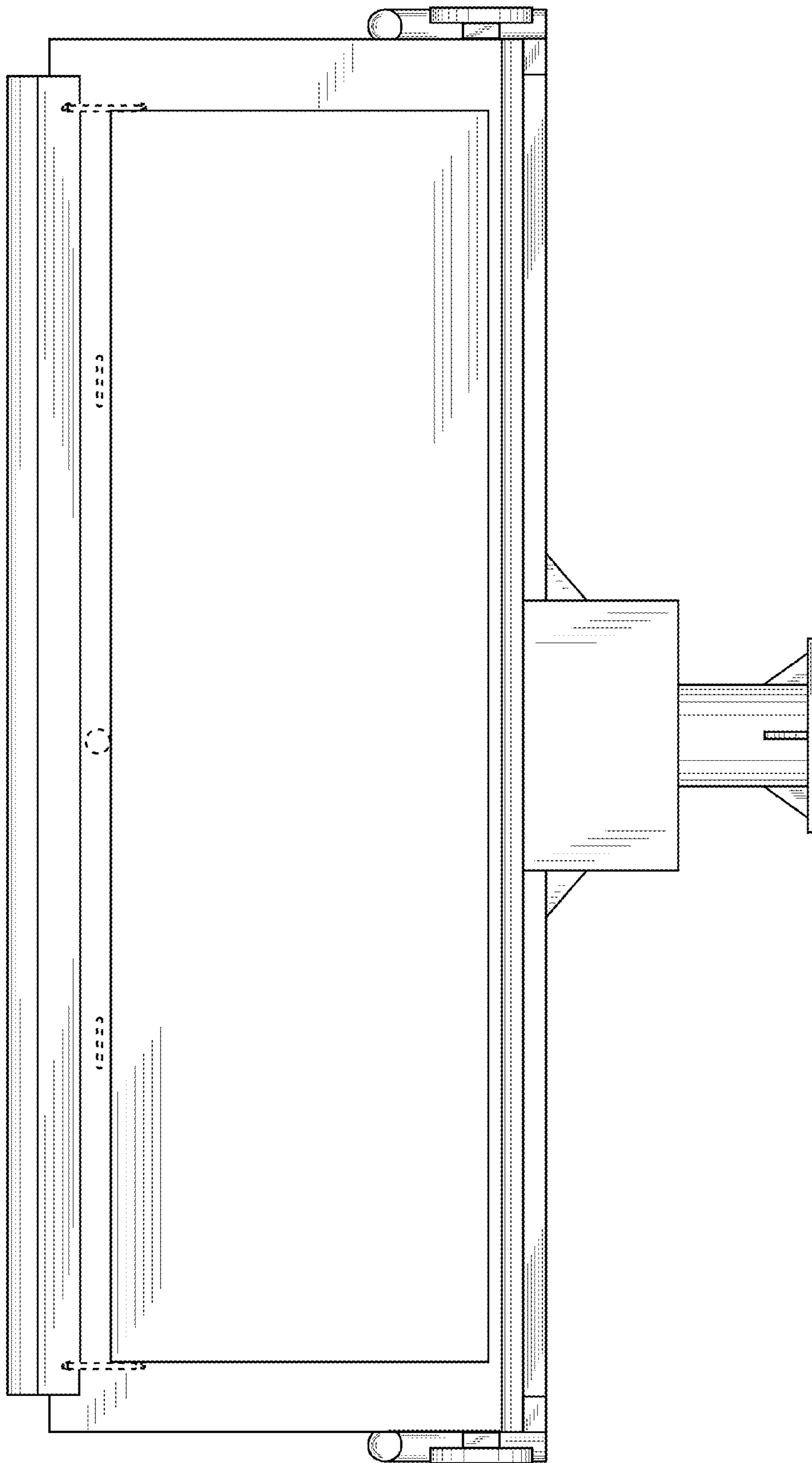


FIG. 4

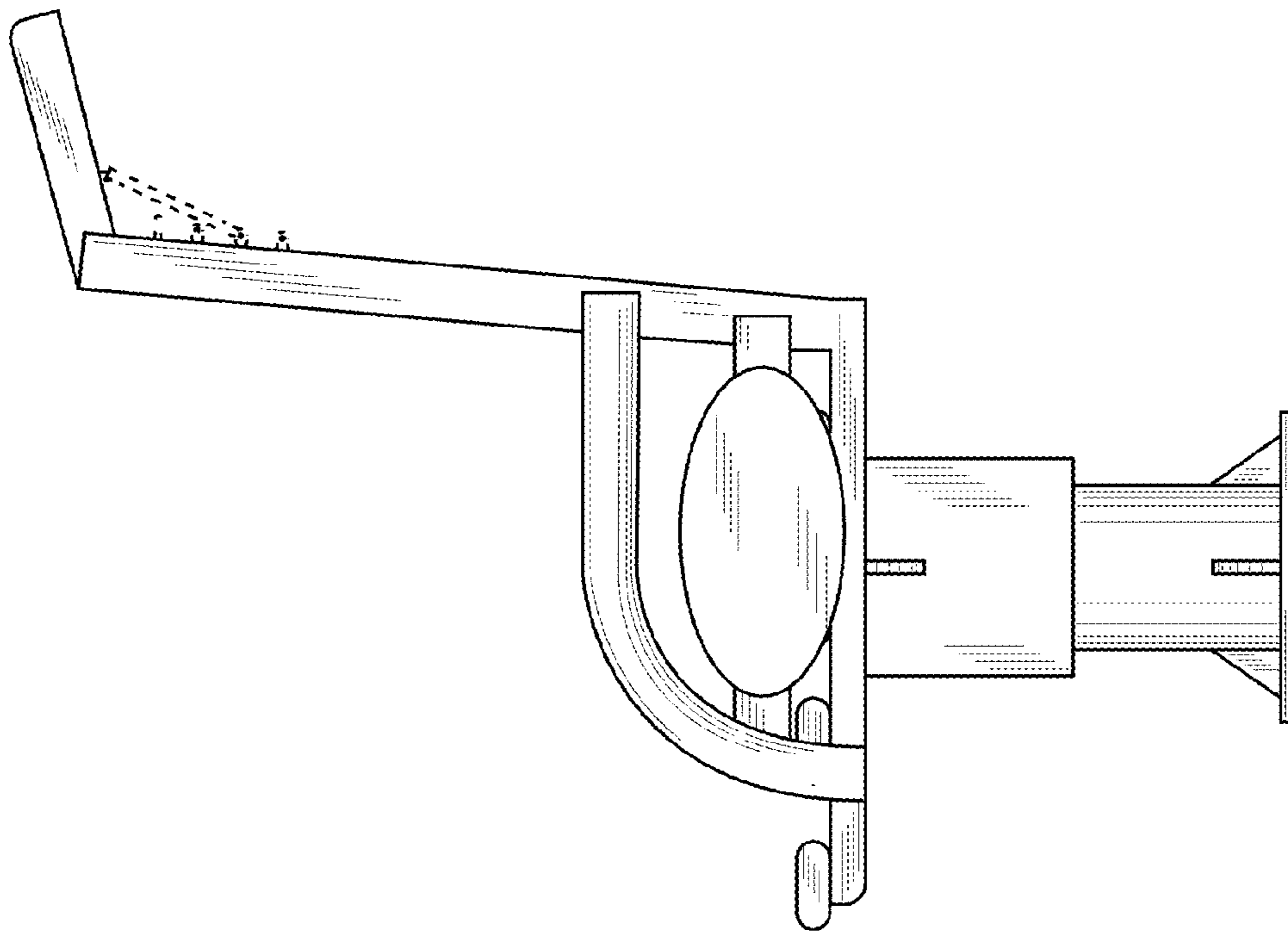


FIG. 5

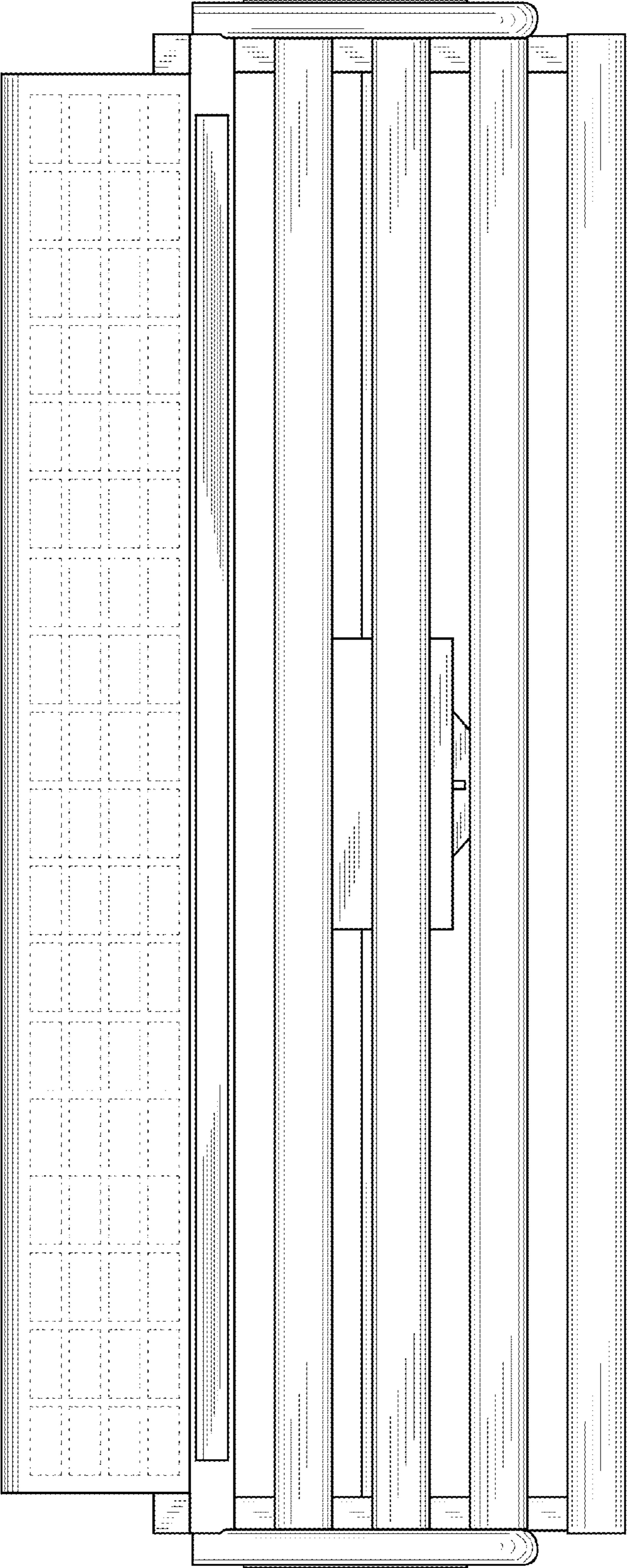


FIG. 6

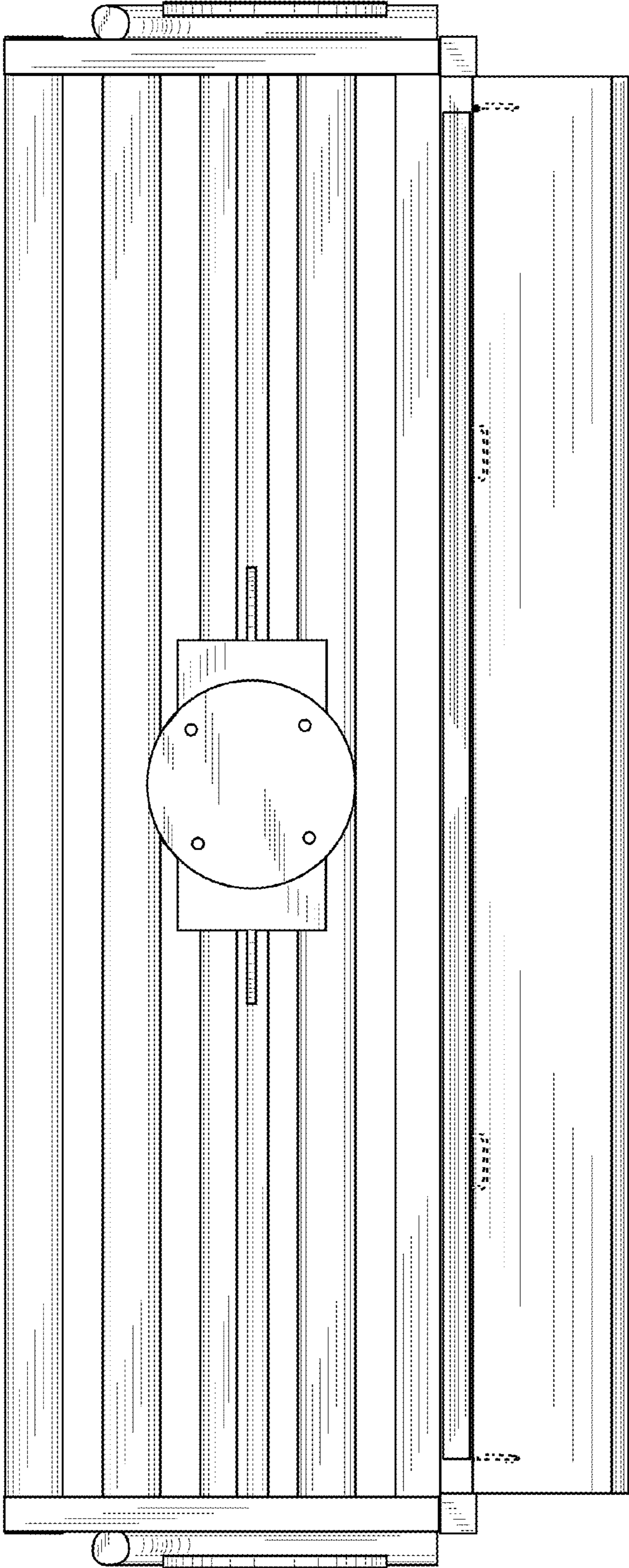


FIG. 7

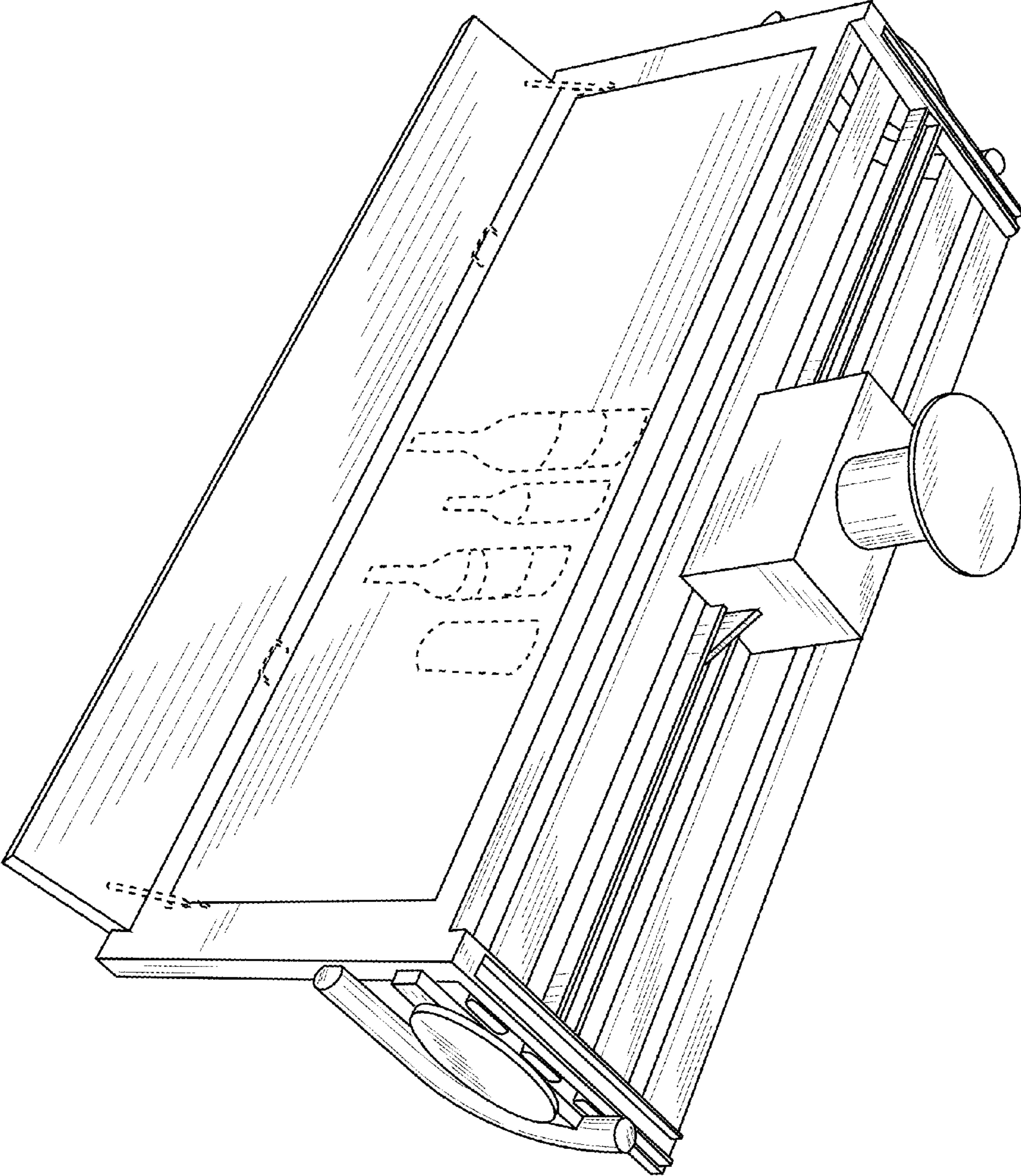


FIG. 8

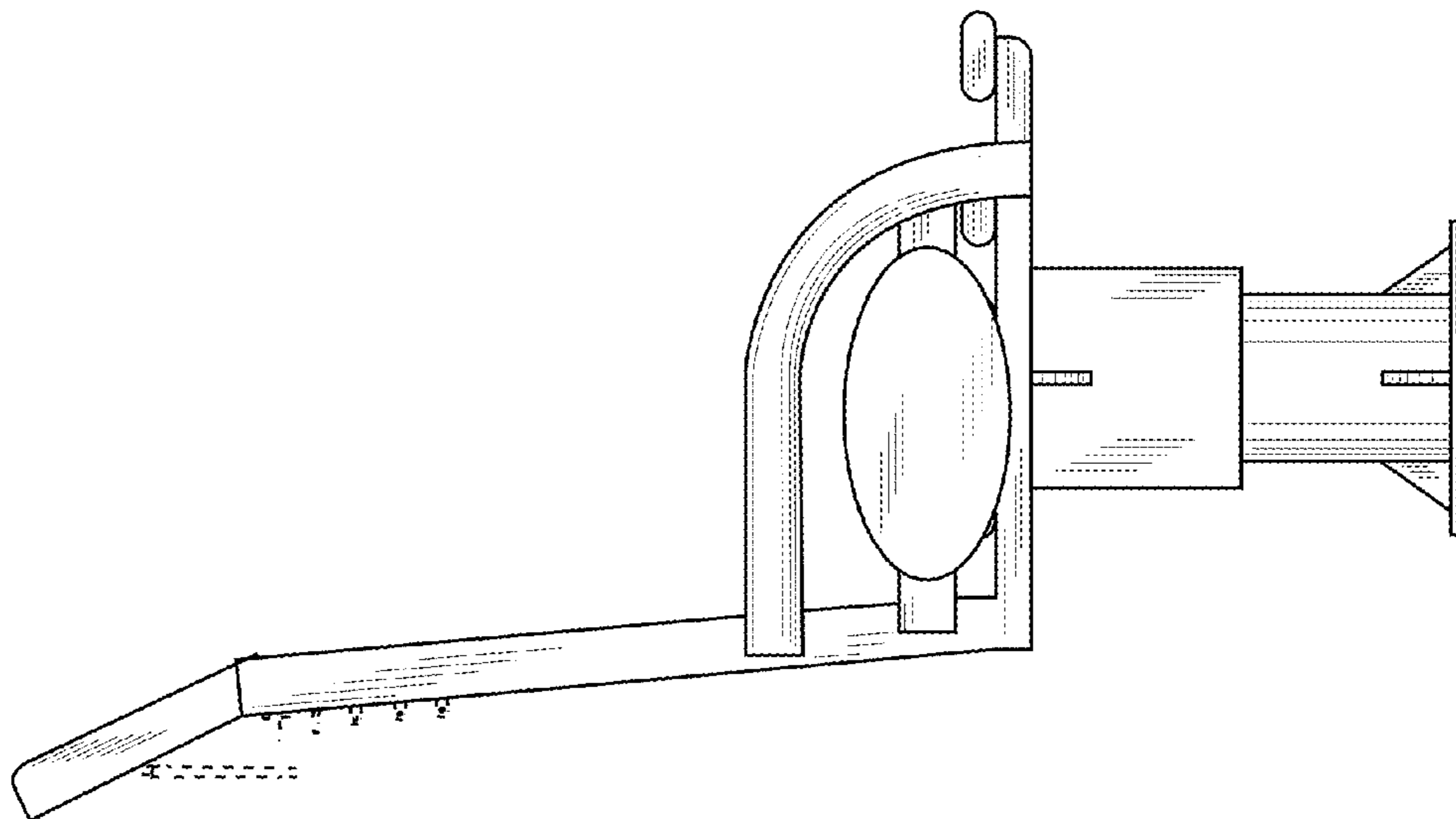


FIG. 9

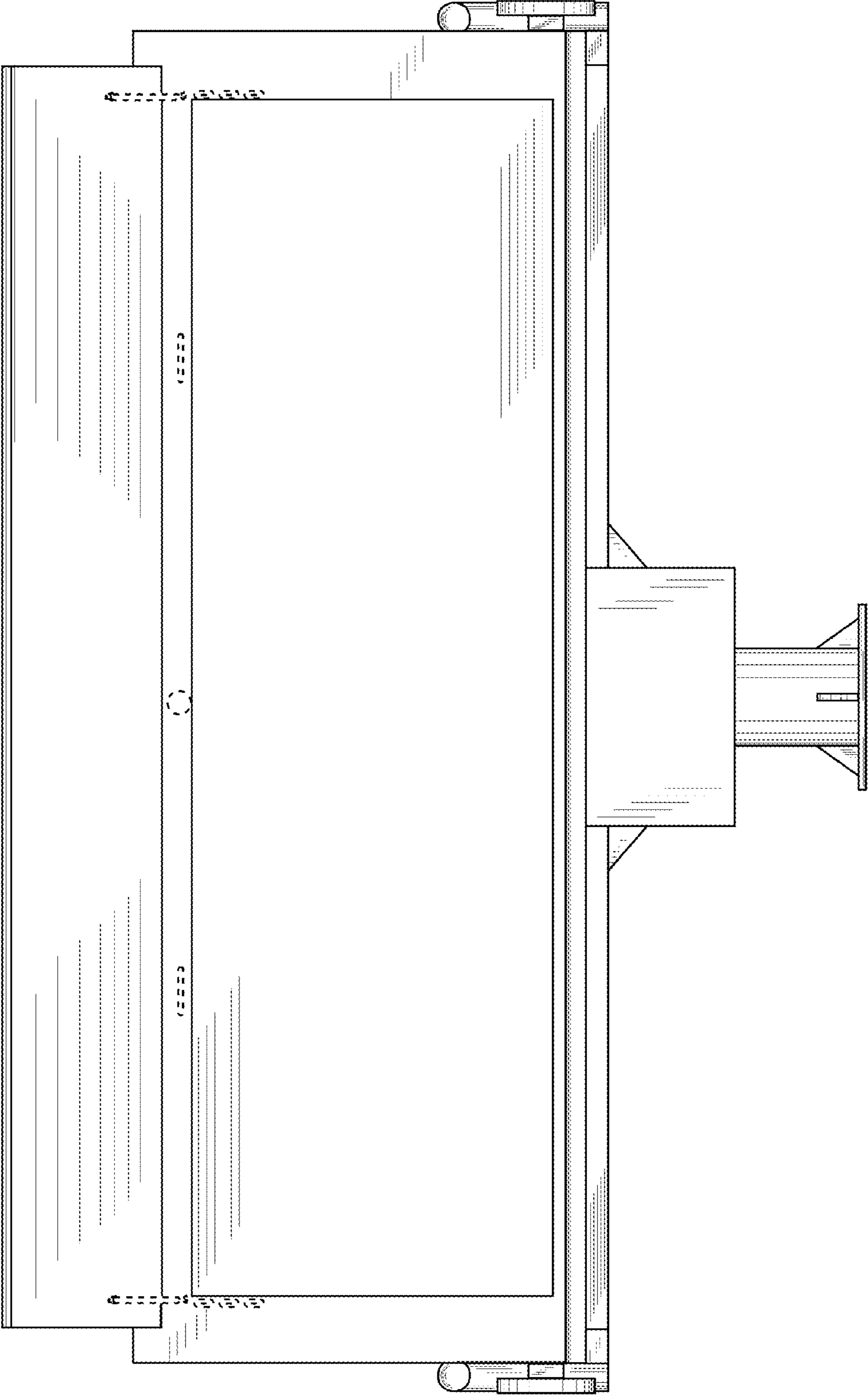


FIG. 10

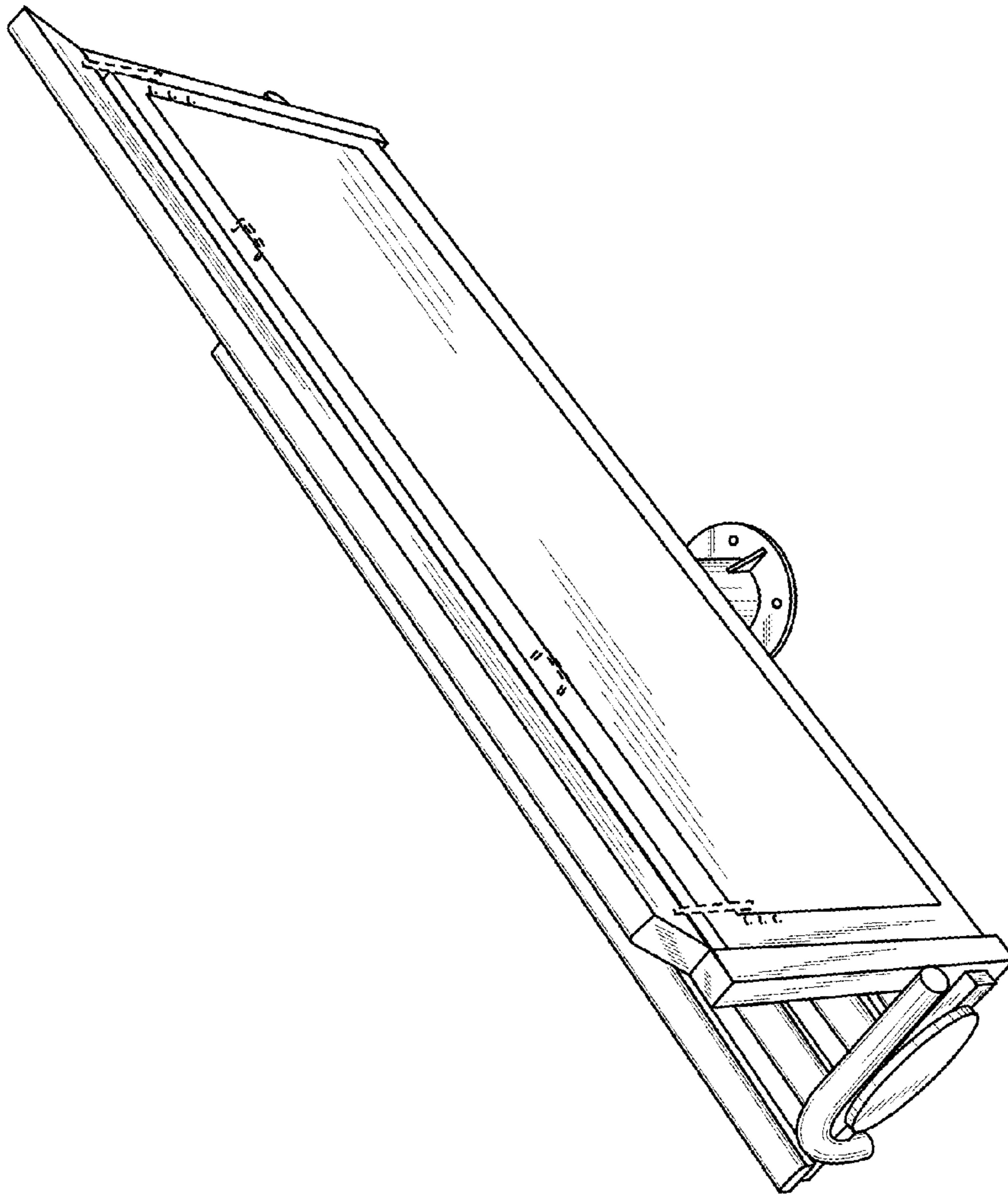


FIG. 11