



US00D733443S

(12) **United States Design Patent**
Griffin

(10) **Patent No.:** **US D733,443 S**
(45) **Date of Patent:** **** Jul. 7, 2015**

(54) **LOUNGE CHAIR FOR WOMEN**

(71) Applicant: **Beth Griffin**, Altamonte Springs, FL
(US)

(72) Inventor: **Beth Griffin**, Altamonte Springs, FL
(US)

(**) Term: **14 Years**

(21) Appl. No.: **29/472,474**

(22) Filed: **Nov. 12, 2013**

(51) **LOC (10) Cl.** **06-01**

(52) **U.S. Cl.**
USPC **D6/361**

(58) **Field of Classification Search**
USPC D6/334–336, 361, 368, 374–381, 716,
D6/716.1–716.8
CPC A47C 1/035; A47C 1/143; A47C 4/06;
A47C 4/12; A47C 4/14; A47C 4/28; A47C
4/30; A47C 7/50; A47C 7/506; A61G 5/00
See application file for complete search history.

(56) **References Cited**

U.S. PATENT DOCUMENTS

4,606,086	A *	8/1986	Rowland	5/111
D381,524	S *	7/1997	Gabriel	D6/361
5,946,749	A *	9/1999	Sewell	5/110
5,950,259	A *	9/1999	Boggs	5/111
D445,577	S *	7/2001	Tseng	D6/361
D450,942	S *	11/2001	Jones	D6/361
D456,158	S *	4/2002	Van Severen	D6/361
D517,334	S *	3/2006	Jones	D6/361
D527,554	S *	9/2006	Jones	D6/716
D594,240	S *	6/2009	Udoff et al.	D6/361
D608,555	S *	1/2010	Aoki	D6/361
D707,049	S *	6/2014	Asner	D6/361
D707,458	S *	6/2014	Doyle et al.	D6/361

* cited by examiner

Primary Examiner — Ricky Pham

(74) *Attorney, Agent, or Firm* — Nancy J. Flint, Esq.; Nancy J. Flint, Attorney At Law, P.A.

(57) **CLAIM**

The ornamental design for a lounge chair for women, as shown and described.

DESCRIPTION

FIG. 1 is a right side perspective view of a first embodiment of a lounge chair for women showing my new design;
 FIG. 2 is a back perspective view of the first embodiment of the lounge chair for women;
 FIG. 3 is a right side view of the first embodiment of the lounge chair for women;
 FIG. 4 is a top view of the first embodiment of the lounge chair for women;
 FIG. 5 is a bottom view of the first embodiment of the lounge chair for women;
 FIG. 6 is a front view of the first embodiment of the lounge chair for women;
 FIG. 7 is a back view of the first embodiment of the lounge chair for women;
 FIG. 8 is a right side view of the first embodiment of the lounge chair for women as used;
 FIG. 9 is a right side perspective view of a second embodiment of a lounge chair for women;
 FIG. 10 is a back perspective view of the second embodiment of the lounge chair for women;
 FIG. 11 is a right side view of the second embodiment of the lounge chair for women;
 FIG. 12 is a top view of the second embodiment of the lounge chair for women;
 FIG. 13 is a bottom view of the second embodiment of the lounge chair for women;
 FIG. 14 is a front view of the second embodiment of the lounge chair for women;
 FIG. 15 is a back view of the second embodiment of the lounge chair for women; and,
 FIG. 16 is a right side view of the second embodiment of the lounge chair for women as used.
 Right side views not shown are mirror images of left side views. Front views not shown are mirror images of back views. Any broken lines illustrative of environmental structure in the drawings are not part of the design sought to be patented.

1 Claim, 8 Drawing Sheets

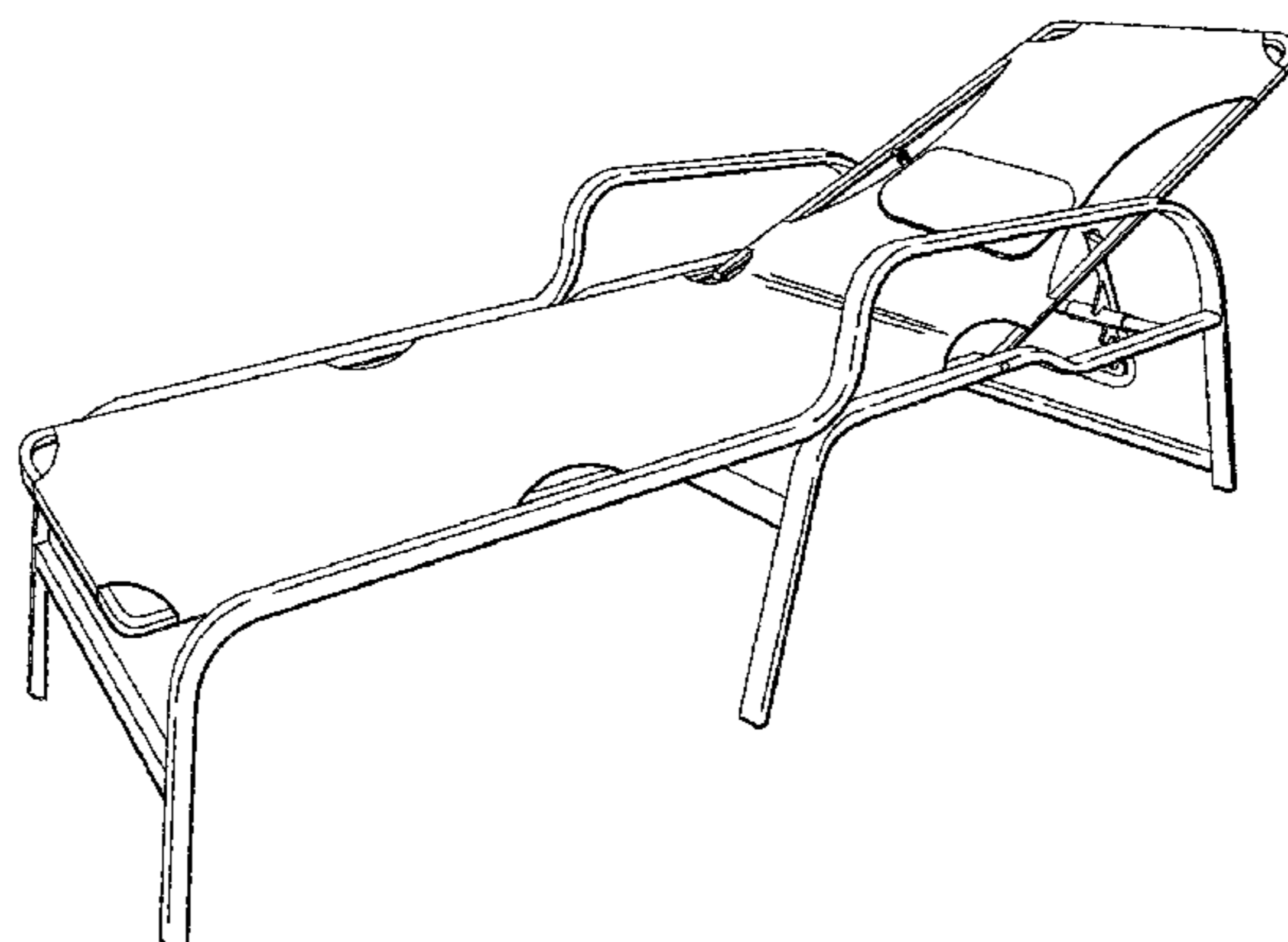


FIG. 2

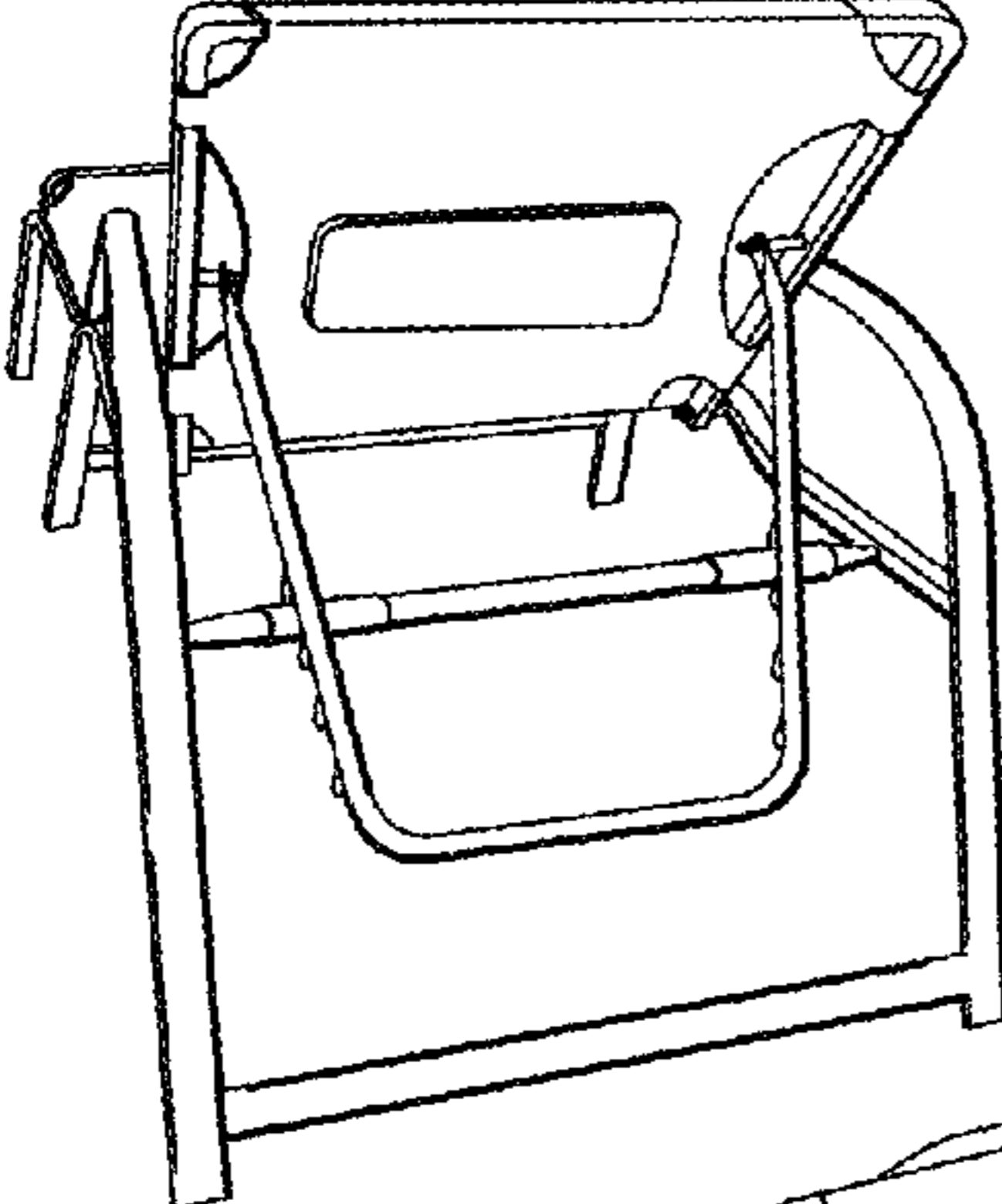


FIG. 1

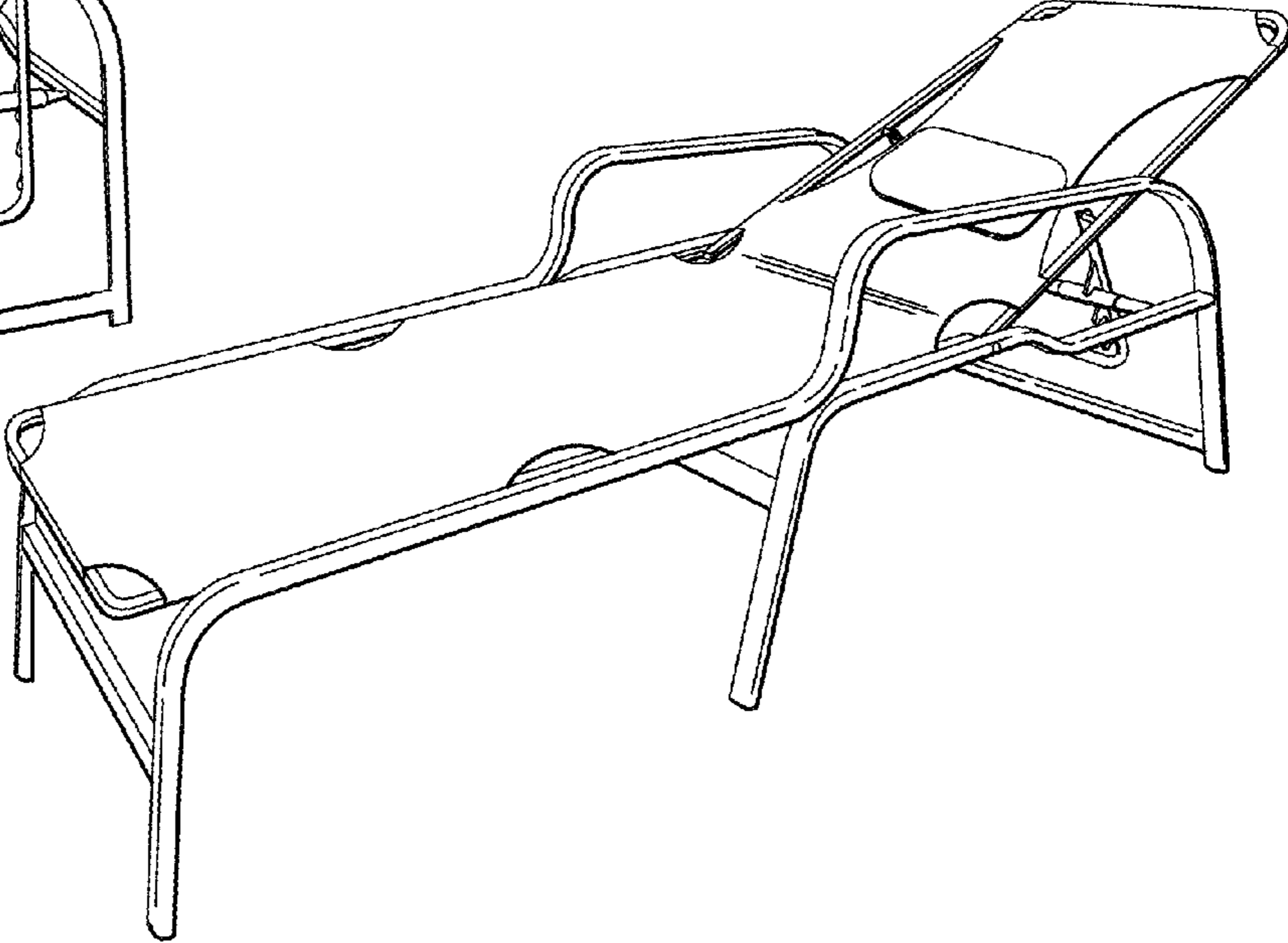


FIG. 3

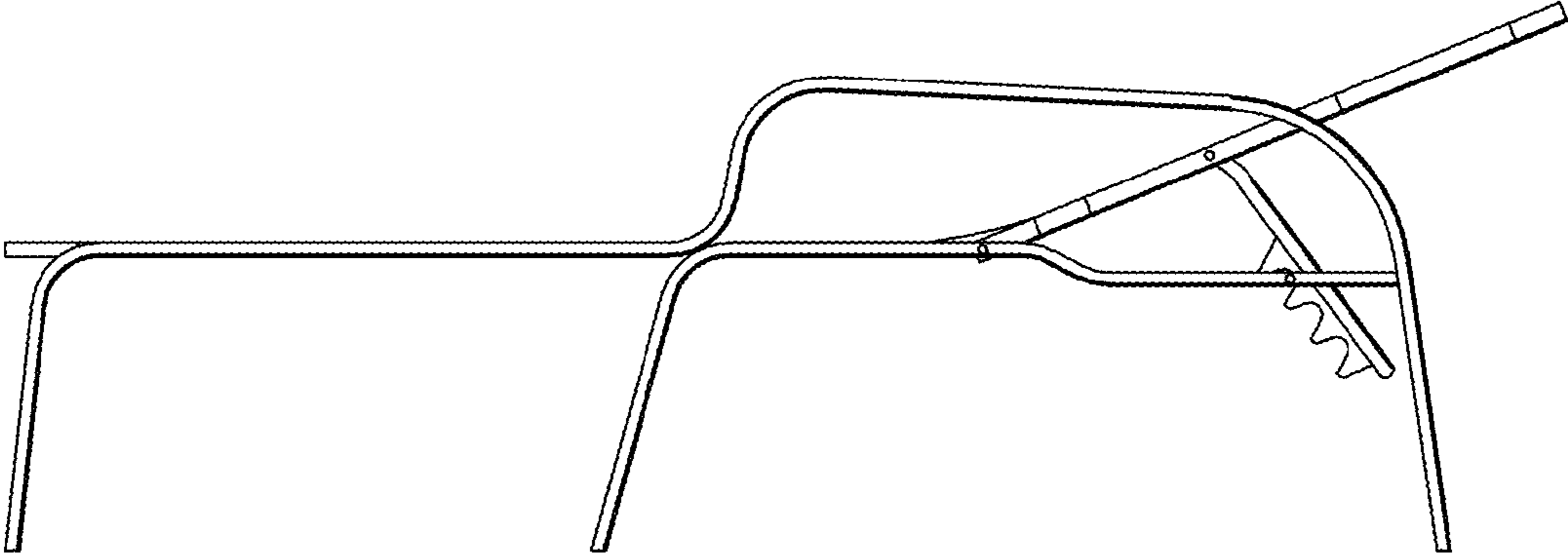


FIG. 4

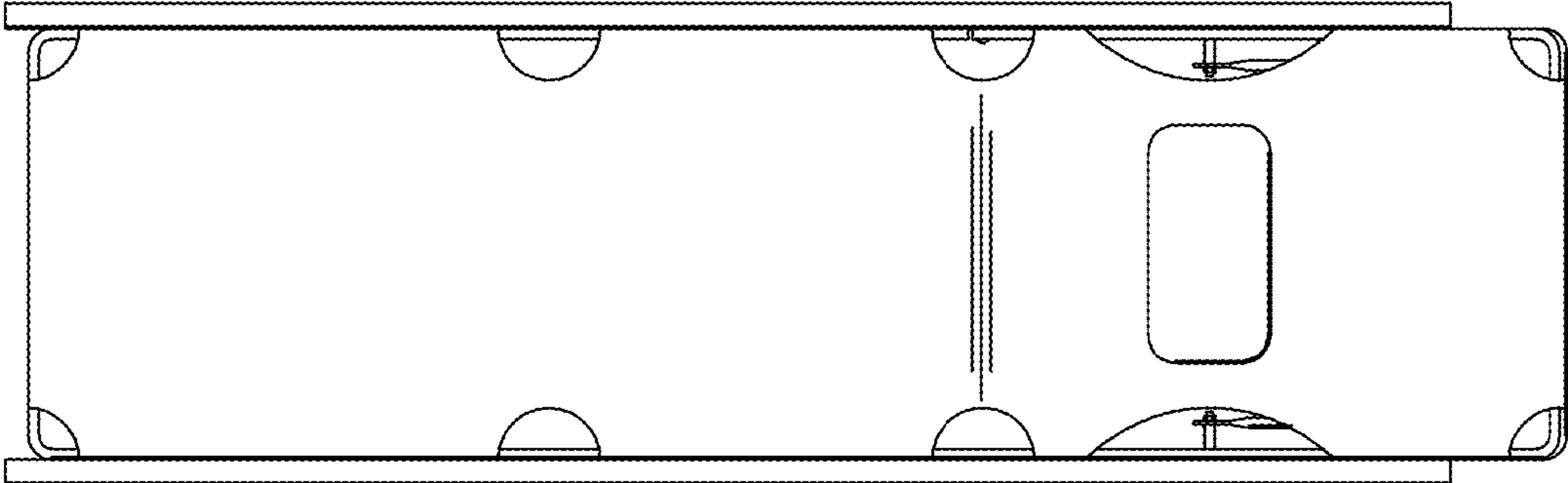


FIG. 5

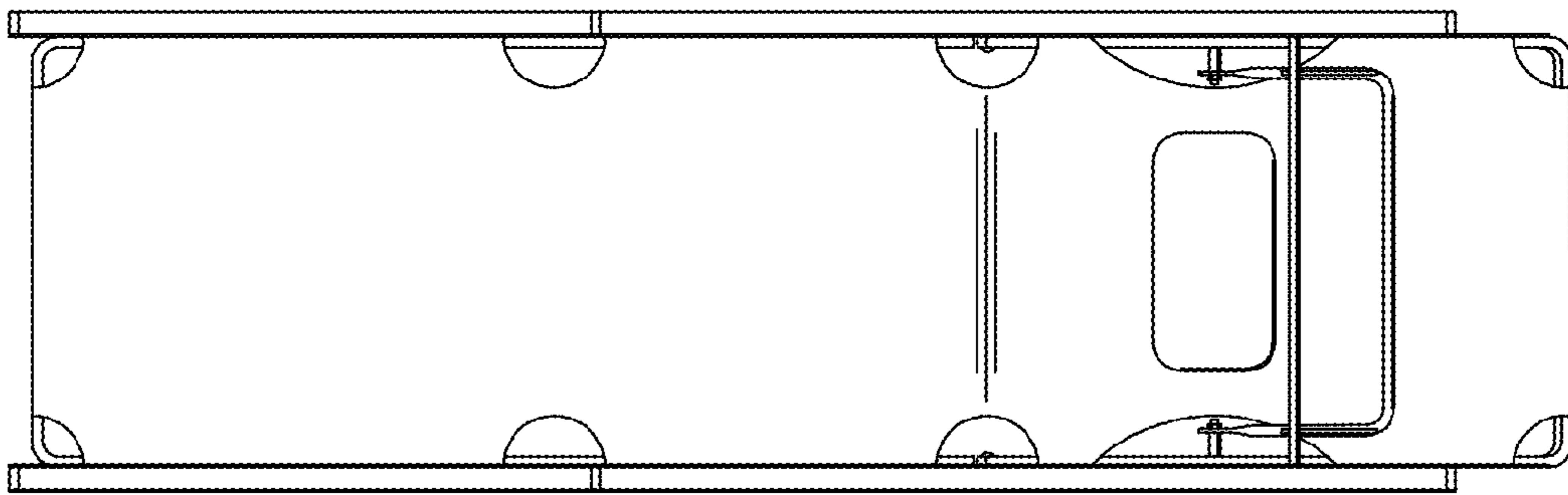


FIG. 6

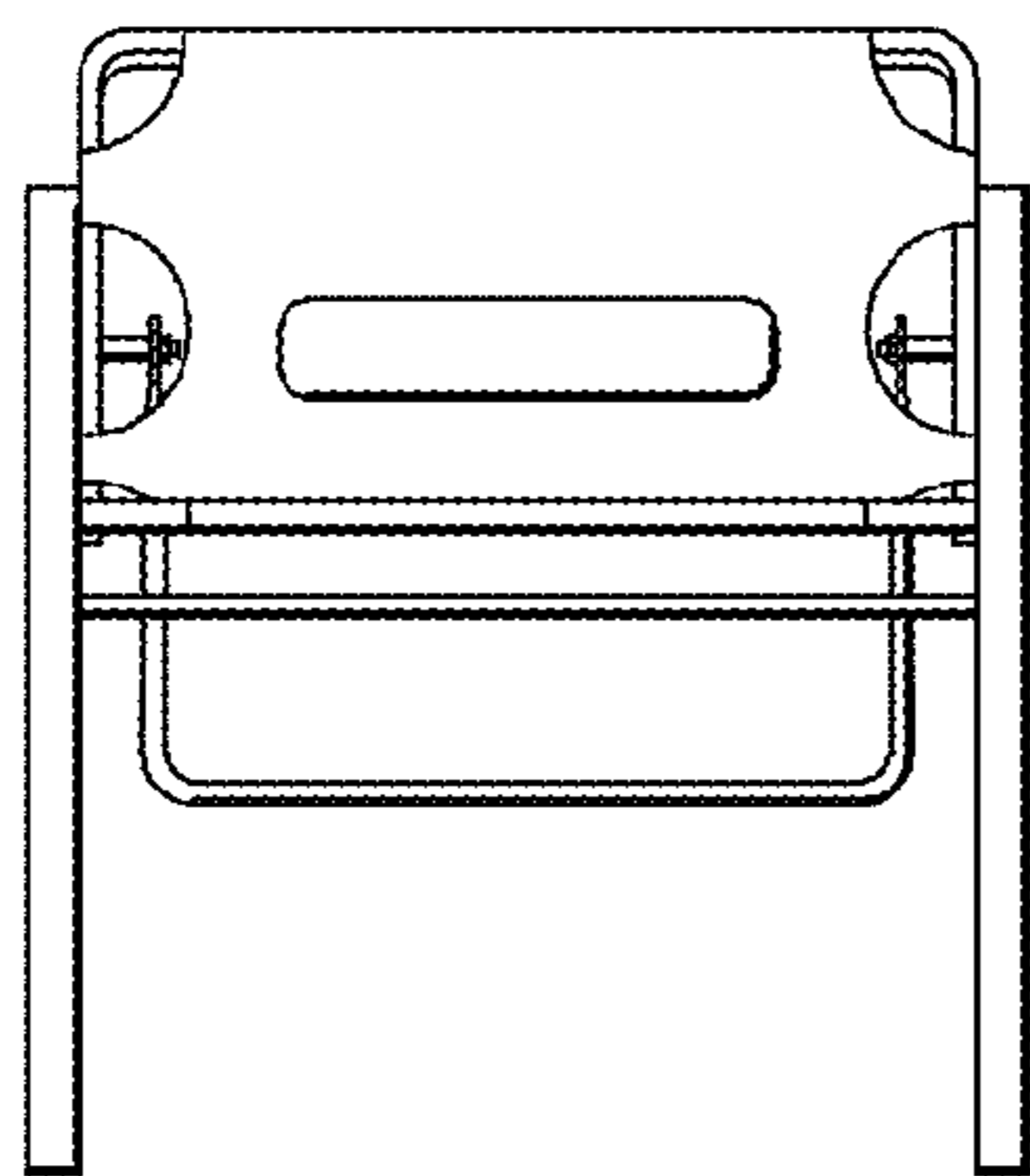


FIG. 7

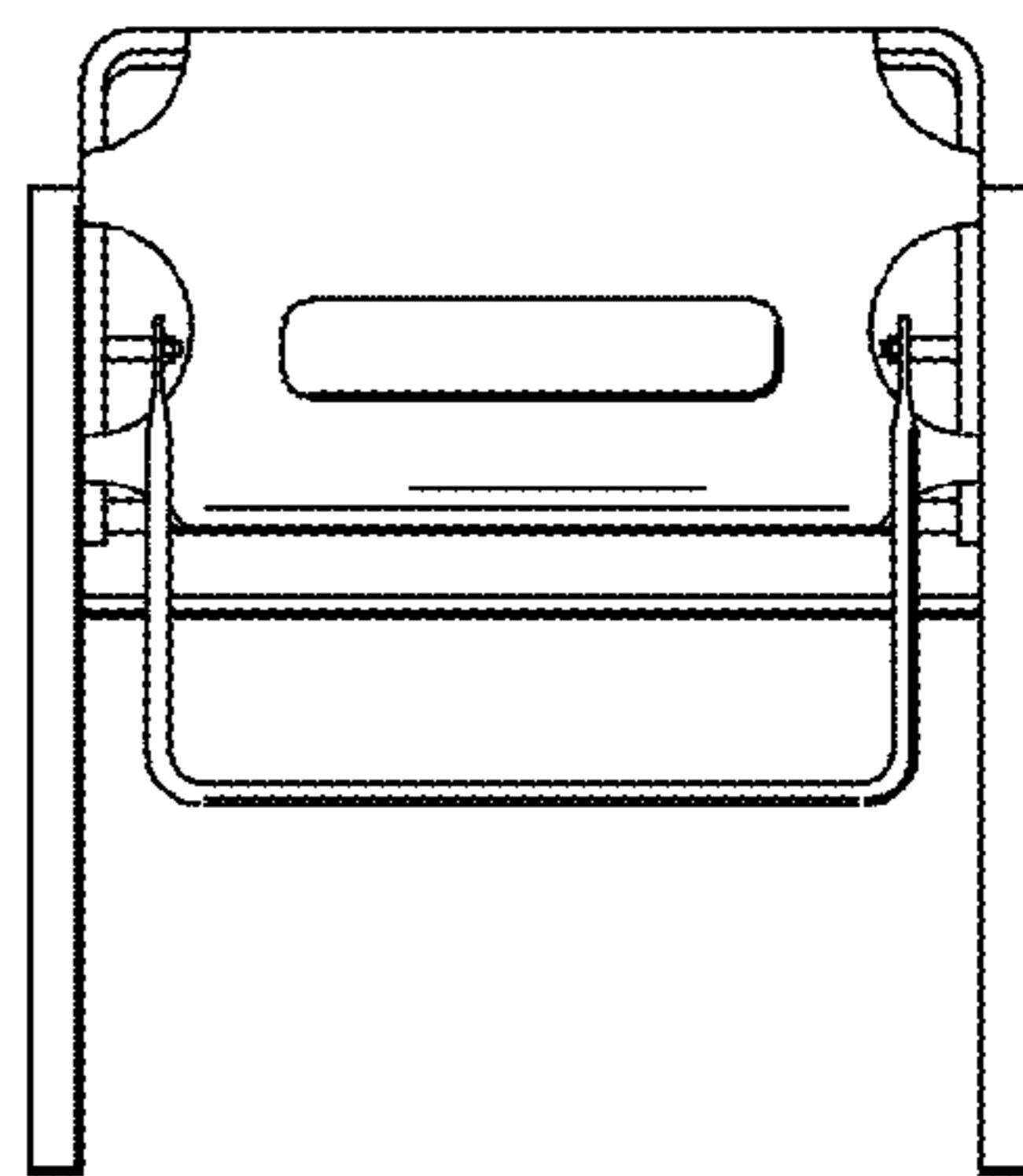


FIG. 8

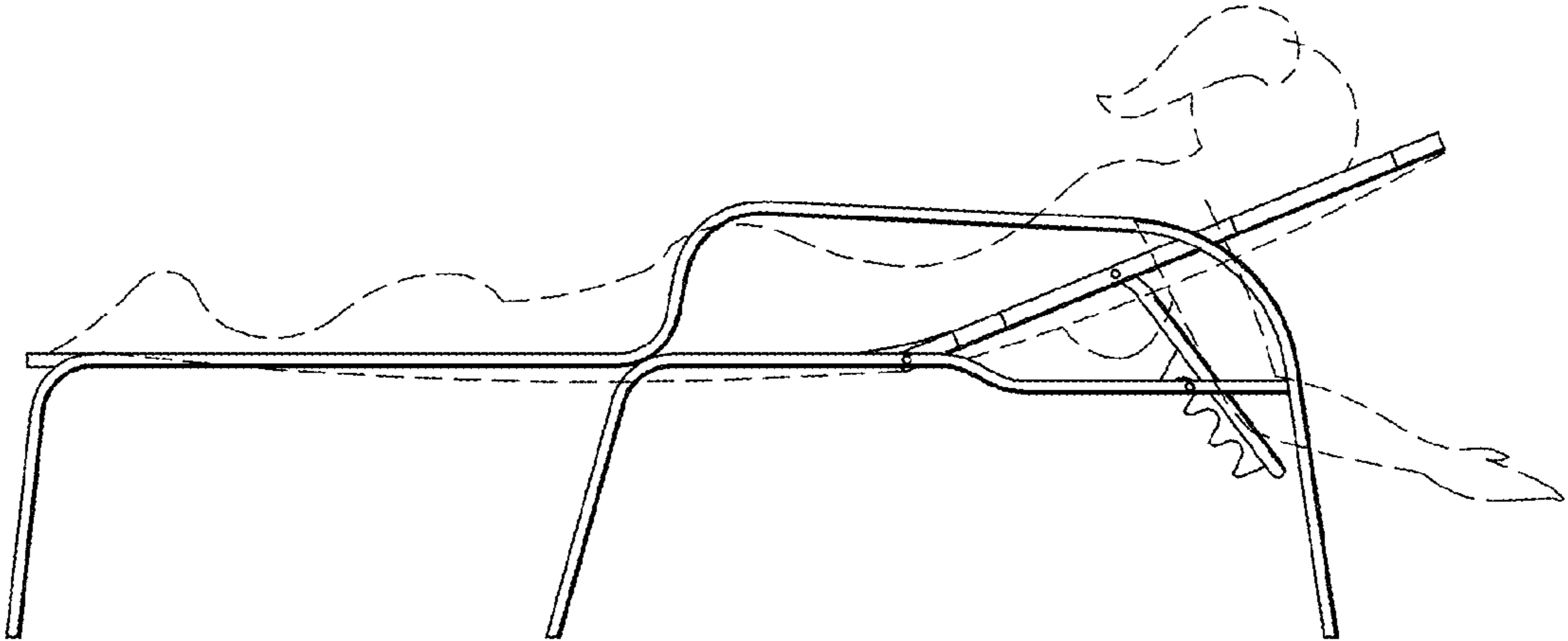


FIG. 10

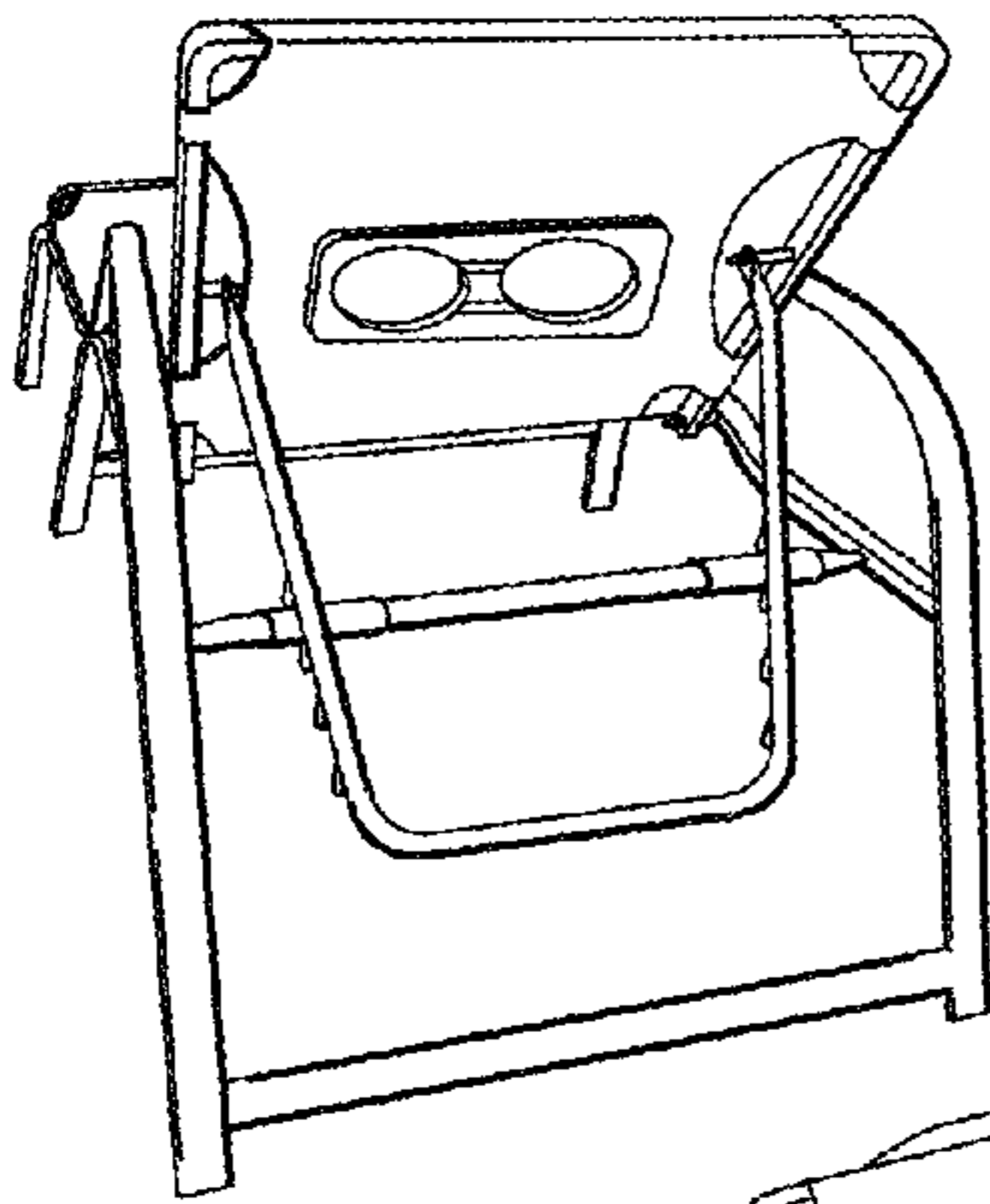


FIG. 9

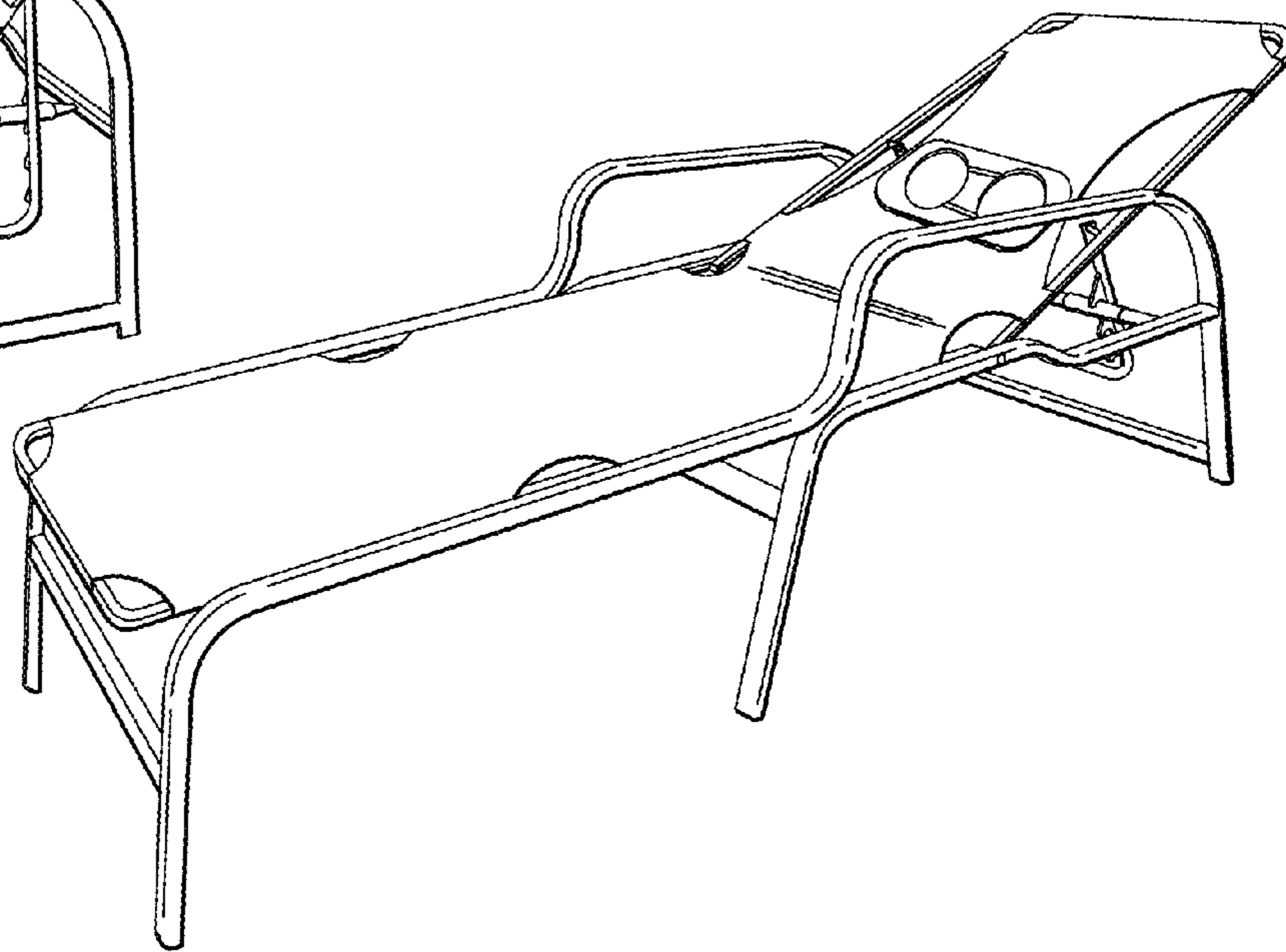


FIG. 11

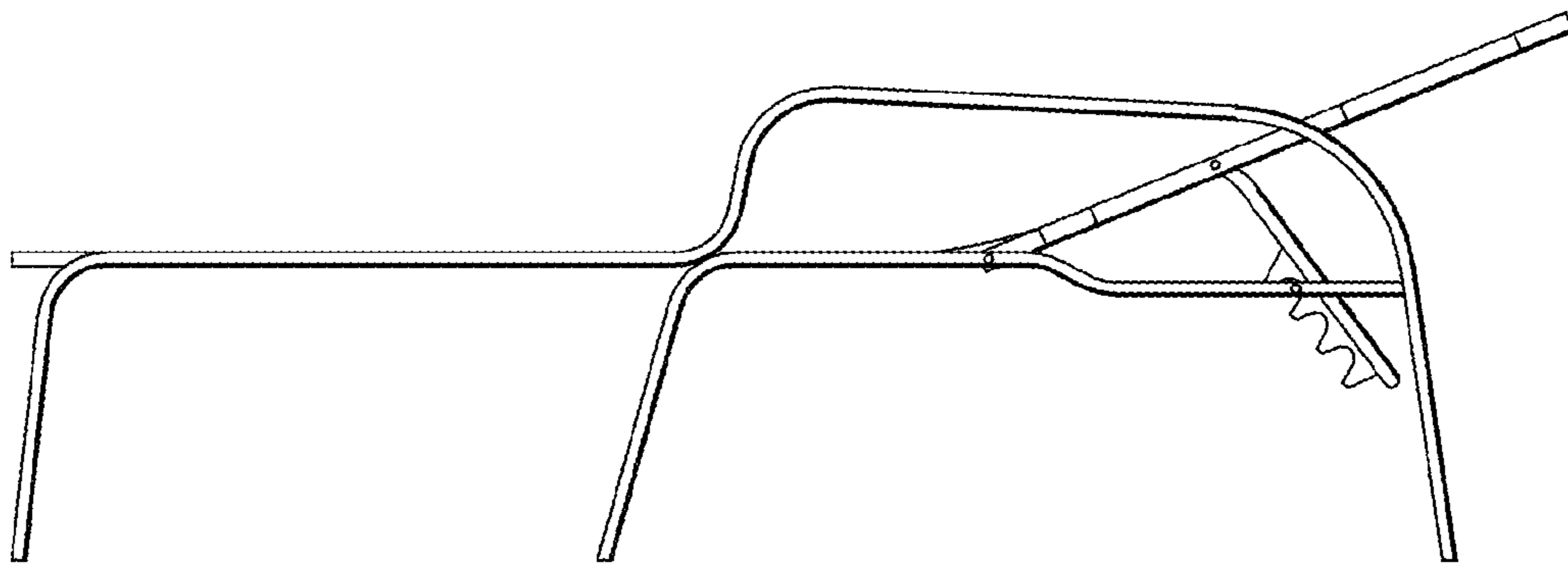


FIG. 12

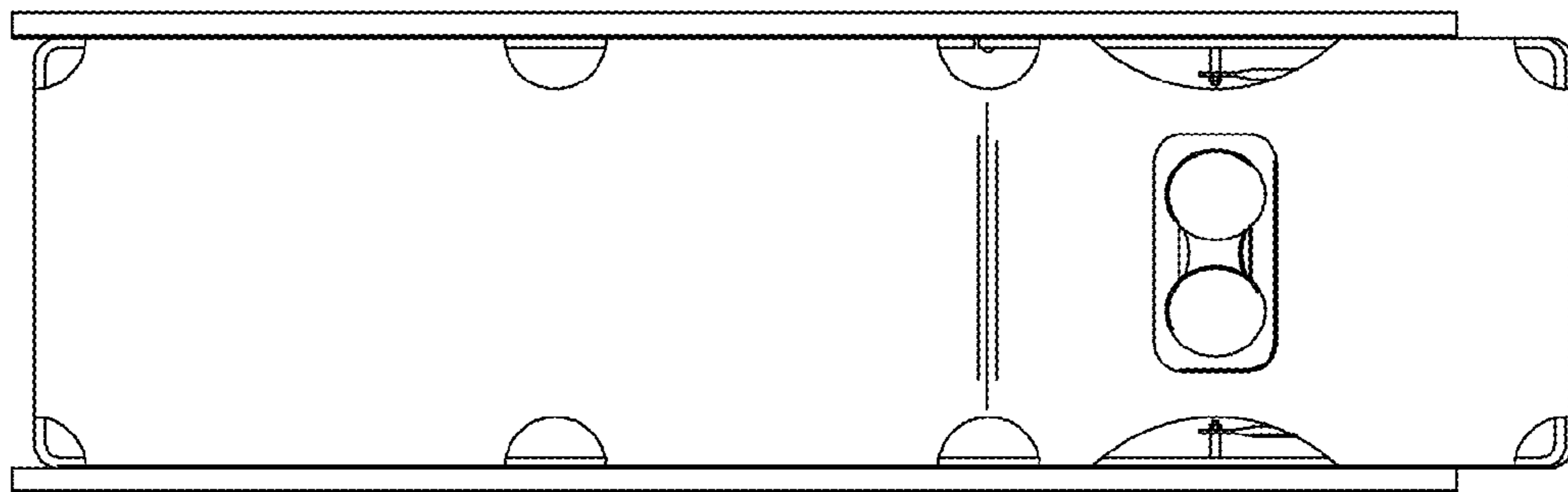


FIG. 13

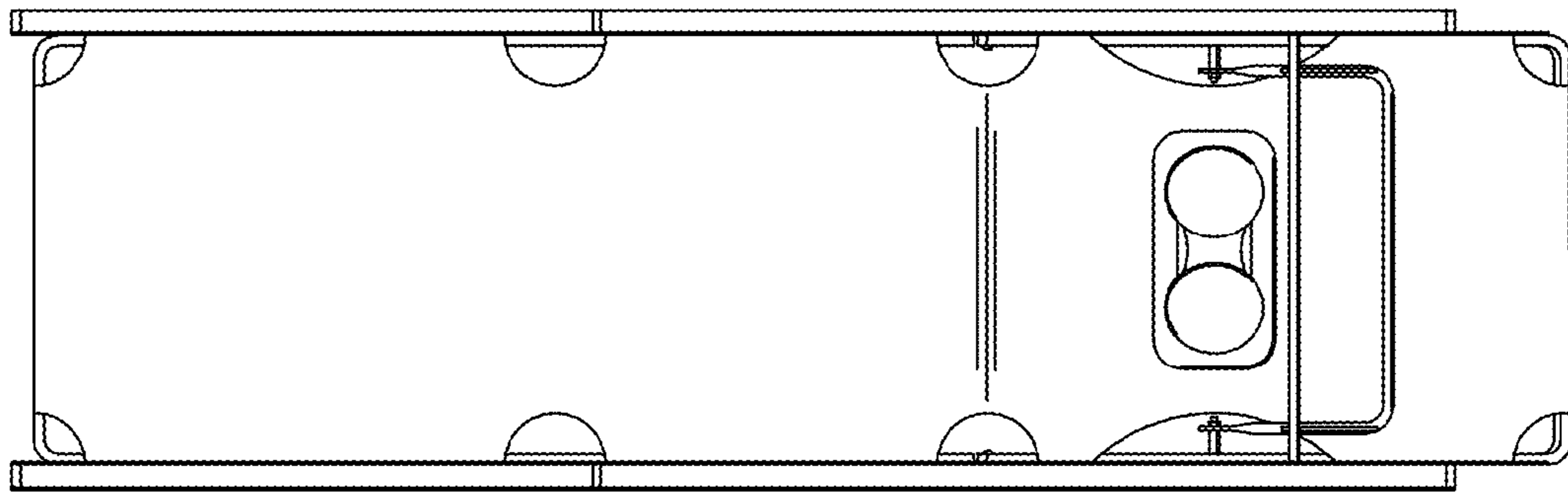


FIG. 14

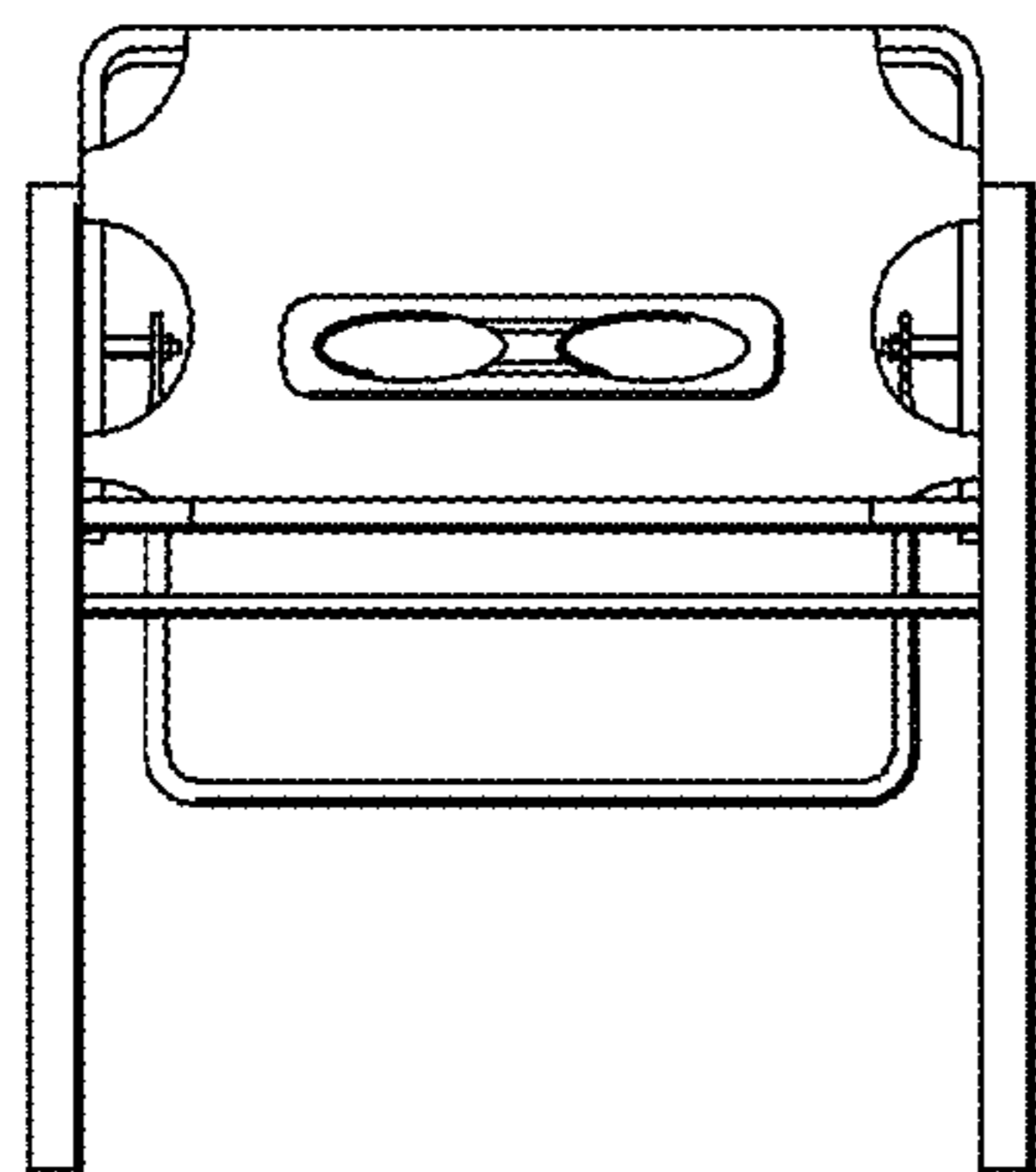


FIG. 15

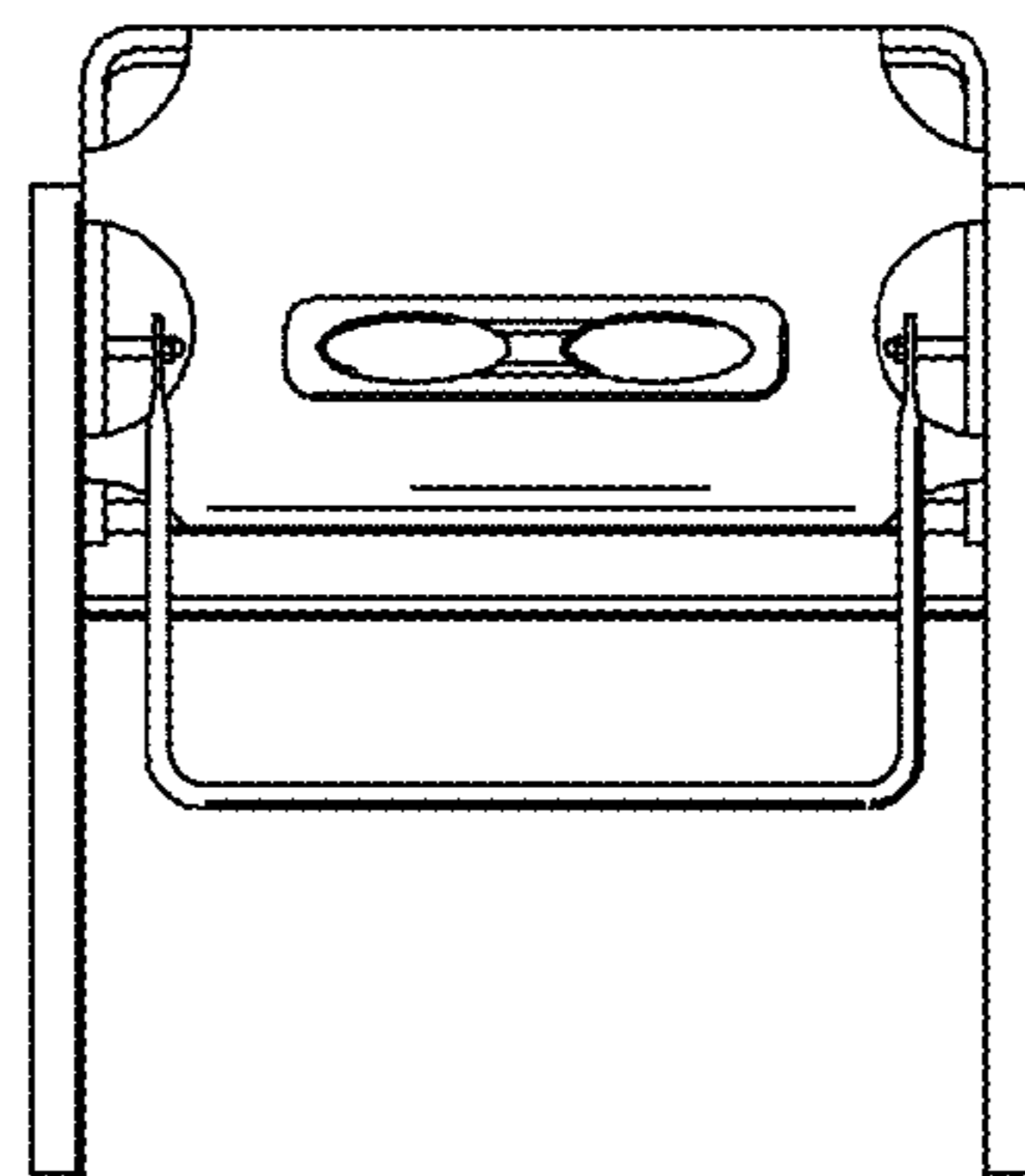


FIG. 16

