



US00D733441S

(12) **United States Design Patent**  
**McGrath et al.**

(10) **Patent No.:** **US D733,441 S**  
(45) **Date of Patent:** **\*\* Jul. 7, 2015**

(54) **WALL COMPONENT COMPRISING A BOOTH**

(71) Applicant: **Google Inc.**, Mountain View, CA (US)

(72) Inventors: **Lachlan McGrath**, Cupertino, CA (US);  
**Bennett J. Mathews**, San Francisco, CA (US)

(73) Assignee: **GOOGLE INC.**, Mountain View, CA (US)

(\*\*) Term: **14 Years**

(21) Appl. No.: **29/507,947**

(22) Filed: **Oct. 31, 2014**

(51) **LOC (10) Cl.** ..... **06-01**

(52) **U.S. Cl.**

USPC ..... **D6/335; D6/356**

(58) **Field of Classification Search**

USPC ..... D6/335, 336, 337, 338, 640, 643, 643.1,  
D6/644, 406.1, 406.2, 406.3, 356, 334,  
D6/381; D12/318, 345; D25/16  
CPC ..... A47C 17/00; A47C 17/02; A47C 17/12;  
A47C 17/18; A47C 7/021; A47C 31/00;  
A47C 3/16

See application file for complete search history.

(56) **References Cited**

**U.S. PATENT DOCUMENTS**

D182,240 S \* 3/1958 Mackay ..... D16/215  
D245,706 S \* 9/1977 McAllister ..... D25/16

D314,869 S \* 2/1991 Entratter ..... D6/335  
D324,873 S \* 3/1992 Thayer ..... D16/215  
5,784,651 A \* 7/1998 Mauchan ..... 396/2  
6,085,195 A \* 7/2000 Hoyt et al. .... 1/1  
D638,551 S \* 5/2011 Gann ..... D25/16  
2005/0108954 A1 \* 5/2005 Sola ..... 52/79.1  
2008/0005974 A1 \* 1/2008 Delgado Vazquez et al. . 52/36.1

\* cited by examiner

*Primary Examiner* — Sandra Snapp

(74) *Attorney, Agent, or Firm* — Leason Ellis LLP

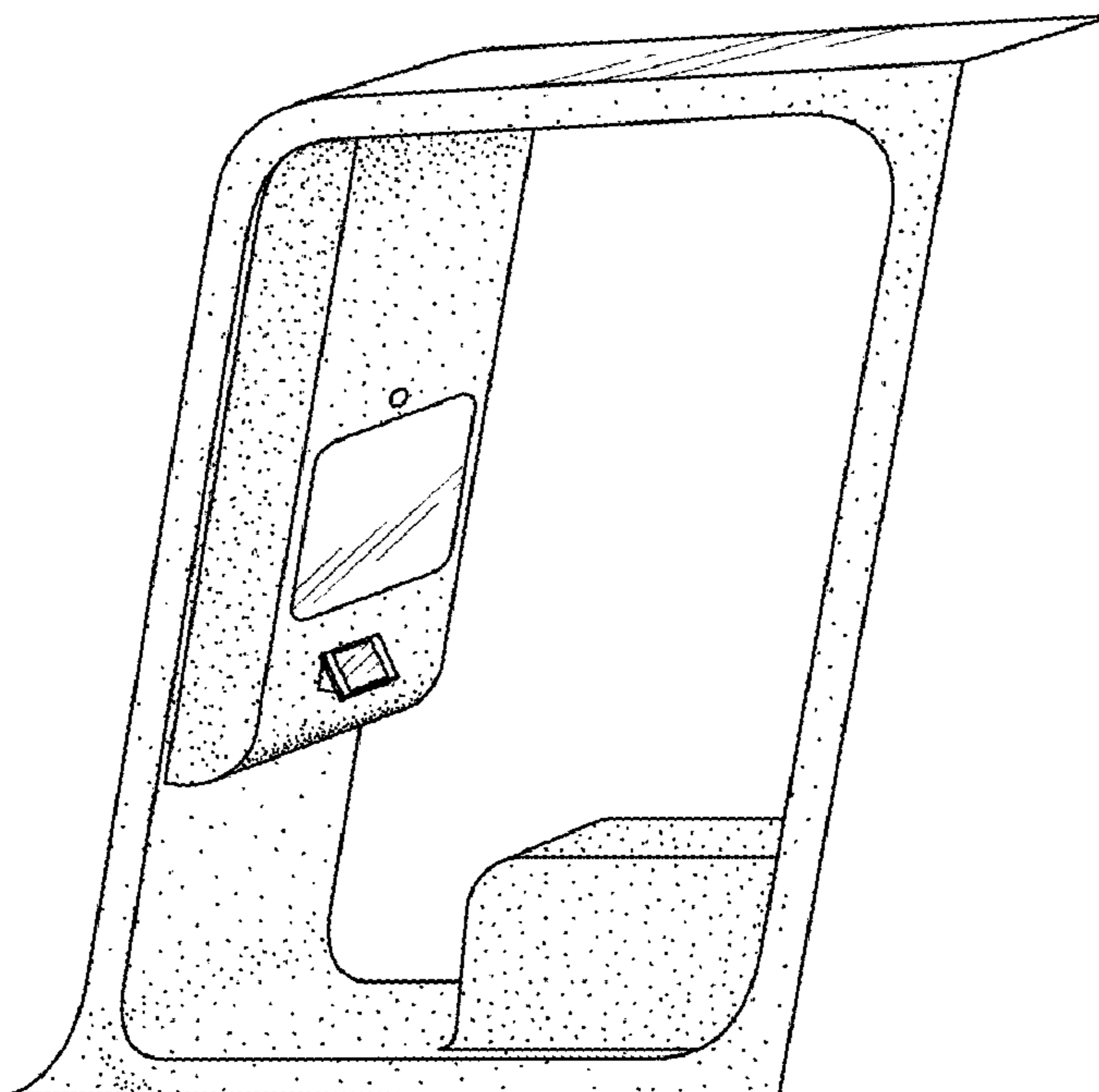
(57) **CLAIM**

The ornamental design for a wall component comprising a booth, as shown and described.

**DESCRIPTION**

FIG. 1 is a first perspective view of a wall component comprising a booth according to our new design;  
FIG. 2 is a second perspective view of the design of FIG. 1 shown rotated relative thereto;  
FIG. 3 is a side view of FIG. 2;  
FIG. 4 is a side view of FIG. 1;  
FIG. 5 is a sectional plan view taken along lines 5-5 of FIG. 3;  
FIG. 6 is a sectional plan view taken along lines 6-6 of FIG. 3;  
FIG. 7 is a sectional plan view taken along lines 7-7 of FIG. 4; and,  
FIG. 8 is a sectional plan view taken along lines 8-8 of FIG. 4. The dash-dash broken lines illustrate environmental structure and form no part of the claimed design.

**1 Claim, 3 Drawing Sheets**



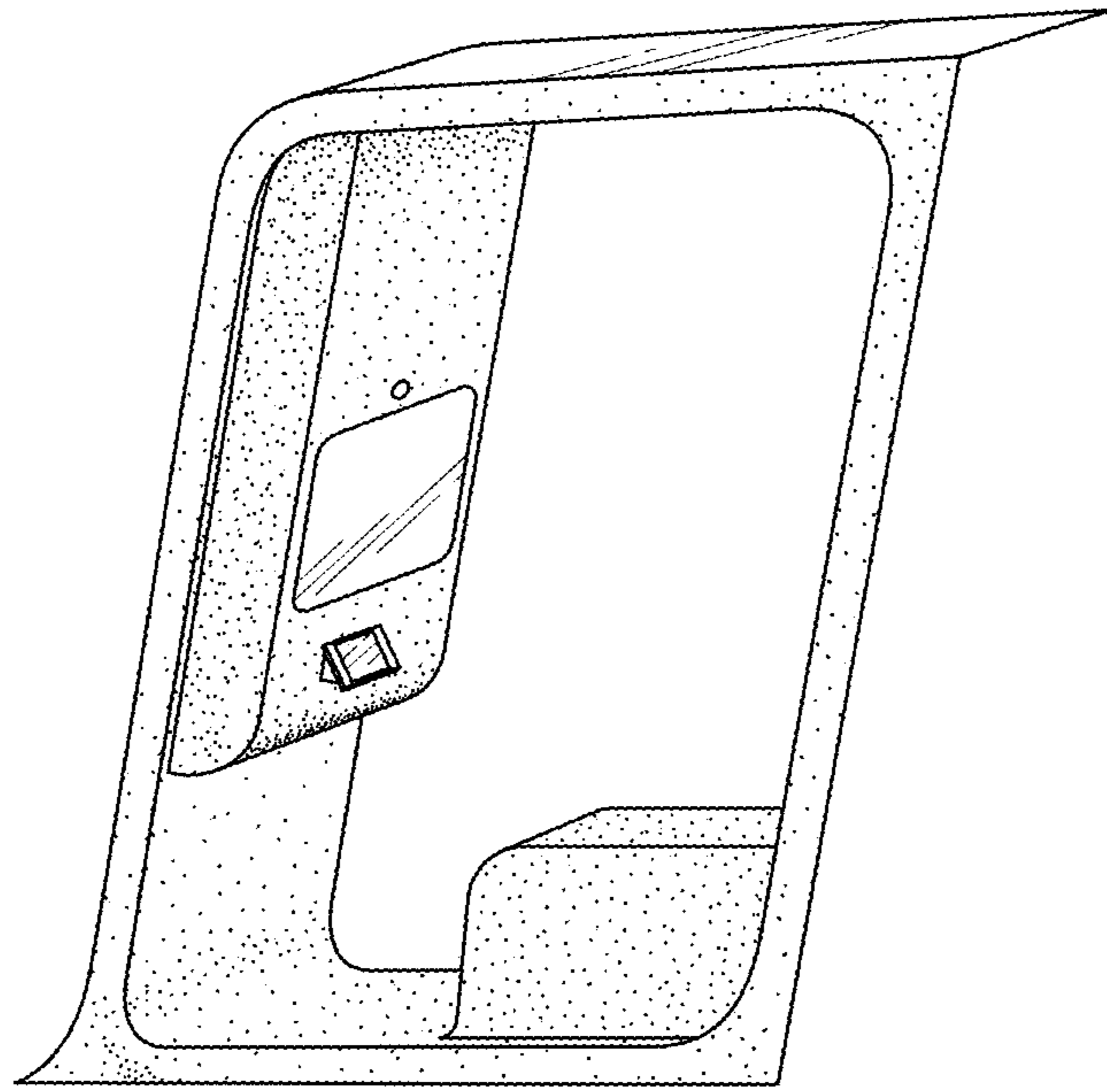


Fig. 1

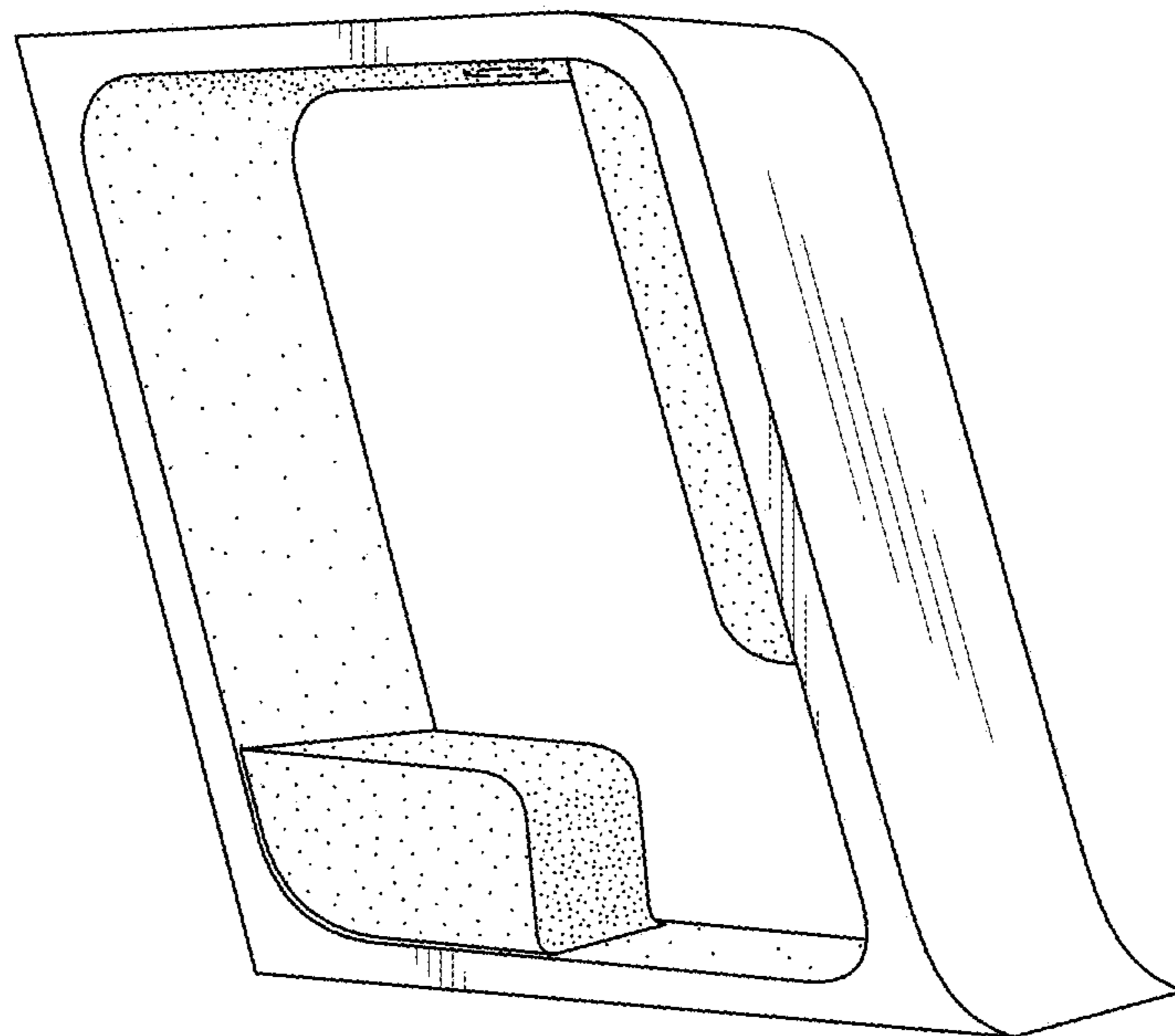


Fig. 2

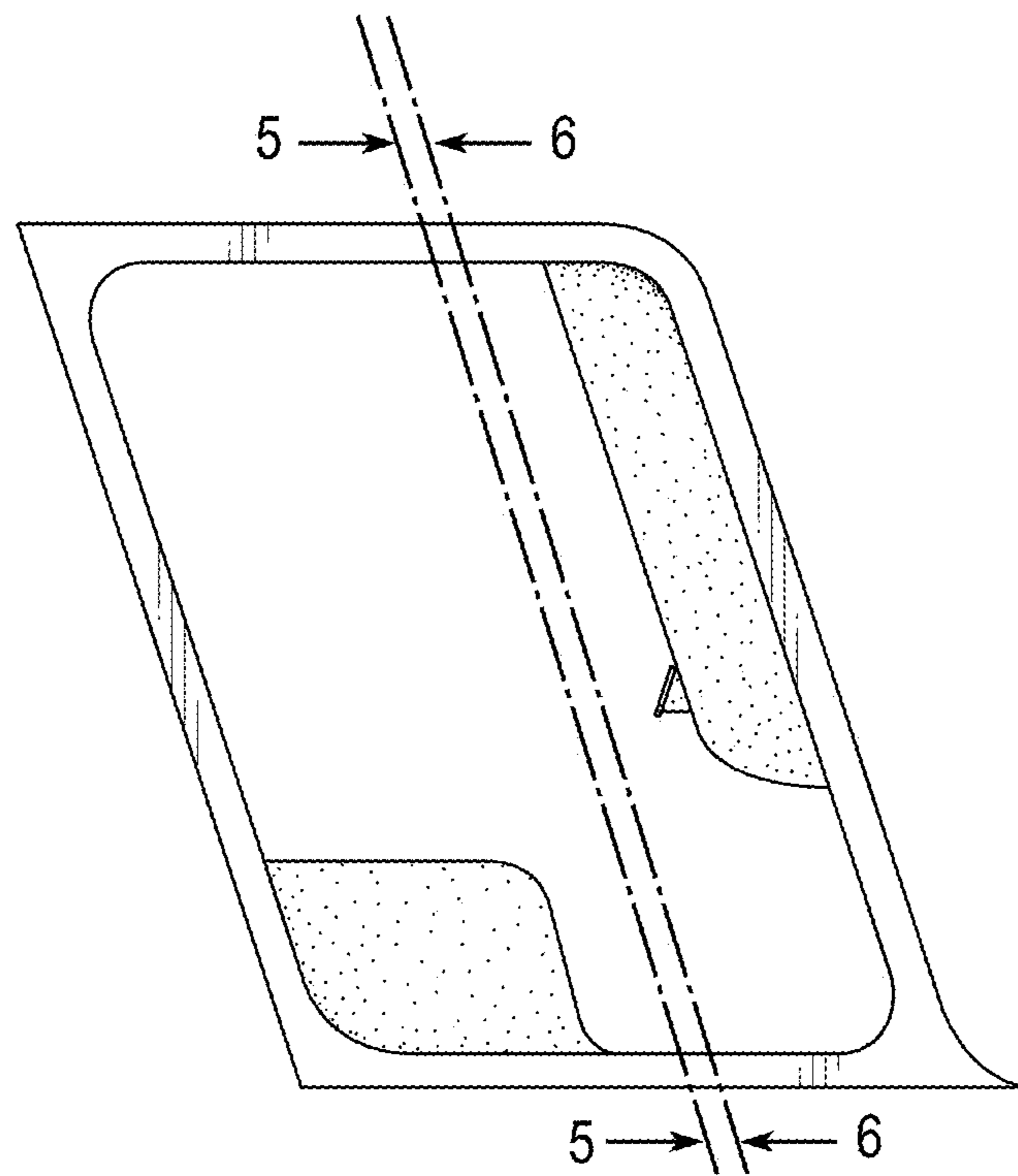


Fig. 3

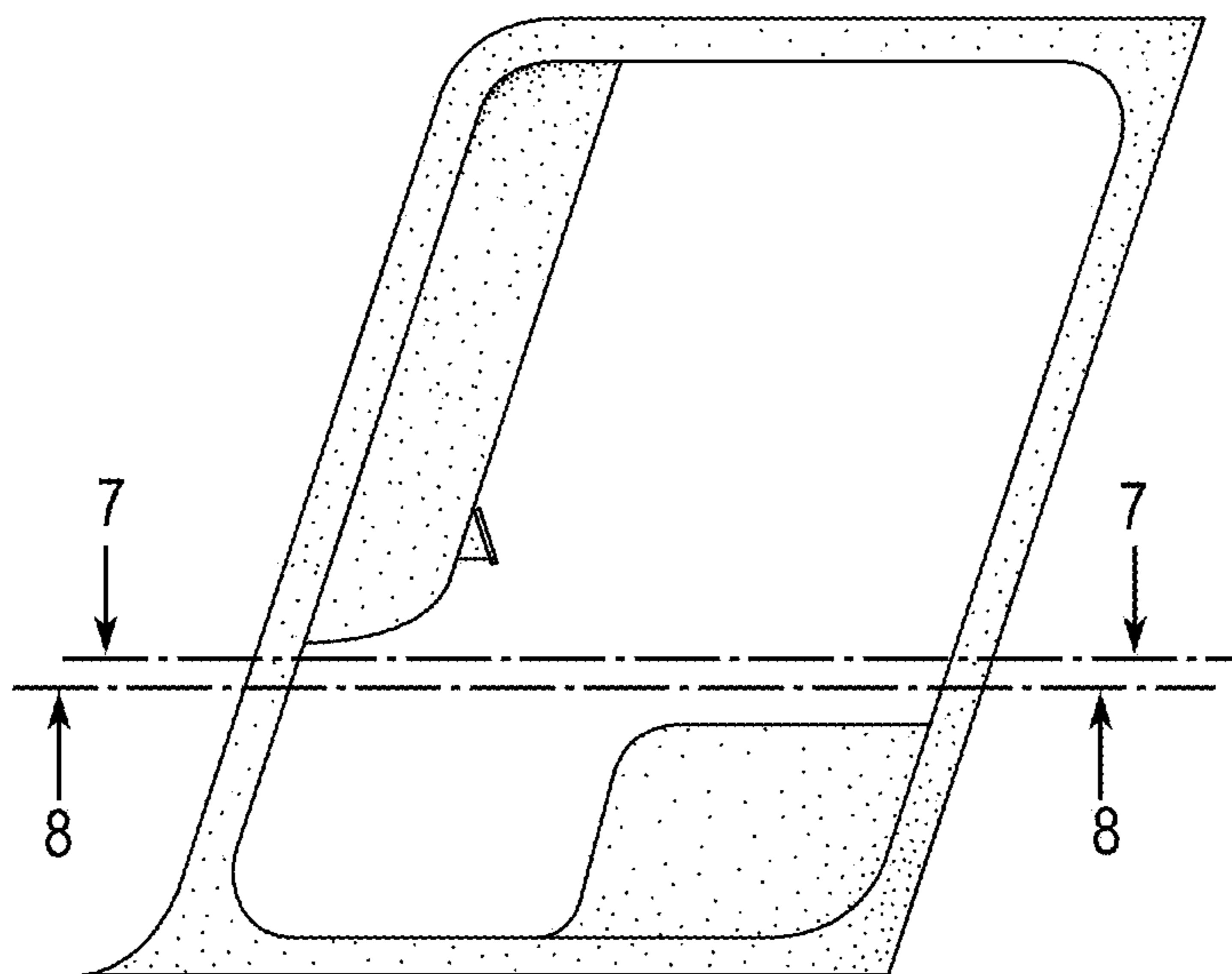


Fig. 4

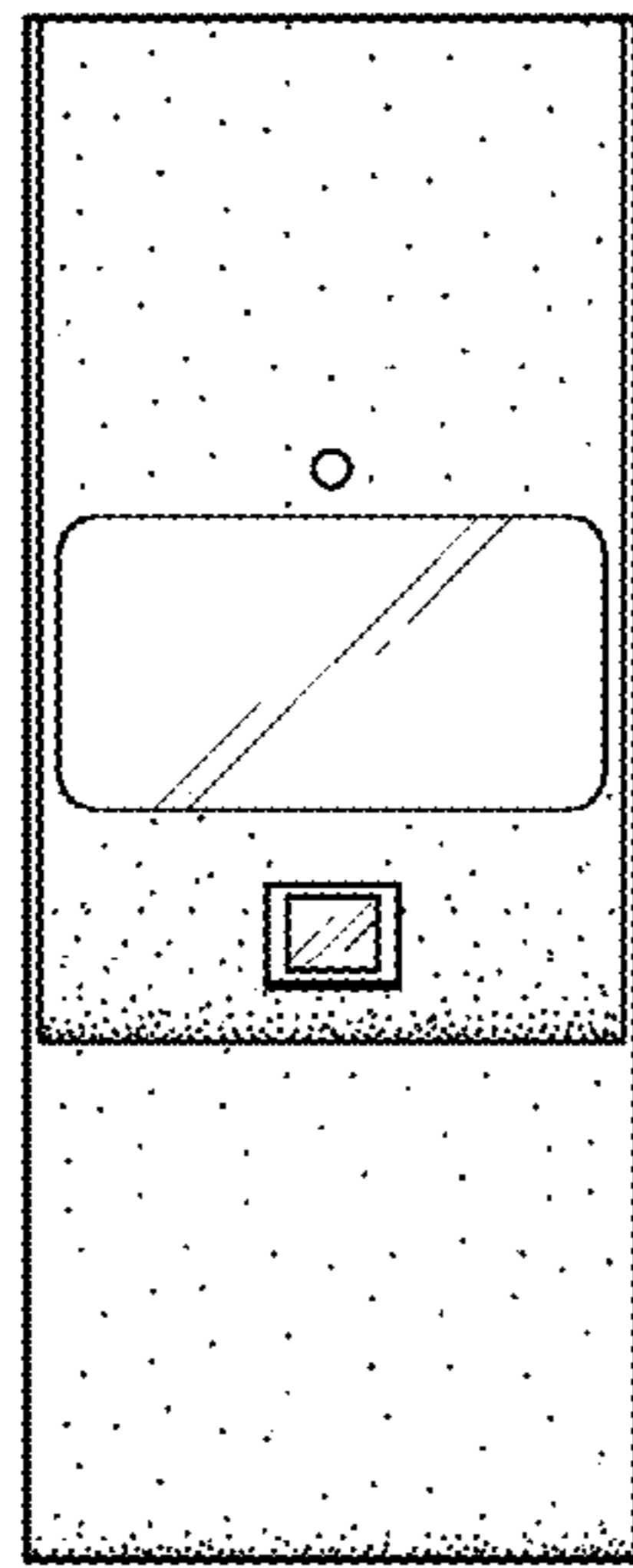


Fig. 5

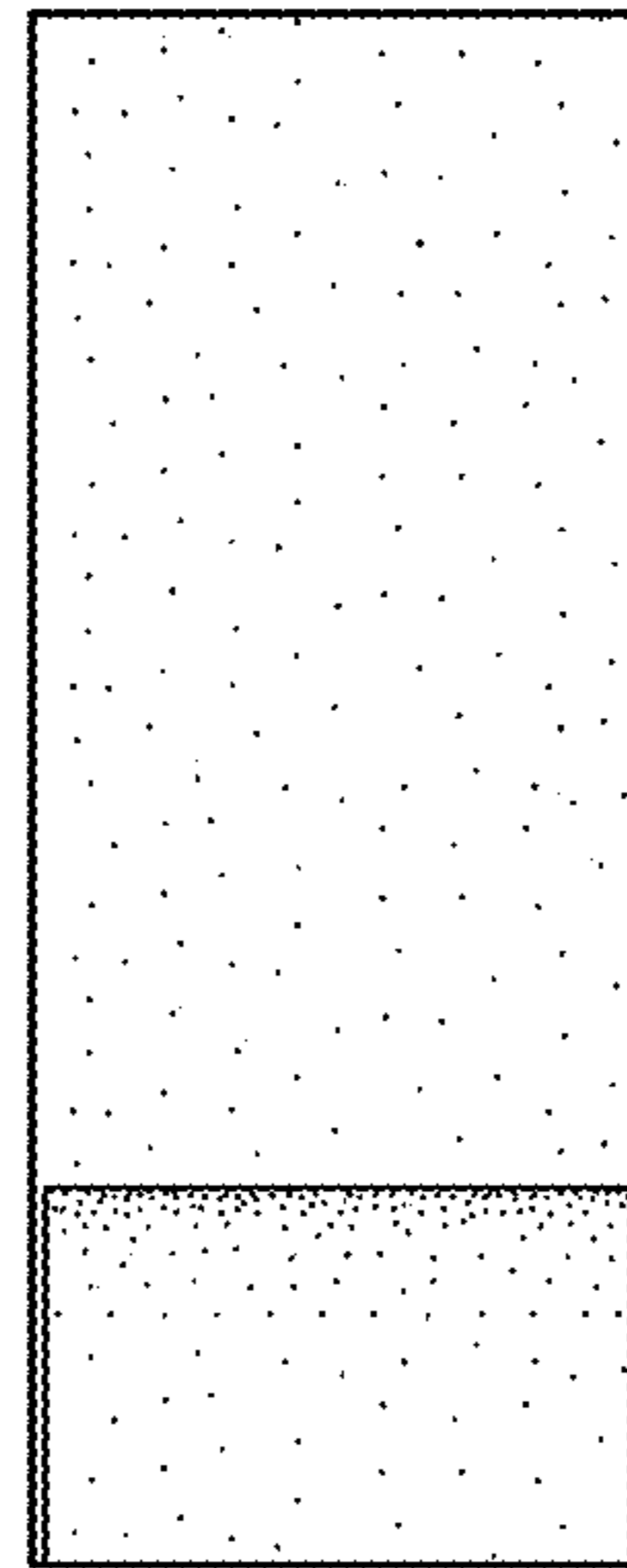


Fig. 6

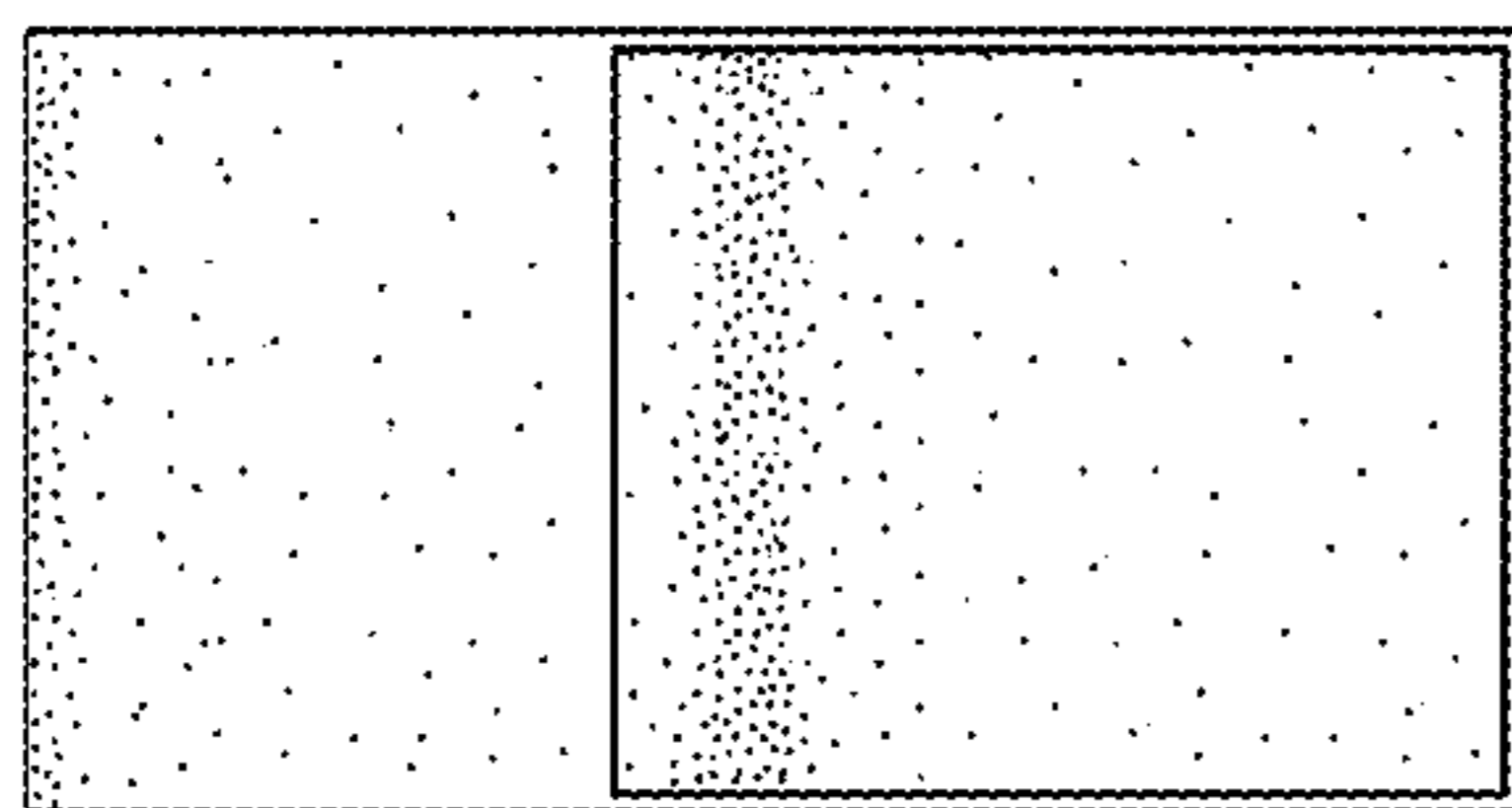


Fig. 7

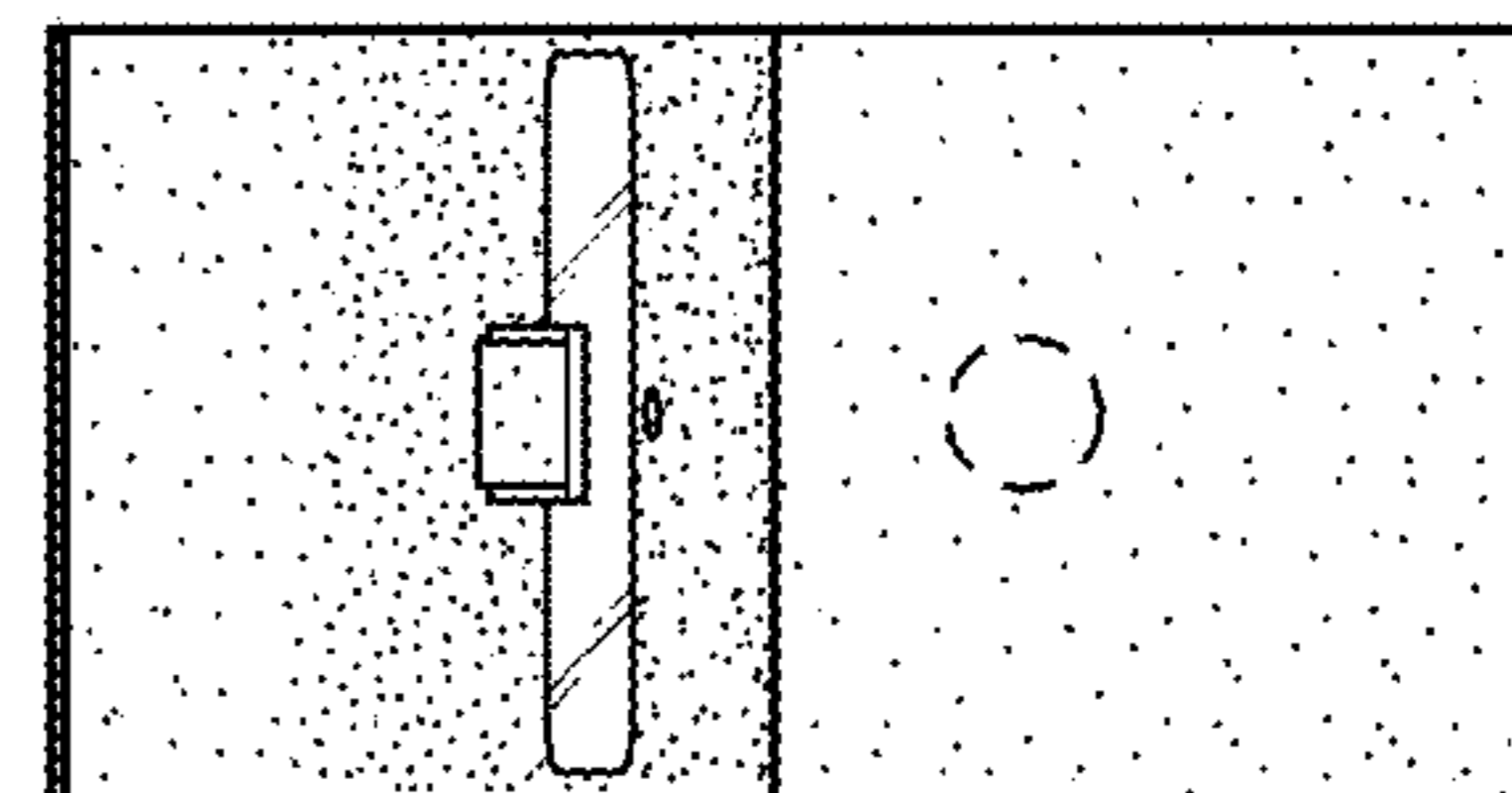


Fig. 8