



US00D733440S

(12) **United States Design Patent**
McGarth et al.

(10) **Patent No.:** **US D733,440 S**
(45) **Date of Patent:** **** Jul. 7, 2015**

(54) **WALL COMPONENT COMPRISING A POD**

(71) Applicant: **Google Inc.**, Mountain View, CA (US)

(72) Inventors: **Lachlan McGarth**, Cupertino, CA (US);
Bennett J. Mathews, San Francisco, CA (US)

(73) Assignee: **GOOGLE INC.**, Mountain View, CA (US)

(**) Term: **14 Years**

(21) Appl. No.: **29/507,943**

(22) Filed: **Oct. 31, 2014**

(51) **LOC (10) Cl.** **06-01**

(52) **U.S. Cl.**

USPC **D6/335; D6/356**

(58) **Field of Classification Search**

USPC D6/335, 336, 337, 338, 640, 643, 643.1,
D6/644, 406.1, 406.2, 406.3, 356, 334,
D6/381; D12/318, 345; D25/16

CPC A47C 17/00; A47C 17/02; A47C 17/12;
A47C 17/18; A47C 7/021; A47C 31/00;
A47C 3/16

See application file for complete search history.

(56) **References Cited**

U.S. PATENT DOCUMENTS

D182,240 S * 3/1958 Mackay D16/215
D245,706 S * 9/1977 McAllister D25/16

D314,869 S * 2/1991 Entratter D6/335
D324,873 S * 3/1992 Thayer D16/215
5,784,651 A * 7/1998 Mauchan 396/2
6,085,195 A * 7/2000 Hoyt et al. 1/1
D638,551 S * 5/2011 Gann D25/16
2005/0108954 A1* 5/2005 Sola 52/79.1
2008/0005974 A1* 1/2008 Delgado Vazquez et al. . 52/36.1

* cited by examiner

Primary Examiner — Sandra Snapp

(74) *Attorney, Agent, or Firm* — Leason Ellis LLP

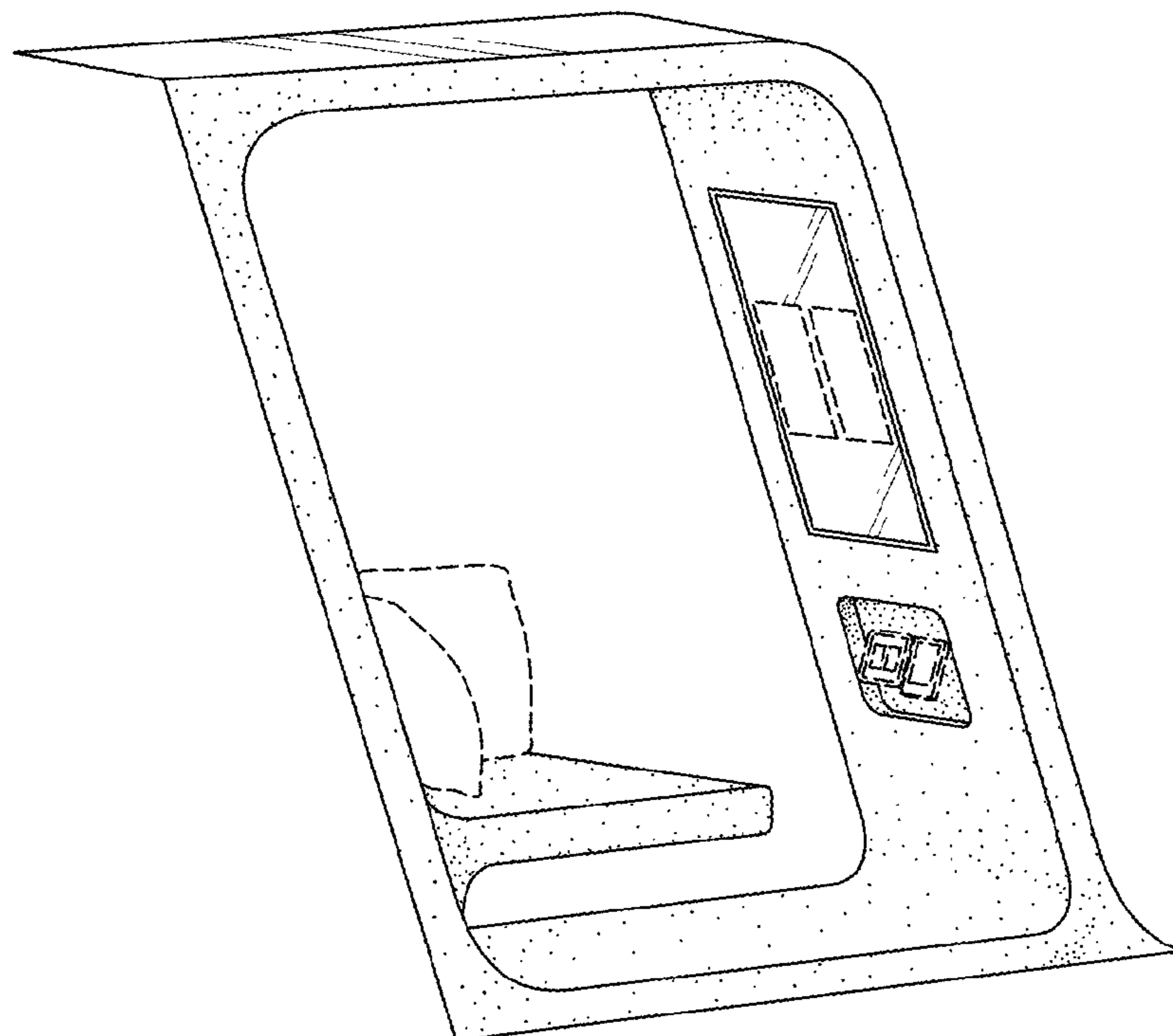
(57) **CLAIM**

The ornamental design for a wall component comprising a pod, as shown and described.

DESCRIPTION

FIG. 1 is a perspective view of a wall component comprising a pod according to our new design;
FIG. 2 is a perspective view of the design of FIG. 1 shown rotated 180 degrees as seen from a lower height;
FIG. 3 is a side view of FIG. 2;
FIG. 4 is a side view of FIG. 1;
FIG. 5 is a sectional plan view taken along lines 5-5 of FIG. 3;
FIG. 6 is a sectional plan view taken along lines 6-6 of FIG. 3;
FIG. 7 is a sectional plan view taken along lines 7-7 of FIG. 4;
and,
FIG. 8 is a sectional plan view taken along lines 8-8 of FIG. 4.
The dash-dash broken lines illustrate environmental structure and form no part of the claimed design.

1 Claim, 3 Drawing Sheets



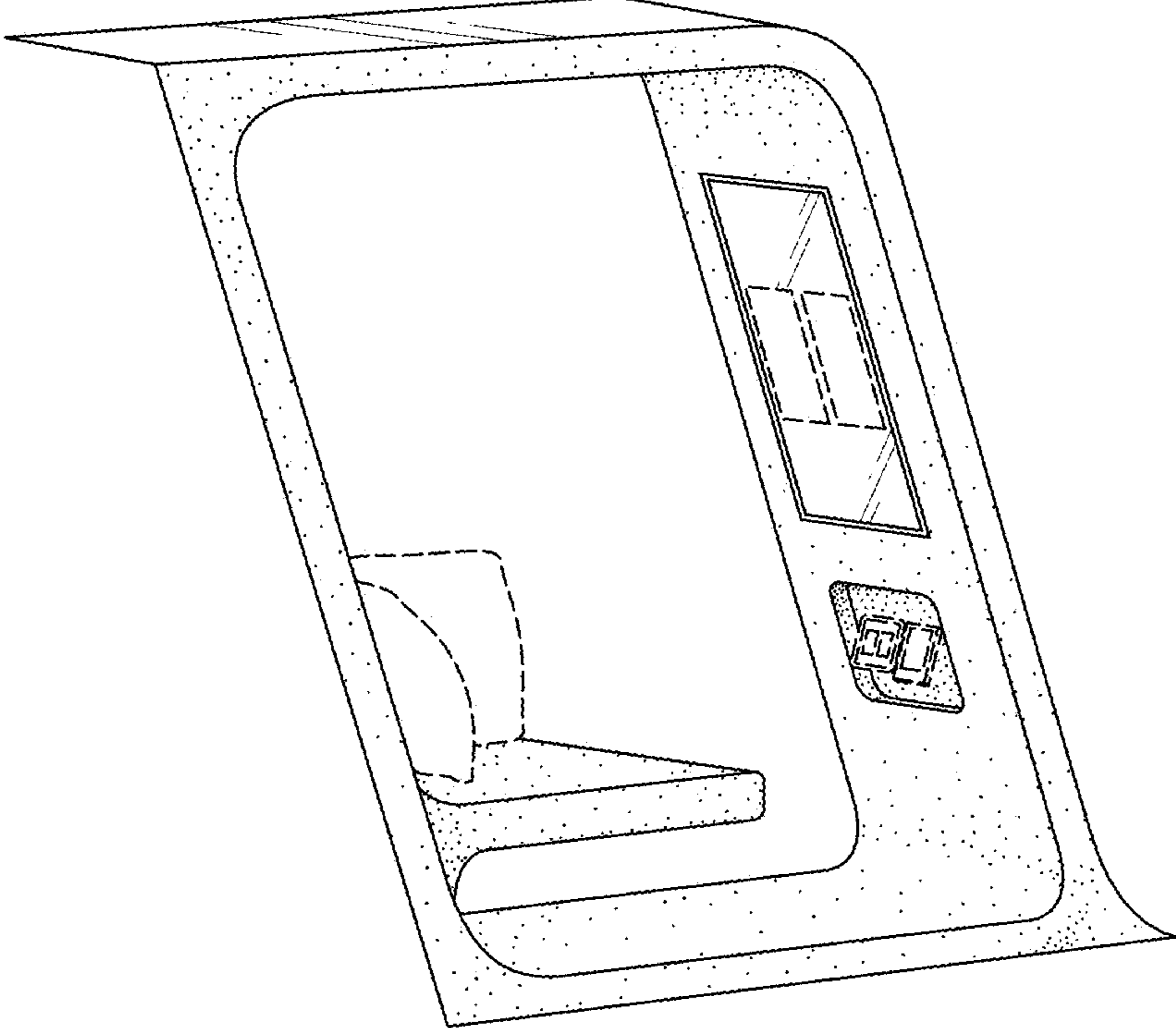


Fig. 1

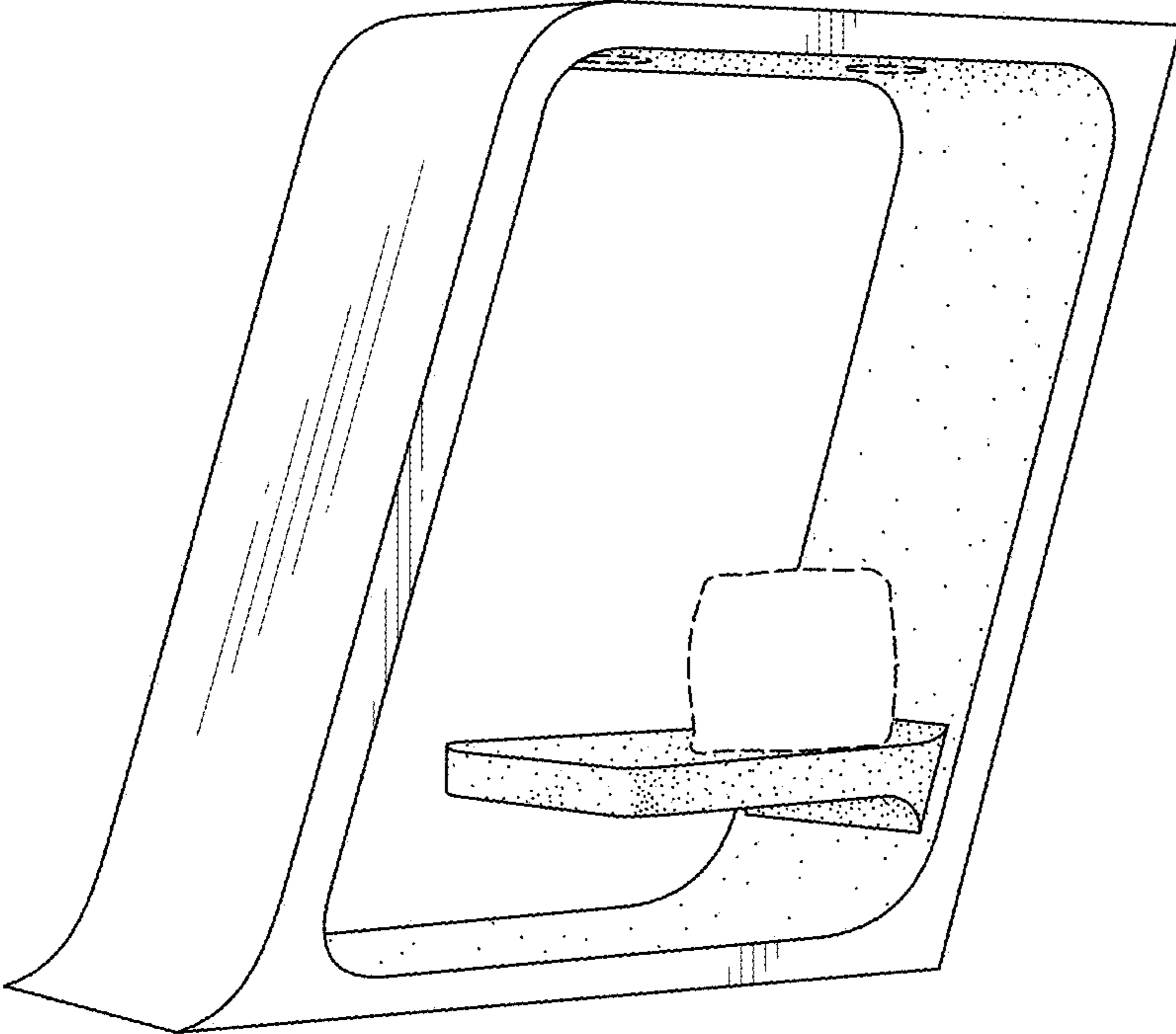


Fig. 2

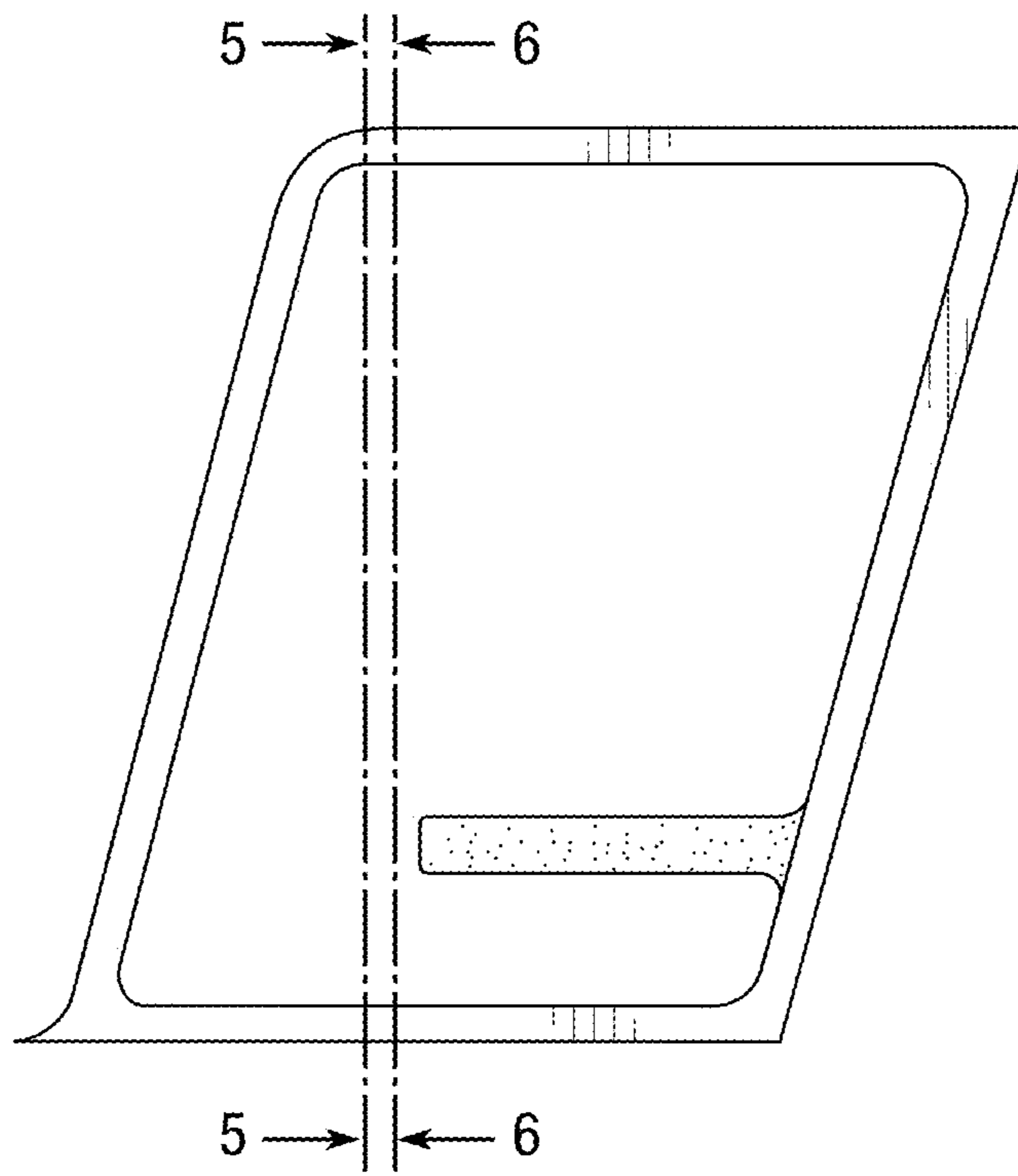


Fig. 3

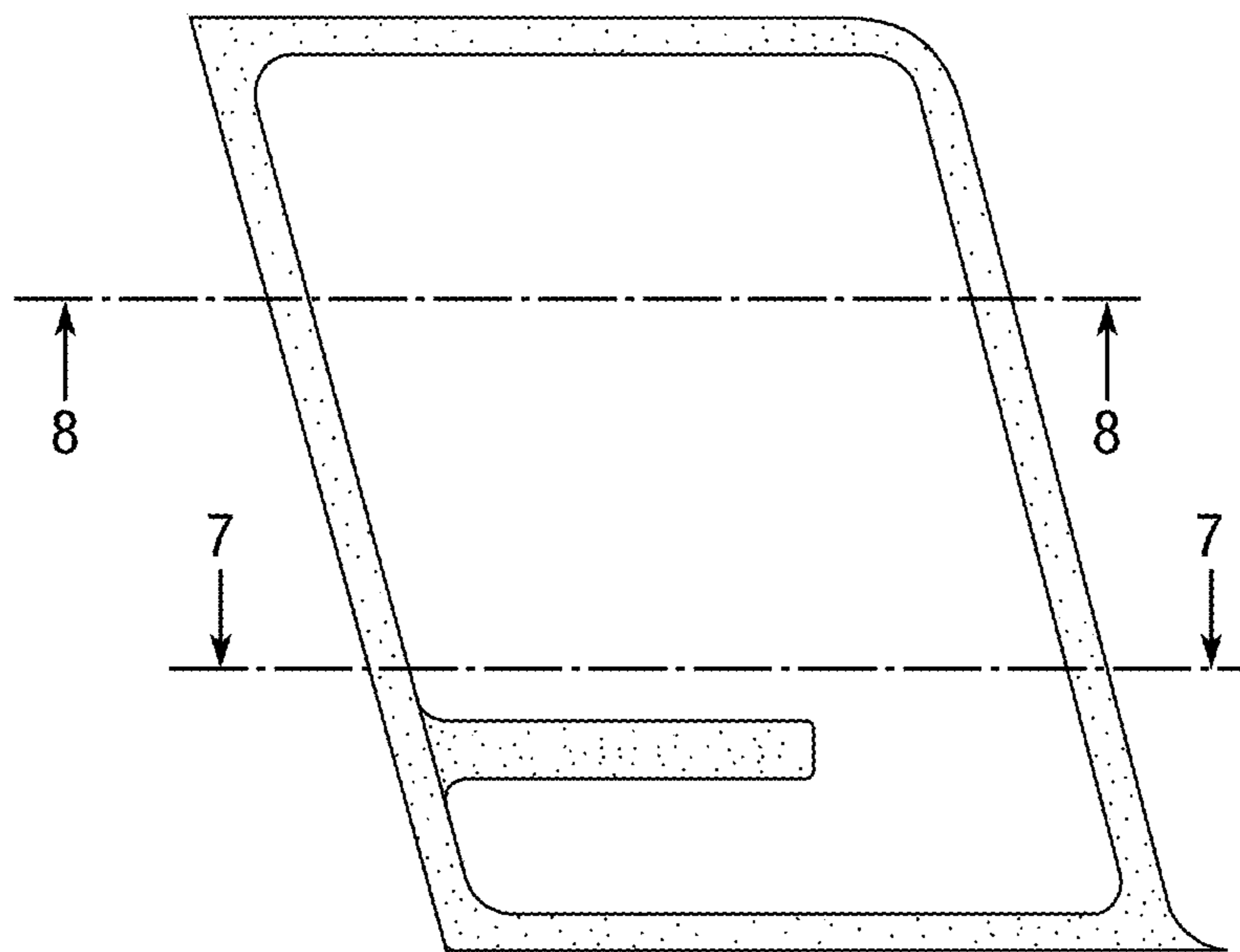


Fig. 4

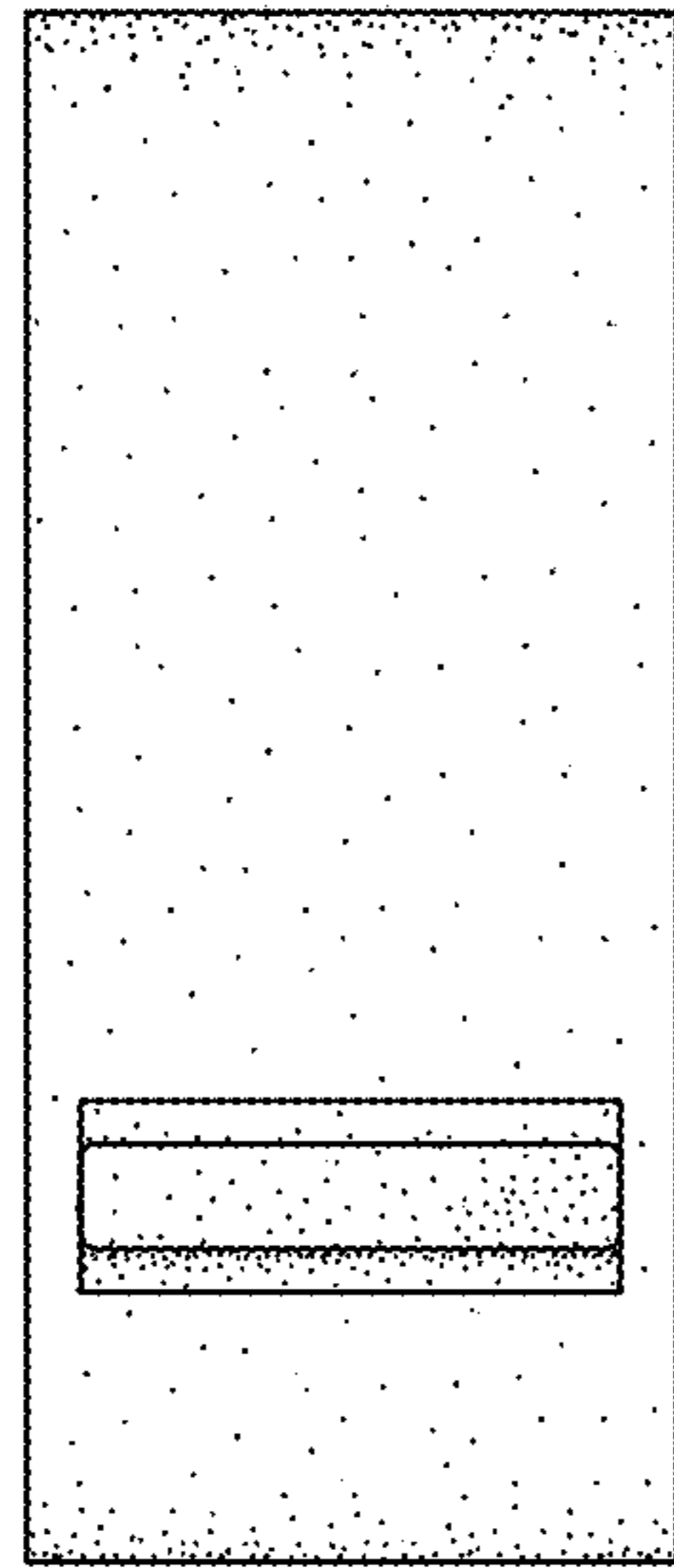


Fig. 5

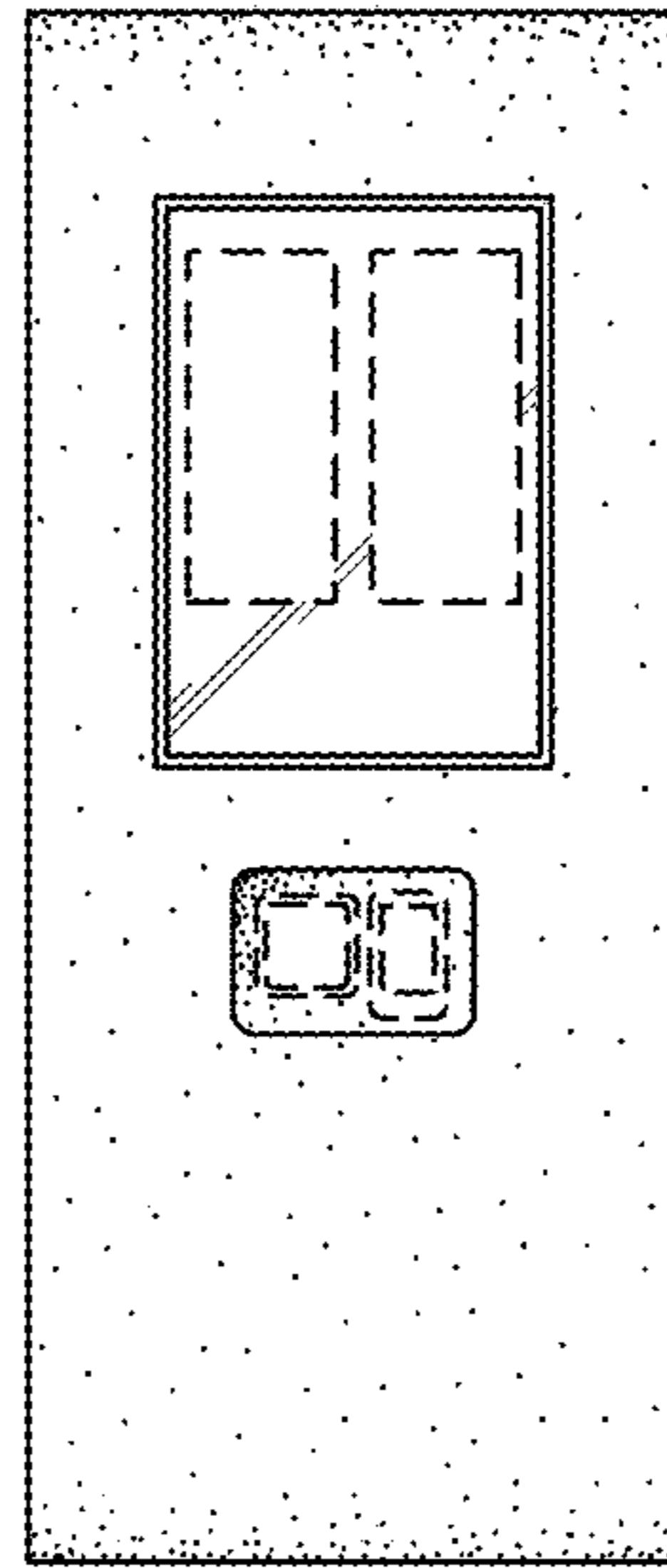


Fig. 6

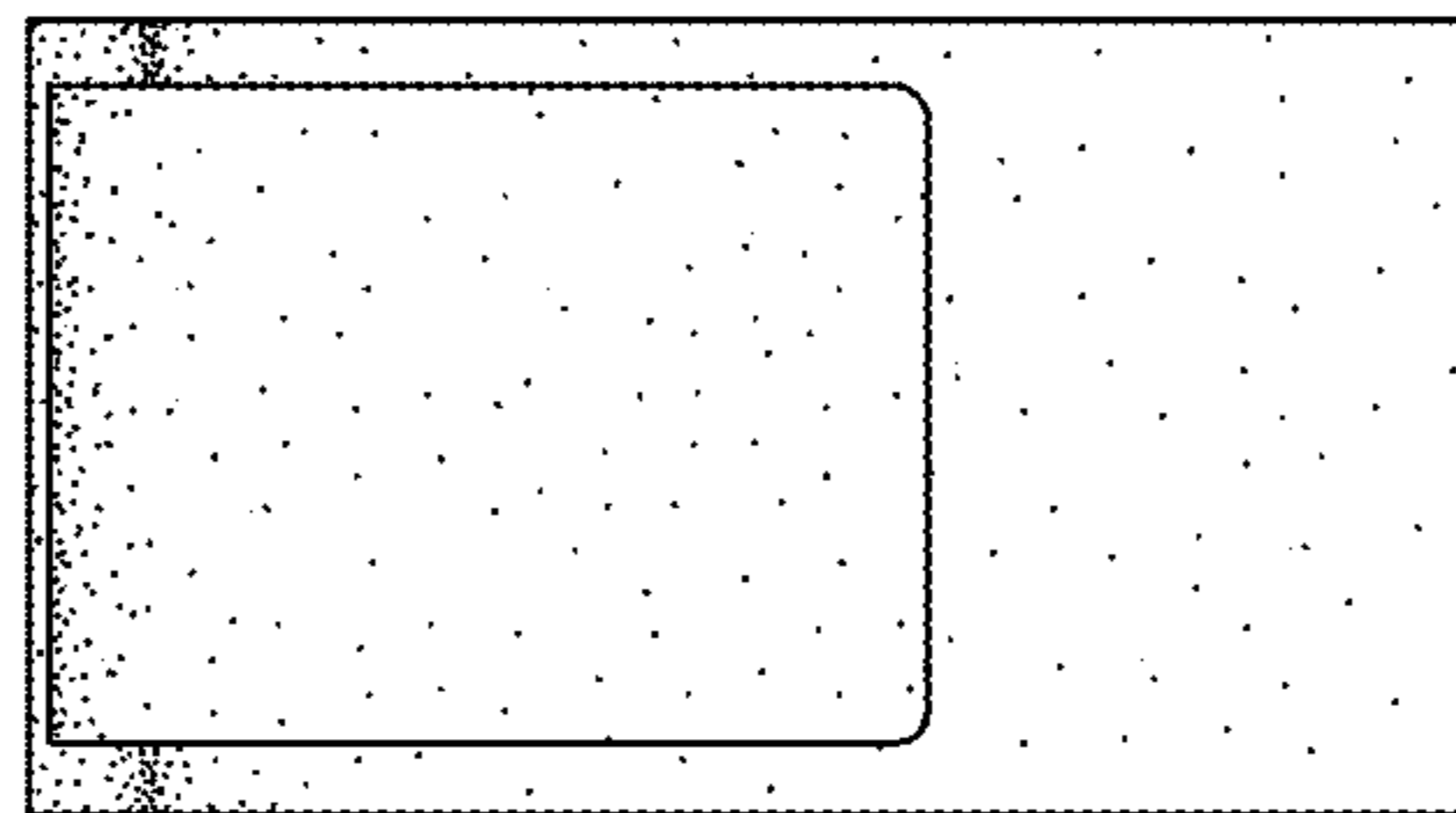


Fig. 7

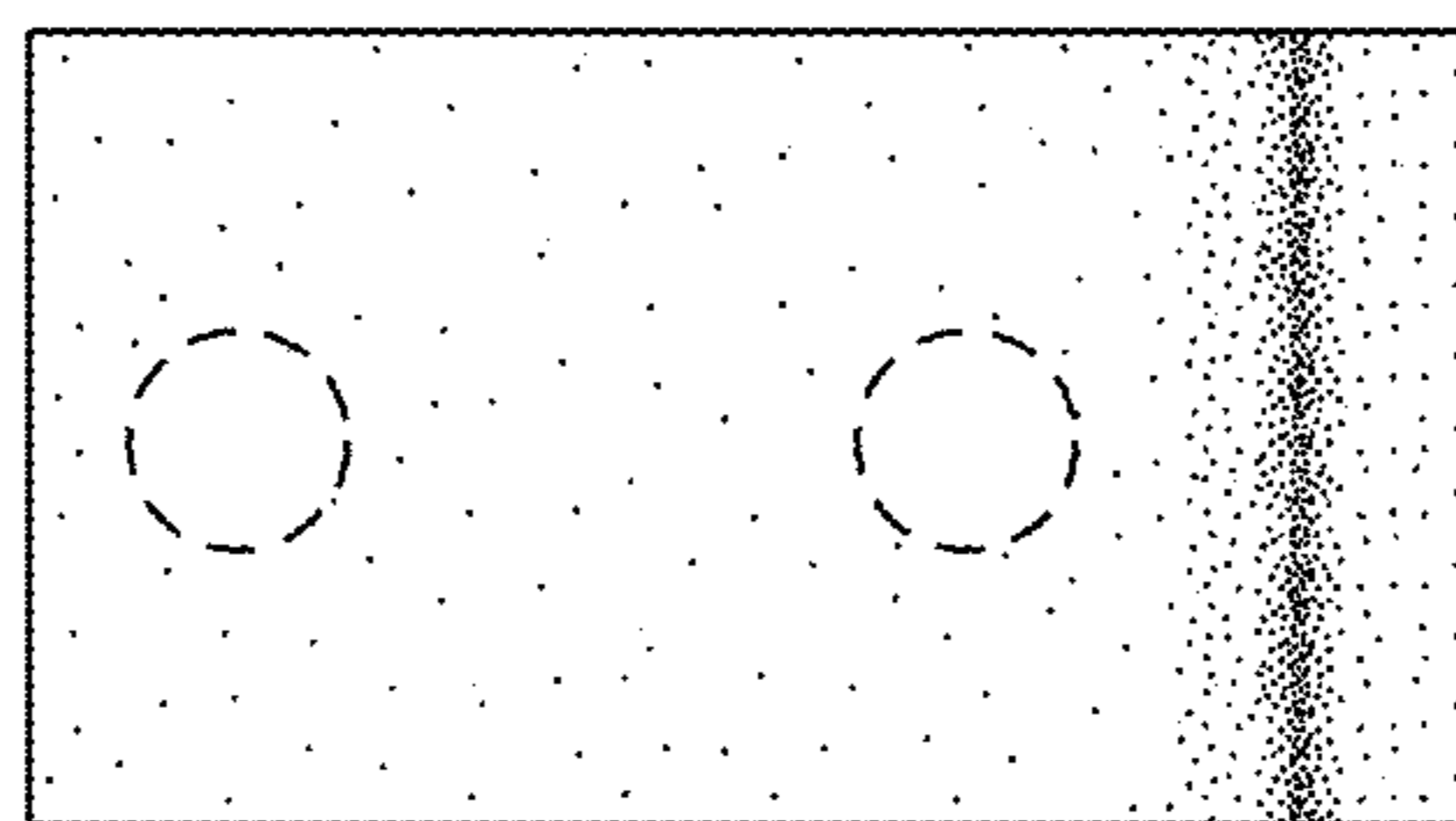


Fig. 8