



US00D733434S

(12) **United States Design Patent**
Miwa

(10) **Patent No.:** **US D733,434 S**
(45) **Date of Patent:** **** Jul. 7, 2015**

(54) **ADHESIVE TAPE ROLL CLEANER**

(71) Applicant: **KABUSHIKI KAISHA NITOMS,**
Tokyo (JP)

(72) Inventor: **Masami Miwa,** Tokyo (JP)

(73) Assignee: **KABUSHIKI KAISHA NITOMS,**
Tokyo (JP)

(**) Term: **14 Years**

(21) Appl. No.: **29/463,468**

(22) Filed: **Dec. 3, 2013**

(30) **Foreign Application Priority Data**

Jun. 3, 2013 (JP) 2013-012344

(51) **LOC (10) Cl.** **08-05**

(52) **U.S. Cl.**
USPC **D4/122**

(58) **Field of Classification Search**
USPC D4/122, 199; D6/317, 566; D8/370,
D8/373, 303, 107; 15/27, 230.11; 211/106,
211/106.01; 248/302; 492/13, 16, 17, 19;
16/422, 430, 431, 902, DIG. 12,
16/DIG. 18, DIG. 19
CPC A47L 25/005; A47L 25/00
See application file for complete search history.

(56) **References Cited**

U.S. PATENT DOCUMENTS

D336,784 S * 6/1993 Yen D4/122
D539,545 S * 4/2007 Crane et al. D4/122
D552,356 S * 10/2007 Newbould et al. D4/122
D627,565 S * 11/2010 Tyce et al. D4/102
D638,222 S * 5/2011 Molinet et al. D4/122
D657,955 S * 4/2012 Morris D4/122
D671,748 S * 12/2012 Guyton et al. D4/122

D681,341 S * 5/2013 Caligaris et al. D4/122
D690,944 S * 10/2013 Lee et al. D4/122
D691,378 S * 10/2013 Taub D4/122
D697,312 S * 1/2014 Yao et al. D4/122
D697,313 S * 1/2014 Yao et al. D4/122
8,904,588 B2 * 12/2014 Taub 15/104.002

* cited by examiner

Primary Examiner — Austin Murphy

(74) *Attorney, Agent, or Firm* — Manabu Kanesaka

(57) **CLAIM**

The ornamental design for an adhesive tape roll cleaner, as shown and described.

DESCRIPTION

FIG. 1: a perspective view of an adhesive tape roll cleaner;
FIG. 2: a front view thereof;
FIG. 3: a top plan view thereof;
FIG. 4: a bottom view thereof;
FIG. 5: a left side view thereof;
FIG. 6: a perspective view showing a cleaner body of the adhesive tape roll cleaner with its cover casing removed;
FIG. 7: a front view of a cleaner body;
FIG. 8: a top plan view thereof;
FIG. 9: a bottom view thereof;
FIG. 10: a left side view thereof;
FIG. 11: a right side view thereof;
FIG. 12: a perspective view showing a cover casing of the adhesive tape roll cleaner;
FIG. 13: a front view of a cover casing;
FIG. 14: a top plan view thereof;
FIG. 15: a bottom view thereof;
FIG. 16: a left side view thereof;
FIG. 17: a front center longitudinal section view of the cover casing; and,
FIG. 18: a reference exploded perspective view with the cleaner body and the cover casing separated.

1 Claim, 9 Drawing Sheets

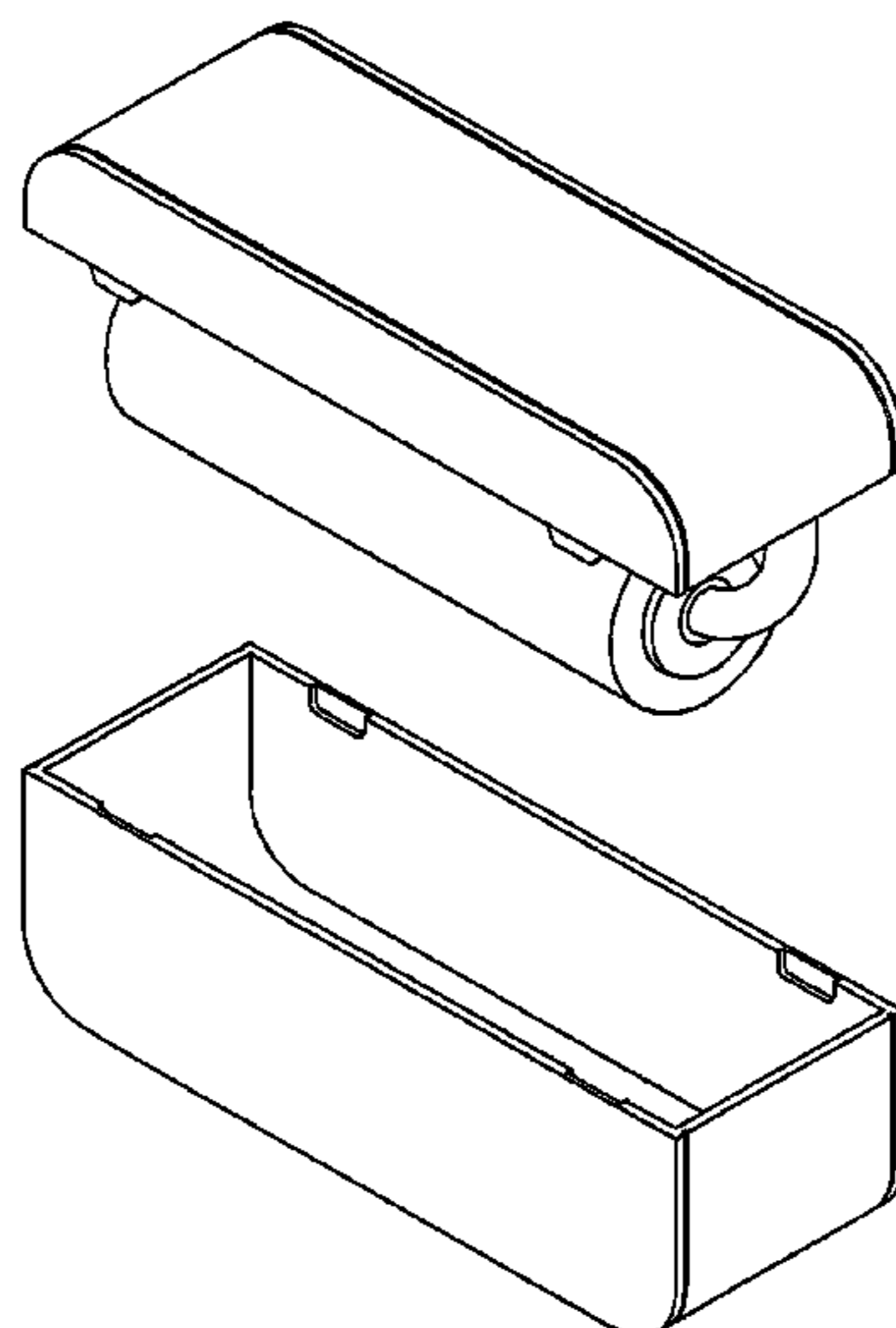


FIG. 1

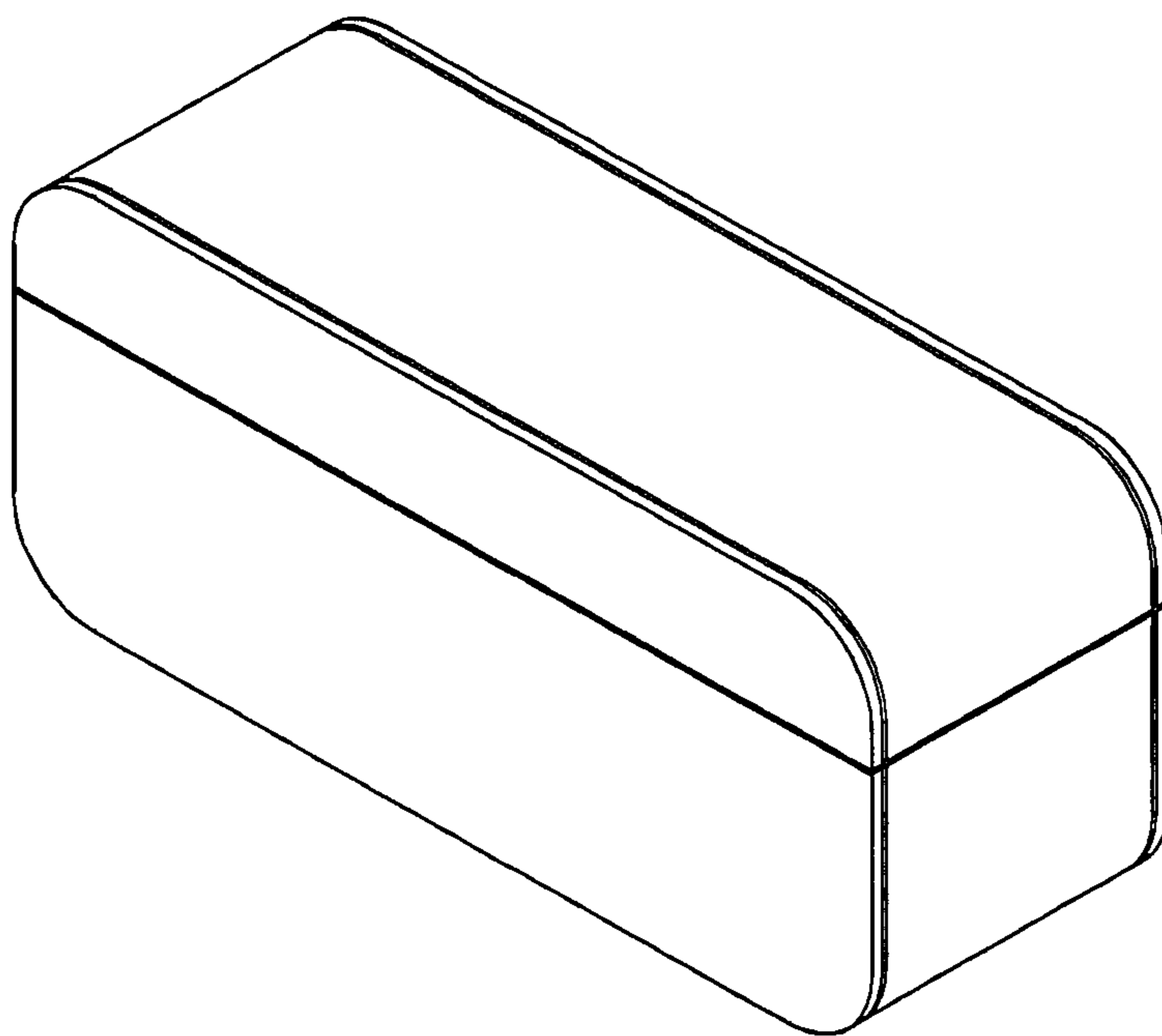


FIG. 2

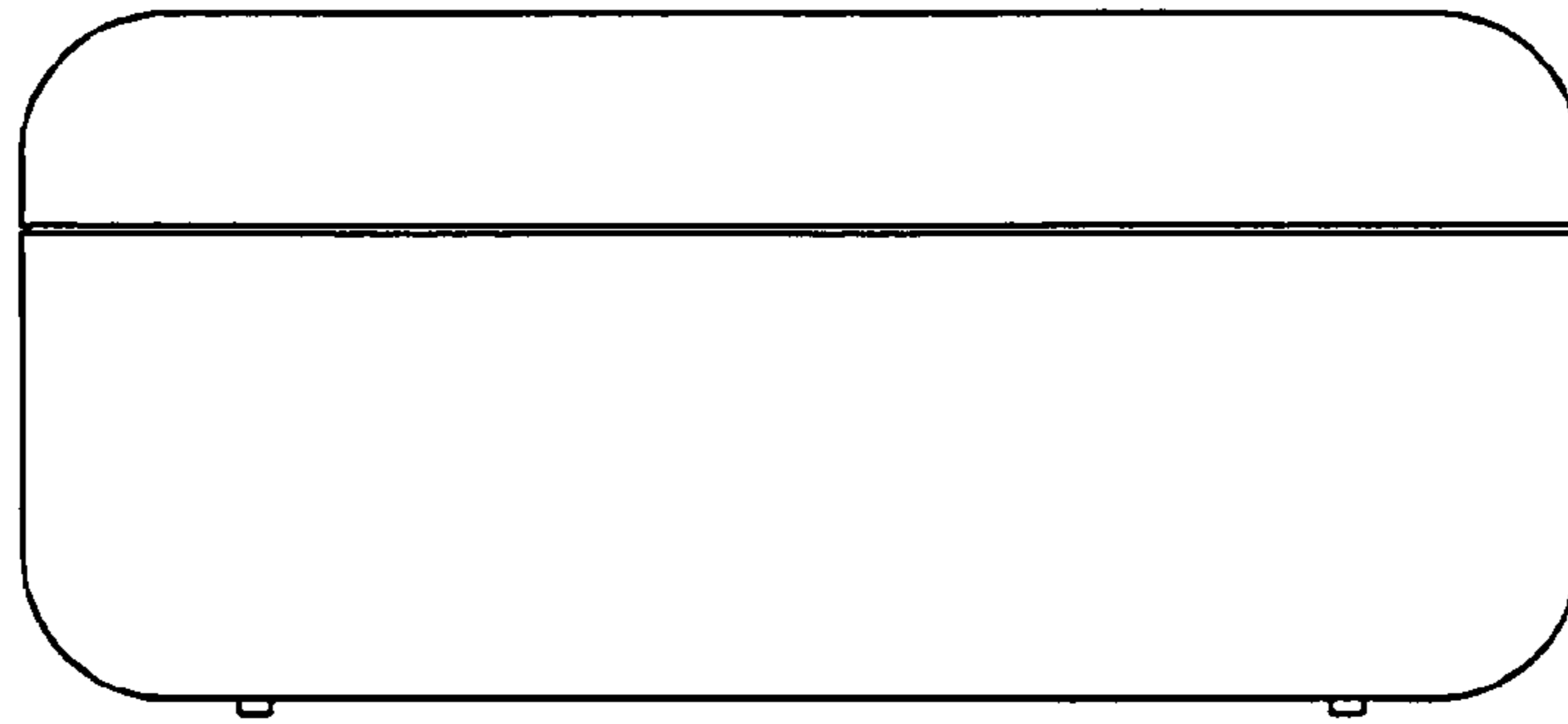


FIG. 3

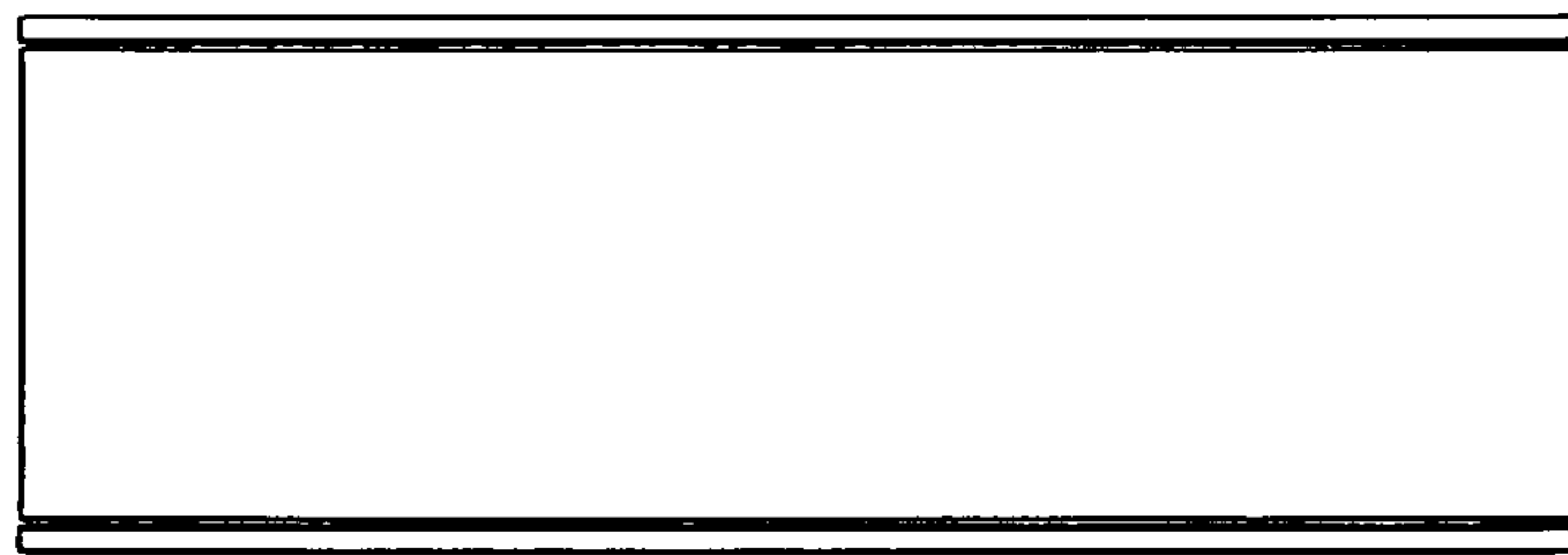


FIG. 4

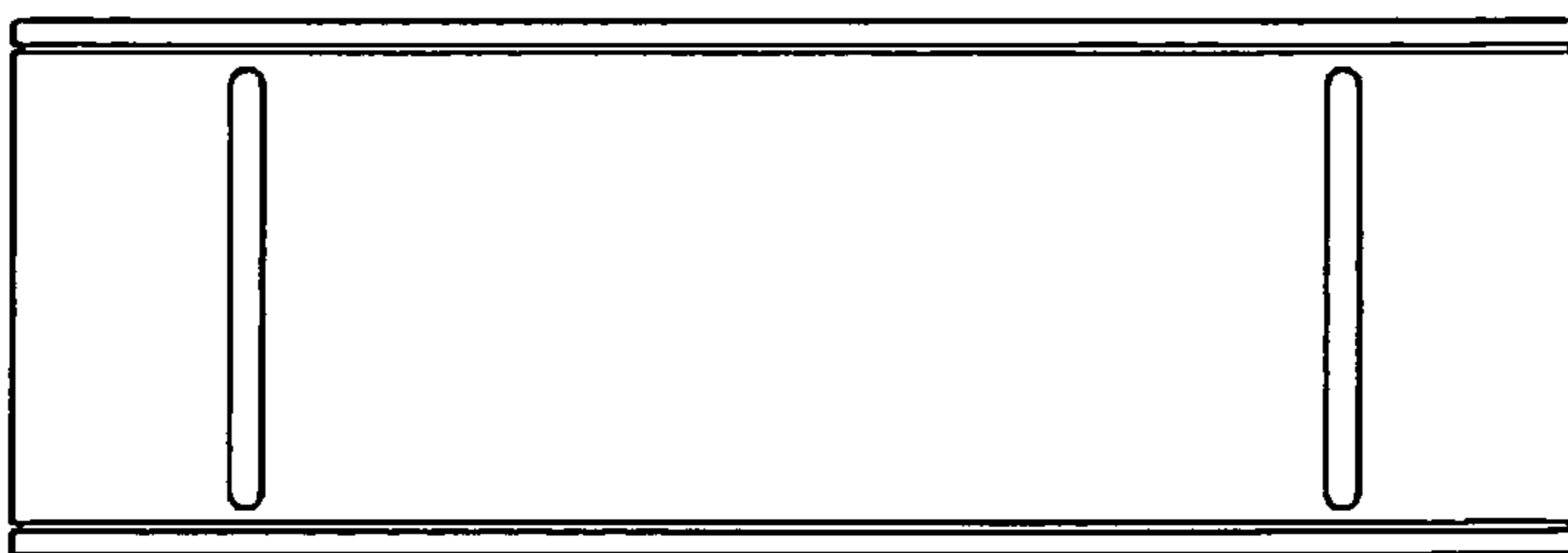


FIG. 5

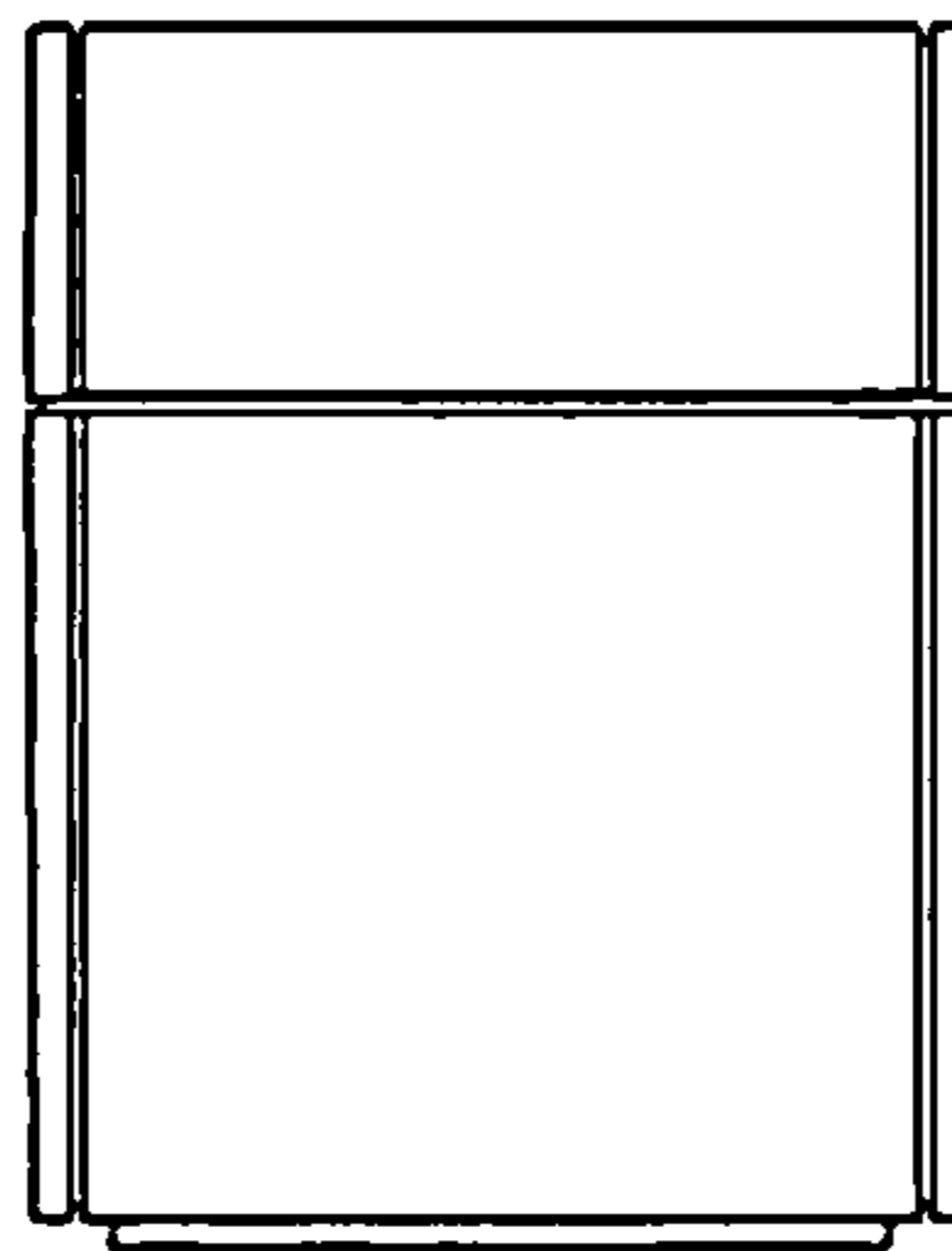


FIG. 6

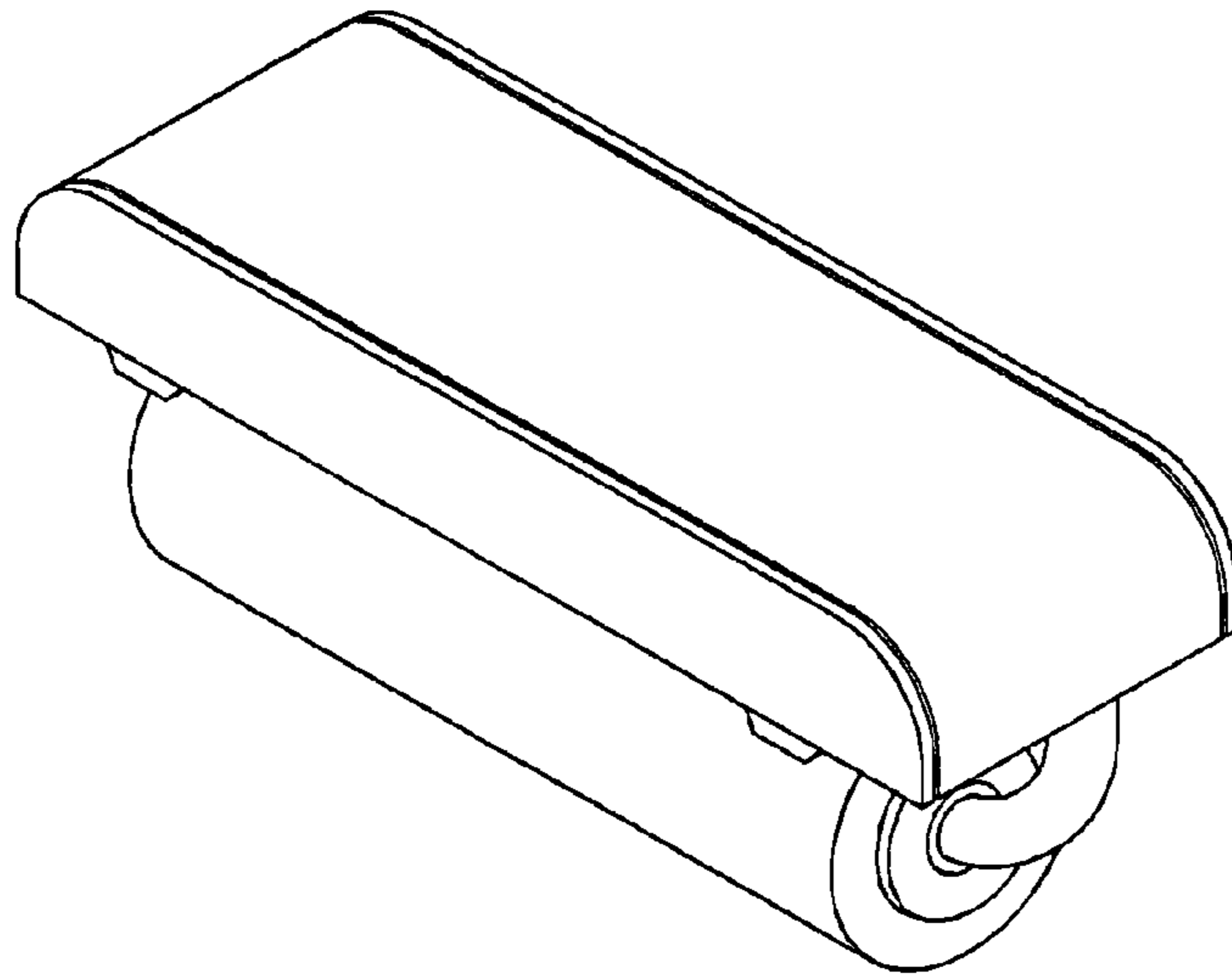


FIG. 7

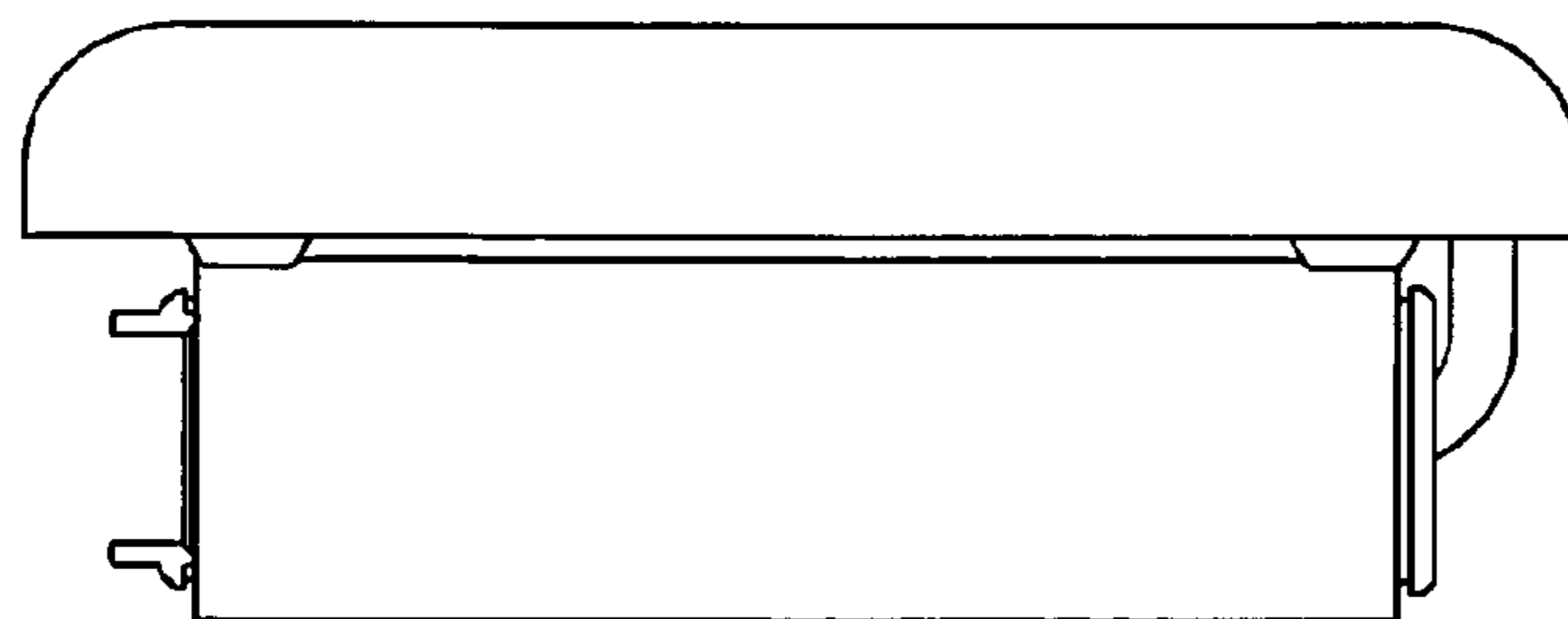


FIG. 8

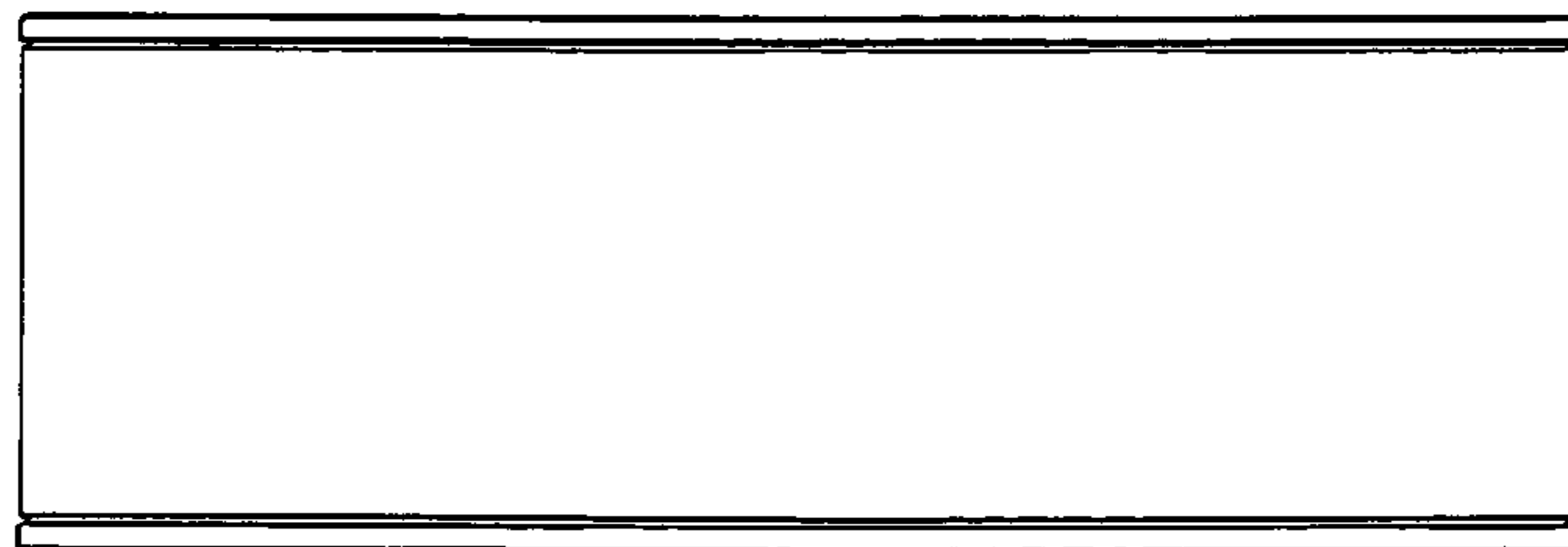


FIG. 9

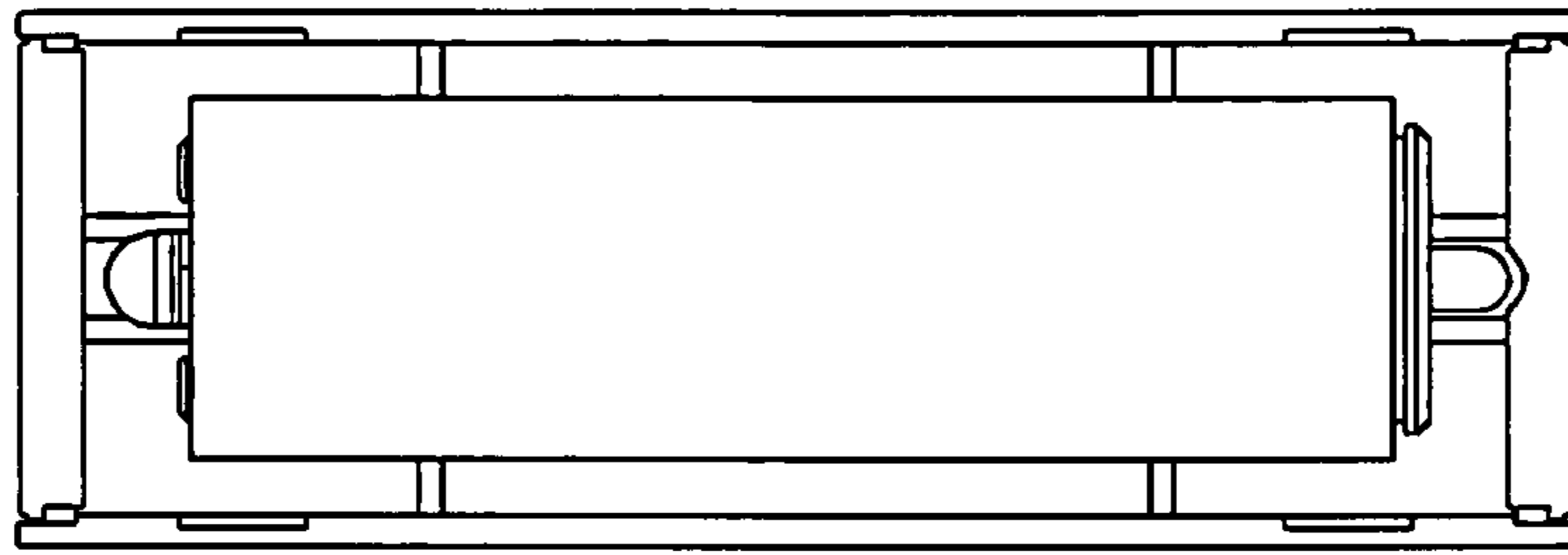


FIG. 10

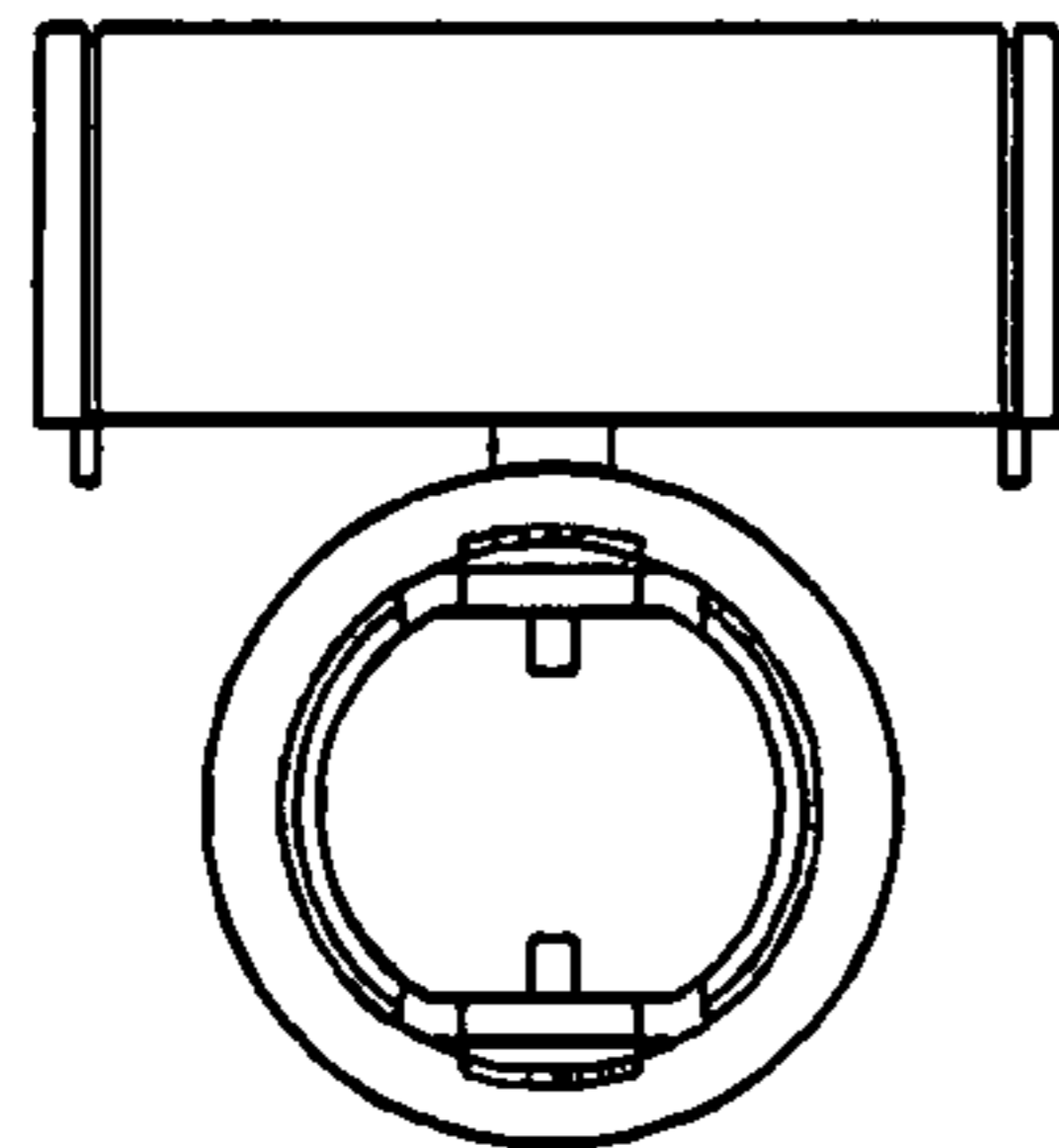


FIG. 11

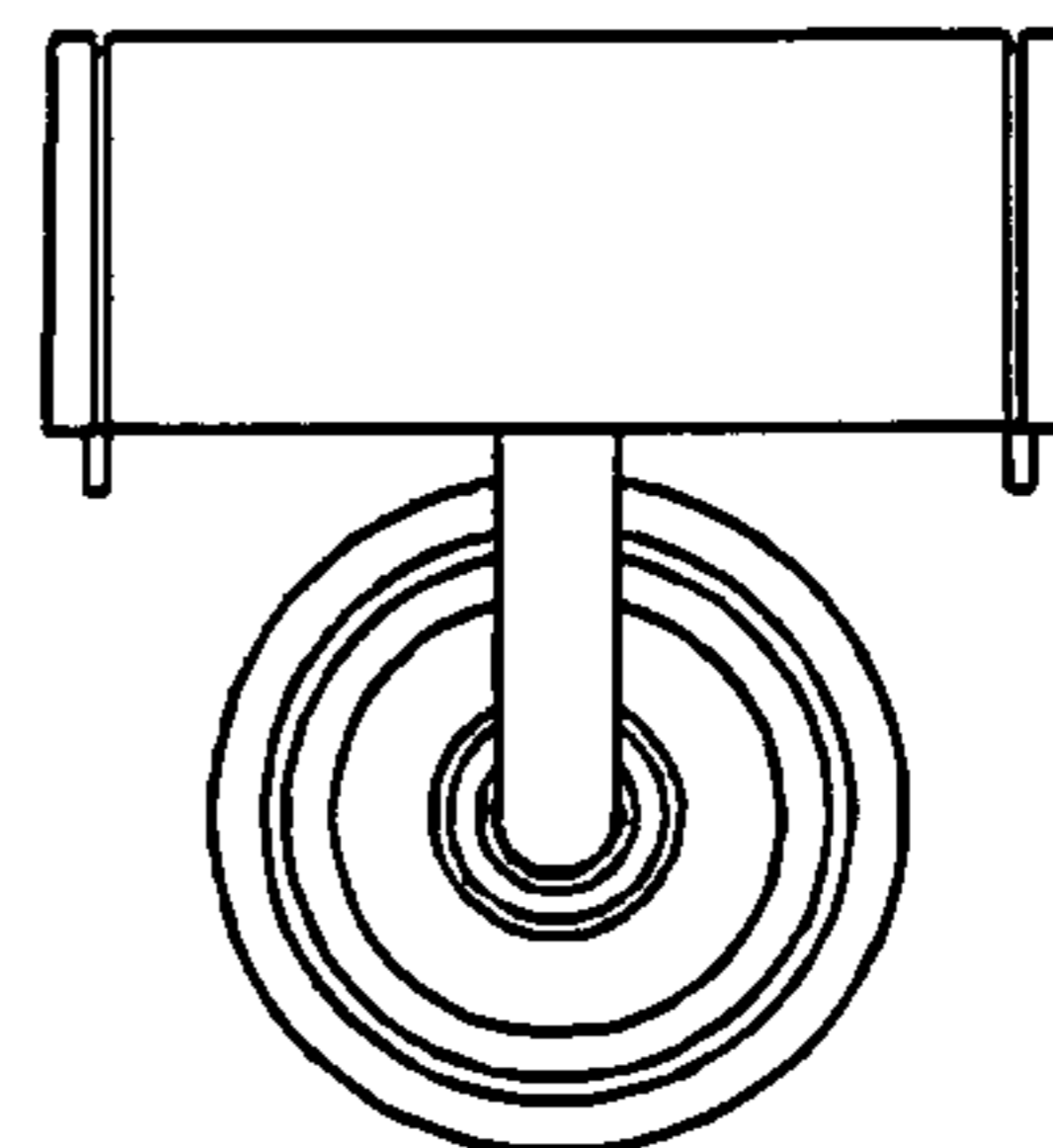


FIG. 12

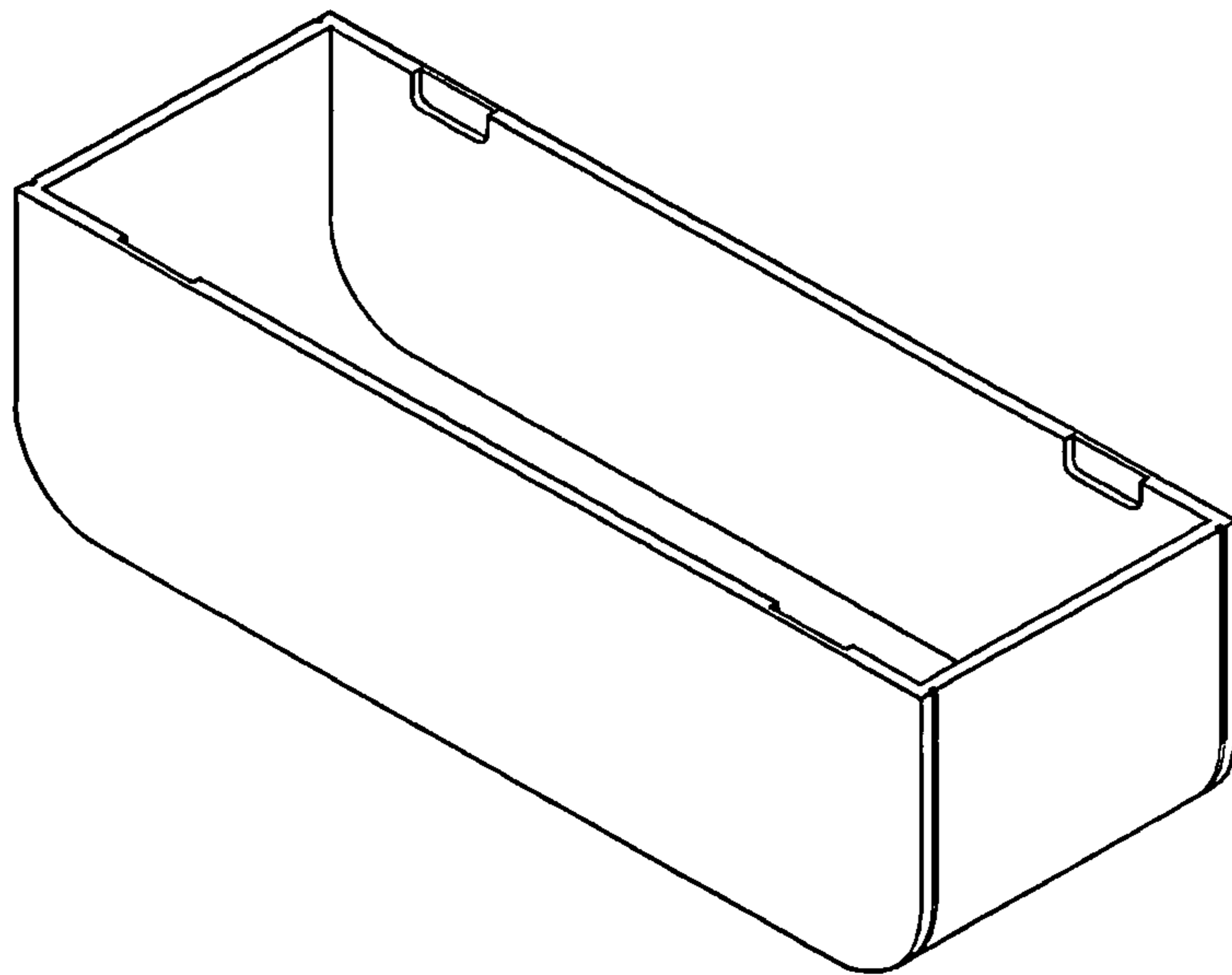


FIG. 13

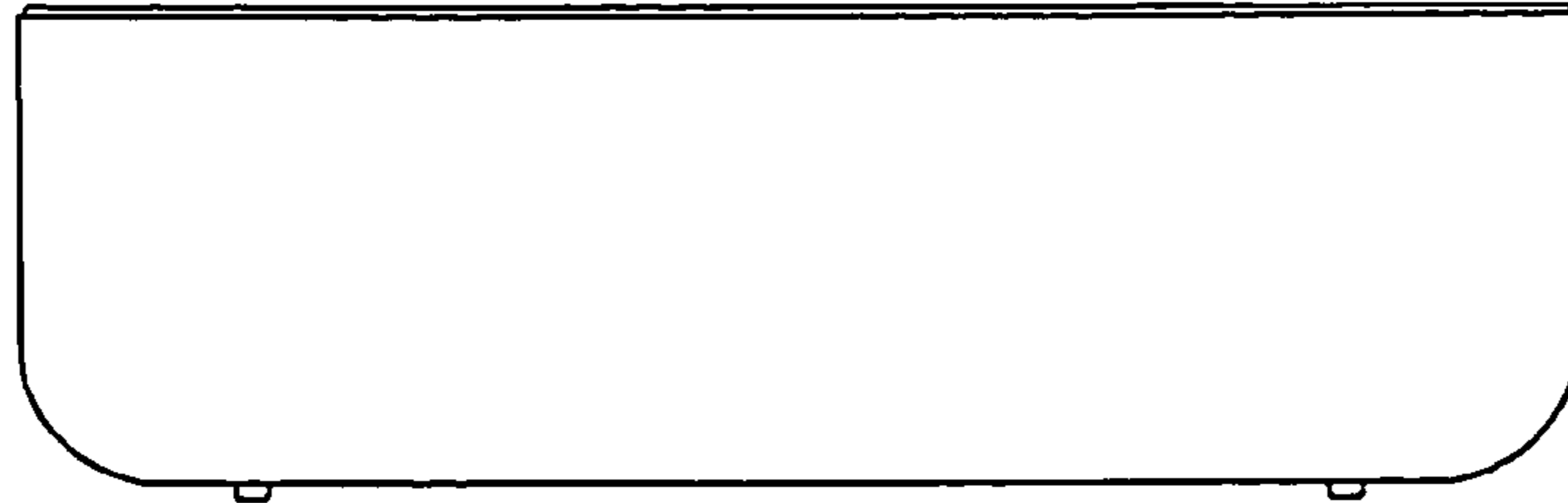


FIG. 14

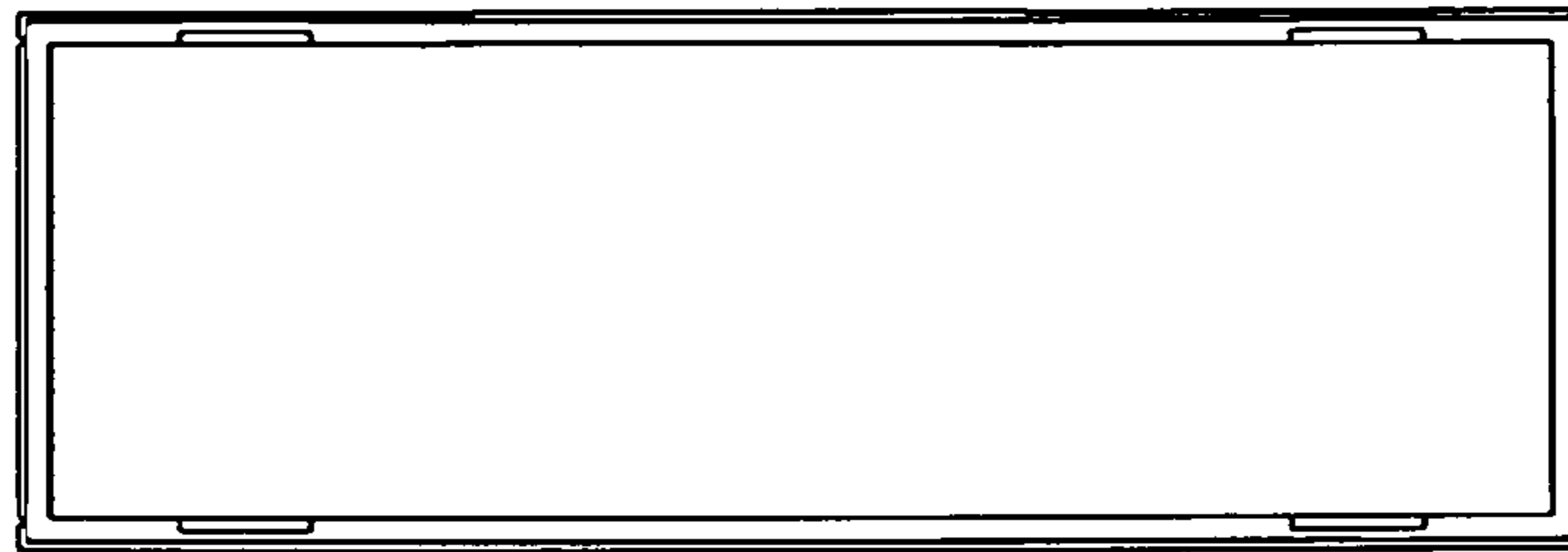


FIG. 15

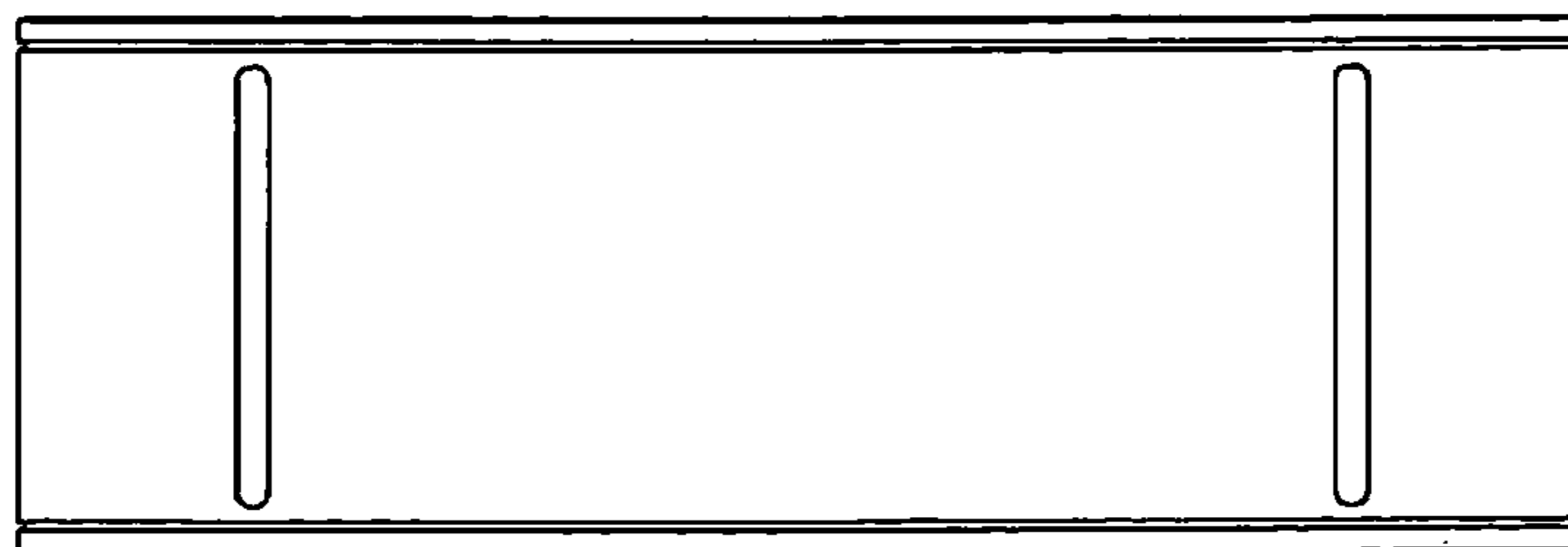


FIG. 16

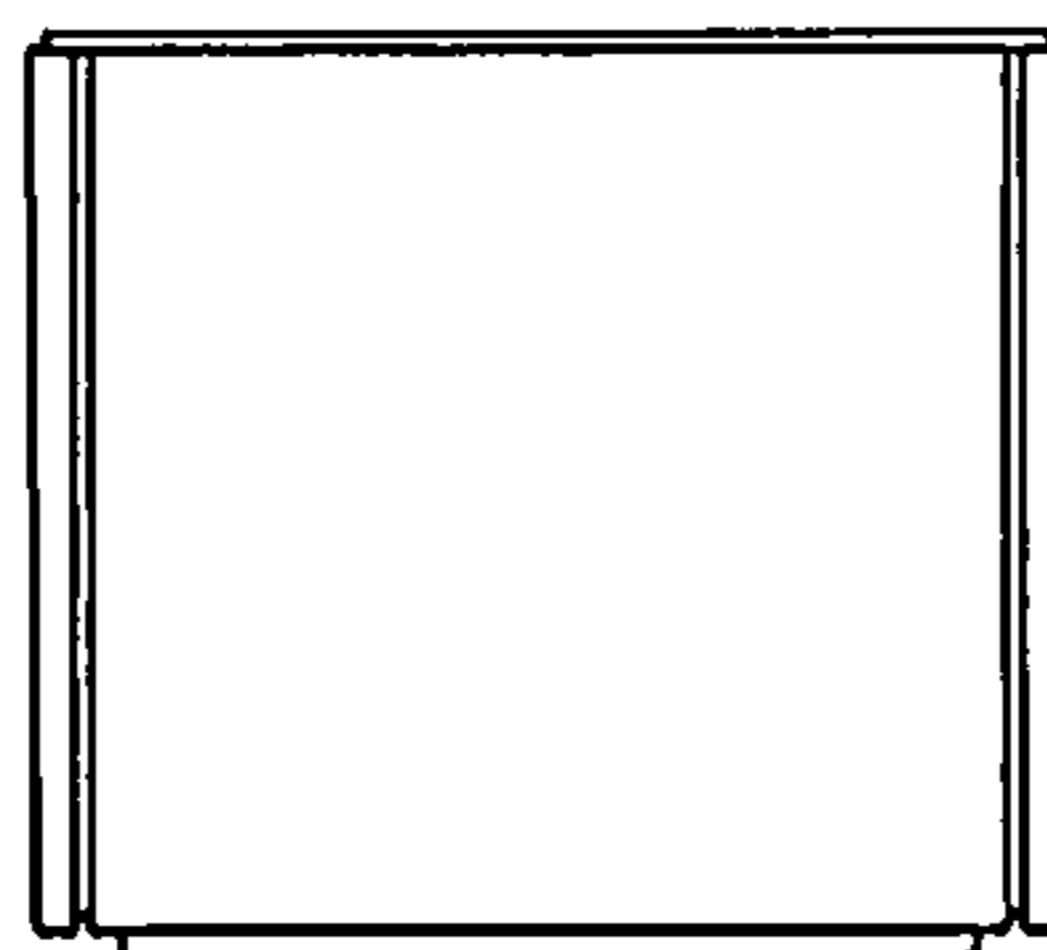


FIG. 17

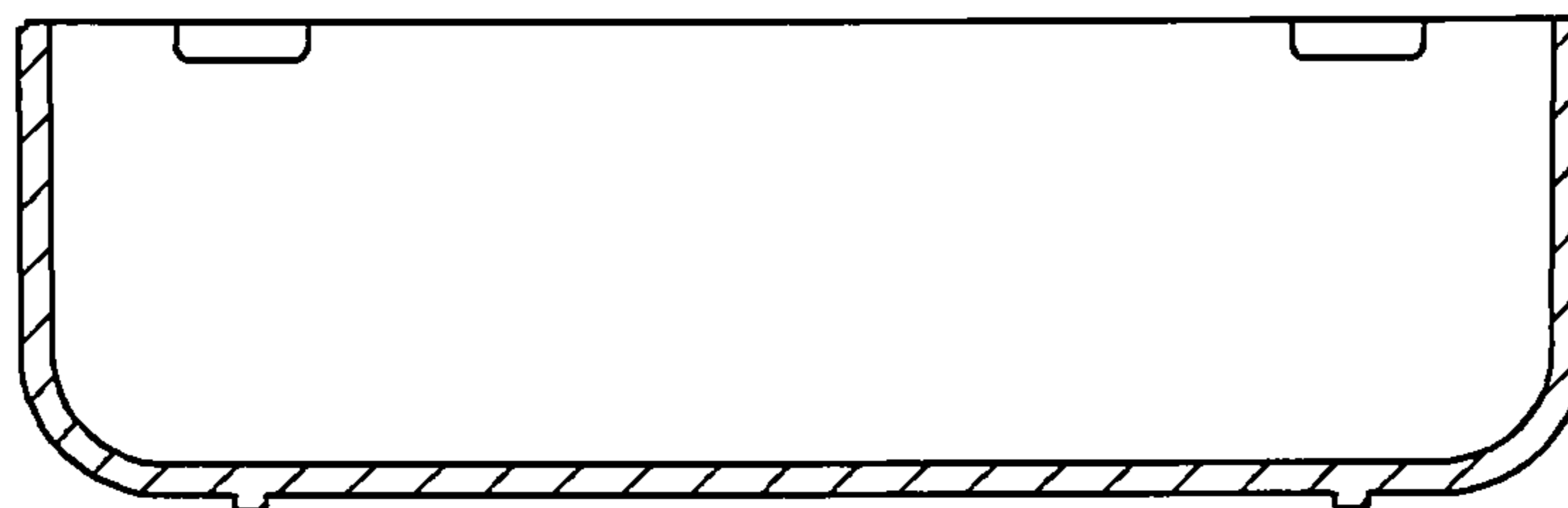


FIG. 18

