

US00D733430S

(12) **United States Design Patent**
Qi

(10) **Patent No.:** **US D733,430 S**

(45) **Date of Patent:** **** Jul. 7, 2015**

(54) **DRILL BIT CASE**

(71) Applicant: **An Qi**, Shanghai (CN)

(72) Inventor: **An Qi**, Shanghai (CN)

(73) Assignee: **Tech-Tool Sourcing Co., Ltd.**, Shanghai (CN)

(*) Notice: This patent is subject to a terminal disclaimer.

(**) Term: **14 Years**

(21) Appl. No.: **29/453,537**

(22) Filed: **Apr. 30, 2013**

Related U.S. Application Data

(62) Division of application No. 29/417,750, filed on Apr. 9, 2012, now Pat. No. Des. 693,123.

(51) **LOC (10) Cl.** **03-01**

(52) **U.S. Cl.**
USPC **D3/295**

(58) **Field of Classification Search**
USPC D3/294, 395, 396, 284, 273, 903, 295;
206/6.1, 144, 370, 570, 472; 312/120,
312/123

See application file for complete search history.

(56) **References Cited**

U.S. PATENT DOCUMENTS

4,955,478 A * 9/1990 Rau et al. 206/379
5,746,316 A * 5/1998 La Barre 206/379
6,283,291 B1 * 9/2001 Vasudeva et al. 206/373
D515,811 S * 2/2006 Liu D3/295

D529,289 S * 10/2006 Roesler D3/294
D599,549 S * 9/2009 Moss et al. D3/282
D600,014 S * 9/2009 Moss et al. D3/282
D604,511 S * 11/2009 Lai D3/295
D613,944 S * 4/2010 Molina D3/294
D640,058 S * 6/2011 Molina D3/294
D645,338 S * 9/2011 Kapur et al. D9/415
D645,663 S * 9/2011 Henley et al. D3/294
D668,873 S * 10/2012 Robinson et al. D3/293
D693,123 S * 11/2013 Qi D3/295
D698,549 S * 2/2014 Qi D3/295

* cited by examiner

Primary Examiner — Sheryl Lane

(74) *Attorney, Agent, or Firm* — Trego, Hines & Ladenheim, PLLC

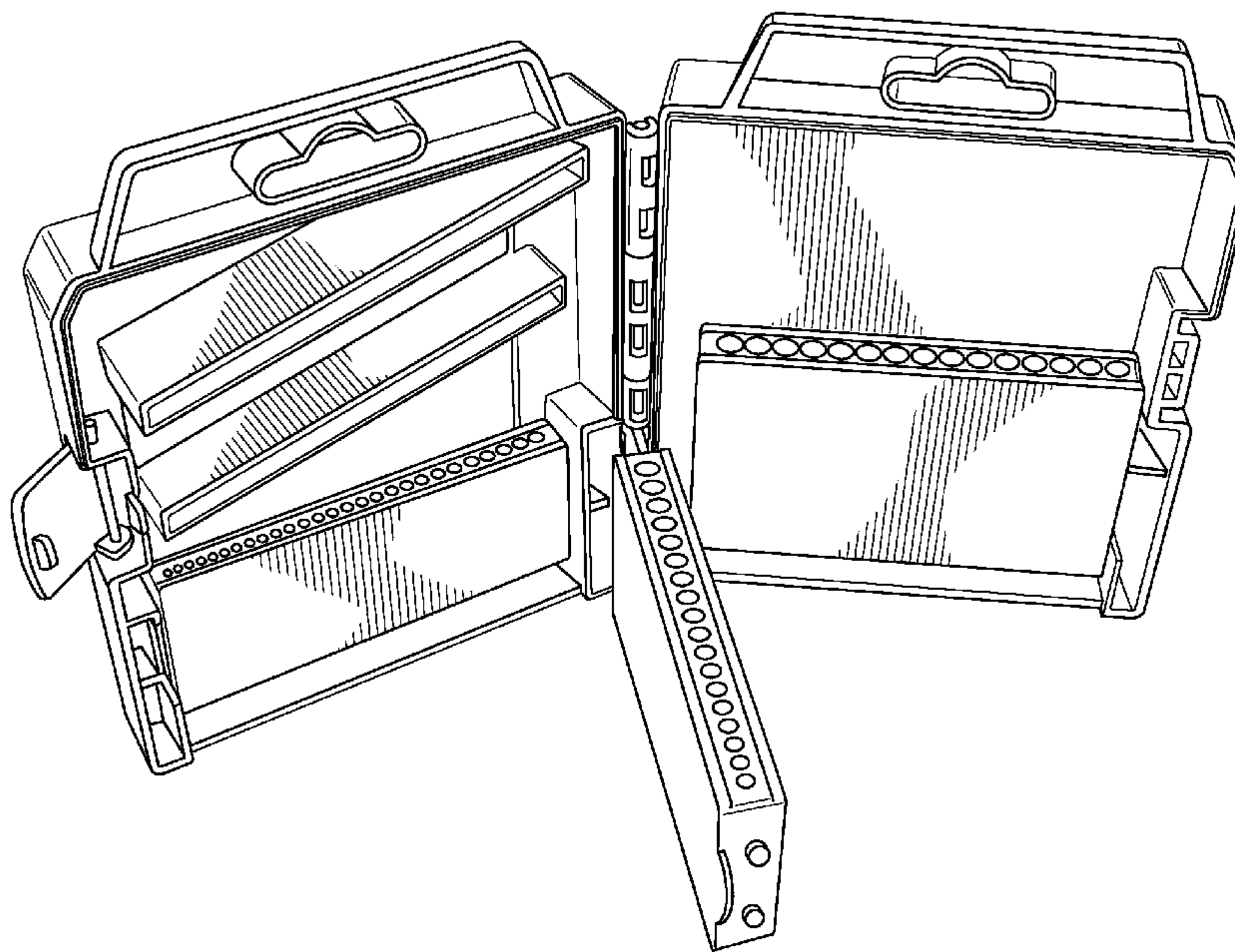
(57) **CLAIM**

I claim the ornamental design for a drill bit case, as shown and described.

DESCRIPTION

FIG. 1 is a perspective view of a drill bit case in an open position, showing my design;
FIG. 2 is a front view of the drill bit case of FIG. 1 in the open position;
FIG. 3 is a rear view of the drill bit case of FIG. 1 in the open position;
FIG. 4 is a right elevation of the drill bit case of FIG. 1 in the open position;
FIG. 5 is a left elevation of the drill bit case of FIG. 1 in the open position;
FIG. 6 is a top view of the drill bit case of FIG. 1 in the open position; and,
FIG. 7 is a bottom view of the drill bit case of FIG. 1 in the open position.

1 Claim, 5 Drawing Sheets



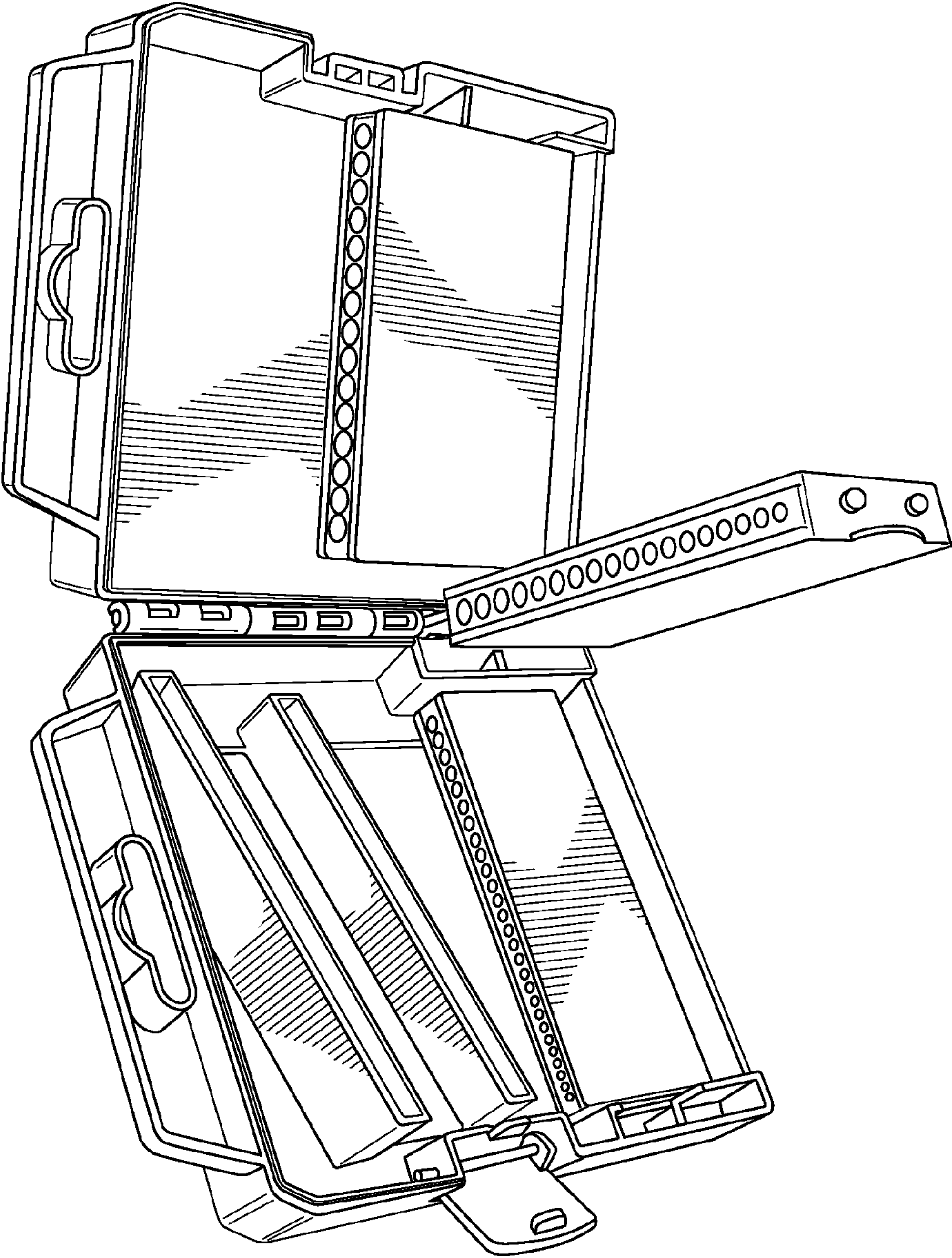


FIG. 1

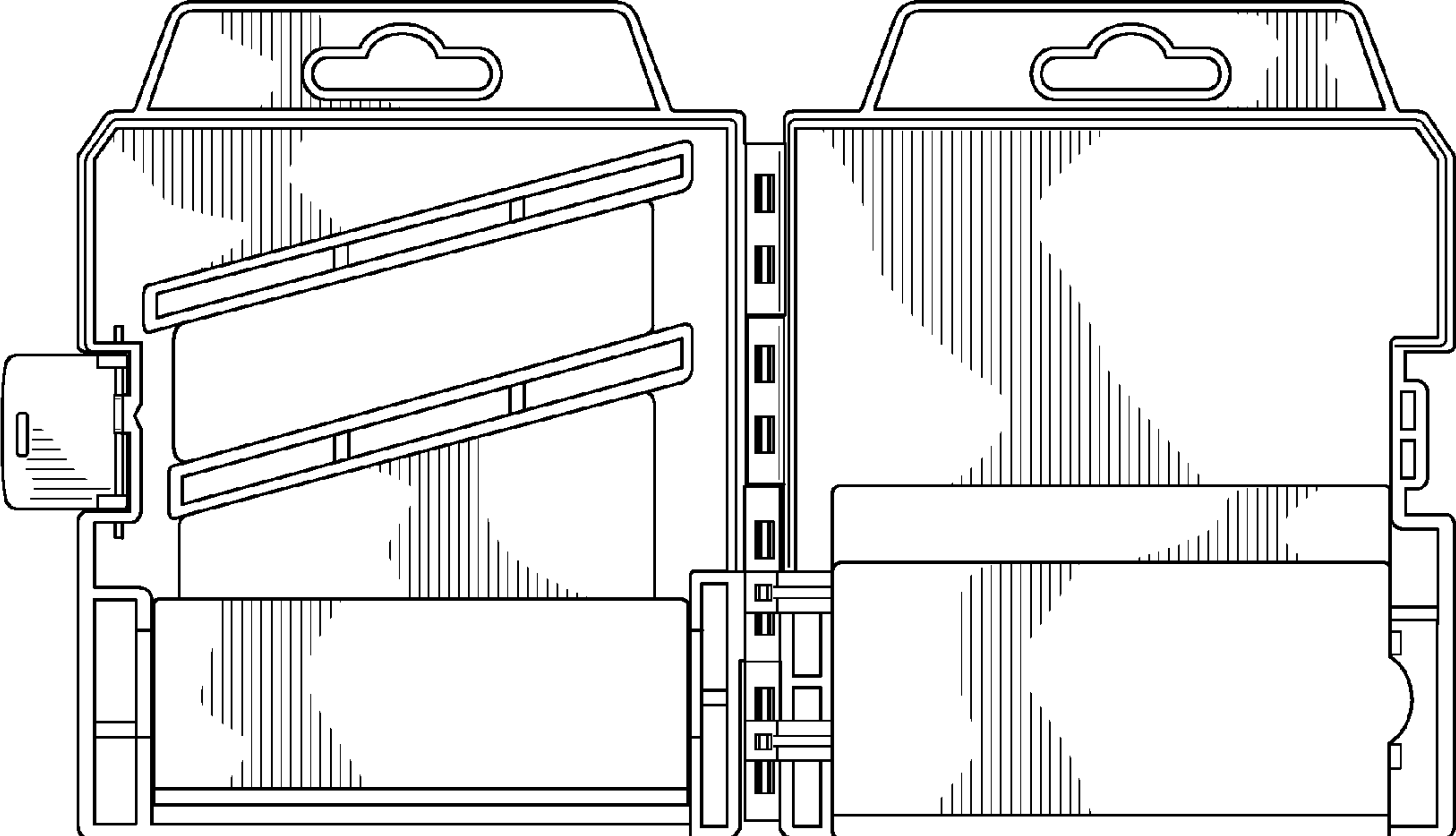


FIG. 2

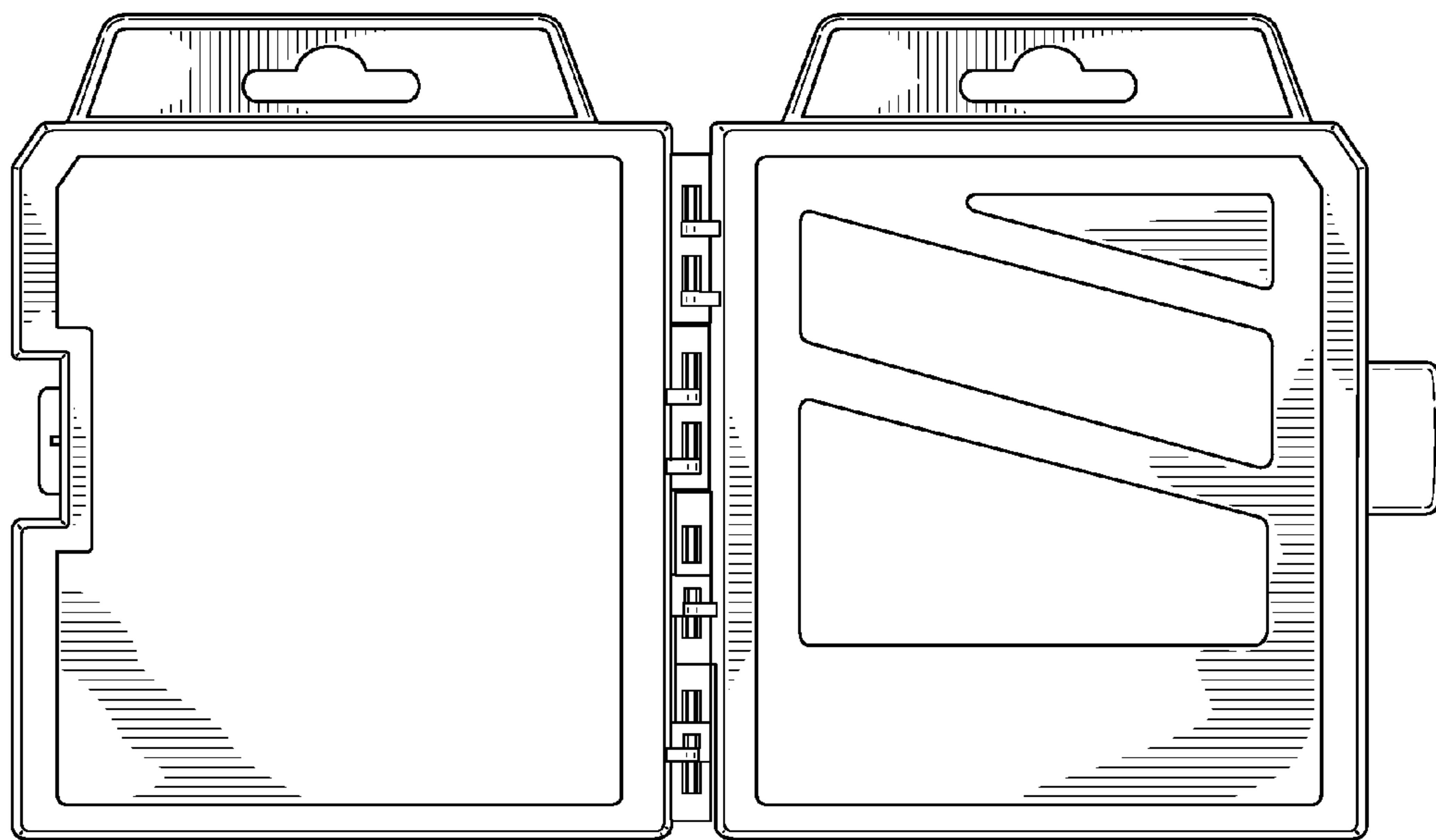


FIG. 3

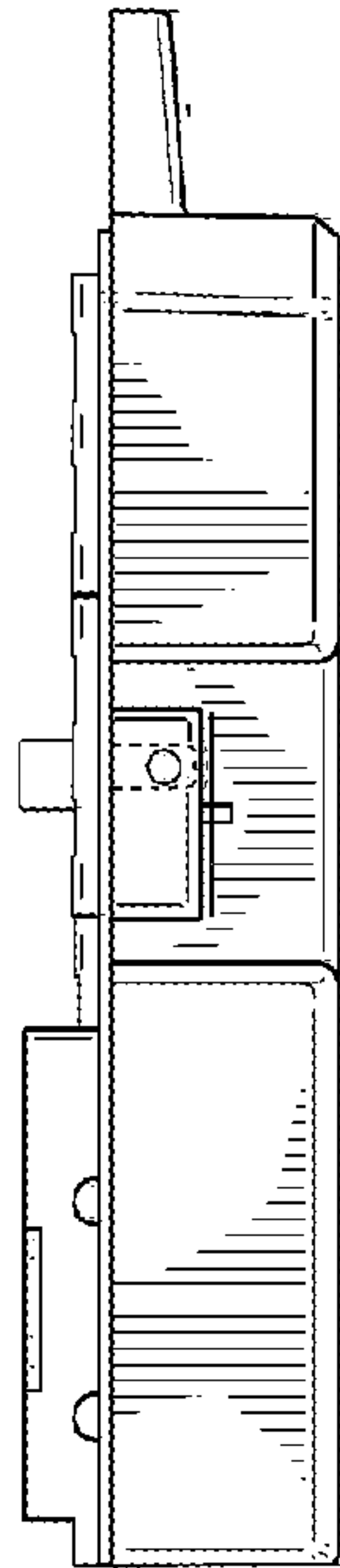


FIG. 4

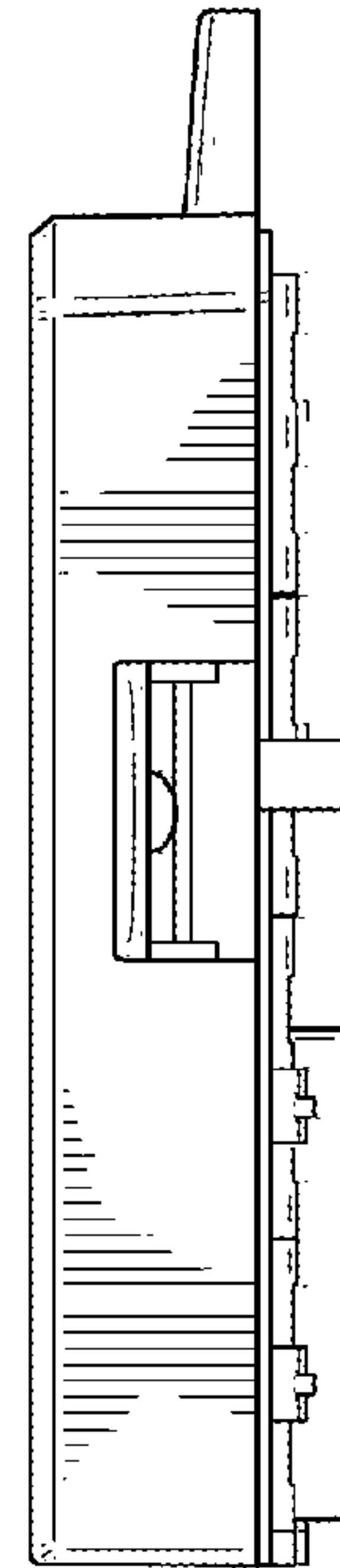


FIG. 5

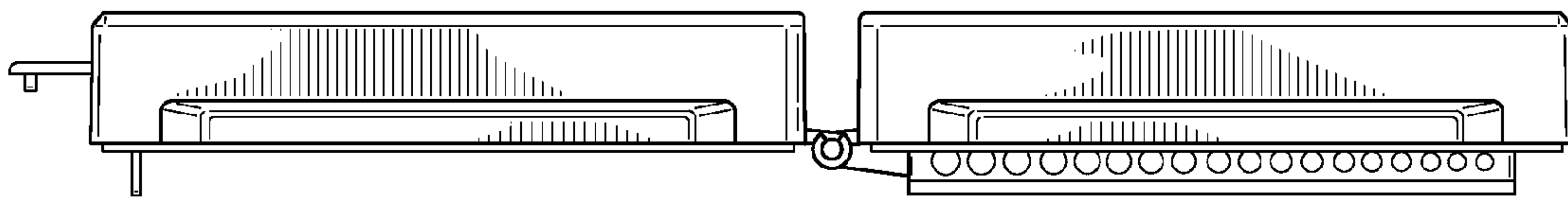


FIG. 6

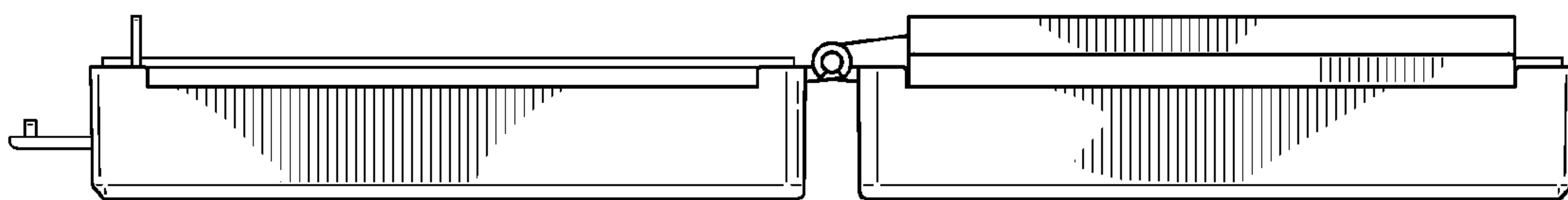


FIG. 7