



US00D733429S

(12) **United States Design Patent**  
**Grenier et al.**

(10) **Patent No.:** **US D733,429 S**  
(45) **Date of Patent:** **\*\* Jul. 7, 2015**

(54) **CASE**

(71) Applicants: **Jean-Pierre Grenier**, Blainville (CA);  
**Benjamin Coley**, Repentigny (CA);  
**Jean-Francois Jacques**, Montreal (CA);  
**Alexandre Tardif**, Granby (CA)

(72) Inventors: **Jean-Pierre Grenier**, Blainville (CA);  
**Benjamin Coley**, Repentigny (CA);  
**Jean-Francois Jacques**, Montreal (CA);  
**Alexandre Tardif**, Granby (CA)

(\*\*) Term: **14 Years**

(21) Appl. No.: **29/469,187**

(22) Filed: **Oct. 8, 2013**

(51) **LOC (10) Cl.** ..... **03-01**

(52) **U.S. Cl.**  
USPC ..... **D3/294; D3/905**

(58) **Field of Classification Search**  
USPC ..... D3/276, 279, 281, 282, 283, 284, 291,  
D3/294, 295, 297, 298, 901, 905, 288, 292,  
D3/273, 302; 206/372-379; 220/523-528;  
D19/106, 83  
CPC . B25H 3/02-3/028; B25H 3/00; B25H 3/003;  
B25H 3/006  
See application file for complete search history.

D467,426 S 12/2002 Hardigg et al.  
D471,711 S 3/2003 Addison  
D472,384 S 4/2003 Richardson  
6,953,126 B2 10/2005 Parket et al.  
D513,451 S 1/2006 Richardson et al.  
D514,808 S 2/2006 Morine et al.  
D516,309 S 3/2006 Richardson et al.  
D516,807 S 3/2006 Richardson et al.  
D516,811 S \* 3/2006 Kahle et al. .... D3/282  
D520,237 S 5/2006 Cheng  
D523,242 S 6/2006 Hardigg et al.  
D555,902 S \* 11/2007 Pendergraph et al. .... D3/273  
D579,202 S \* 10/2008 Grenier et al. .... D3/294  
D599,112 S \* 9/2009 Wenchel et al. .... D3/294  
D606,308 S \* 12/2009 Cheng-Wei ..... D3/294  
7,641,048 B1 \* 1/2010 Shih ..... 206/372  
8,348,057 B1 \* 1/2013 Lee ..... 206/378  
D694,521 S \* 12/2013 Robinson et al. .... D3/273  
D712,137 S \* 9/2014 Hsu ..... D3/228  
2002/0043534 A1 4/2002 Uke  
2005/0205372 A1 \* 9/2005 Chen ..... 190/37  
2006/0011624 A1 \* 1/2006 Shih ..... 220/4.24  
2006/0201958 A1 \* 9/2006 Tieben et al. .... 220/835  
2006/0278485 A1 12/2006 Tonelli  
2013/0135846 A1 \* 5/2013 Werner et al. .... 362/109

\* cited by examiner

*Primary Examiner* — Jennifer Rivard  
*Assistant Examiner* — April Rivas  
(74) *Attorney, Agent, or Firm* — GrayRobinson, PA

(57) **CLAIM**  
The ornamental design for a case, as shown and described.

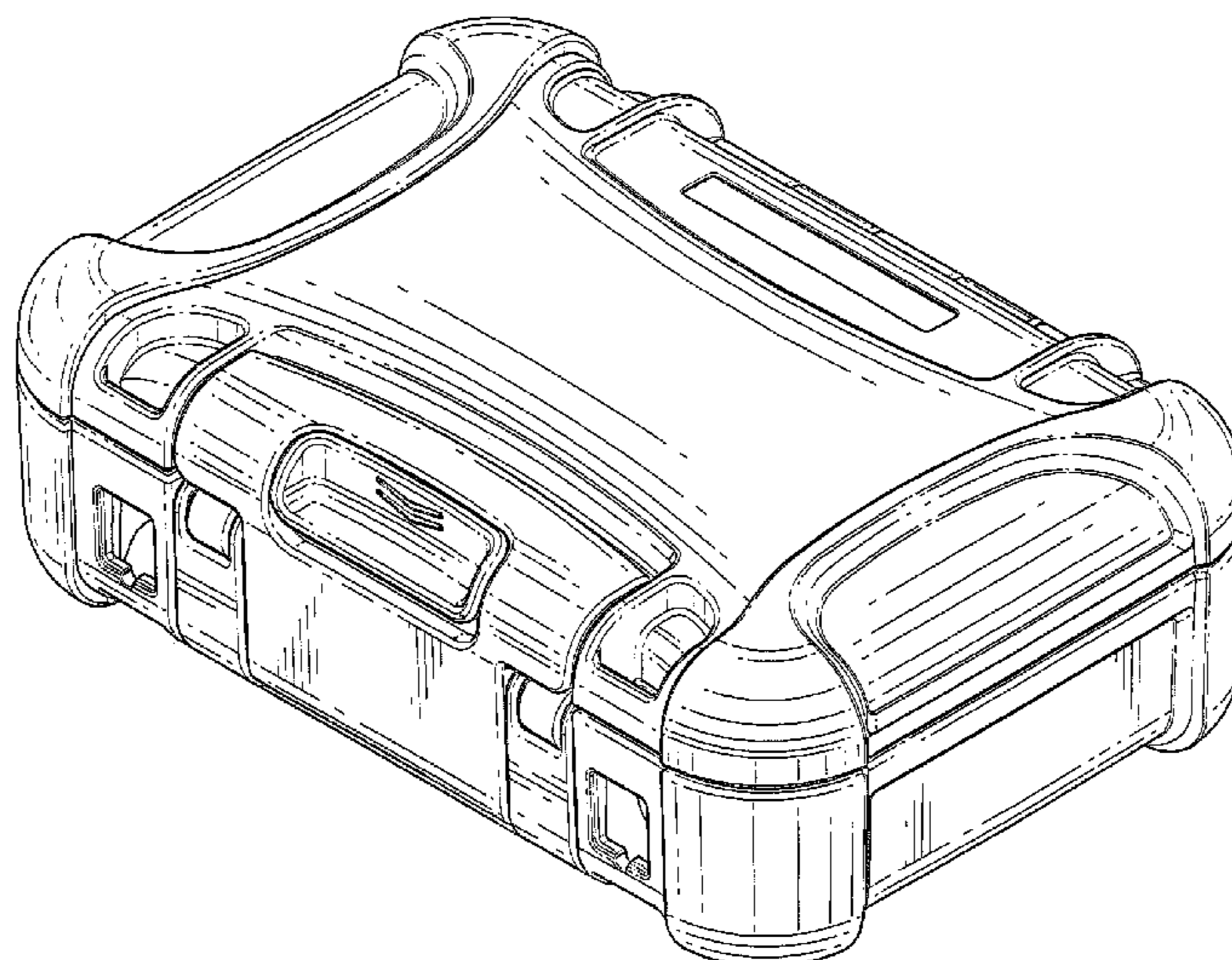
**DESCRIPTION**

FIG. 1 is a front perspective view of our ornamental design of a case;  
FIG. 2 is a front view thereof;  
FIG. 3 is a rear view thereof;  
FIG. 4 is a right side view thereof;  
FIG. 5 is a left side view thereof;  
FIG. 6 is a top plan view thereof; and,  
FIG. 7 is a bottom plan view thereof.

**1 Claim, 4 Drawing Sheets**

(56) **References Cited**  
U.S. PATENT DOCUMENTS

D353,048 S 12/1994 VanSkiver et al.  
D360,757 S \* 8/1995 Snetting et al. .... D3/282  
D367,211 S \* 2/1996 Cautereels ..... D7/629  
D419,768 S 2/2000 Richardson et al.  
6,098,608 A 8/2000 Oshlick  
D439,407 S 3/2001 Parker  
D441,954 S 5/2001 Parker  
D458,127 S \* 6/2002 de Groote ..... D9/423  
D462,519 S 9/2002 Gaydos et al.  
D464,196 S \* 10/2002 Parker ..... D3/273  
D467,425 S 12/2002 Hardigg et al.



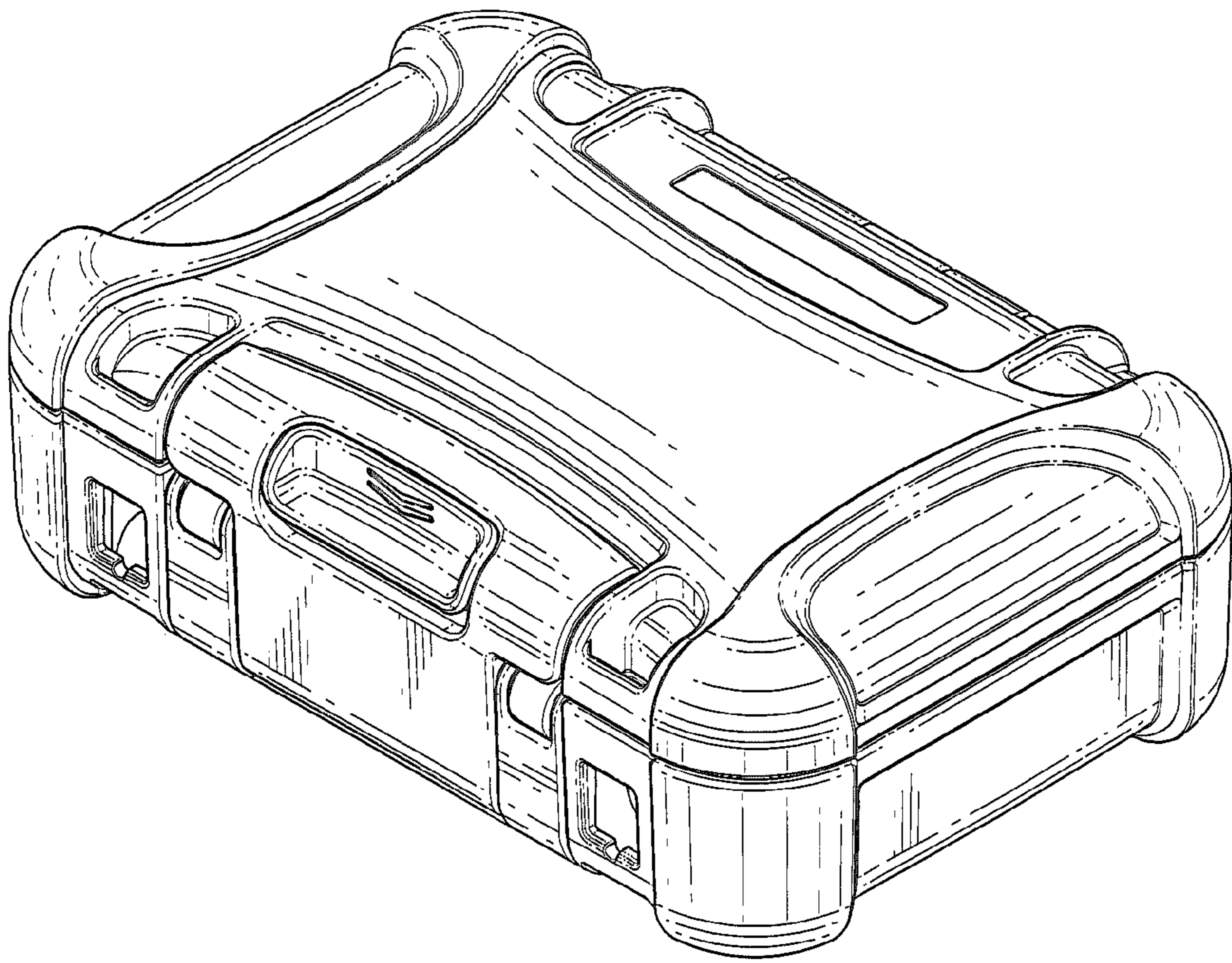


FIG. 1

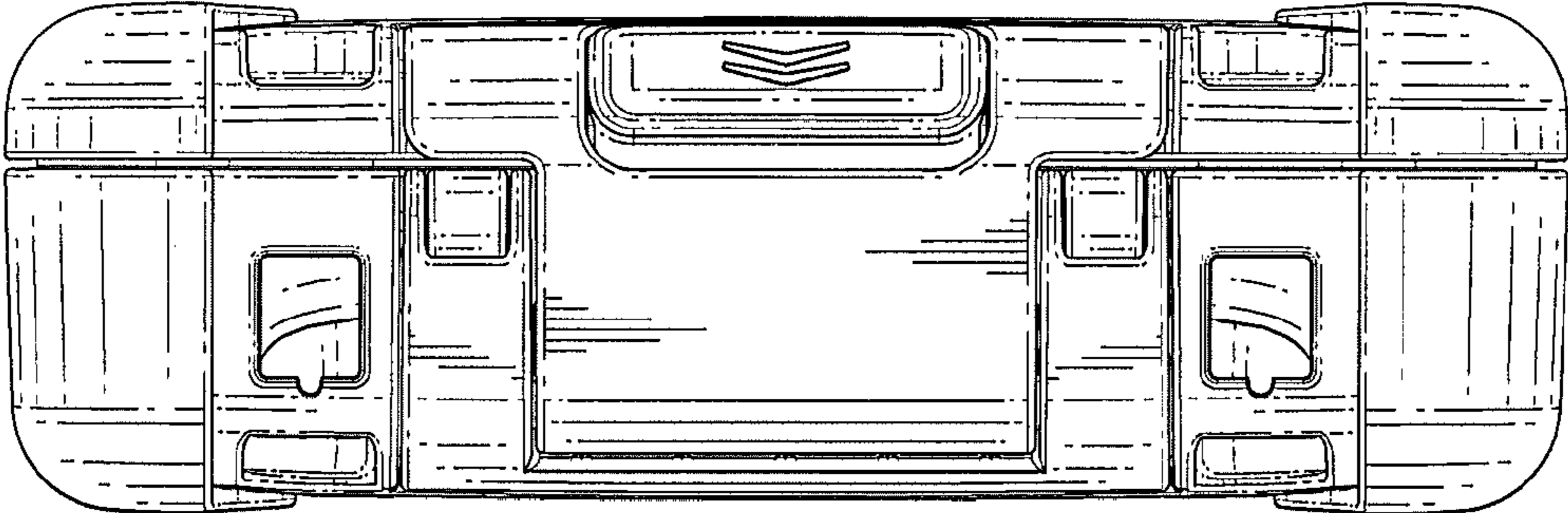


FIG. 2

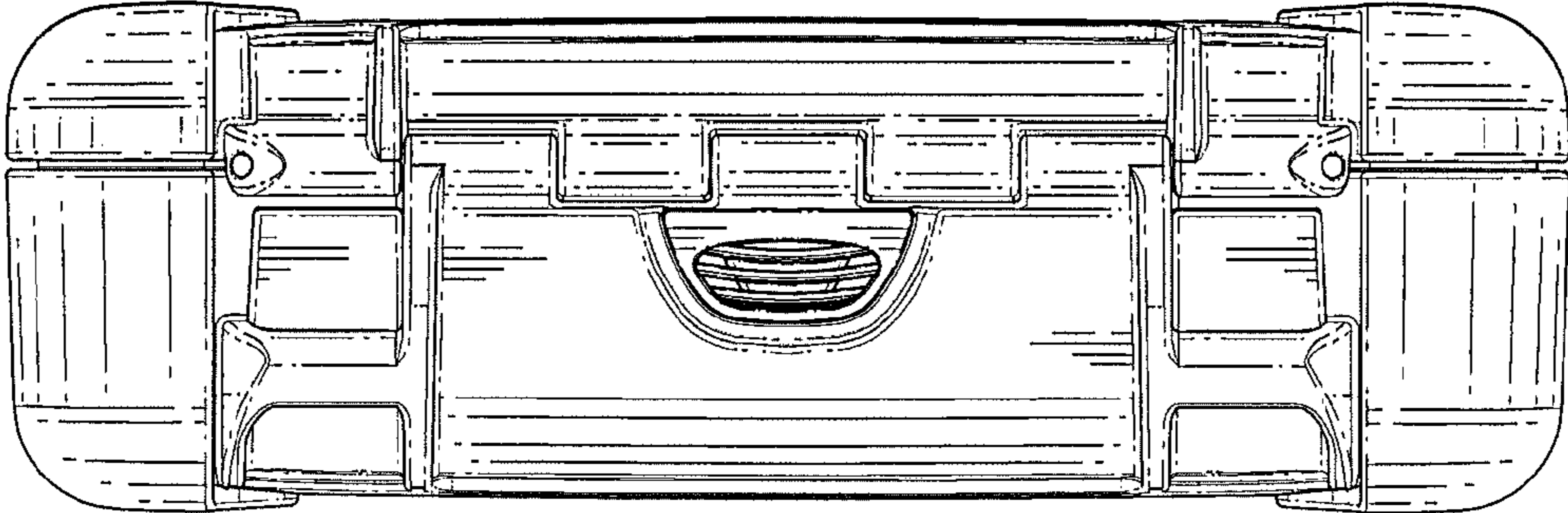


FIG. 3

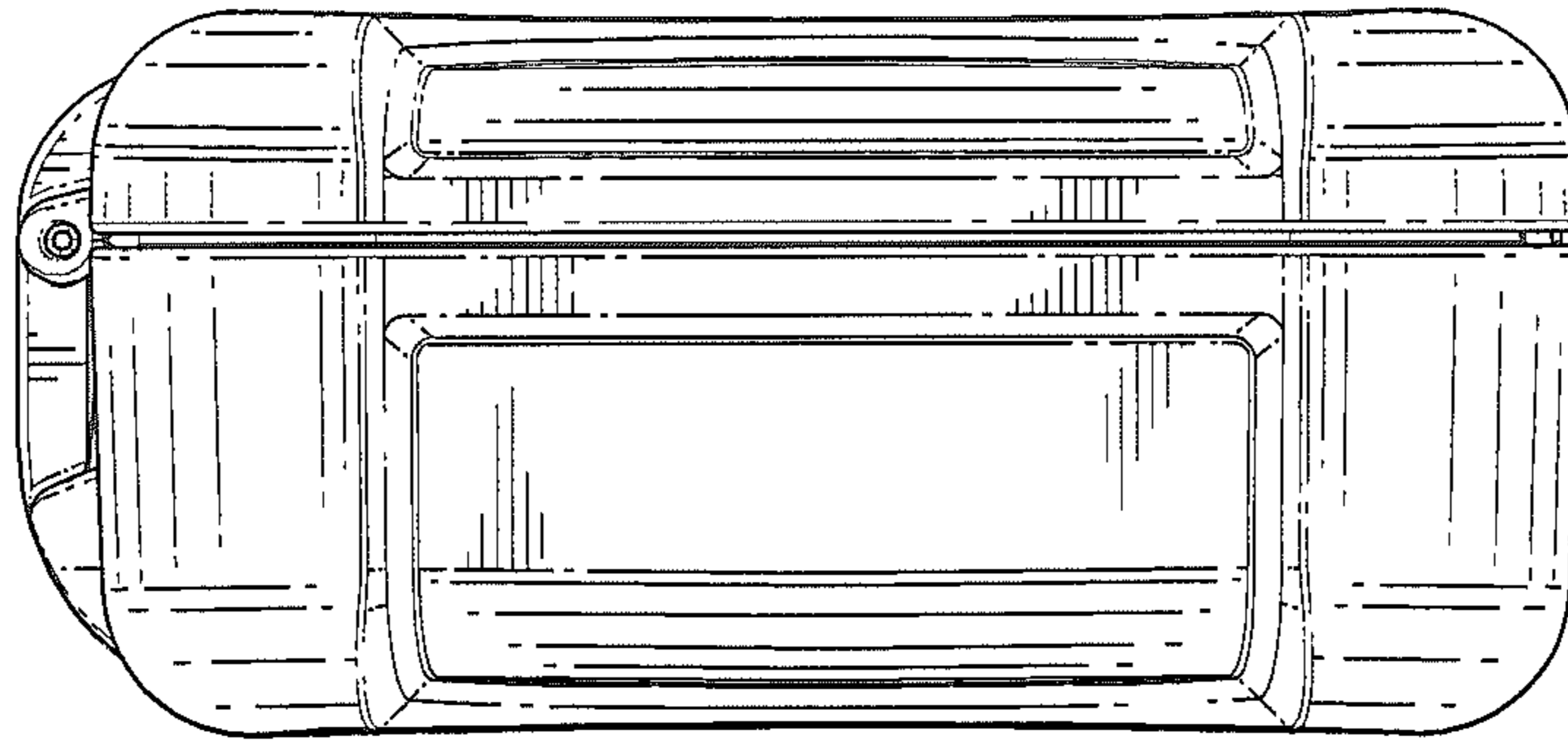


FIG. 4

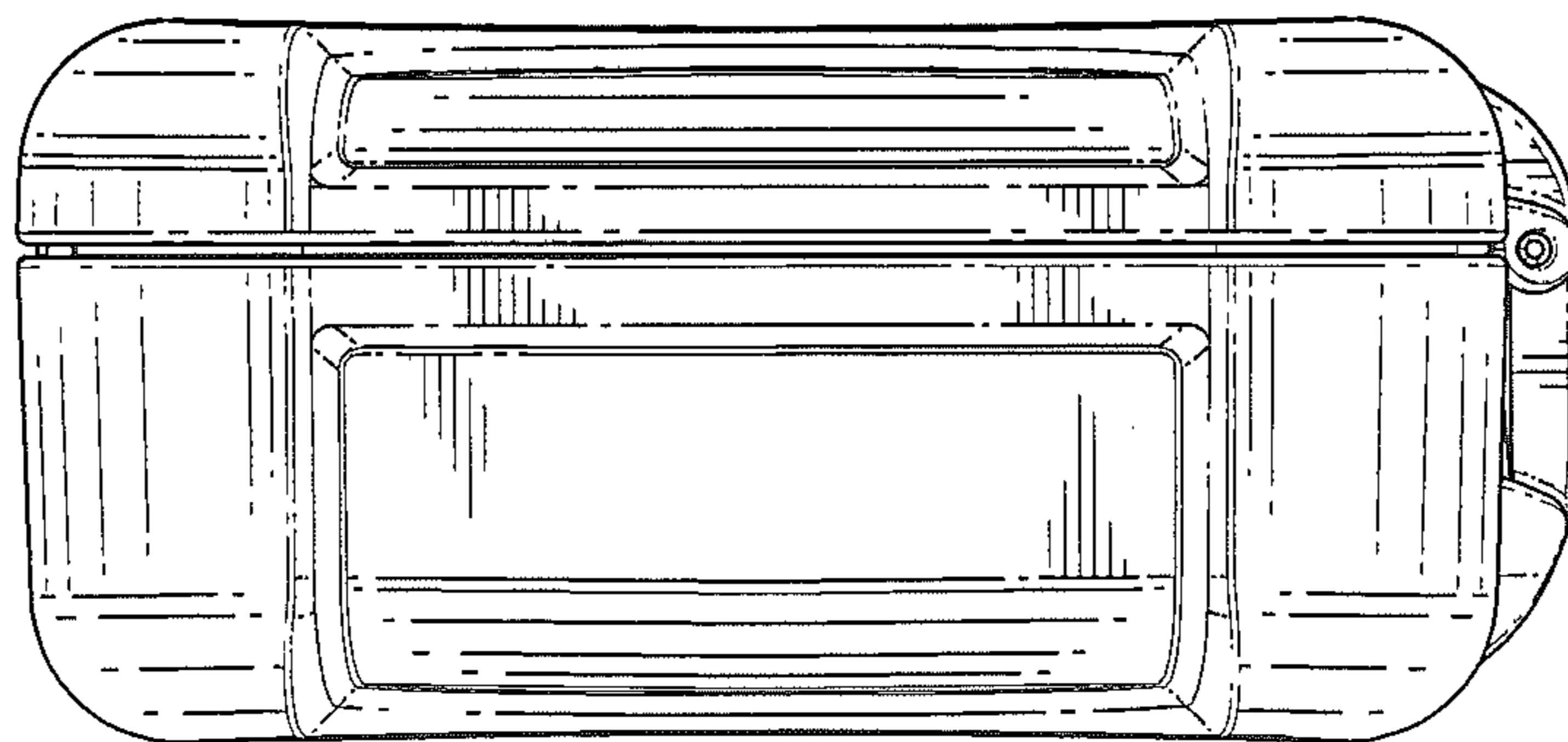


FIG. 5

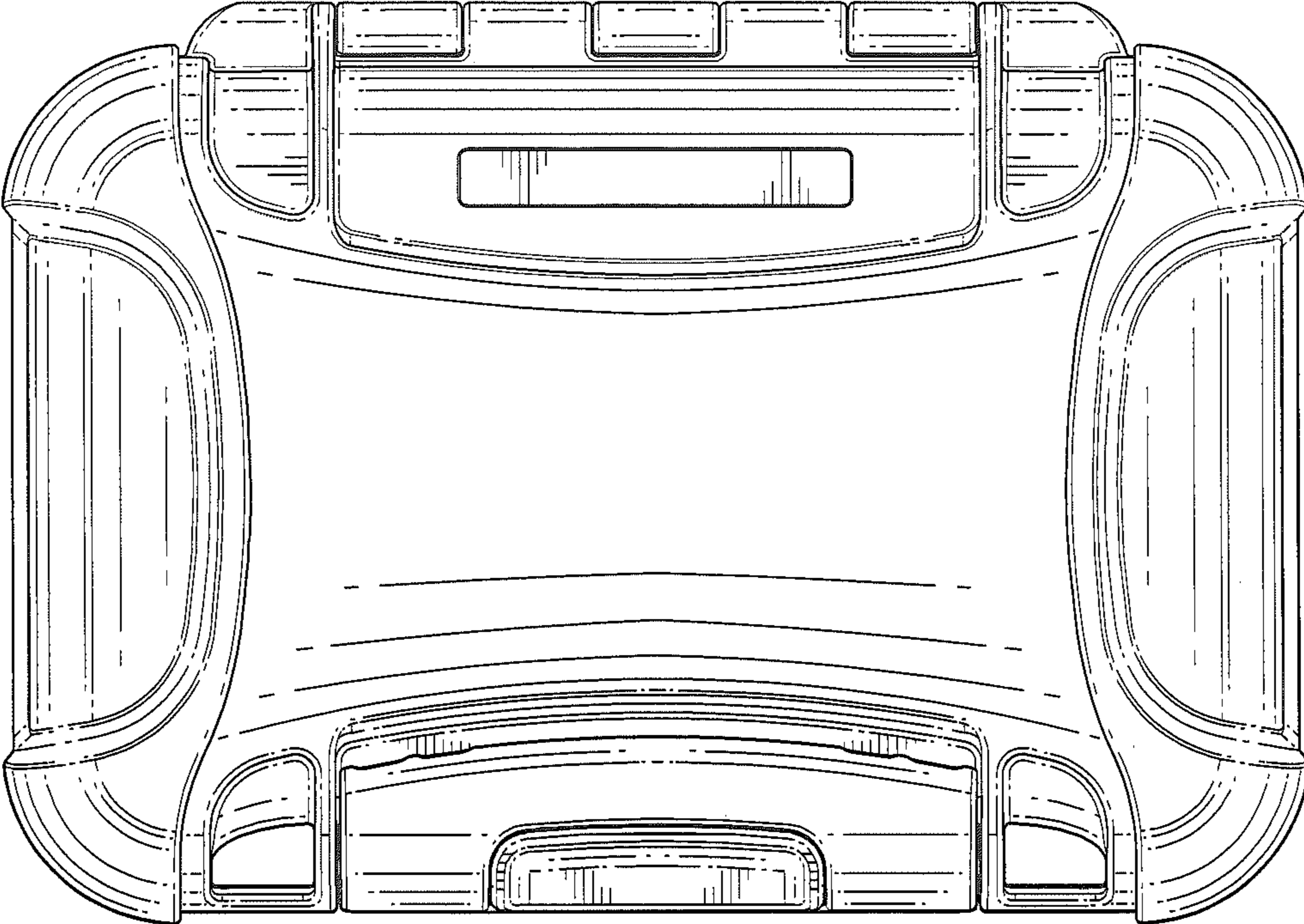


FIG. 6

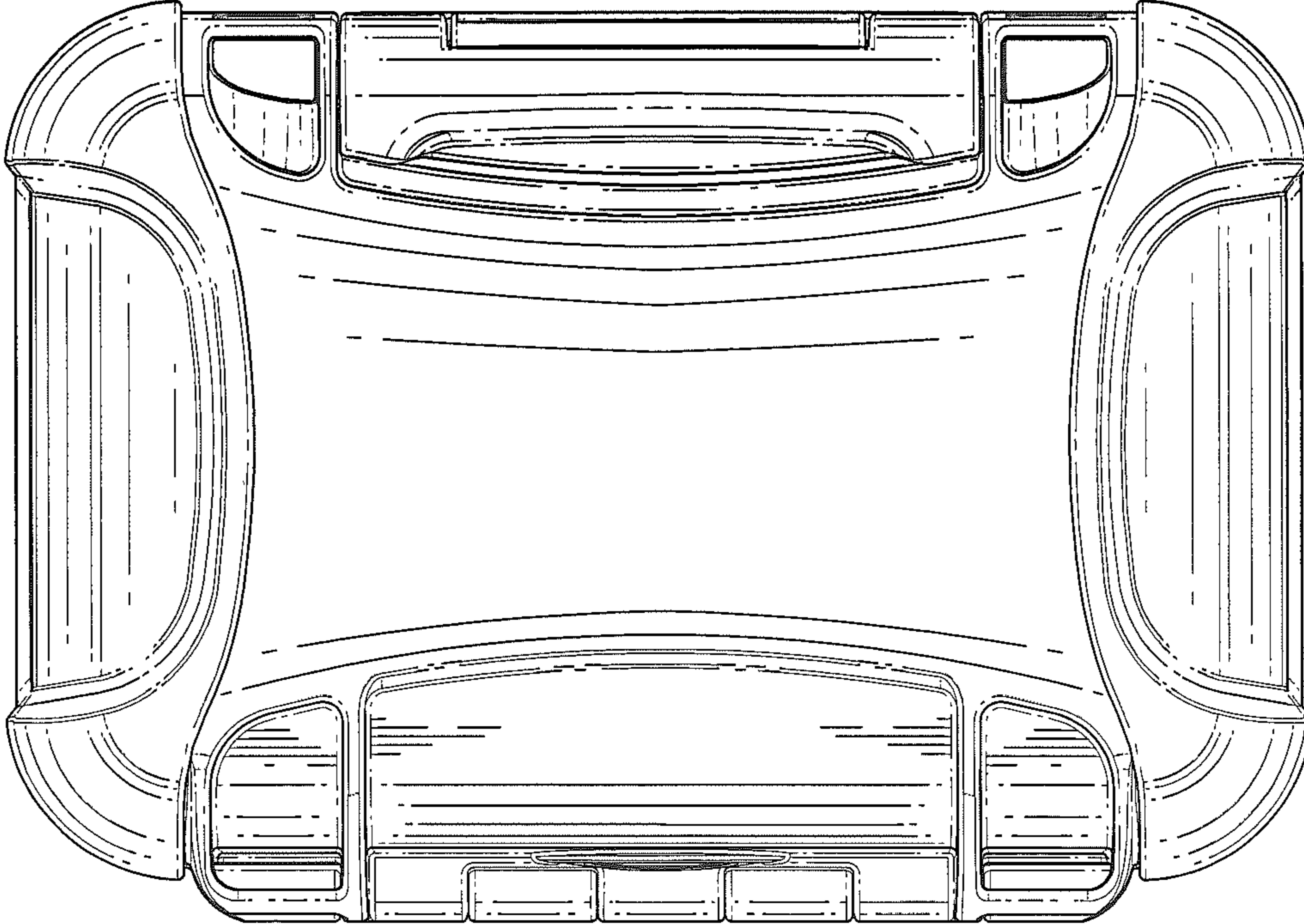


FIG. 7