



US00D733427S

(12) **United States Design Patent**  
**Yanuszka et al.**

(10) **Patent No.:** **US D733,427 S**

(45) **Date of Patent:** **\*\* Jul. 7, 2015**

(54) **TOOL KIT AND SHEATH COMBINATION  
FOR CHAINSAW**

(56) **References Cited**

U.S. PATENT DOCUMENTS

(71) Applicants: **Stephen A. Yanuszka**, Great Falls, MT  
(US); **John W. Meyer**, Cascade, MT  
(US)

2,788,889	A *	4/1957	Turnbow	206/576
3,344,818	A *	10/1967	Musgrove	83/814
D248,422	S *	7/1978	Malcolm	D3/269
4,369,575	A *	1/1983	Schurman	30/151
5,119,937	A *	6/1992	Reynolds, Jr.	206/349
D524,046	S *	7/2006	Pangerc et al.	D3/273
D661,169	S *	6/2012	Tinius	D8/65
D678,743	S *	3/2013	Tinius	D8/65
D680,740	S *	4/2013	Konecny, III	D3/294
D692,657	S *	11/2013	Hyma et al.	D3/273
8,813,374	B2 *	8/2014	Lank et al.	30/381
D713,141	S *	9/2014	Reeves	D3/220
2003/0075467	A1 *	4/2003	Anderson et al.	206/349
2005/0230279	A1 *	10/2005	Brady	206/349

(72) Inventors: **Stephen A. Yanuszka**, Great Falls, MT  
(US); **John W. Meyer**, Cascade, MT  
(US)

(73) Assignee: **Joshua 2011 LLC**, Great Falls, MN  
(US)

(\*) Notice: This patent is subject to a terminal disclaimer.

\* cited by examiner

(\*\*) Term: **14 Years**

*Primary Examiner* — Jennifer Rivard

*Assistant Examiner* — April Rivas

(21) Appl. No.: **29/442,680**

(74) *Attorney, Agent, or Firm* — Richard C. Conover

(22) Filed: **Apr. 18, 2013**

(57) **CLAIM**

The ornamental design for a tool kit and sheath combination for chainsaw, substantially as shown and described.

(51) **LOC (10) Cl.** ..... **03-01**

**DESCRIPTION**

(52) **U.S. Cl.**

USPC ..... **D3/274**; D3/282; D3/298; D3/905

(58) **Field of Classification Search**

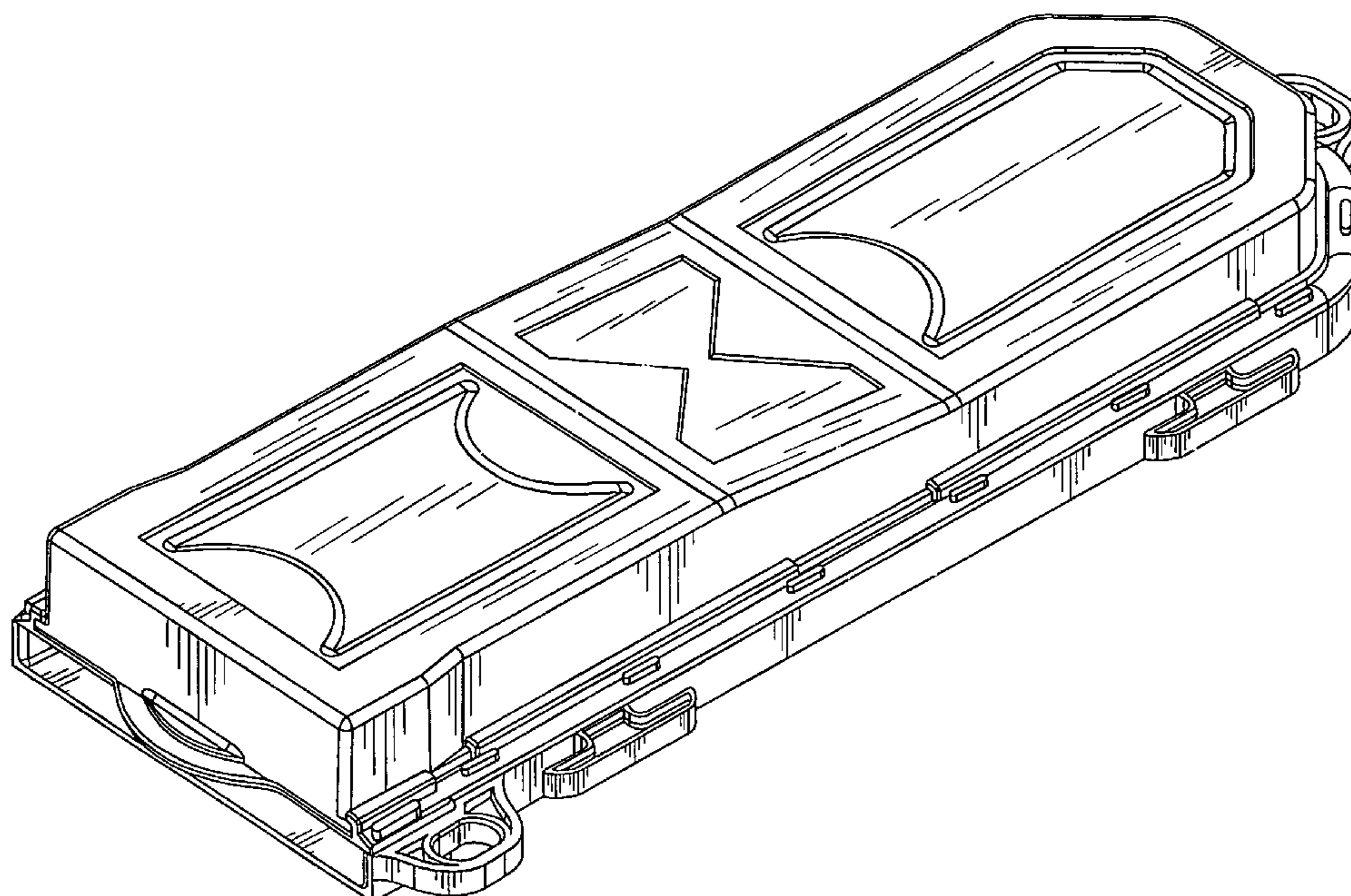
USPC ..... D3/905, 276, 279–284, 291, 294, 295,  
D3/298, 901, 302, 272, 273, 274, 903,  
D3/293; 206/372–379, 349, 319;  
220/523–528; 30/136; D8/65

CPC . B25H 3/02–3/028; B25H 3/00; B25H 3/003;  
B25H 3/006

FIG. 1 is a top plan view of a tool kit and sheath combination for chainsaw showing our new design; FIG. 2 is a bottom plan view thereof; FIG. 3 is a right side perspective view thereof; and, FIG. 4 is a left side perspective view thereof. The broken lines illustrate portions of the tool kit and sheath combination for chainsaw and form no part of the claimed design.

See application file for complete search history.

**1 Claim, 4 Drawing Sheets**



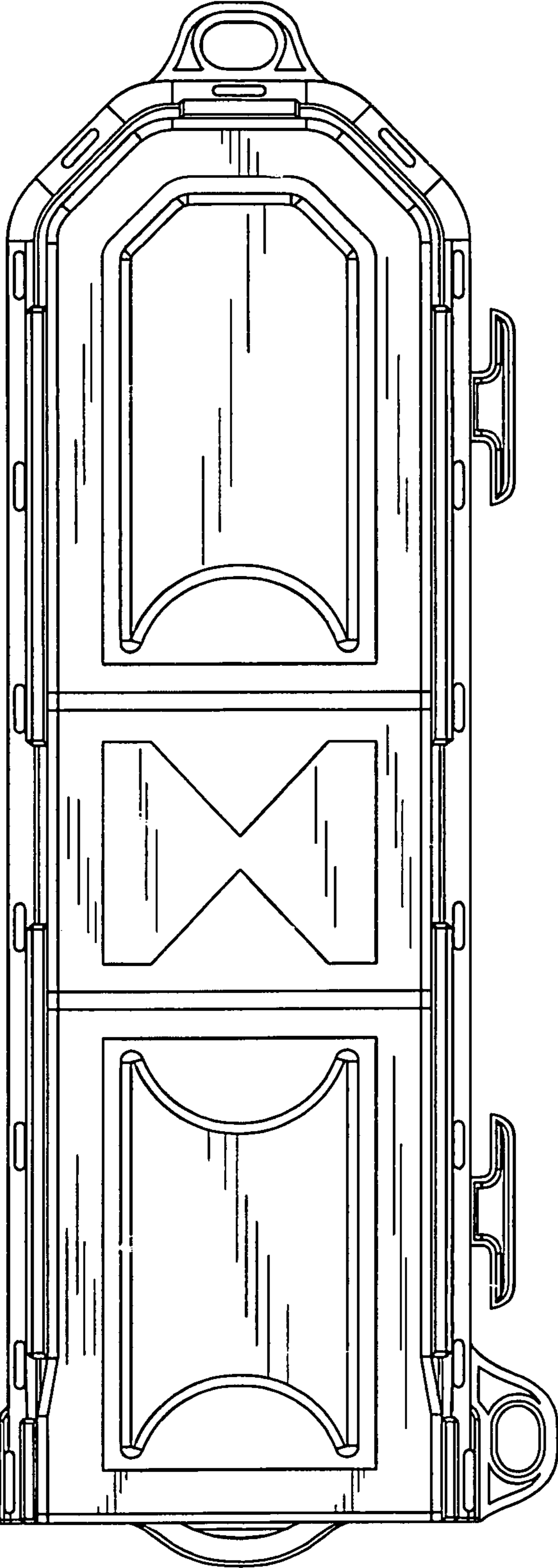


FIG. 1

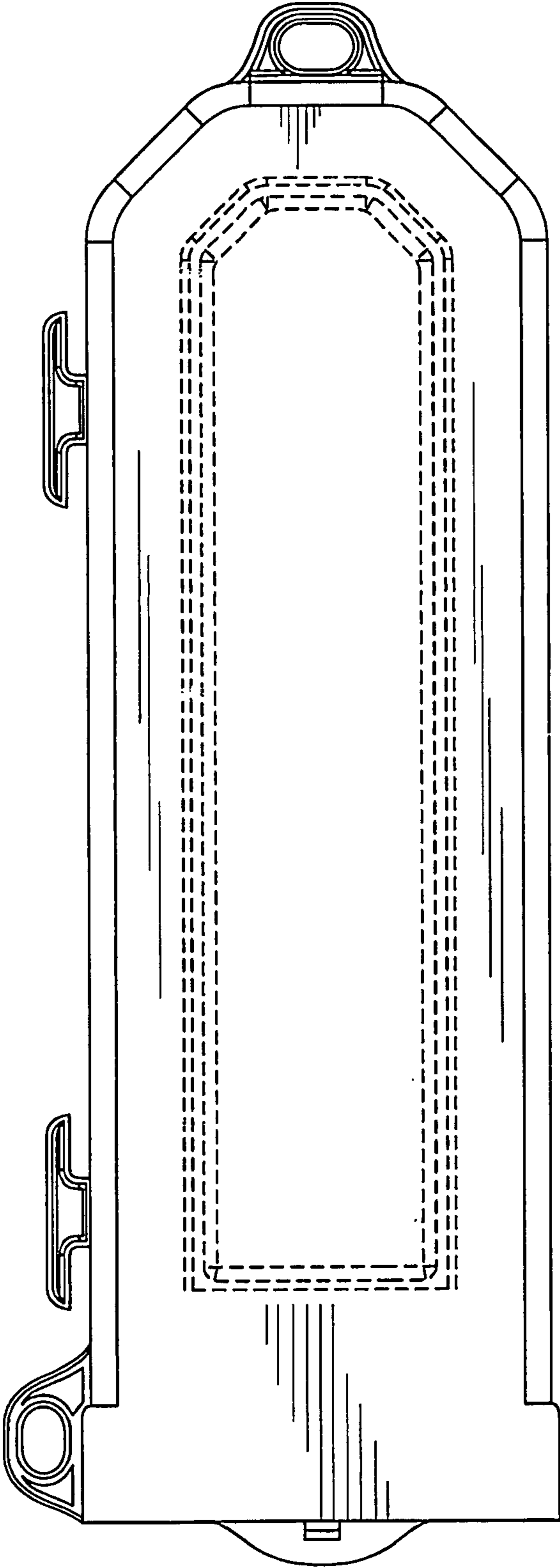


FIG. 2

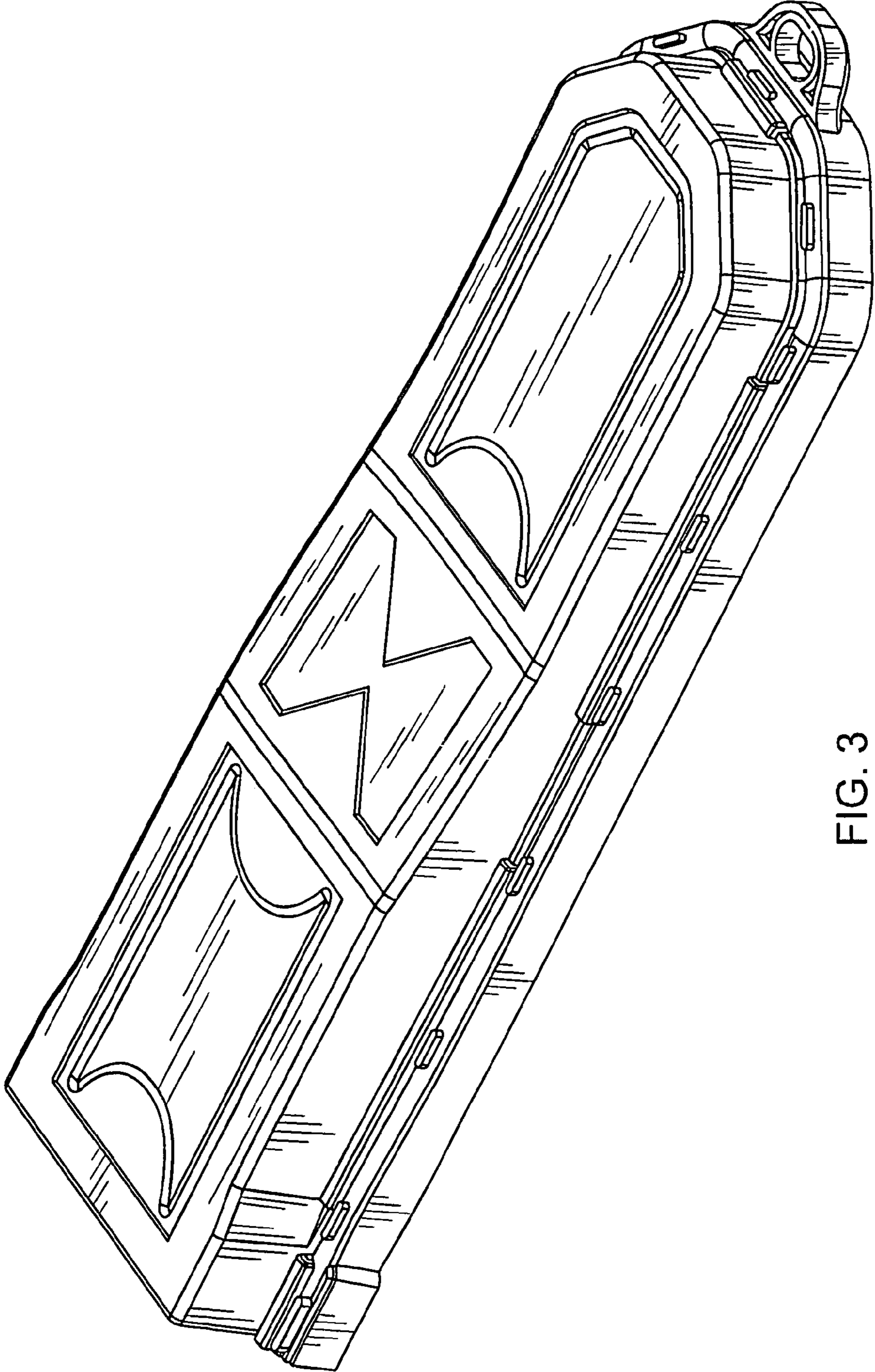


FIG. 3

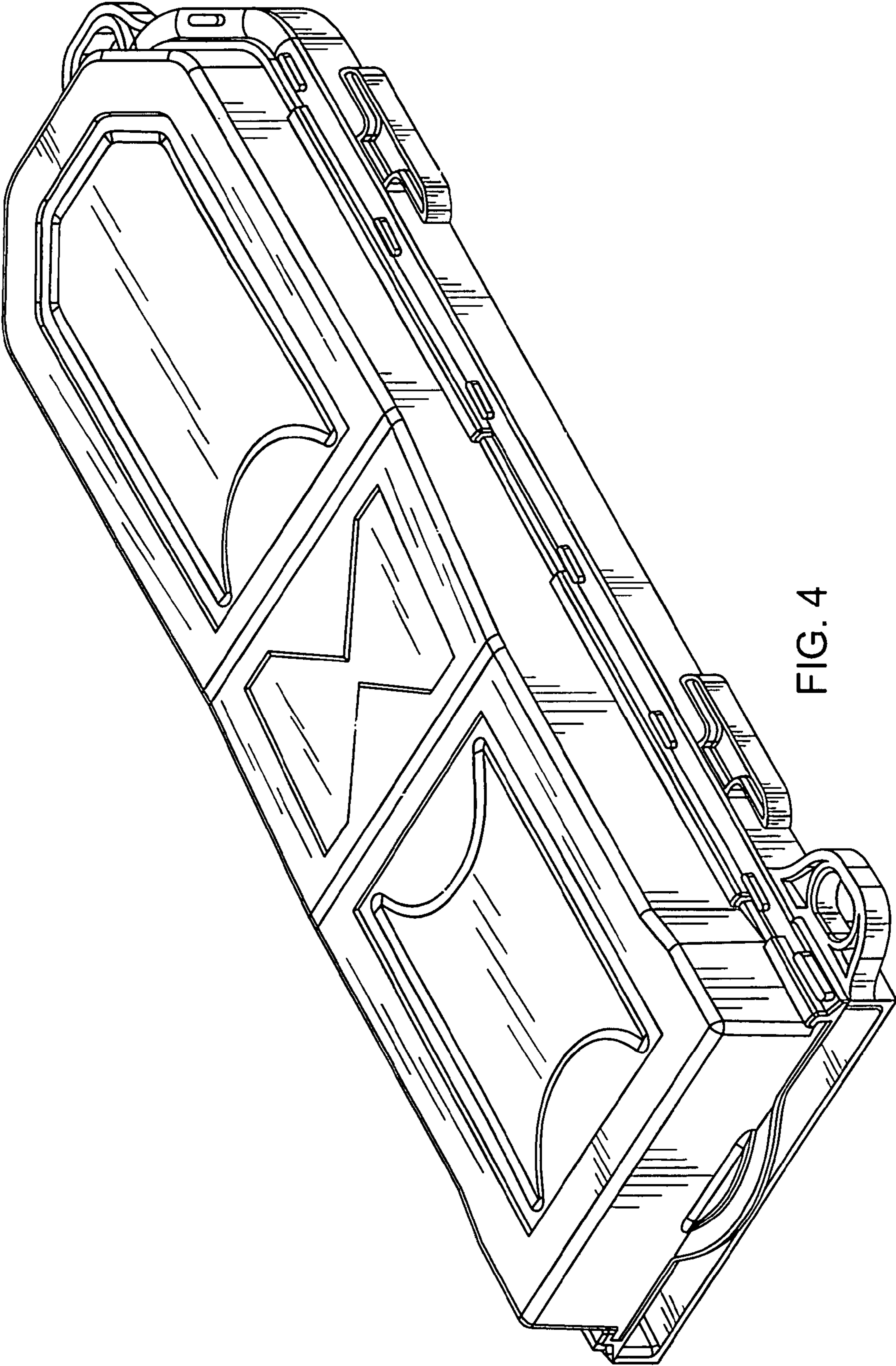


FIG. 4