



US00D733426S

(12) **United States Design Patent**
Haas et al.

(10) **Patent No.:** **US D733,426 S**
(45) **Date of Patent:** **** Jul. 7, 2015**

(54) **TRANSPORTATION AND STORAGE CONTAINER**

(71) Applicant: **Daimler AG**, Stuttgart (DE)

(72) Inventors: **Richard Haas**, Grafenau (DE); **Jan Schwanauer**, Schwieberdingen (DE)

(73) Assignee: **Daimler AG**, Stuttgart (DE)

(**) Term: **14 Years**

(21) Appl. No.: **29/454,604**

(22) Filed: **May 13, 2013**

(30) **Foreign Application Priority Data**

Nov. 13, 2012	(EM)	002134841-0001
Nov. 13, 2012	(EM)	002134841-0002
Nov. 13, 2012	(EM)	002134841-0003
Nov. 13, 2012	(EM)	002134841-0004
Nov. 13, 2012	(EM)	002134841-0005
Nov. 13, 2012	(EM)	002134841-0006
Nov. 13, 2012	(EM)	002134841-0007
Nov. 13, 2012	(EM)	002134841-0008

(51) **LOC (10) Cl.** **03-01**

(52) **U.S. Cl.**
USPC **D3/272; D3/273; D34/38**

(58) **Field of Classification Search**
USPC D3/260, 272, 273, 288, 282, 201, 294, D3/295, 304; 206/386, 503, 508, 509, 571, 206/595, 596, 597, 598, 599, 600, 511; 222/92, 93, 94, 95, 96, 97, 98, 99, 100, 222/101, 102, 103, 104, 105, 106, 107, 222/220; 220/1.5, 1.6; D9/433; D34/38

See application file for complete search history.

(56) **References Cited**

U.S. PATENT DOCUMENTS

3,401,814	A *	9/1968	Chiswell et al.	220/4.33
4,000,704	A *	1/1977	Griffin, Jr.	108/53.1
4,287,997	A *	9/1981	Rolfe et al.	220/1.5

4,413,737	A *	11/1983	Wind	206/599
RE32,344	E *	2/1987	Wind	206/599
D289,108	S *	4/1987	Guibault	D3/260
4,887,731	A *	12/1989	Pett et al.	220/1.5
D338,329	S *	8/1993	Cornwall	D3/272
D348,136	S *	6/1994	Haag et al.	D34/38

(Continued)

Primary Examiner — Jennifer Rivard

Assistant Examiner — April Rivas

(74) *Attorney, Agent, or Firm* — Crowell & Moring LLP

(57) **CLAIM**

The ornamental design for a transportation and storage container, as shown and described.

DESCRIPTION

FIG. 1 is a front, right perspective view of a first embodiment of a transportation and storage container according to the design, the front, left perspective view being mirror symmetrical;

FIG. 2 is a front view thereof;

FIG. 3 is a side view thereof, the opposite side view being identical;

FIG. 4 is a rear view thereof;

FIG. 5 is a top view thereof; and

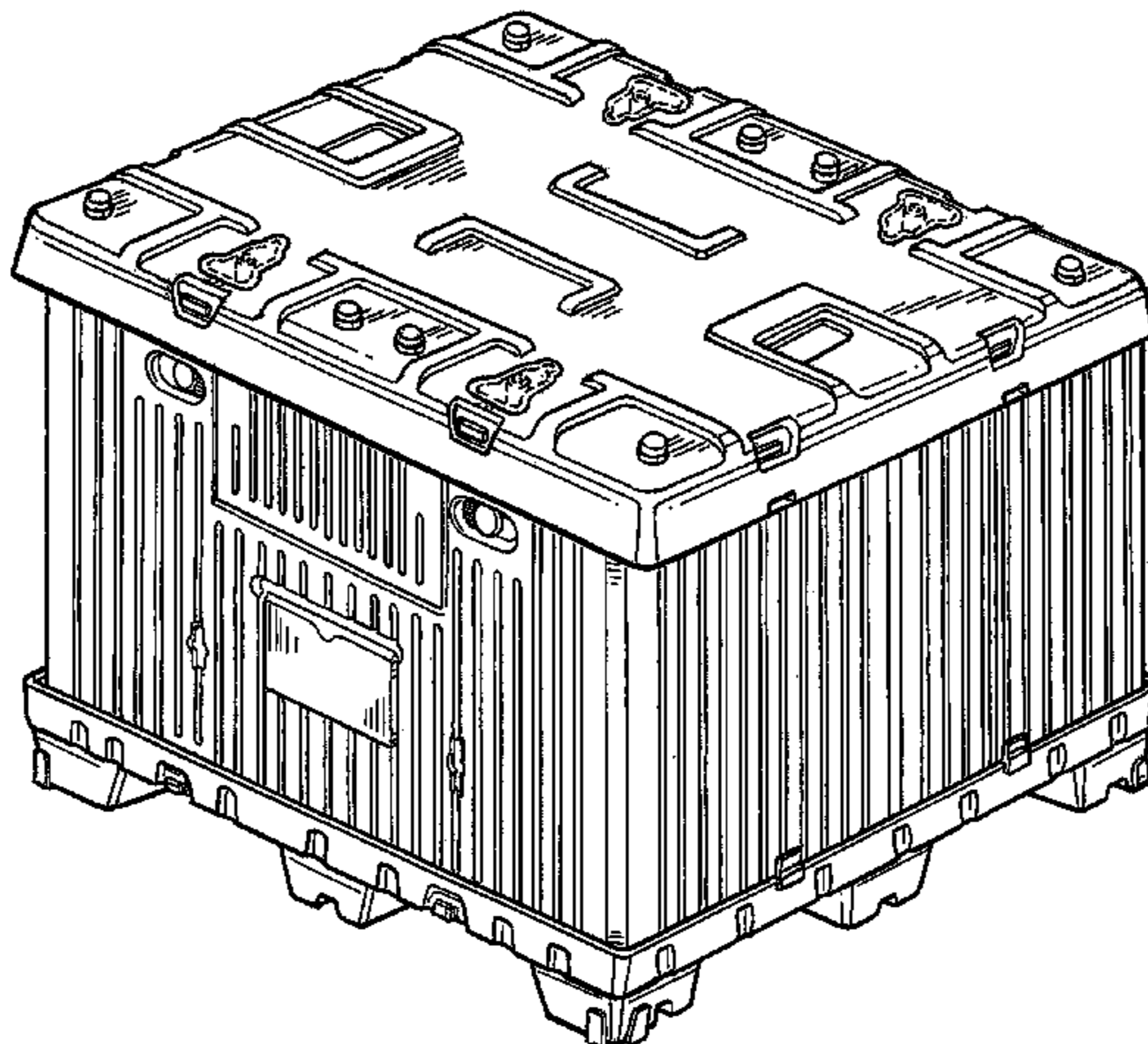
FIG. 6 is a bottom view thereof.

FIG. 7 is a front, right perspective view of a second embodiment of a transportation and storage container according to the design, showing a front element in an alternate position, the front, left perspective view being mirror symmetrical. The rear, top, and bottom views are identical to those of the first embodiment; and,

FIG. 8 is a bottom perspective view of the first and second embodiments of the transportation and storage container according to the design, with the top and middle portions of the first and second embodiments removed for convenience of illustration.

The broken lines immediately adjacent to the shade lines in FIGS. 1, 5, and 7 represent the bounds of the claim. The remaining broken lines illustrate unclaimed portions of the article. None of the broken lines form part of the claimed design. Also enclosed is a set of photographs of an embodiment of the design.

1 Claim, 8 Drawing Sheets



(56)

References Cited

U.S. PATENT DOCUMENTS

D348,342 S * 6/1994 Lang-Ree et al. D3/288
D363,162 S * 10/1995 Bunger D3/272
5,564,599 A * 10/1996 Barber et al. 222/105
D414,333 S * 9/1999 Barber et al. D3/272
6,170,689 B1 * 1/2001 Flesher et al. 220/7

6,367,630 B1 * 4/2002 Elskamp 206/508
D466,690 S * 12/2002 Walsh D34/38
6,991,124 B1 * 1/2006 Palley et al. 220/1.5
D521,208 S * 5/2006 France D34/38
D548,924 S * 8/2007 Frankenberg D34/38
D580,170 S * 11/2008 Klotzman et al. D3/272
D612,567 S * 3/2010 Carter D34/38

* cited by examiner

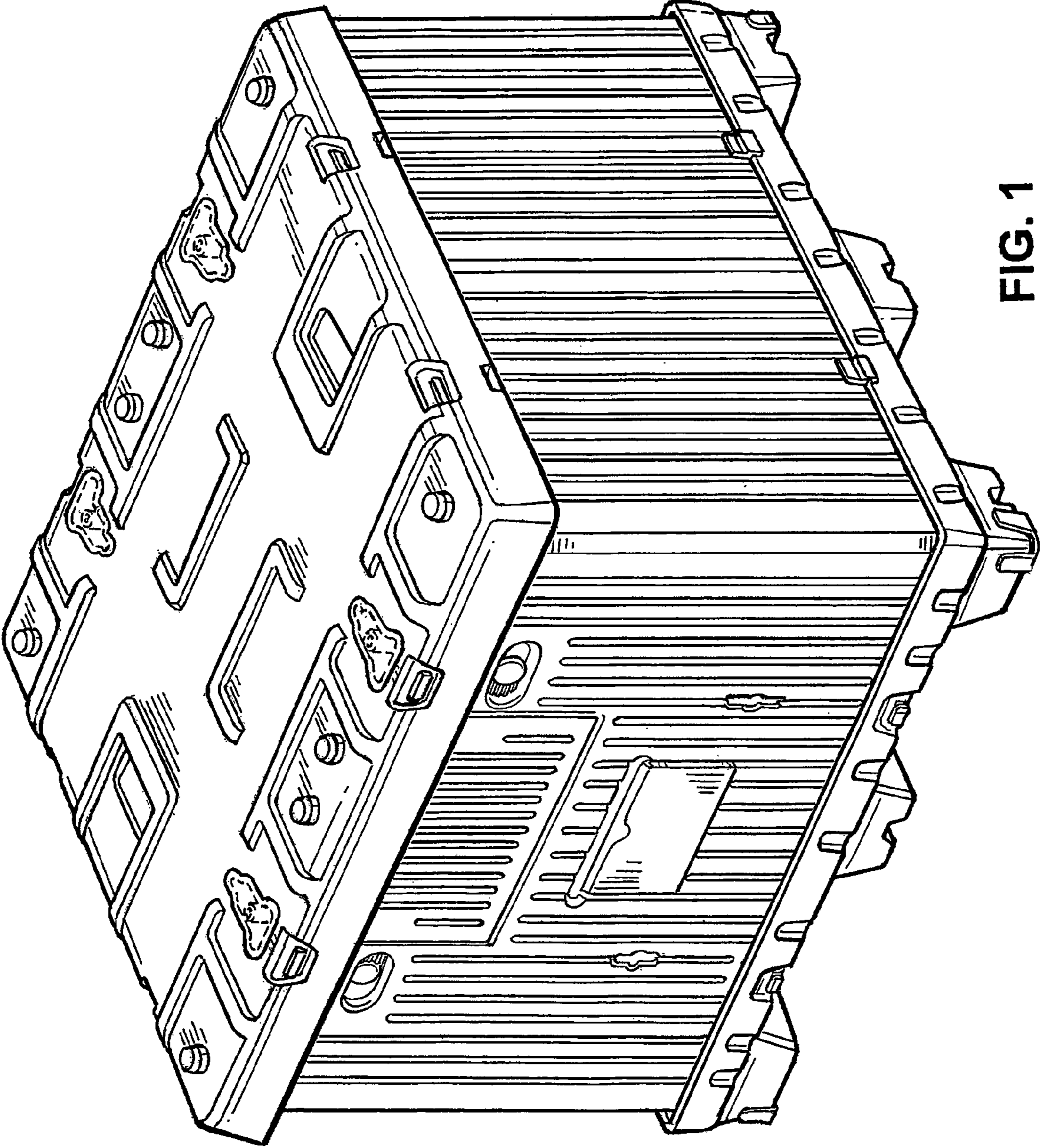


FIG. 1

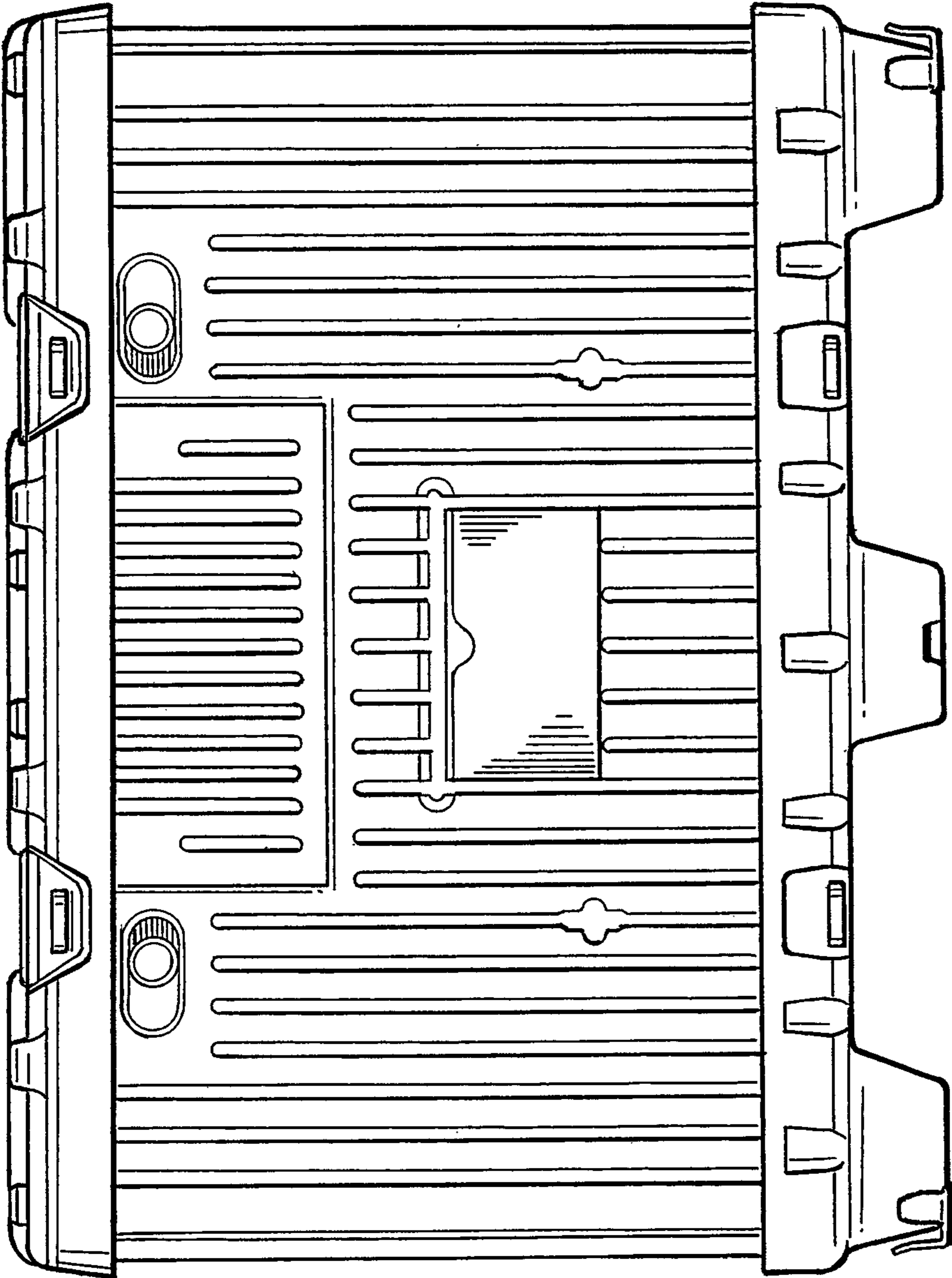


FIG. 2

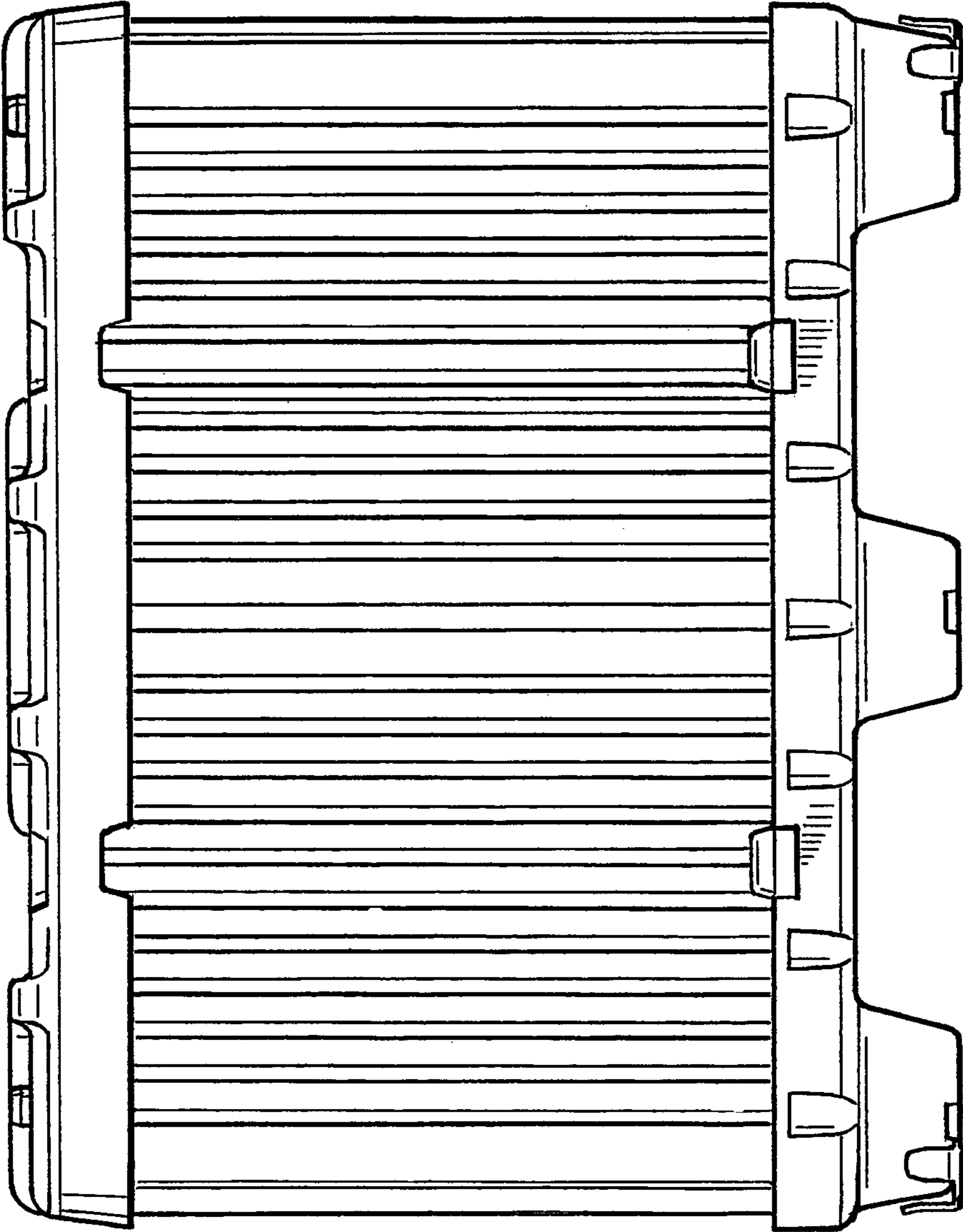


FIG. 3

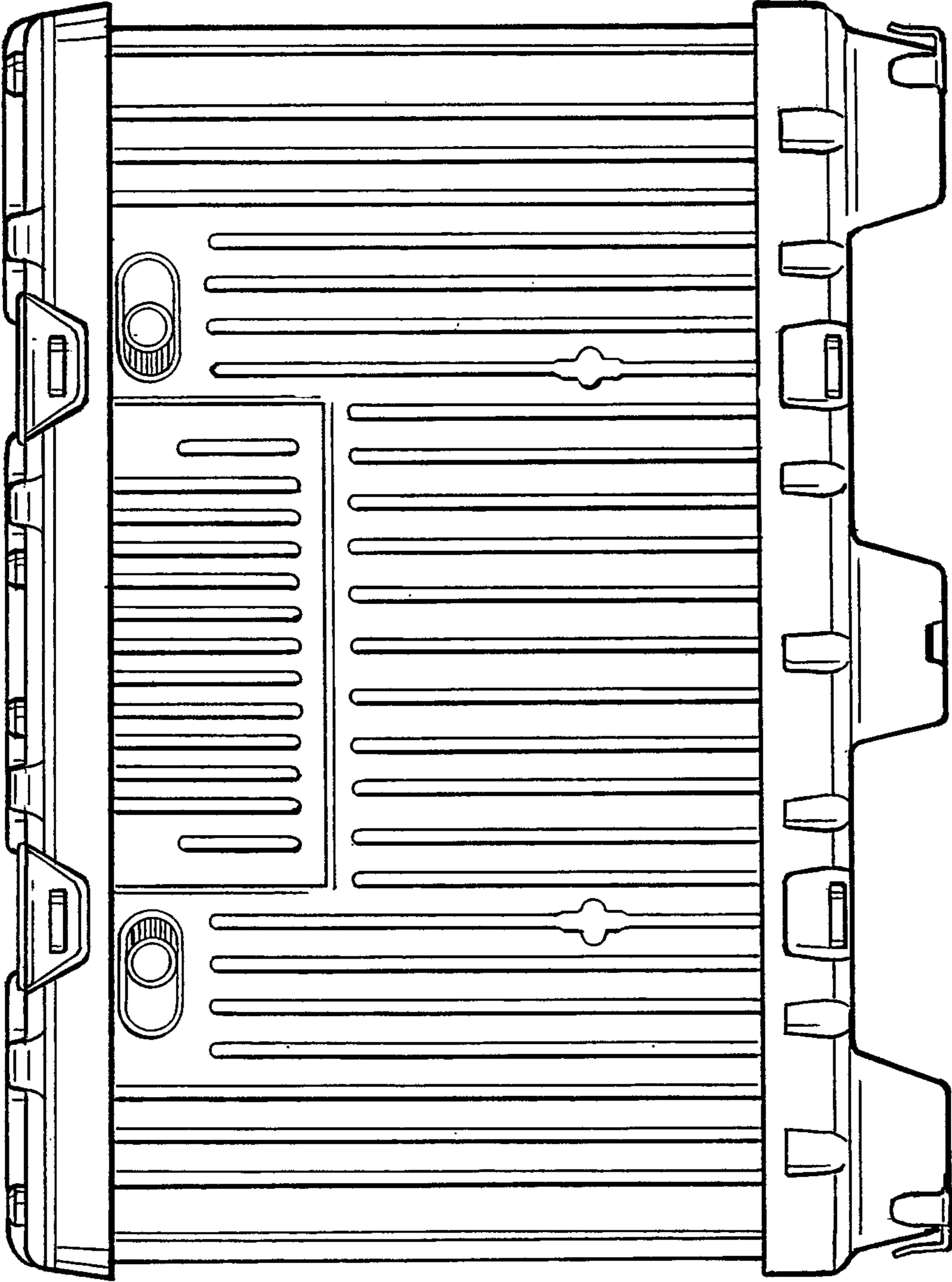


FIG. 4

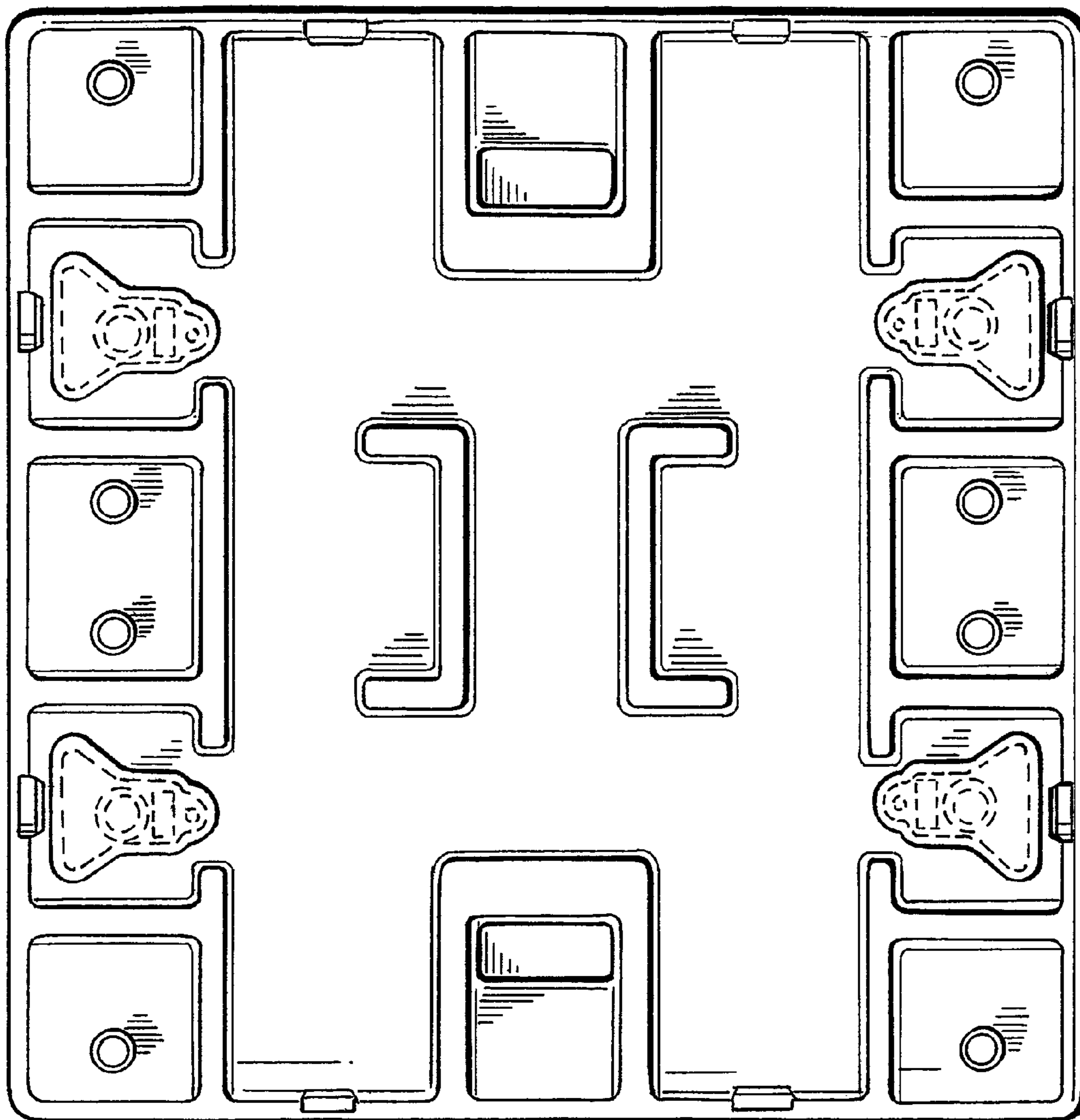


FIG. 5

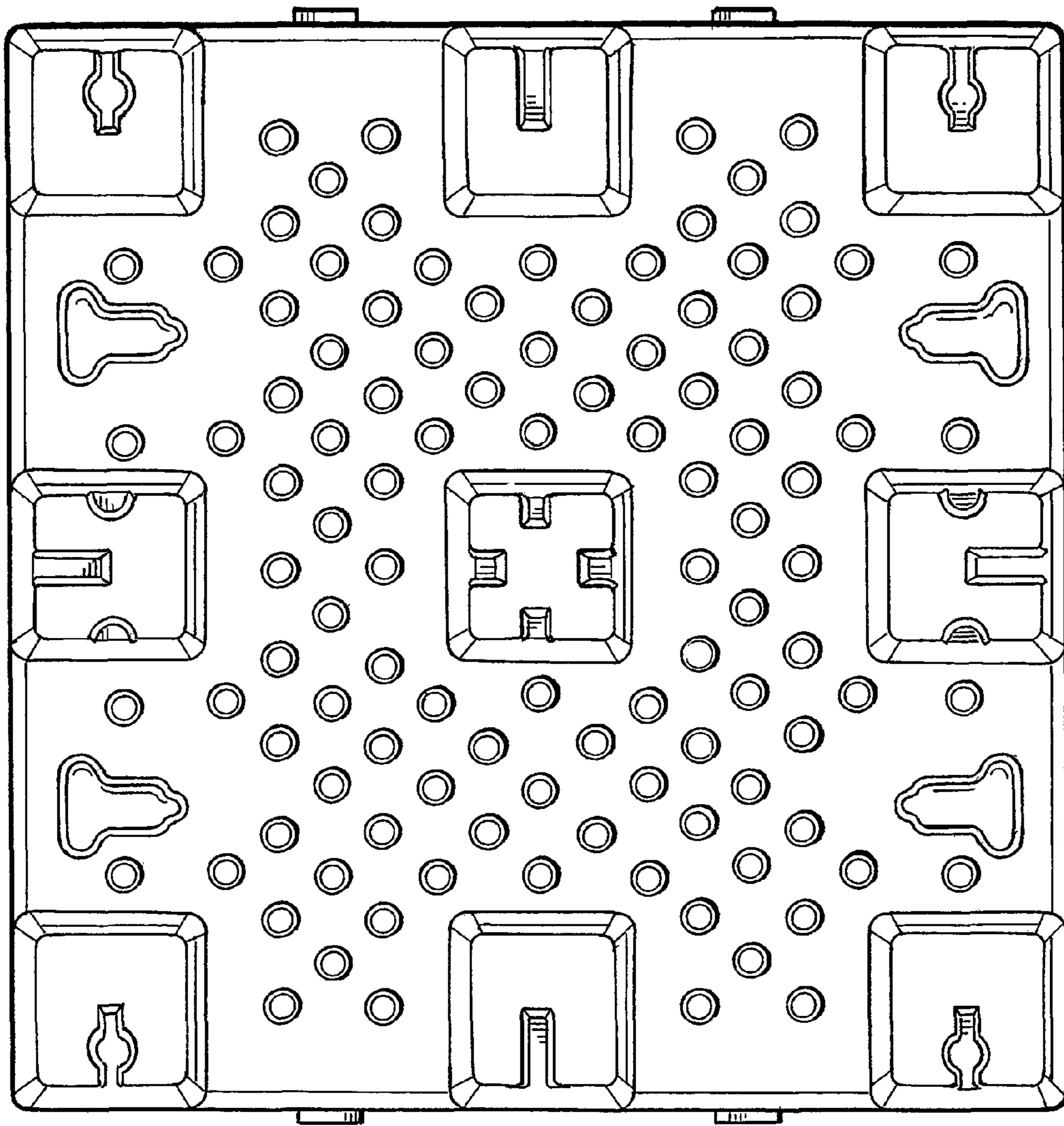


FIG. 6

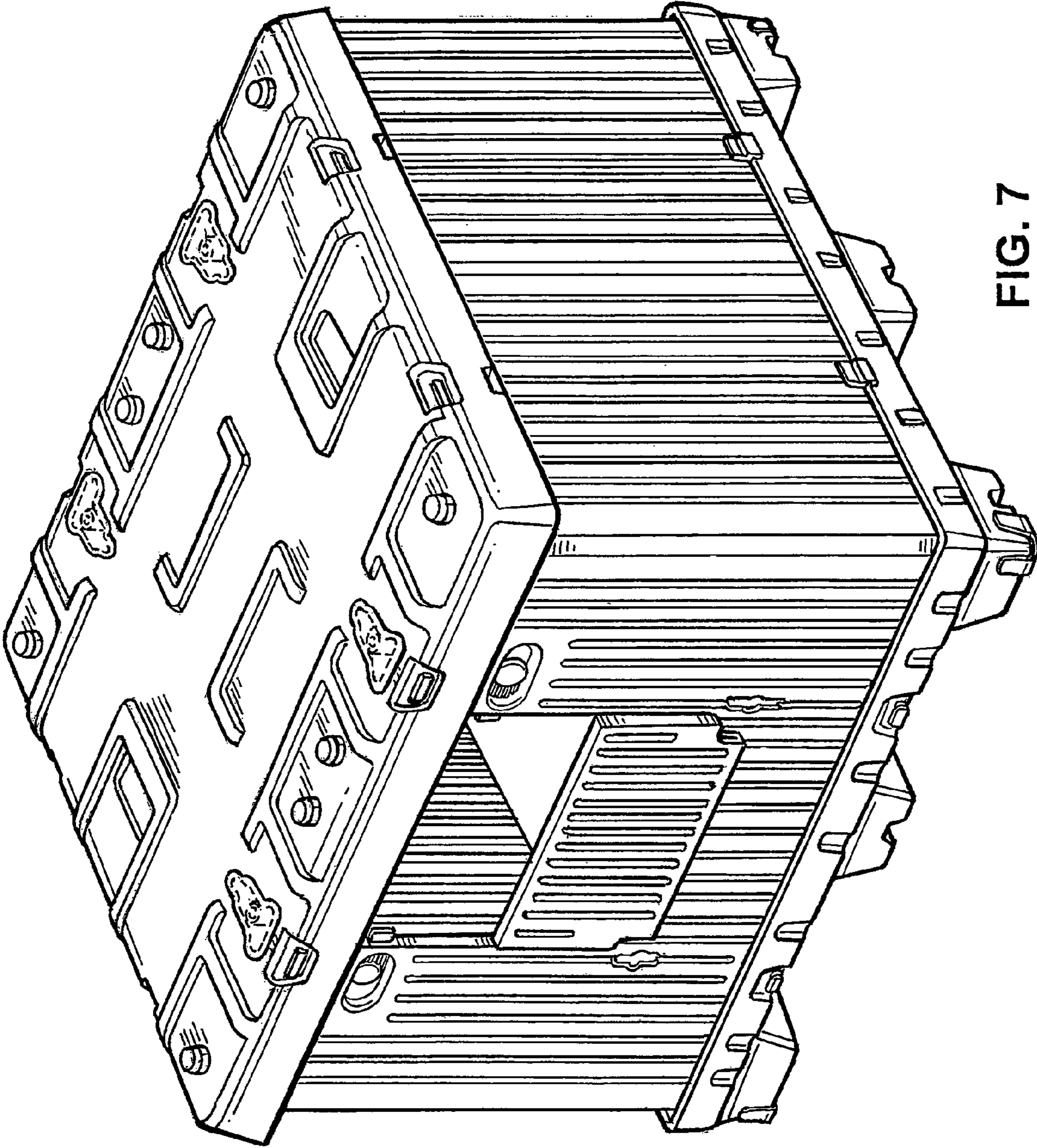


FIG. 7

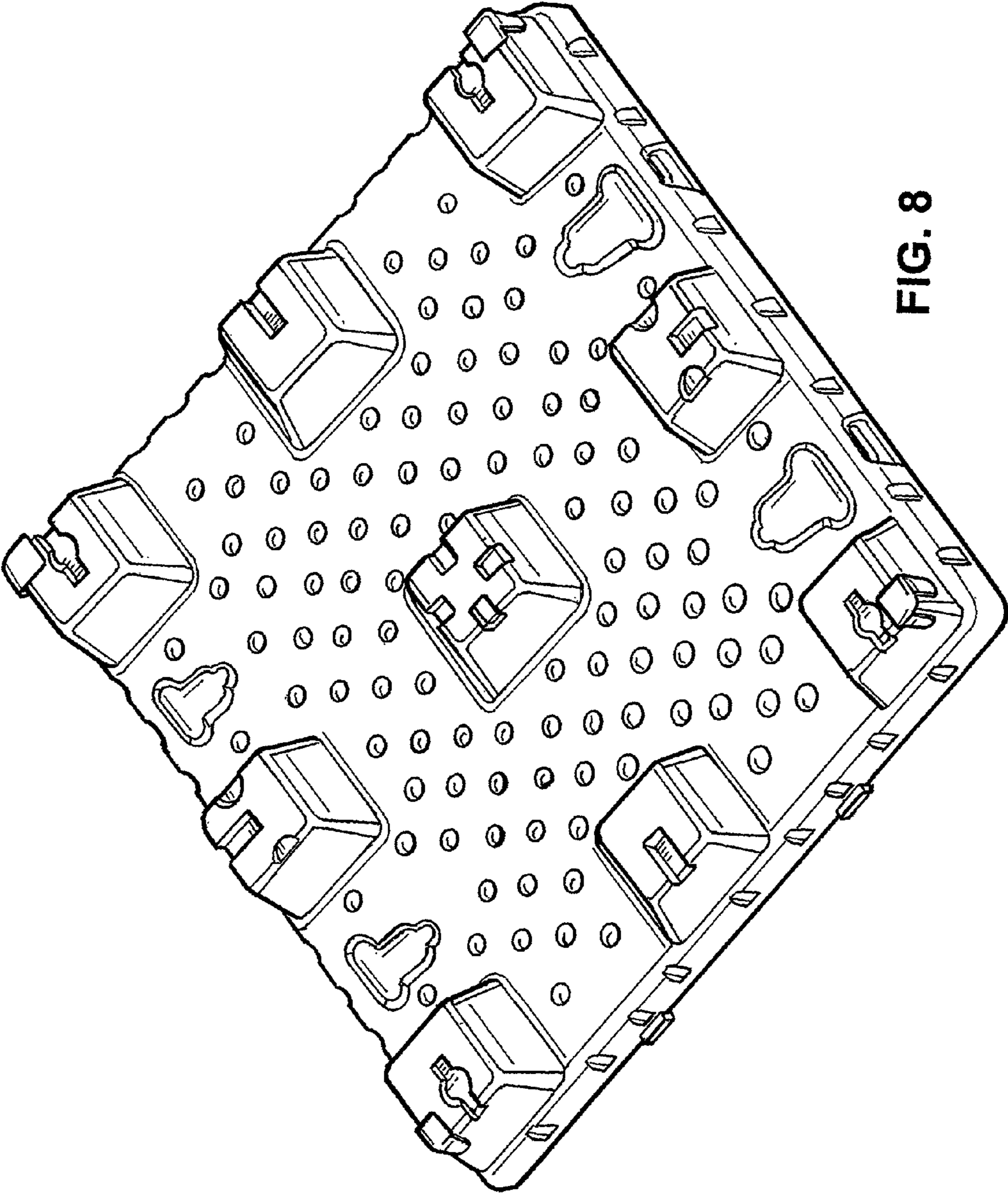


FIG. 8