



US00D733422S

(12) **United States Design Patent**  
**Rogers et al.**

(10) **Patent No.:** **US D733,422 S**

(45) **Date of Patent:** **\*\* Jul. 7, 2015**

(54) **HOLSTER BLANK AND HOLSTER DESIGN**

(71) Applicants: **William H. Rogers**, St. Augustine, FL (US); **Matthew E. McKendrick**, Jacksonville, FL (US)

(72) Inventors: **William H. Rogers**, St. Augustine, FL (US); **Matthew E. McKendrick**, Jacksonville, FL (US)

(\*\*) Term: **14 Years**

(21) Appl. No.: **29/479,158**

(22) Filed: **Jan. 13, 2014**

(51) **LOC (10) Cl.** ..... **03-01**

(52) **U.S. Cl.**  
USPC ..... **D3/222**

(58) **Field of Classification Search**  
USPC ..... D3/222-223, 269; 224/163, 192-193, 224/197-198, 238, 243-244, 349, 587, 665, 224/667, 669, 672, 682, 901.4, 911-912; 42/106; 89/34

See application file for complete search history.

(56) **References Cited**

U.S. PATENT DOCUMENTS

6,763,984	B2 *	7/2004	Gallagher	.....	224/193
7,314,152	B1 *	1/2008	Garrett	.....	224/192
7,841,497	B1 *	11/2010	Gregory et al.	.....	224/243
D668,453	S *	10/2012	Teichelman	.....	D3/269
D681,943	S *	5/2013	Beard et al.	.....	D3/222
8,870,042	B2 *	10/2014	Clifton	.....	224/243
8,910,839	B2 *	12/2014	Clifton	.....	224/243

\* cited by examiner

*Primary Examiner* — Catheri Oliver-Garcia

(74) *Attorney, Agent, or Firm* — Arthur G. Yeager

(57) **CLAIM**

The ornamental design for a holster blank and holster design, as shown and described.

**DESCRIPTION**

FIG. 1 is a top, front perspective view of the outside of the holster blank;

FIG. 2 is a bottom front perspective view of the inside of the holster blank;

FIG. 3 is a bottom front perspective view of FIG. 2 rotated 180°;

FIG. 4 is a top, rear perspective view of the outside of FIG. 1 at another angle;

FIG. 5 is a top plan view of FIG. 1;

FIG. 6 is a bottom plan view of FIG. 1;

FIG. 7 is a left side elevational view of FIG. 5;

FIG. 8 is a rear side elevational view of FIG. 5;

FIG. 9 is a top muzzle and outer side perspective of the holster body formed by folding the holster blank of FIG. 5 which contacts the two clam-like halves together;

FIG. 10 is a top muzzle and inner side perspective of the holster body of FIG. 10;

FIG. 11 is a side elevational view of FIG. 11;

FIG. 12 is a side elevational view of FIG. 10;

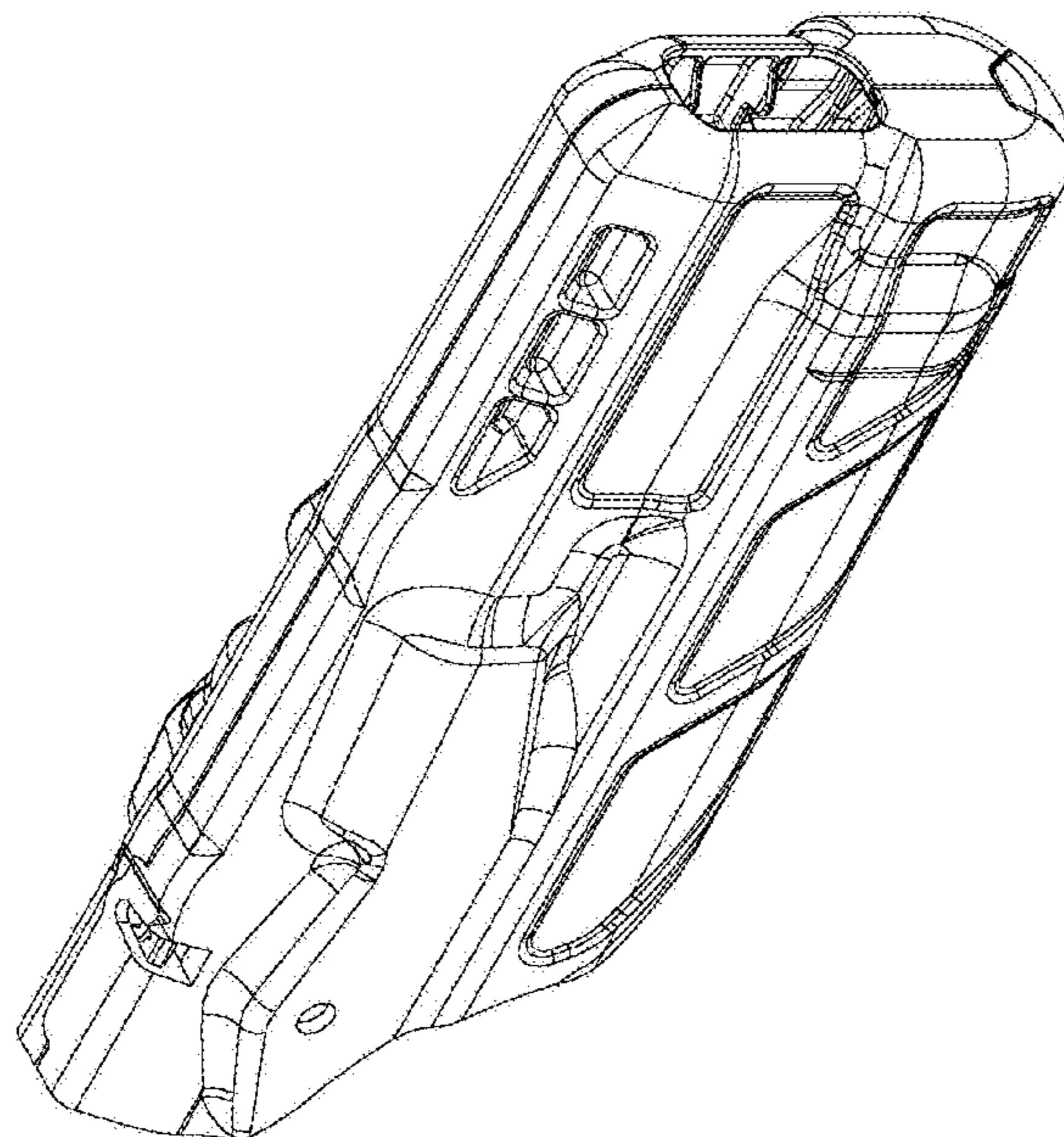
FIG. 13 is a top plan view thereof FIGS. 10 and 11;

FIG. 14 is a bottom plan view of FIGS. 10 and 11;

FIG. 15 is a front end elevational view of FIGS. 10 and 11; and,

FIG. 16 is a rear end elevational view of FIGS. 10 and 11.

**1 Claim, 14 Drawing Sheets**



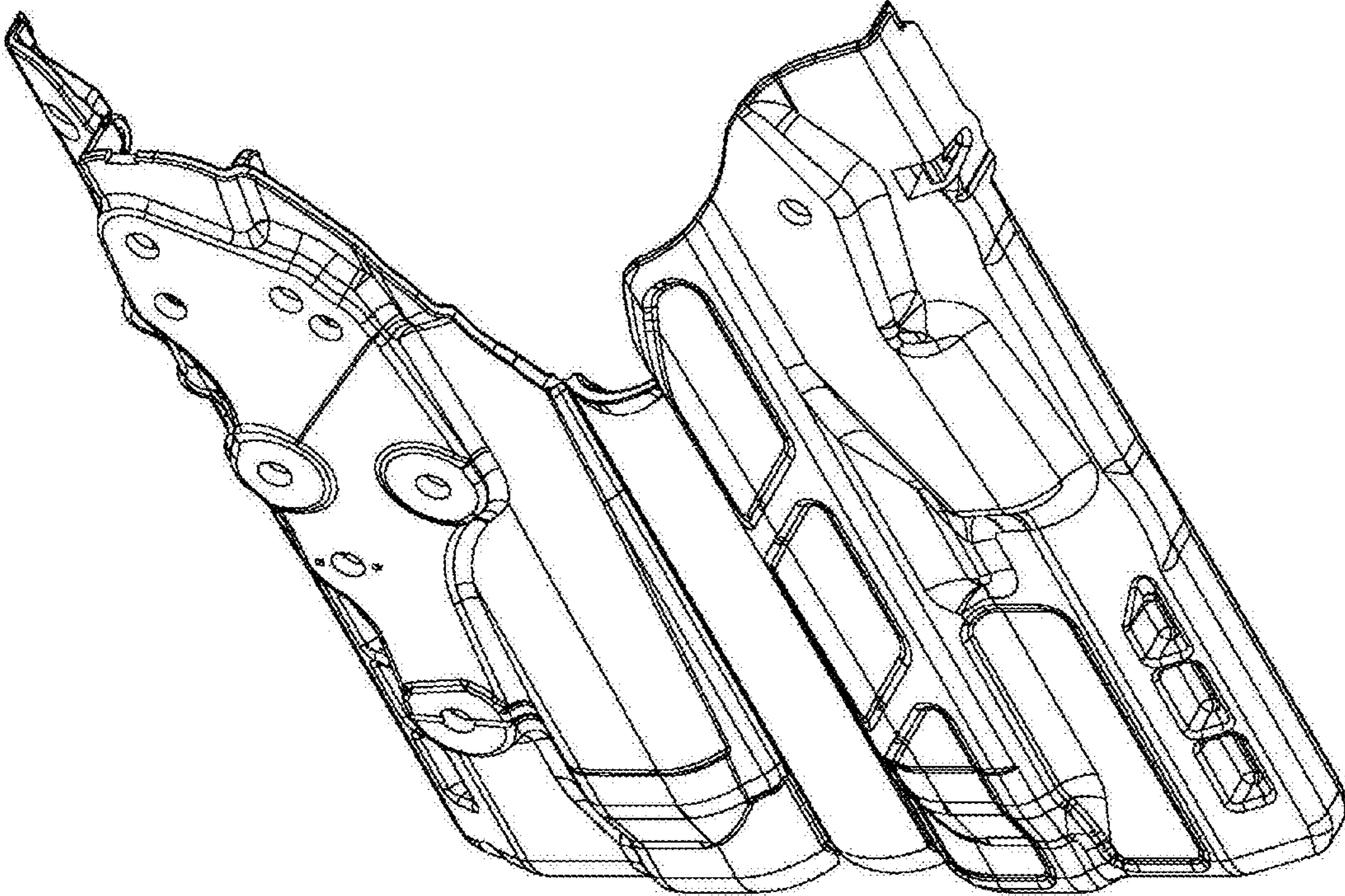


FIG. 1

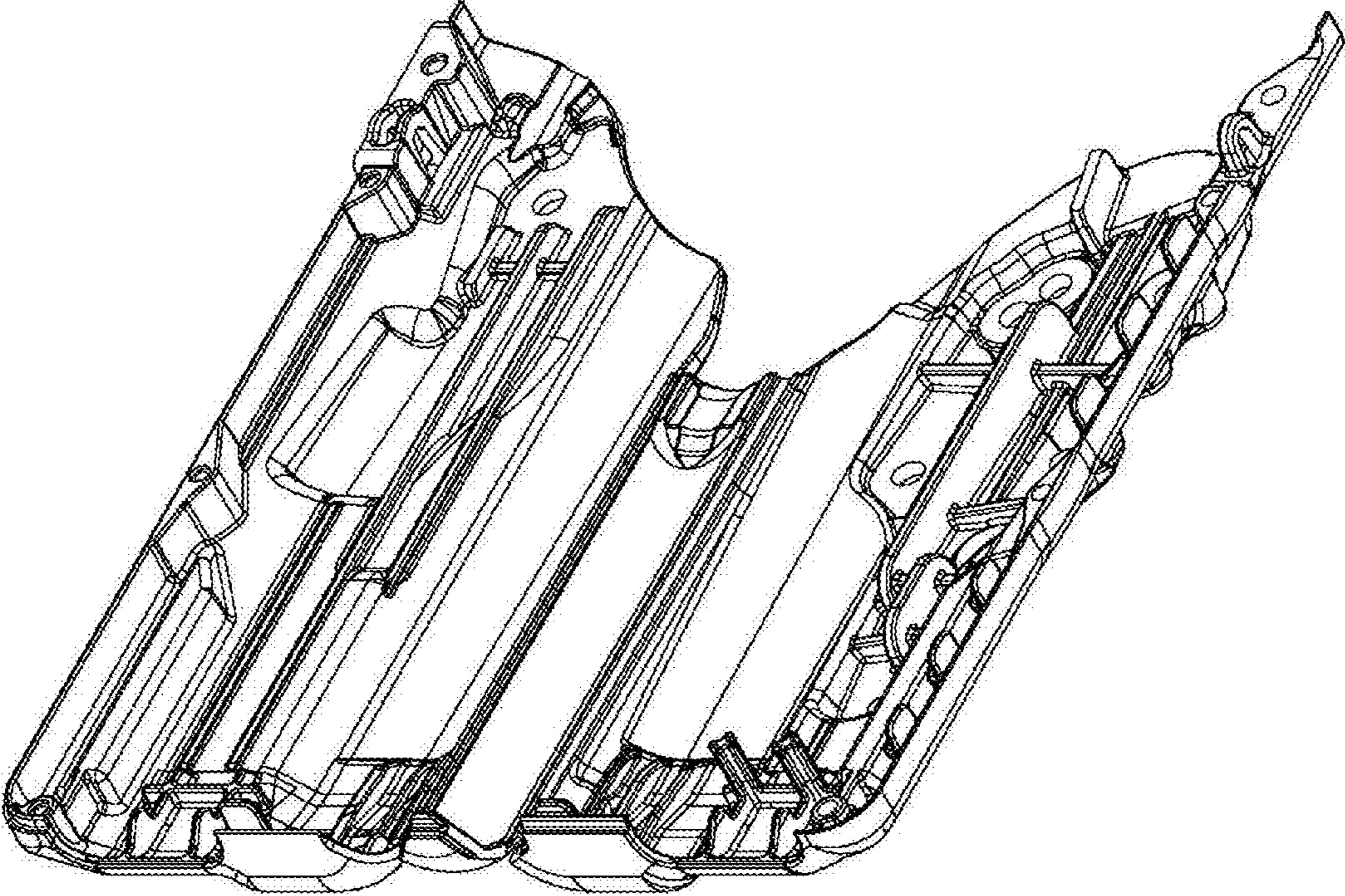


FIG. 2

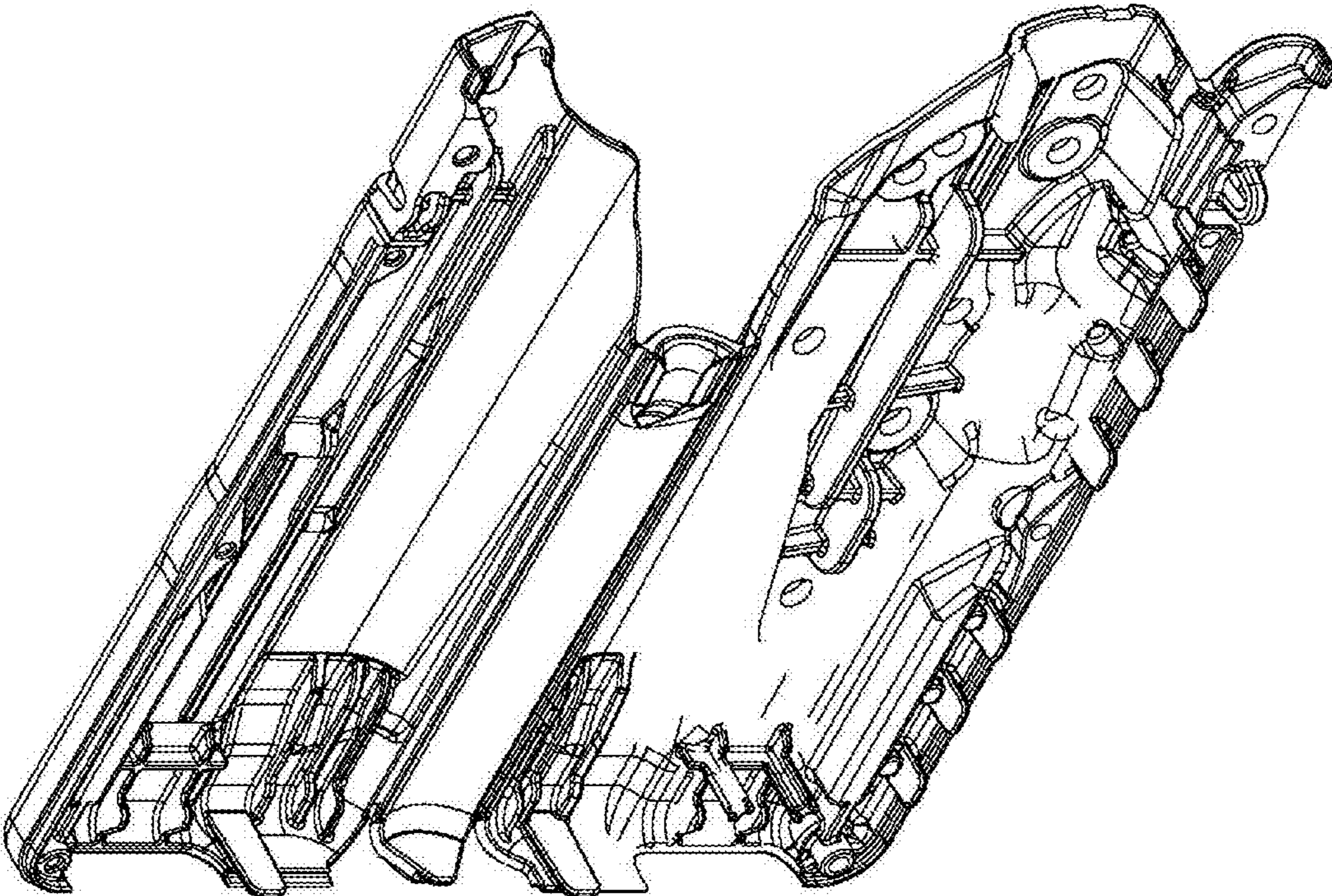


FIG. 3

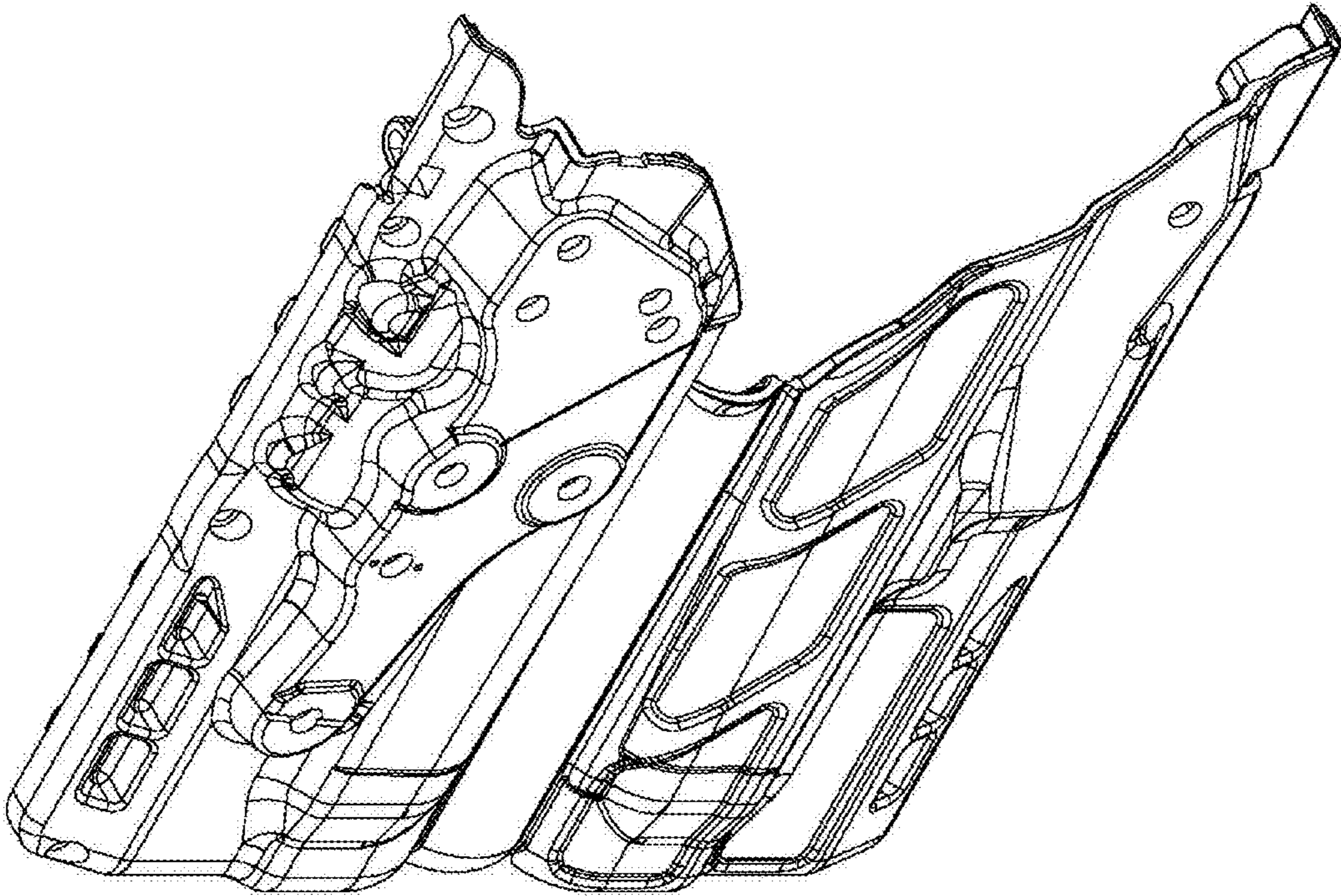


FIG. 4

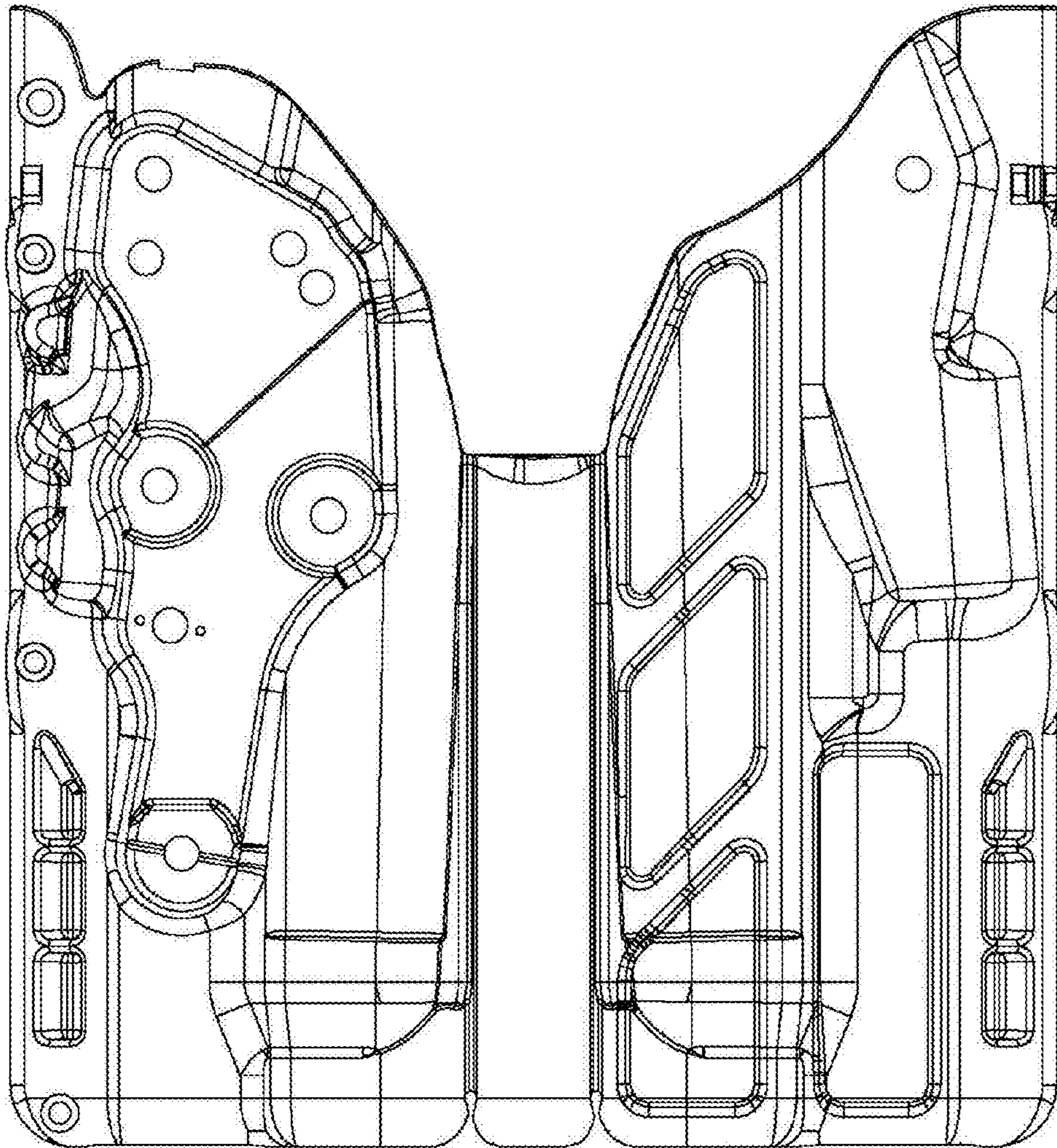


FIG. 5

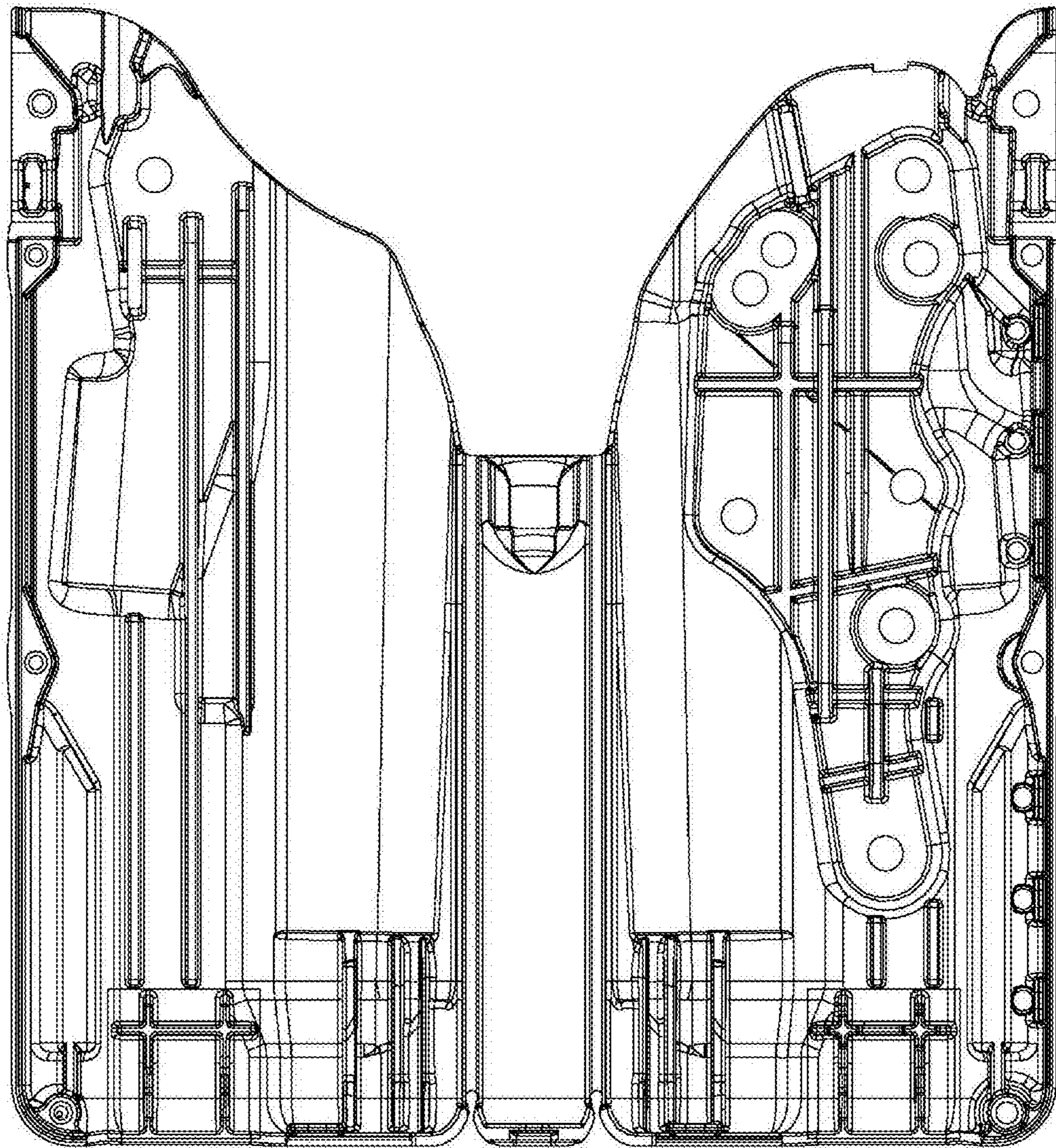


FIG. 6

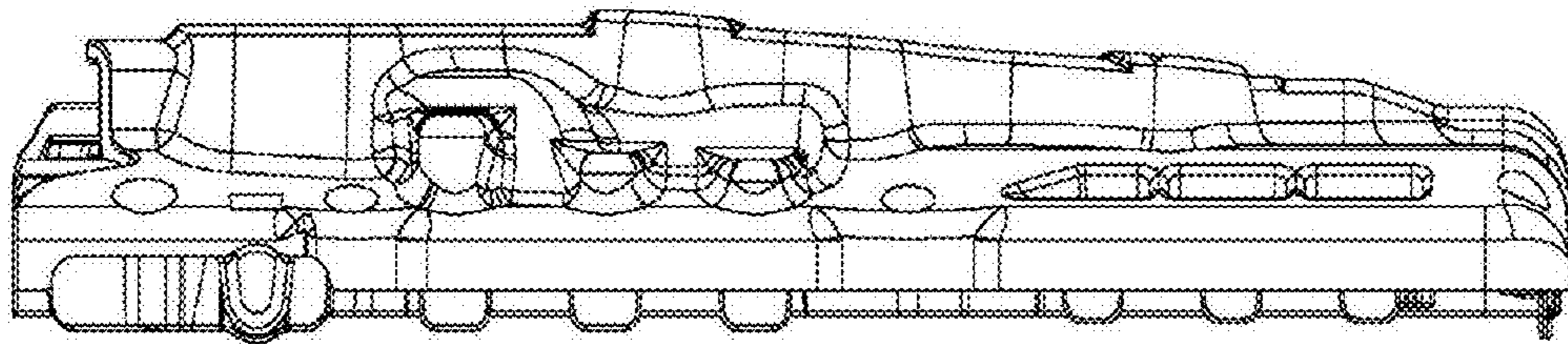


FIG. 7

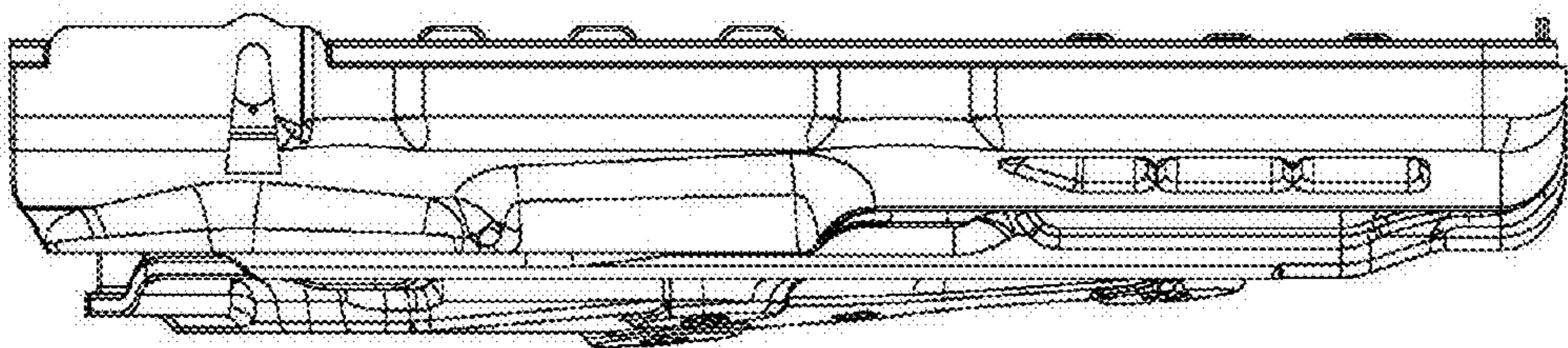


FIG. 8



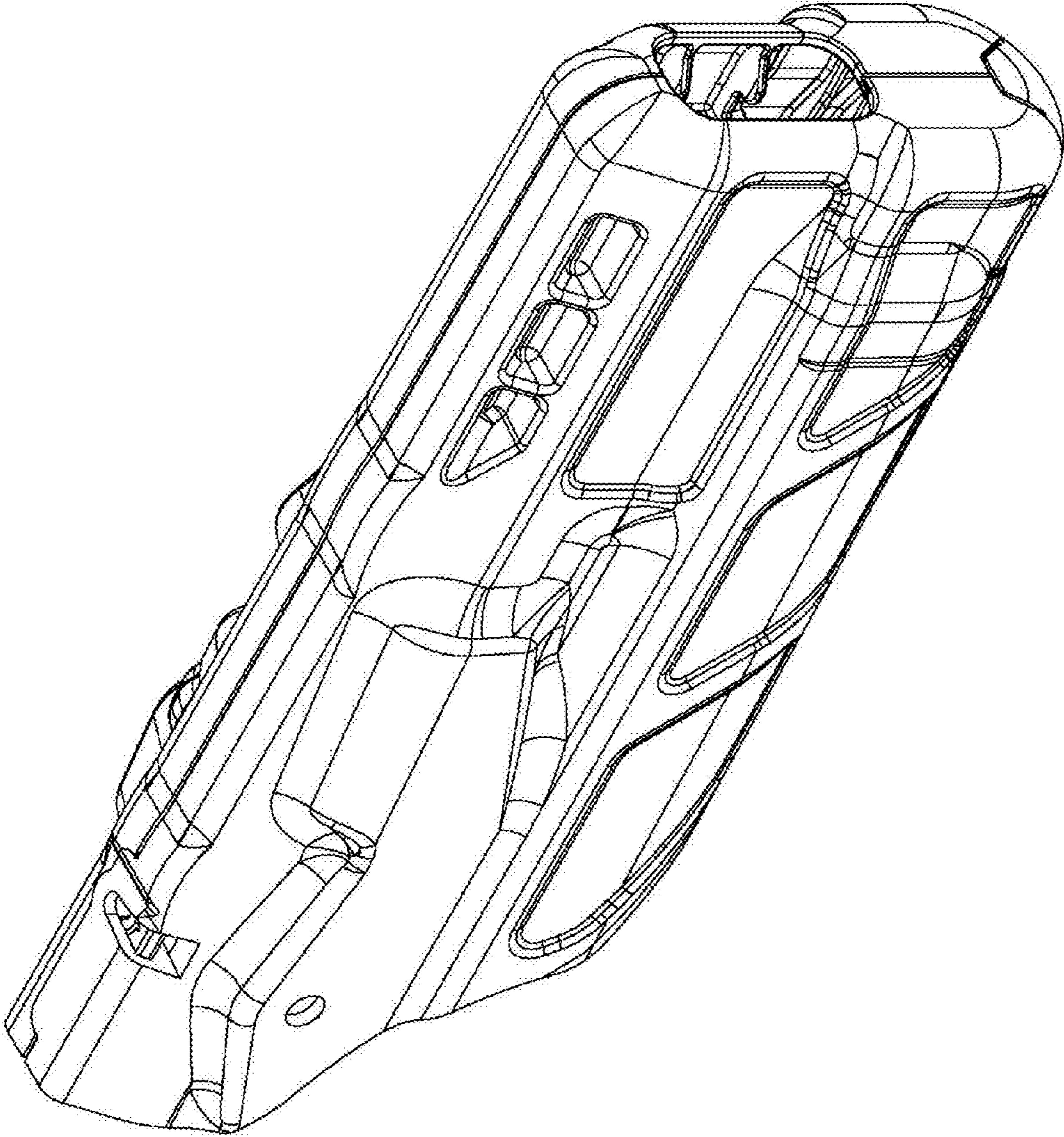


FIG. 9

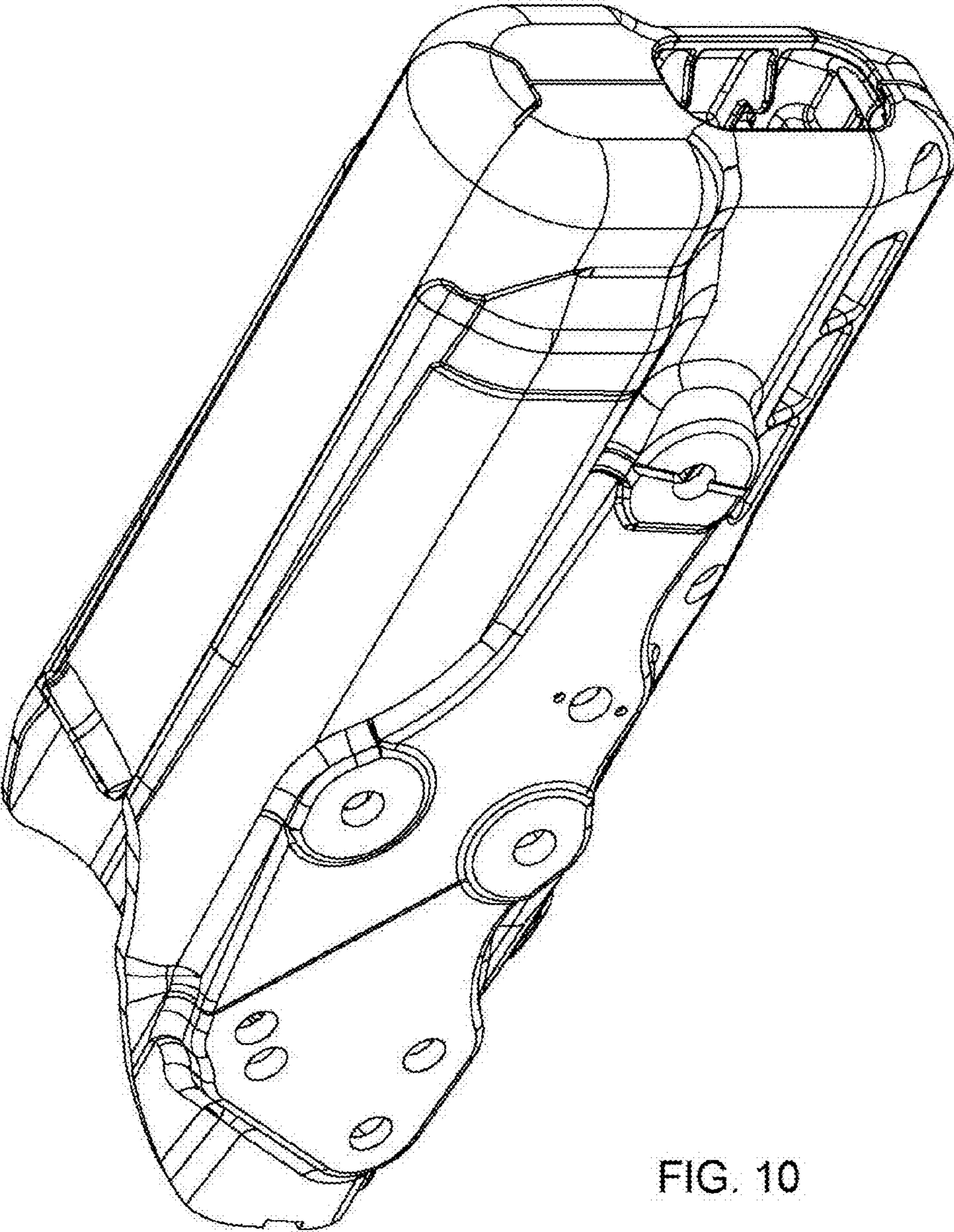


FIG. 10

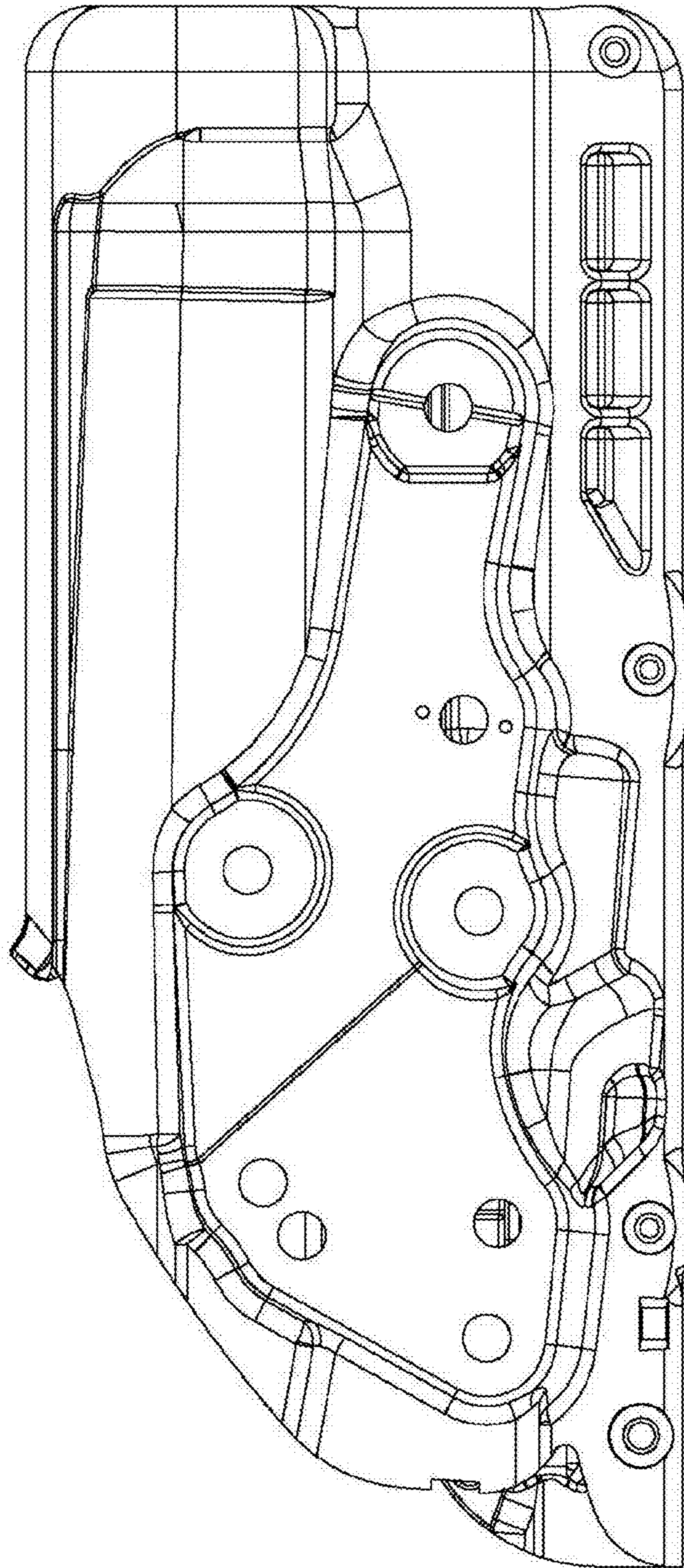


FIG. 11

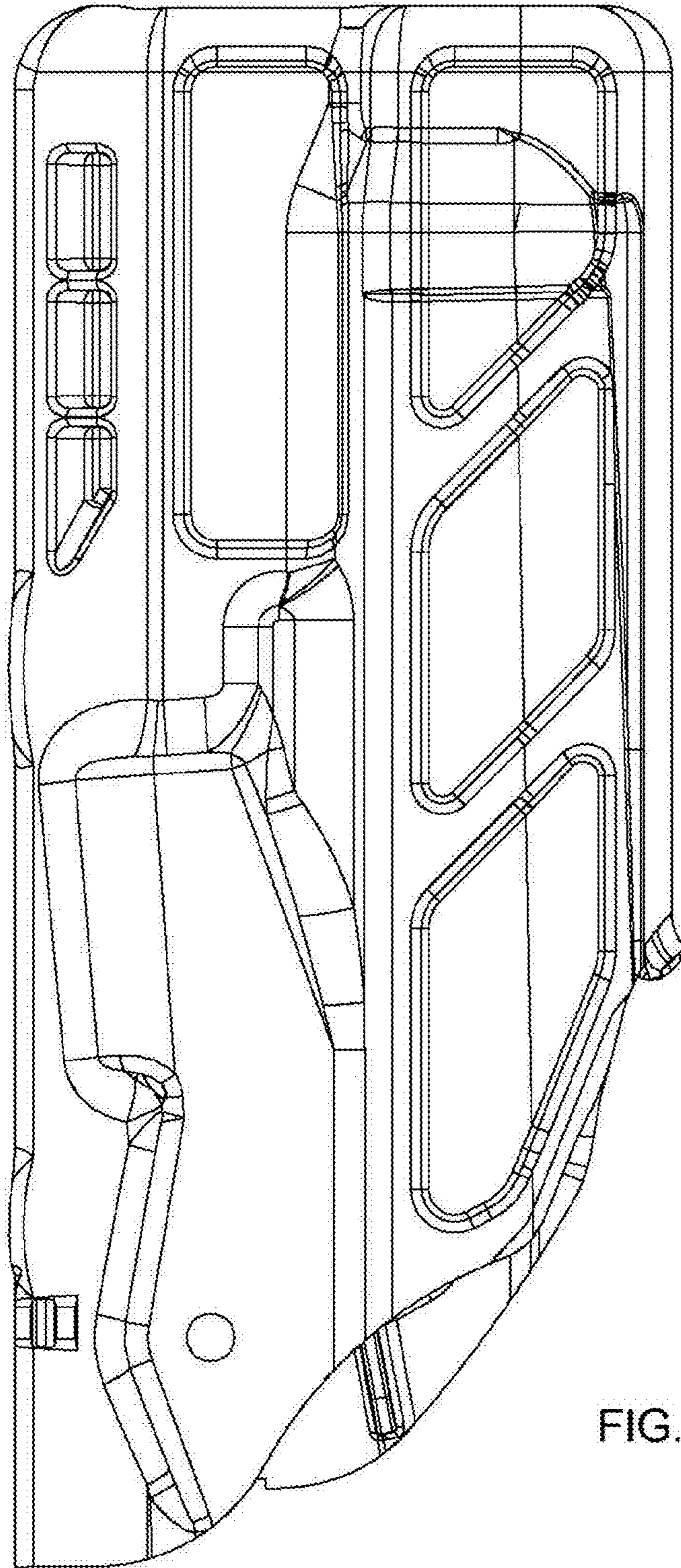


FIG. 12

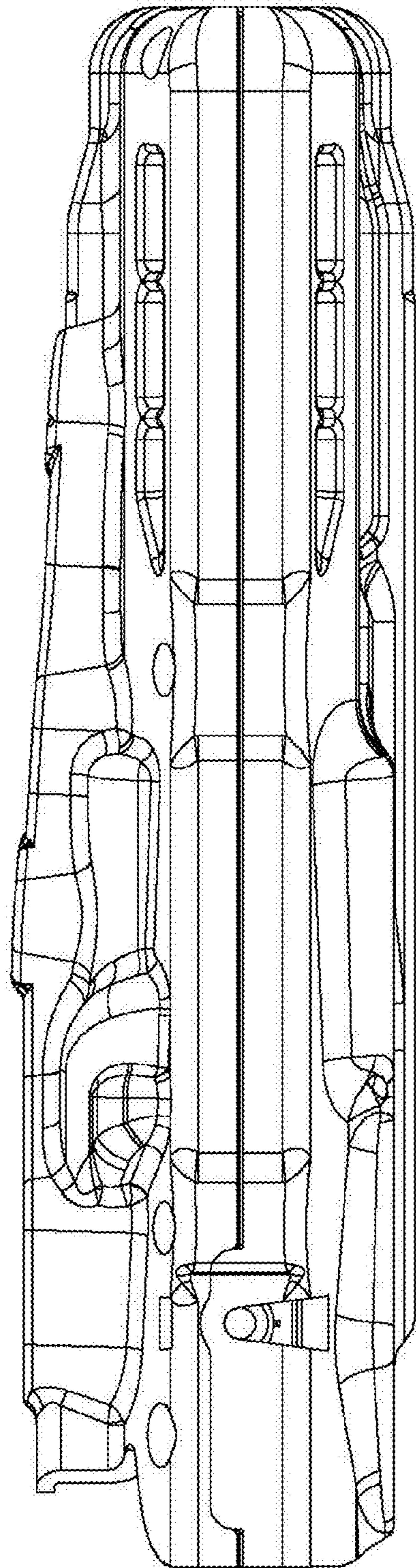


FIG. 13

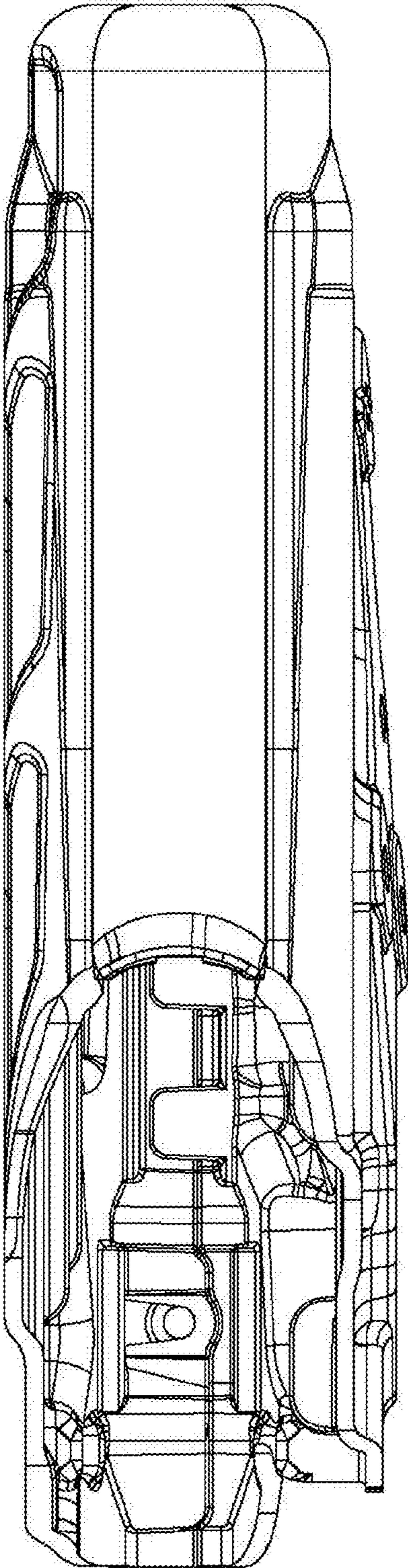


FIG. 14

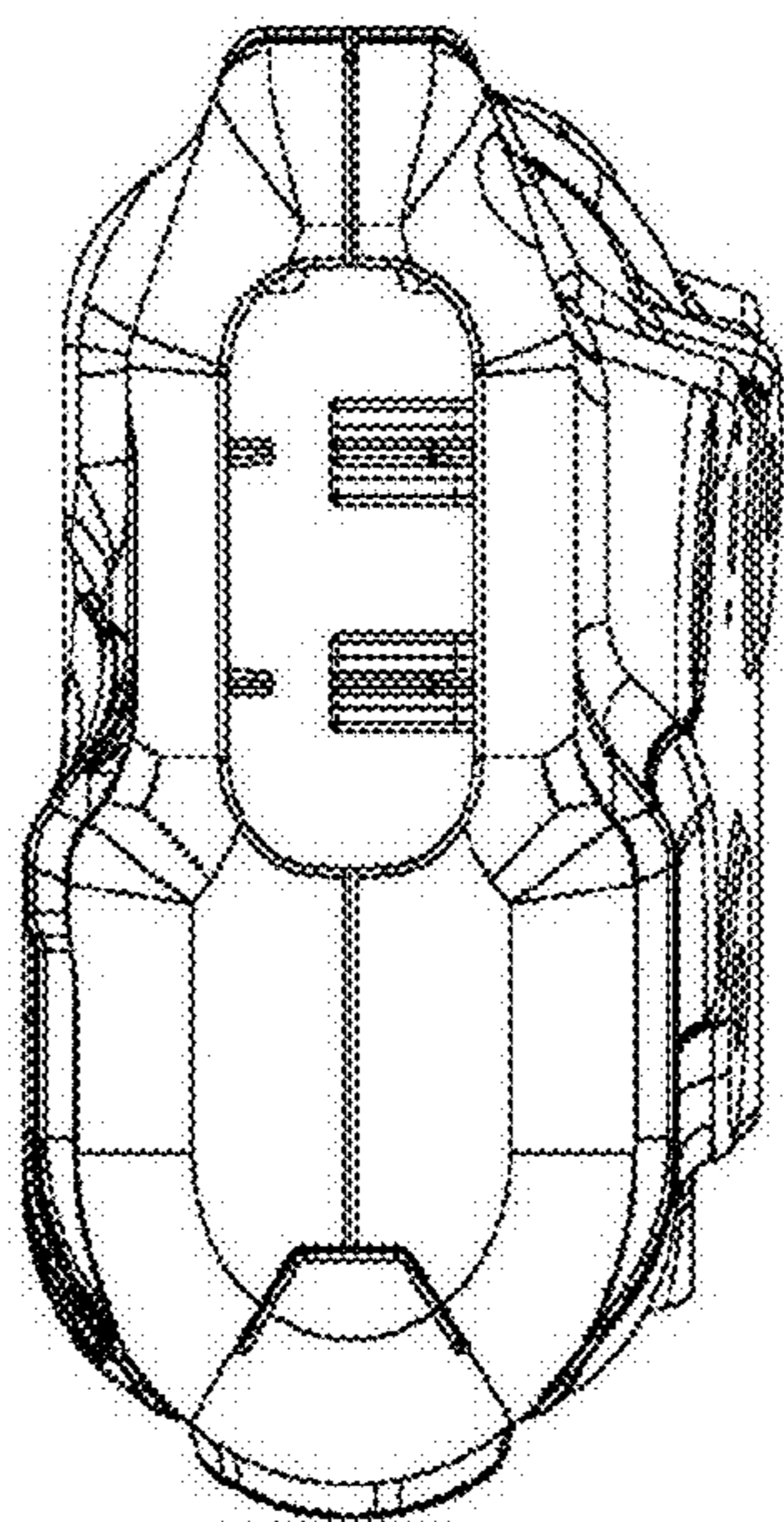


FIG. 15

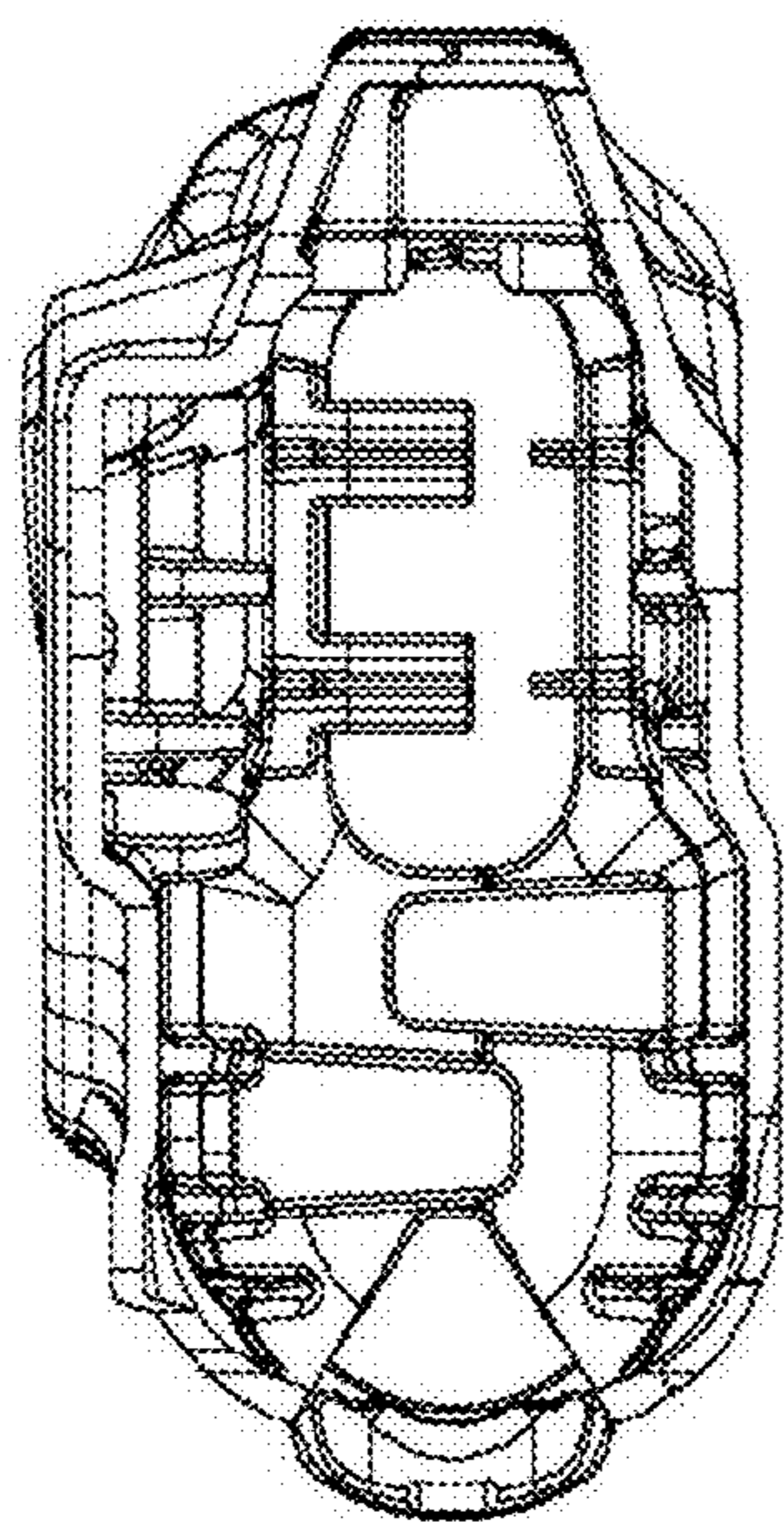


FIG. 16