



US00D733396S

(12) **United States Design Patent**  
**Waters**

(10) **Patent No.:** **US D733,396 S**  
(45) **Date of Patent:** **\*\* Jul. 7, 2015**

(54) **UNDERGARMENT WITH A REAR POCKET**

(71) Applicant: **Melvin Waters**, Deptford, NJ (US)

(72) Inventor: **Melvin Waters**, Deptford, NJ (US)

(\*\*) Term: **14 Years**

(21) Appl. No.: **29/457,496**

(22) Filed: **Jun. 10, 2013**

(51) **LOC (10) Cl.** ..... **02-01**

(52) **U.S. Cl.**  
USPC ..... **D2/716**

(58) **Field of Classification Search**

USPC ..... D2/101.5, 700, 701, 705, 711, 712, 713,  
D2/716, 731, 736, 737, 738, 743, 853,  
D2/857; D24/105, 122, 124, 125, 126,  
D24/127, 128; 2/67, 73, 75, 76, 78.1, 78.2,  
2/78.3, 109, 247, 336, 400, 402, 403,  
2/405, 406, 407, 408, 466; 602/67, 68,  
602/70, 73; 623/66.1; D29/101.5; 600/38,  
600/41

CPC ..... A41B 1/04; A41B 1/06; A41B 9/023;  
A41B 9/02; A41B 9/026; A41B 9/04; A41B  
9/002; A41B 9/001; A41B 9/004; A41B  
9/005; A41B 9/007; A41B 9/008; A41B 9/12;  
A41B 2300/33; A61F 13/496; A61F 13/15;  
A41D 27/201

See application file for complete search history.

(56) **References Cited**

**U.S. PATENT DOCUMENTS**

2,102,323 A \* 12/1937 Kneibler ..... 602/67  
4,067,068 A \* 1/1978 Bregstein et al. .... 2/406  
D375,611 S \* 11/1996 Cannon ..... D2/857  
D382,386 S \* 8/1997 Malone ..... D2/738  
D387,538 S \* 12/1997 Taylor et al. .... D2/716  
5,819,323 A \* 10/1998 Edenfield ..... 2/466  
6,018,823 A \* 2/2000 Ortmeier ..... 2/406  
6,041,445 A \* 3/2000 Davitt ..... 2/400

D431,649 S \* 10/2000 Hunsucker ..... D24/126  
D530,884 S \* 10/2006 Johnson-Smith ..... D2/712  
D626,220 S \* 10/2010 Oranday ..... D24/126  
D649,330 S \* 11/2011 Trahin et al. .... D2/713  
D661,871 S \* 6/2012 Savage ..... D2/742  
8,321,964 B2 \* 12/2012 Gernes ..... 2/400

**OTHER PUBLICATIONS**

Ruez Performance Underwear [online]. Ruez [retrieved on Aug. 27, 2014]. Retrieved from the Internet: <<http://www.ruezunderwear.com/info/ruez-underwear-named-quot-best-in-new-running-product-quot>>.\*

\* cited by examiner

*Primary Examiner* — Celia Murphy

*Assistant Examiner* — Jennifer L Rempfer

(74) *Attorney, Agent, or Firm* — QuickPatents; Kevin Prince

(57) **CLAIM**

I claim the ornamental design for an undergarment with a rear pocket, as shown and described.

**DESCRIPTION**

FIG. 1 is a top perspective view of an undergarment with a rear pocket, showing my new design with a pocket in a closed position;

FIG. 2 is a front elevational view of FIG. 1;

FIG. 3 is a rear elevational view of FIG. 1;

FIG. 4 is a left-side elevational view of FIG. 1, the right-side elevational view being a mirror image thereof;

FIG. 5 is a top plan view of FIG. 1;

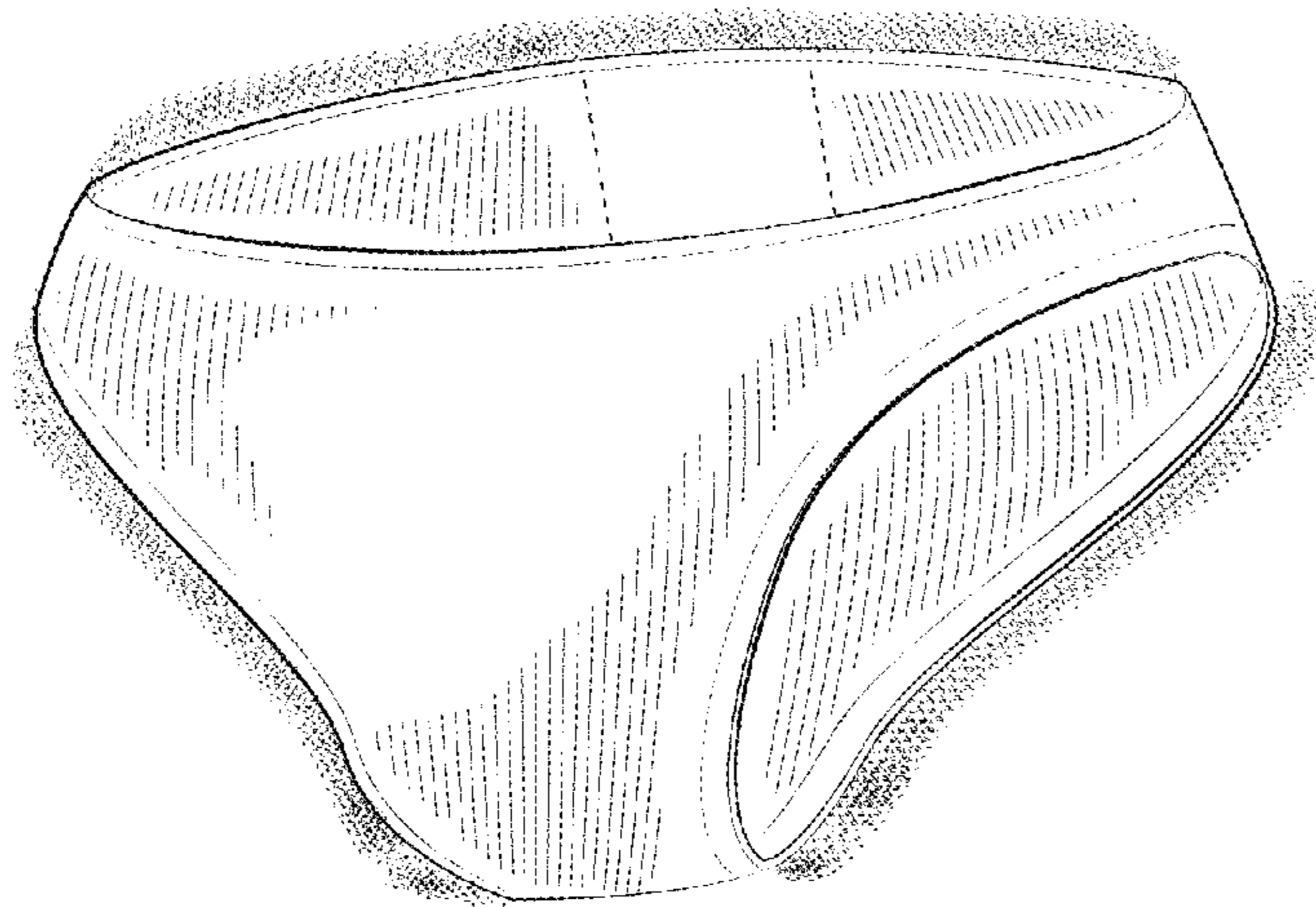
FIG. 6 is a bottom plan view of FIG. 1;

FIG. 7 is a bottom perspective view of FIG. 1; and,

FIG. 8 is a bottom perspective view thereof, illustrated with the pocket in an open position.

The broken lines showing a lace border and an inside patch in FIG. 1, and a condom package in FIG. 8, depict environmental matter and form no part of the claimed design. The broken lines in FIGS. 3, 5 and 7 represent stitching.

**1 Claim, 3 Drawing Sheets**



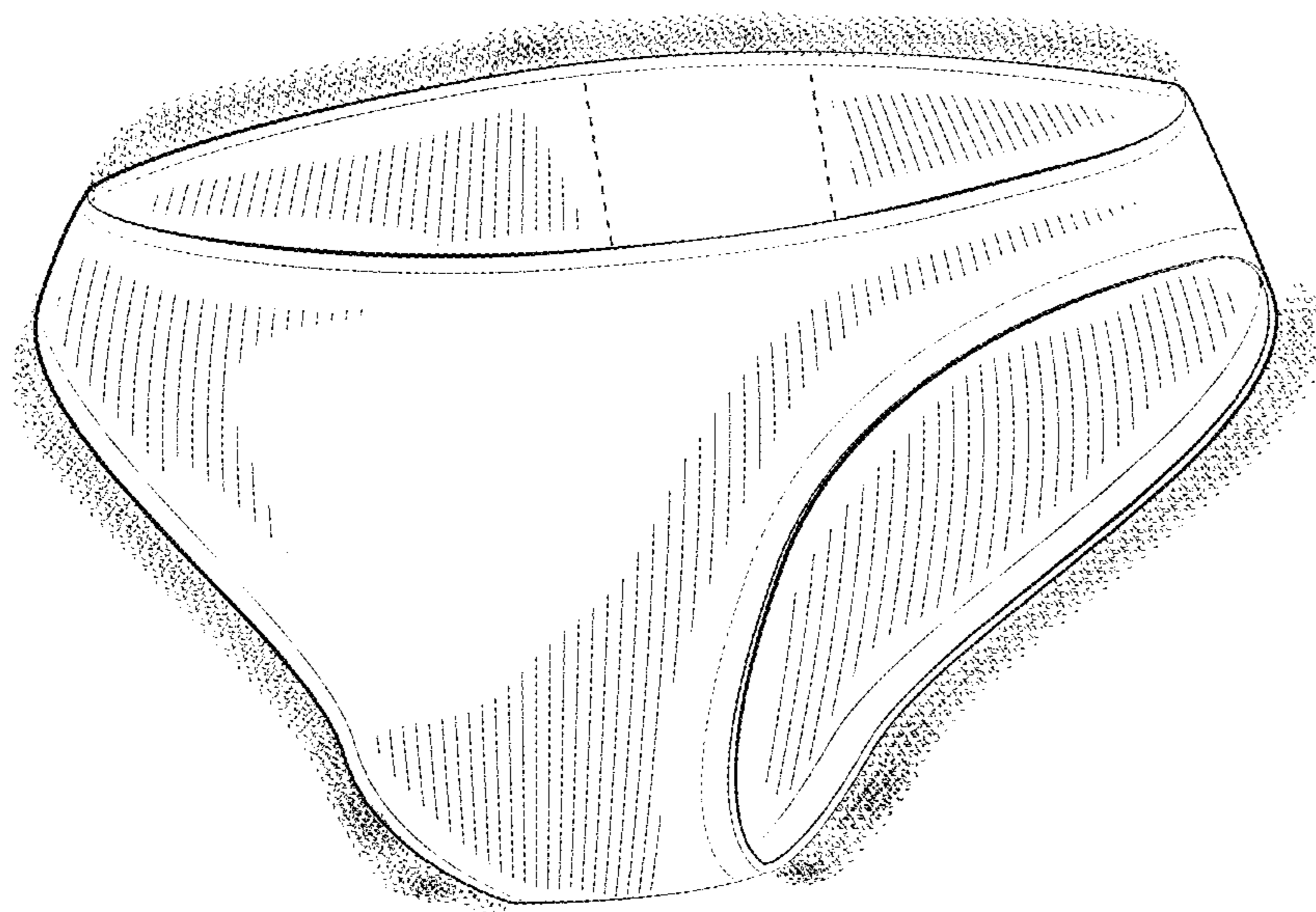


FIG. 1

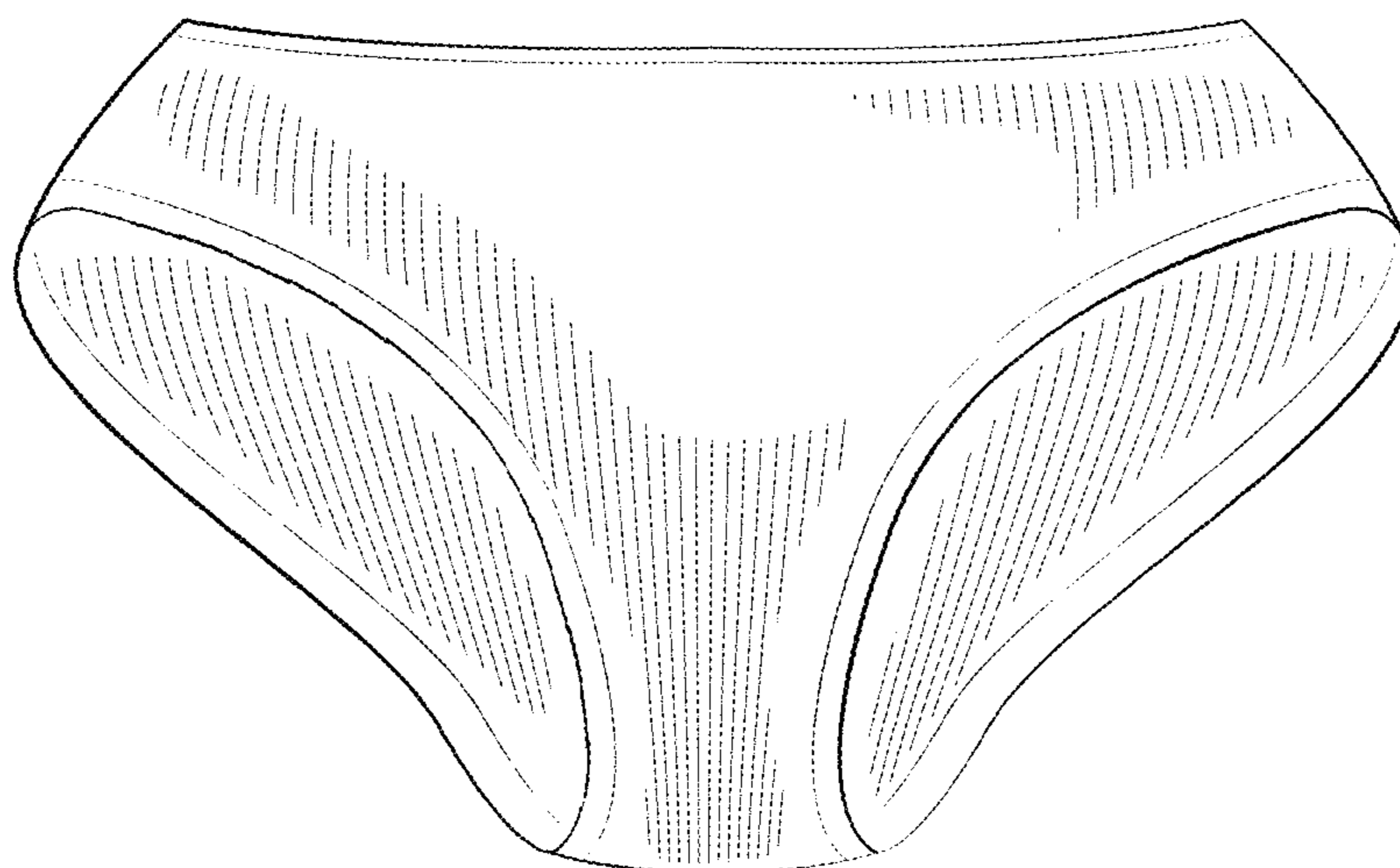


FIG. 2

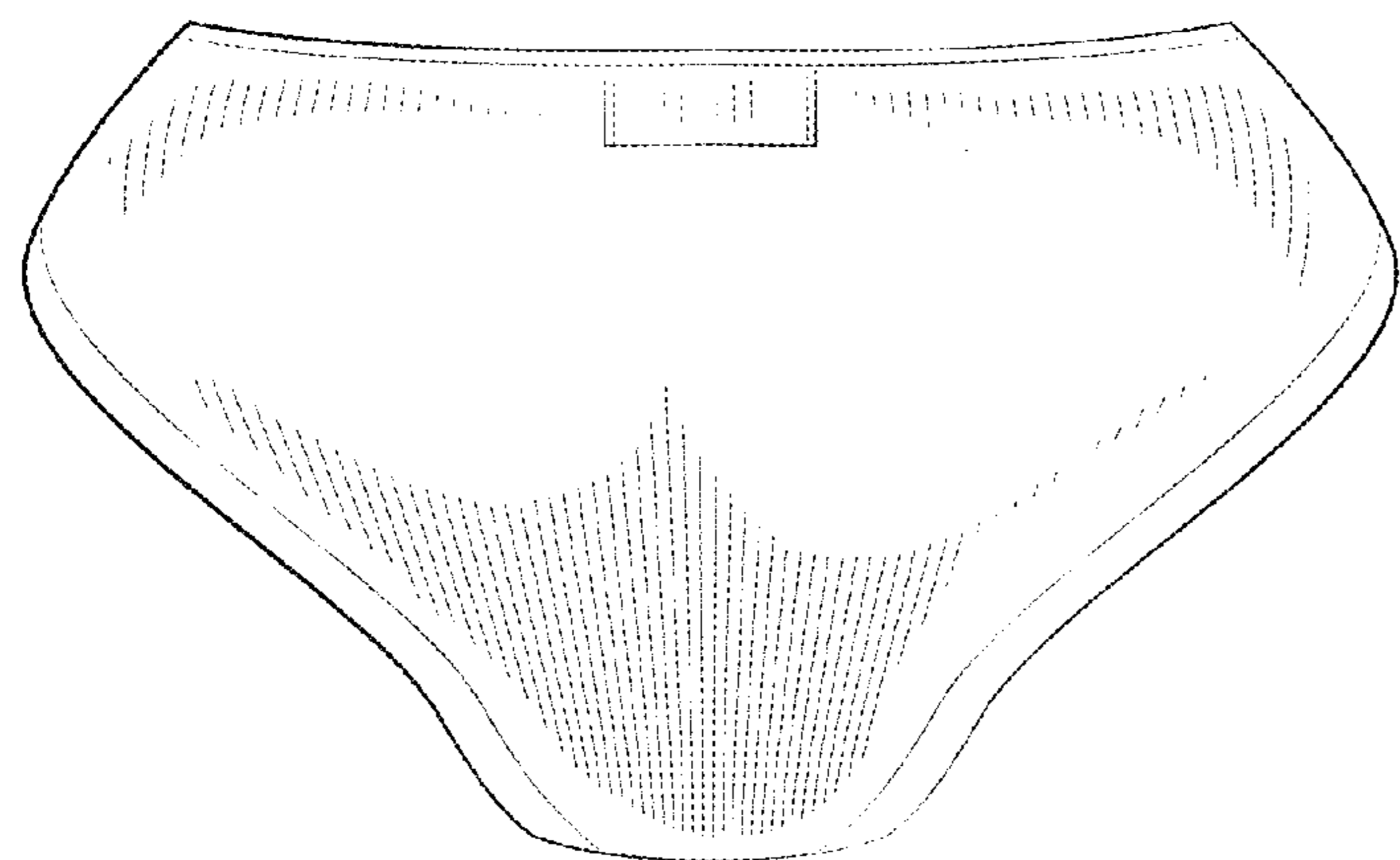


FIG. 3

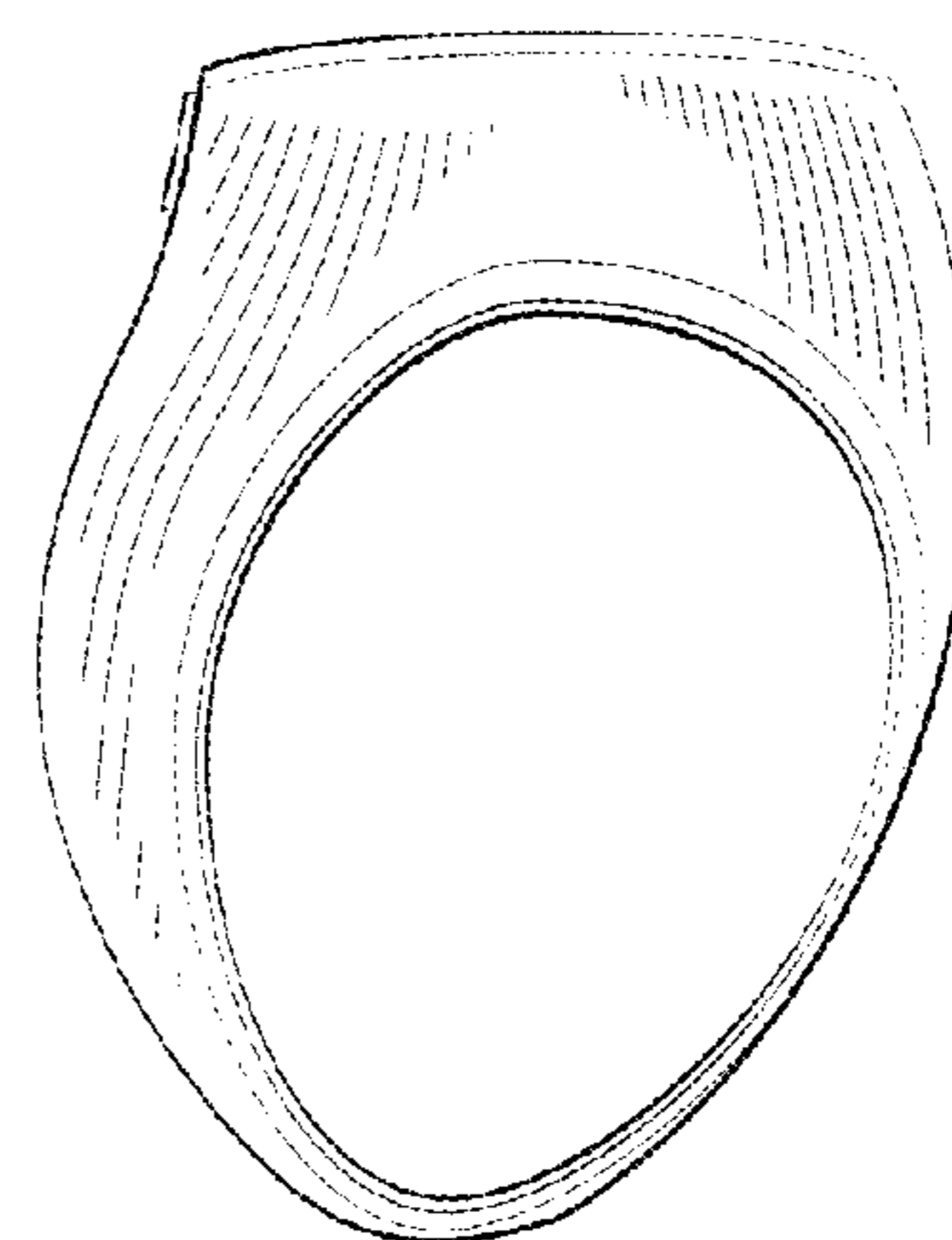


FIG. 4

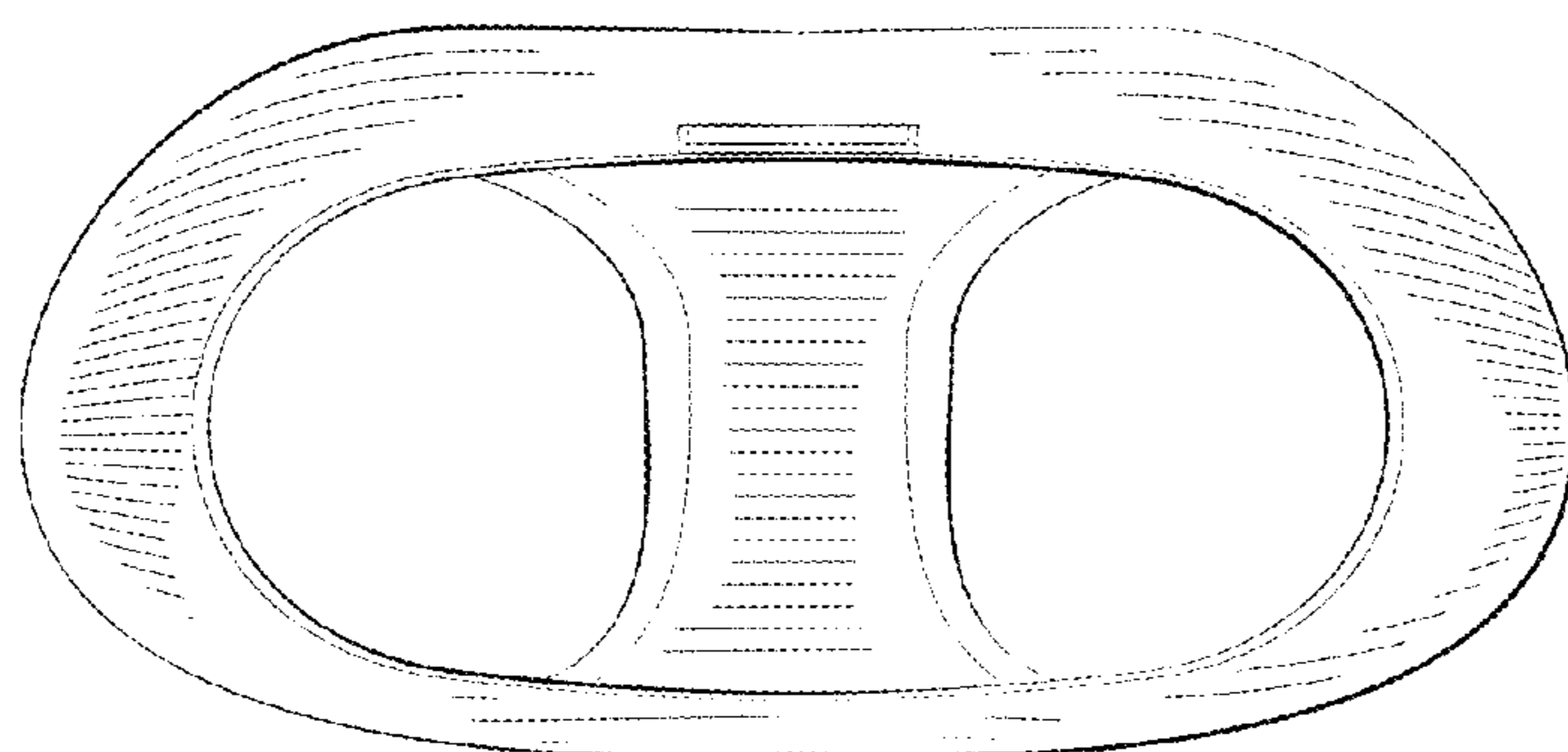


FIG. 5

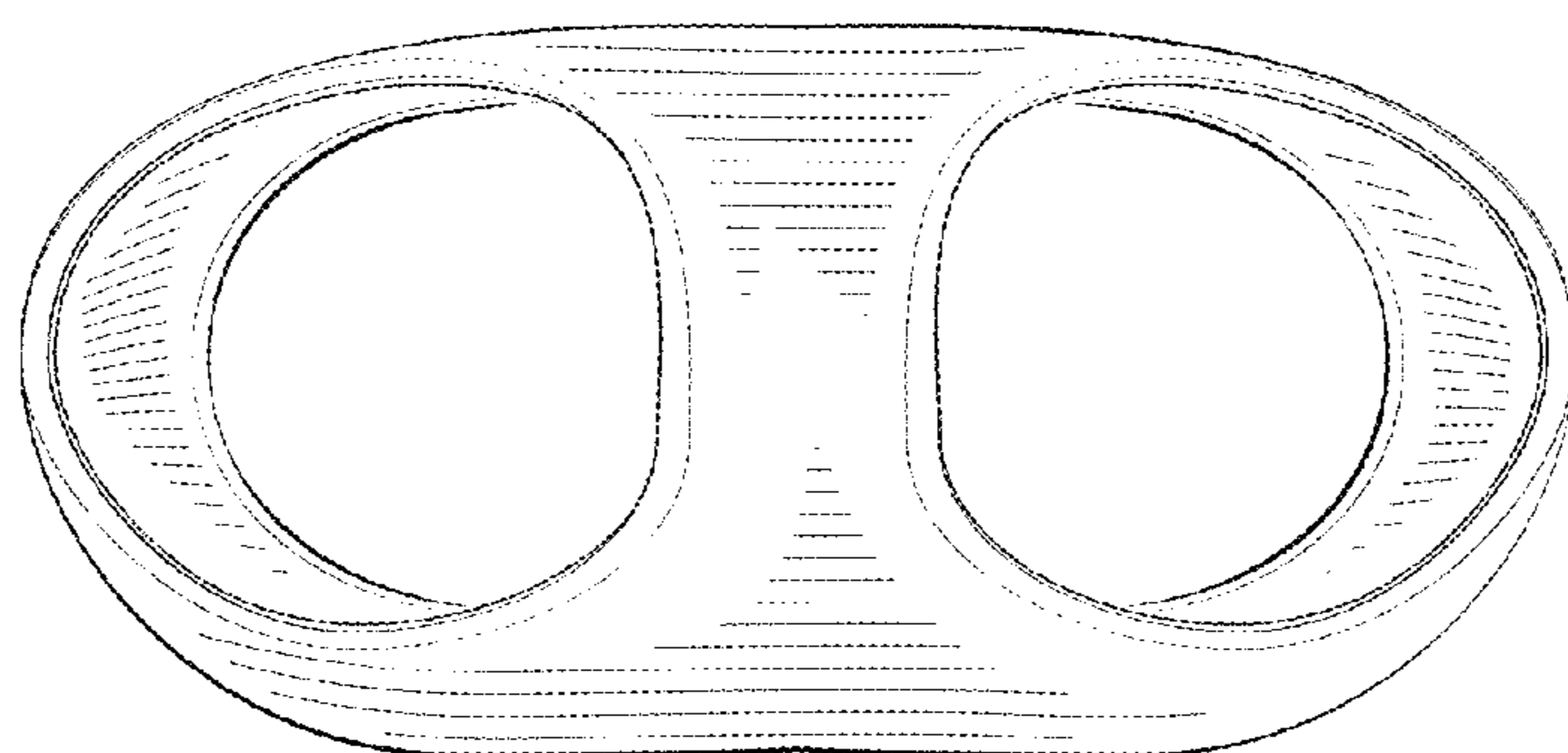


FIG. 6



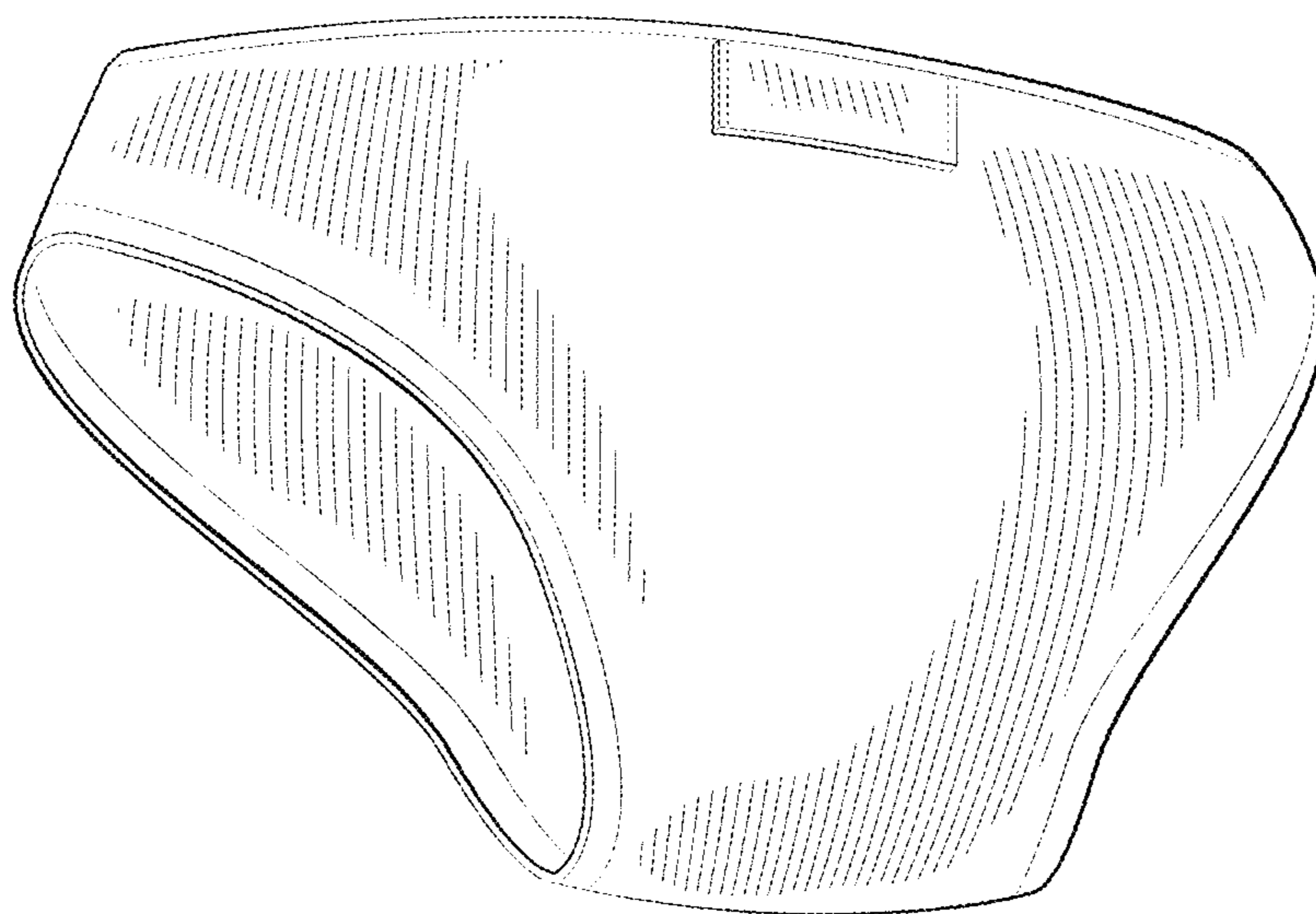


FIG. 7

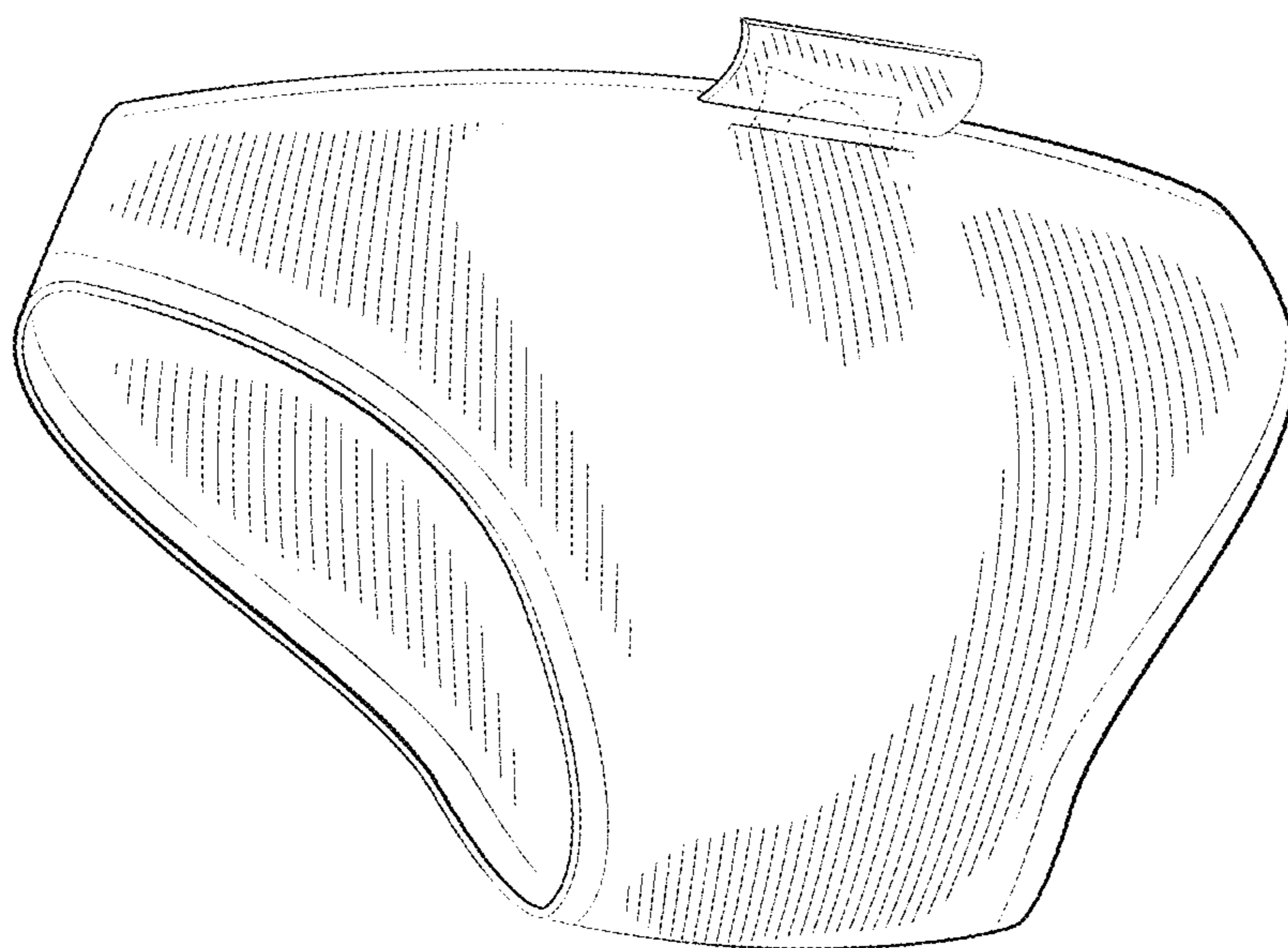


FIG. 8