



US00D733392S

(12) **United States Design Patent**
Link et al.

(10) **Patent No.:** **US D733,392 S**
(45) **Date of Patent:** **** Jul. 7, 2015**

(54) **COMBINATION BOOT JACK, BOOT TRAY
AND BOOT RACK**

(71) Applicants: **Jeffrey S. Link**, Verona, VA (US); **Paula
O. Link**, Verona, VA (US)

(72) Inventors: **Jeffrey S. Link**, Verona, VA (US); **Paula
O. Link**, Verona, VA (US)

(**) Term: **14 Years**

(21) Appl. No.: **29/463,999**

(22) Filed: **Apr. 24, 2014**

(51) **LOC (10) Cl.** **07-99**

(52) **U.S. Cl.**
USPC **D2/642**

(58) **Field of Classification Search**
USPC D2/624, 629, 633-635, 638 M, 639,
D2/641-643, 853, 858, 946, 976, 978, 979,
D2/999; D3/215, 217, 318; D11/200, 212;
12/120.5; 223/111, 113-117, 120, 641,
223/642; 297/423.41
CPC ... A47G 25/80; A43B 5/0425; A43D 3/1425;
A47C 16/025; A47C 9/002
See application file for complete search history.

(56) **References Cited**

U.S. PATENT DOCUMENTS

48,122	A *	6/1865	Wheeler	223/116
582,484	A *	5/1897	Pendergast	223/114
3,964,117	A	6/1976	Fox	
4,135,652	A	1/1979	Patton	
D277,997	S *	3/1985	Horner	D2/642
4,667,861	A *	5/1987	Harrington et al.	223/113
4,907,311	A *	3/1990	Scott	12/120.5
5,086,959	A	2/1992	Jerry et al.	
5,121,861	A *	6/1992	Wong	223/114

5,385,279	A	1/1995	Dawson	
5,516,015	A	5/1996	Berzins	
5,806,729	A *	9/1998	Ramon	223/115
6,132,002	A	10/2000	Brown	
D482,183	S *	11/2003	Hopping	D2/642
6,702,163	B1	3/2004	Hoppin	
D594,183	S *	6/2009	Sagedy	D2/642
2009/0236377	A1 *	9/2009	Selvarajah	223/115
2001/0101048		5/2011	Moore et al.	

OTHER PUBLICATIONS

The Organized Barn & Trailer. Boot Jack. 2008 [online], [site visited Nov. 14, 2014]. Available from Internet, <URL:http://organizedbarn.com/products.html>.*

* cited by examiner

Primary Examiner — Robert M Spear

Assistant Examiner — Darcey E Heflin

(74) *Attorney, Agent, or Firm* — Daniel L. Fitch

(57) **CLAIM**

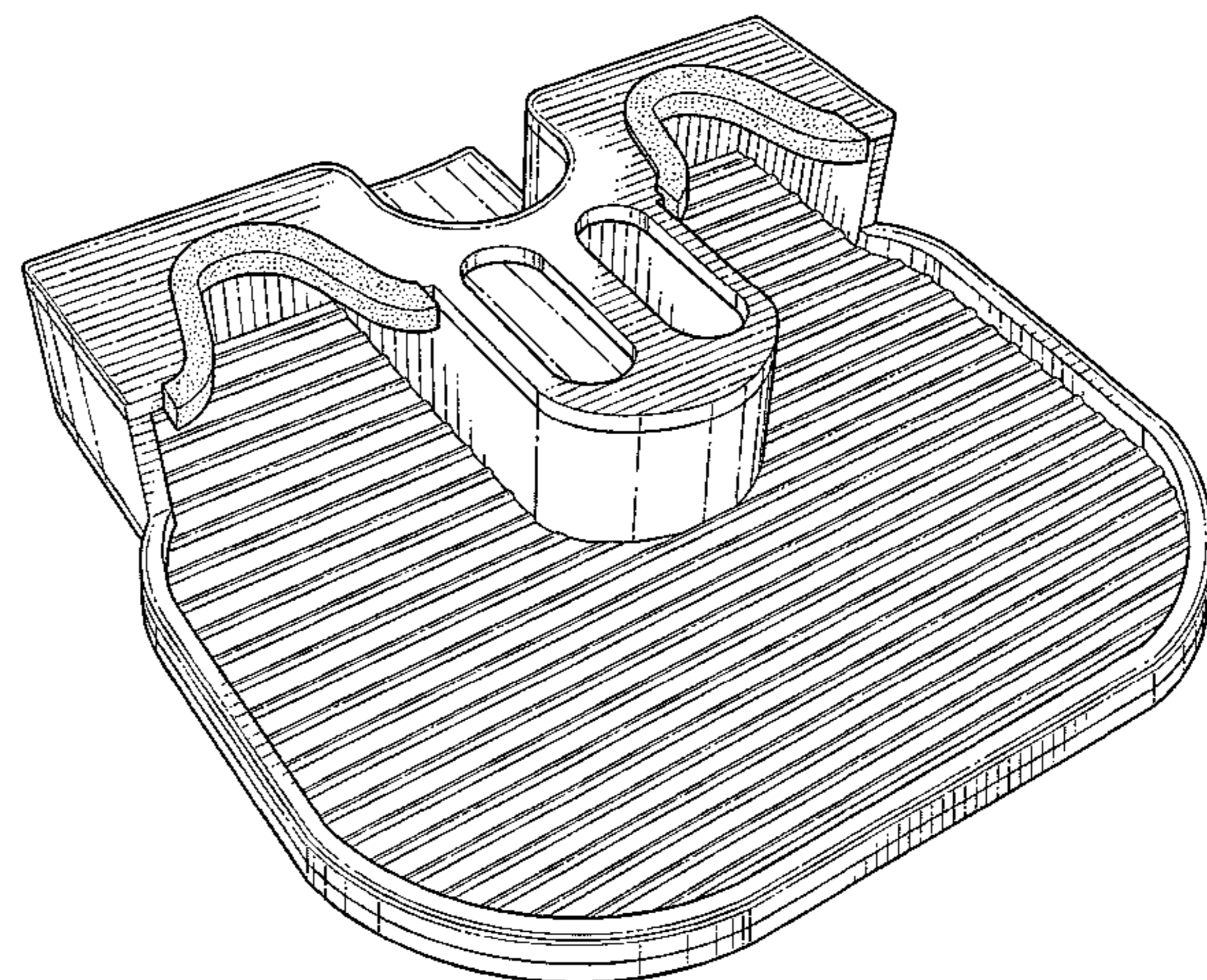
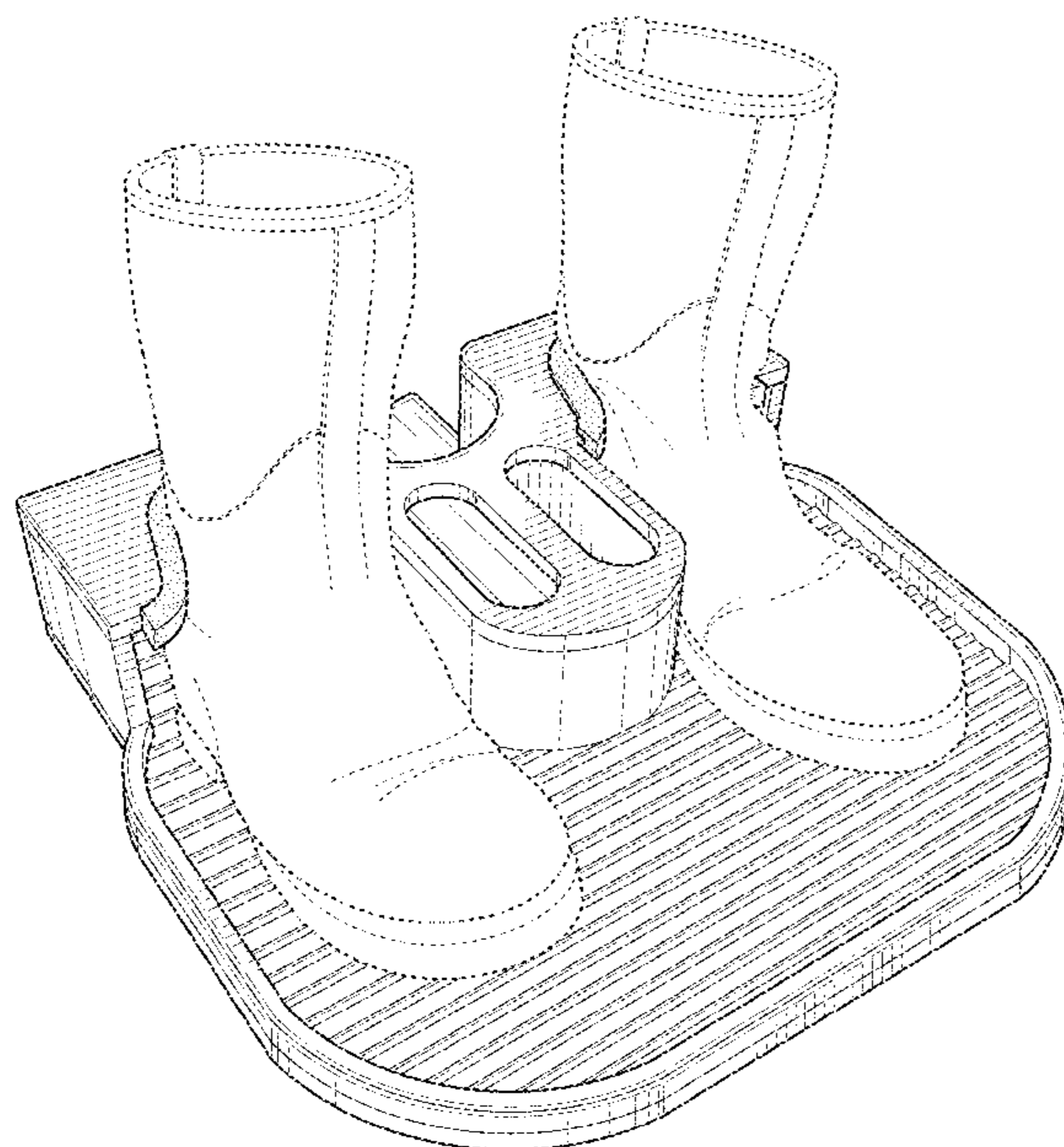
The ornamental design for a combination boot jack, boot tray and boot rack, as shown and described.

DESCRIPTION

FIG. 1 is a front perspective view showing the new design; FIG. 2 is a rear perspective view thereof; FIG. 3 is a top view thereof; FIG. 4 is a bottom view thereof; FIG. 5 is a rear view thereof; FIG. 6 is a front view thereof; FIG. 7 is a right side view thereof; FIG. 8 is a left side view thereof; and, FIG. 9 is a front perspective view thereof.

In the drawings, the broken lines depict a pair of boots and square pads, which form no part of the claim.

1 Claim, 7 Drawing Sheets



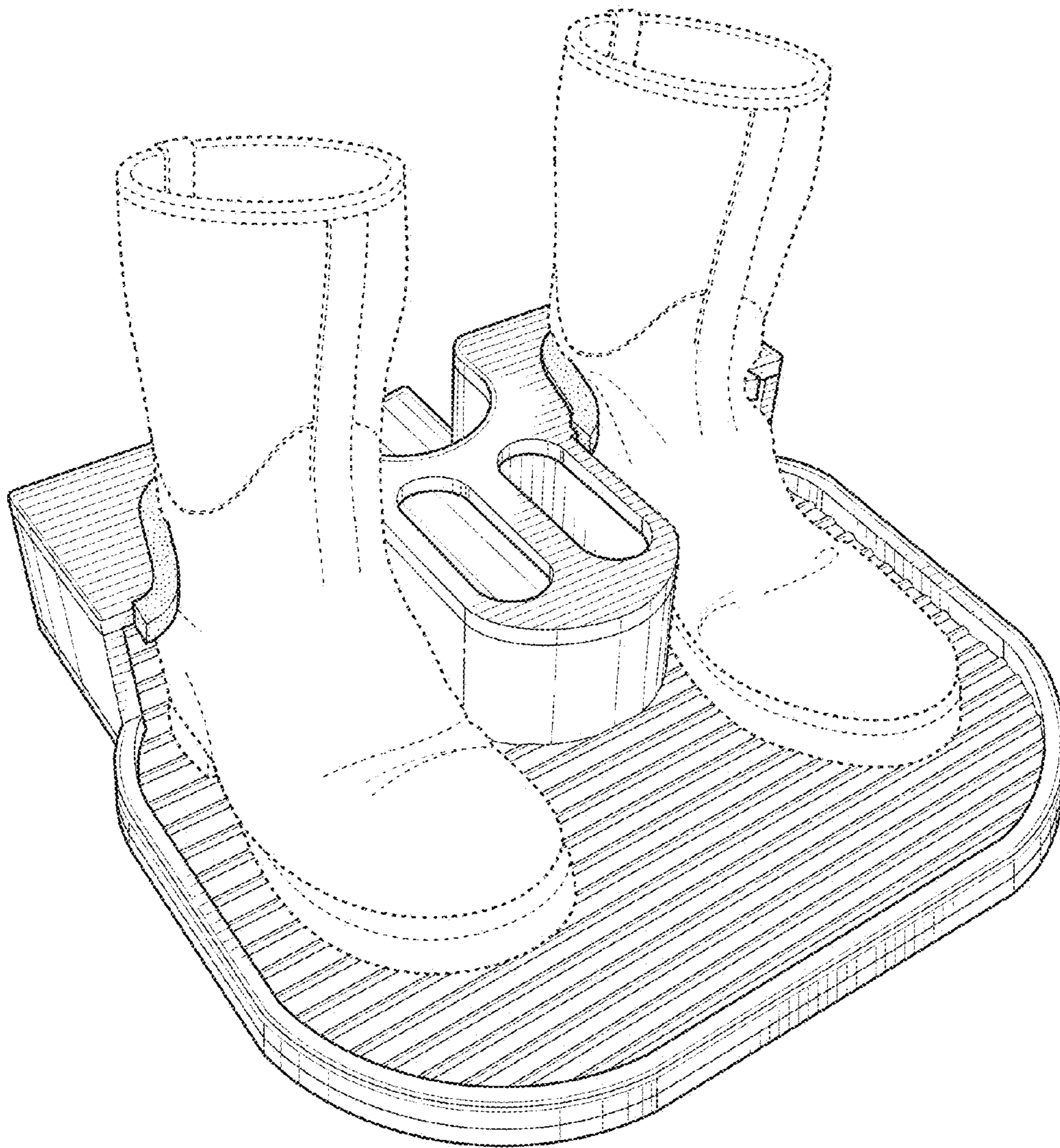


FIG. 1

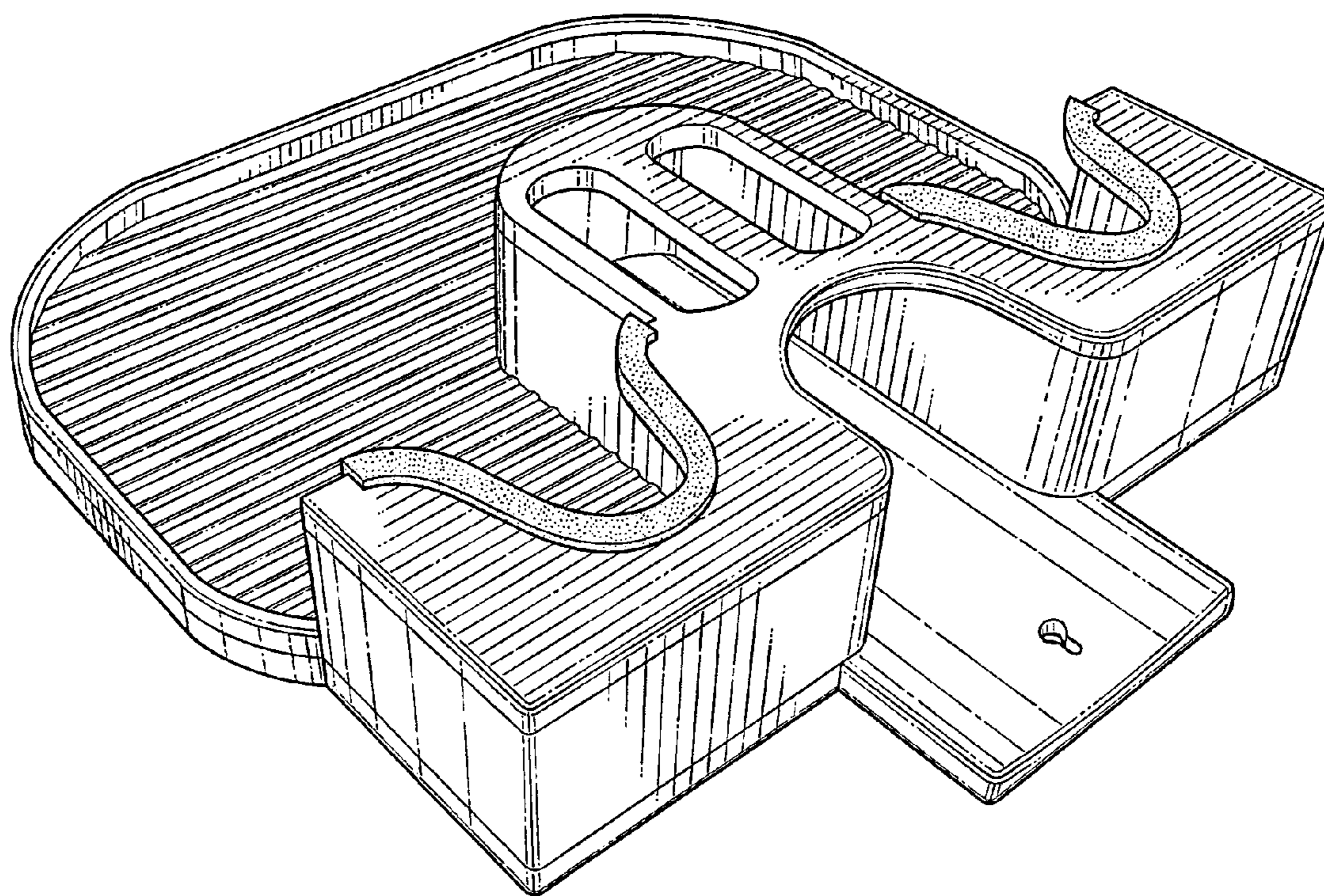


FIG. 2

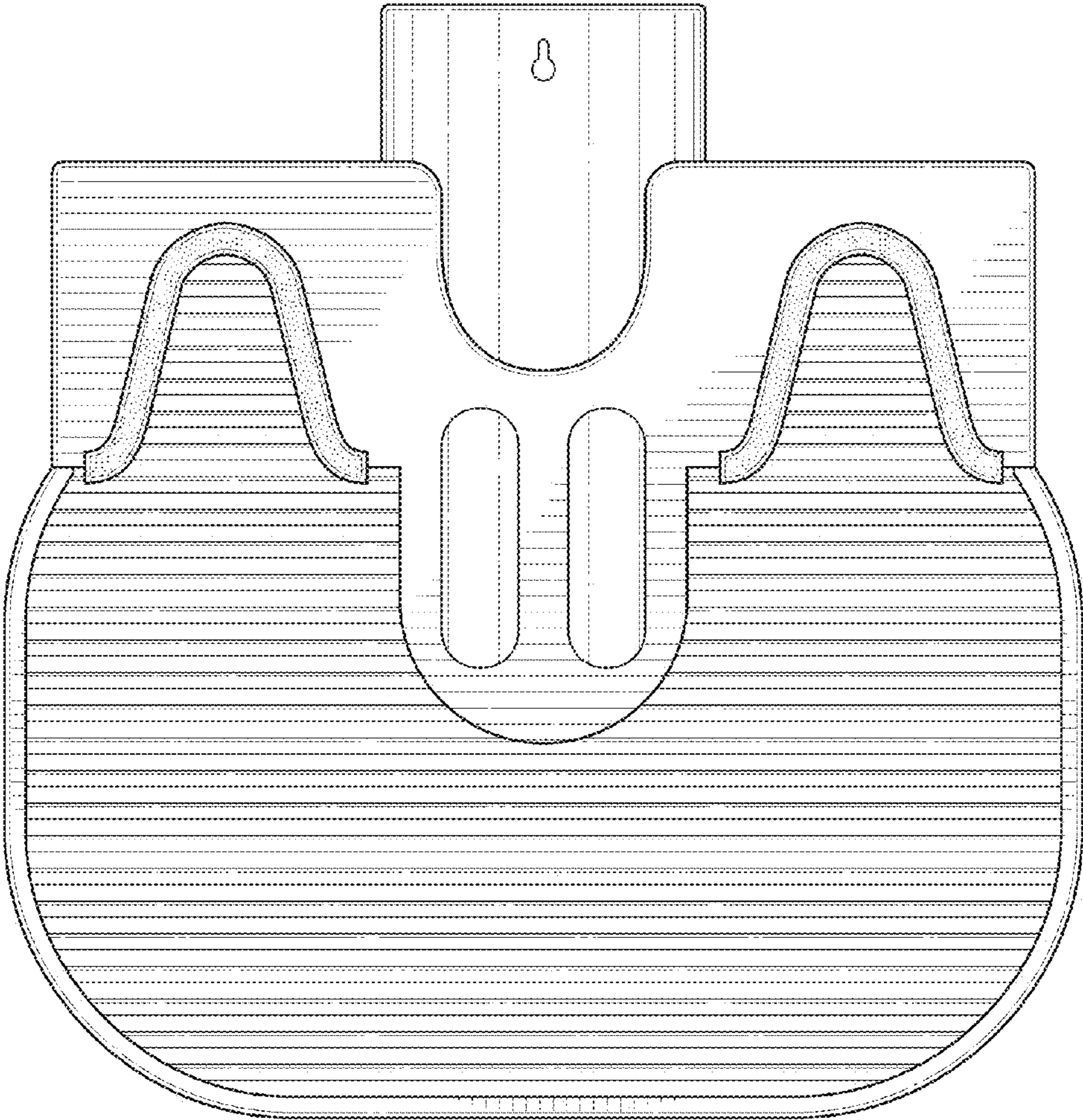


FIG. 3

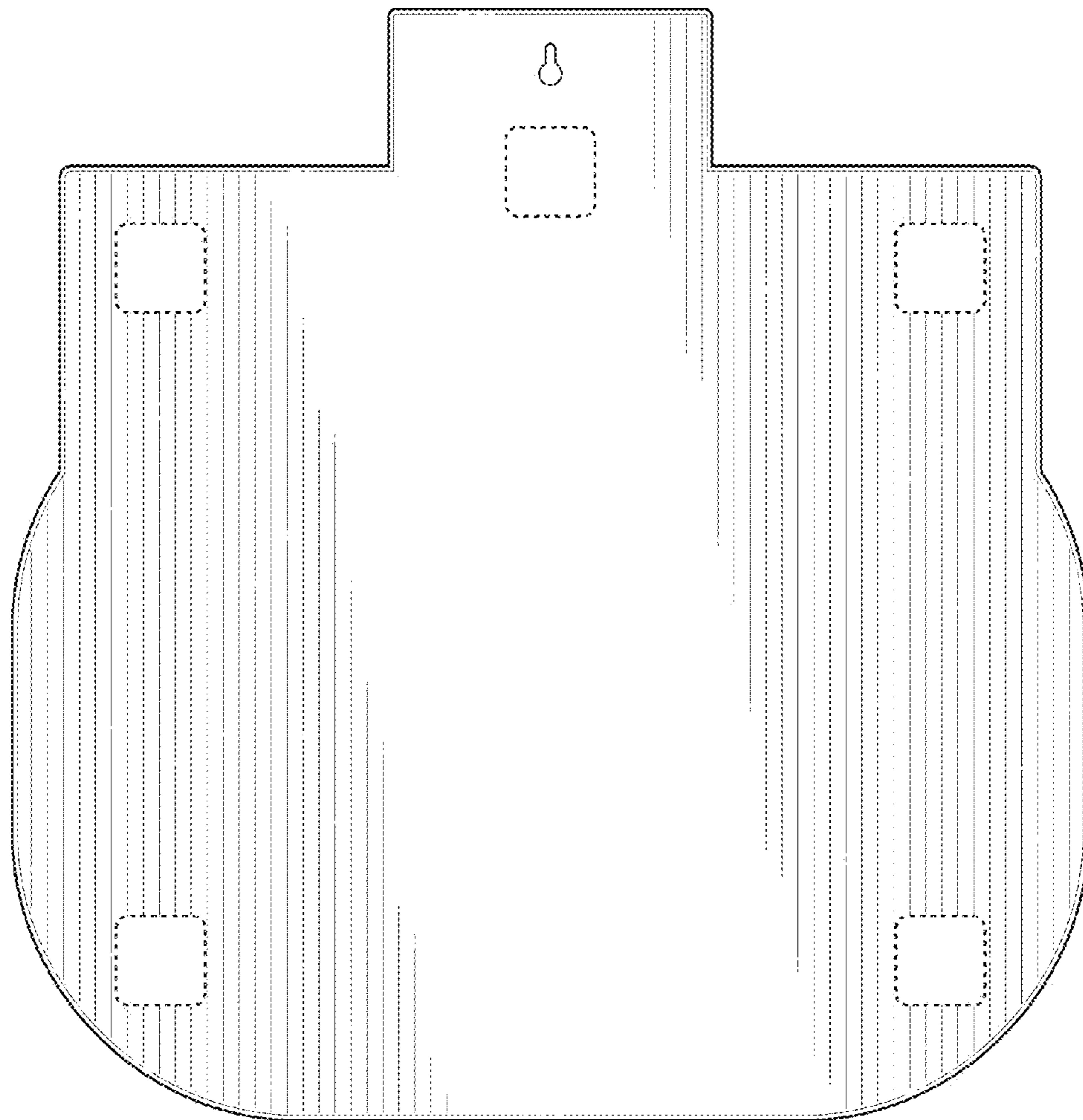


FIG. 4

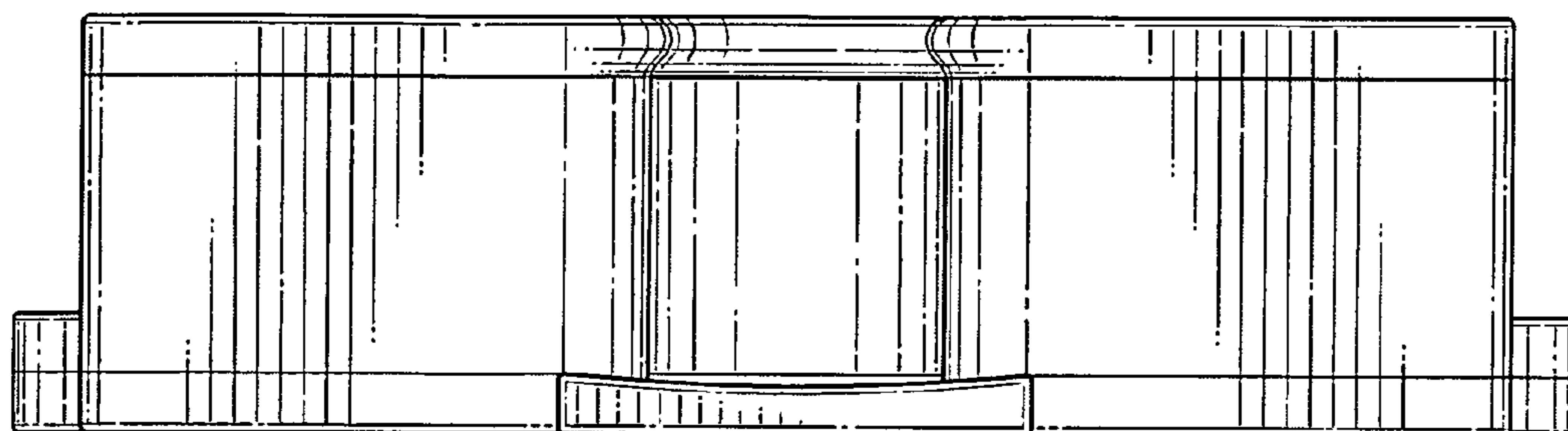


FIG. 5

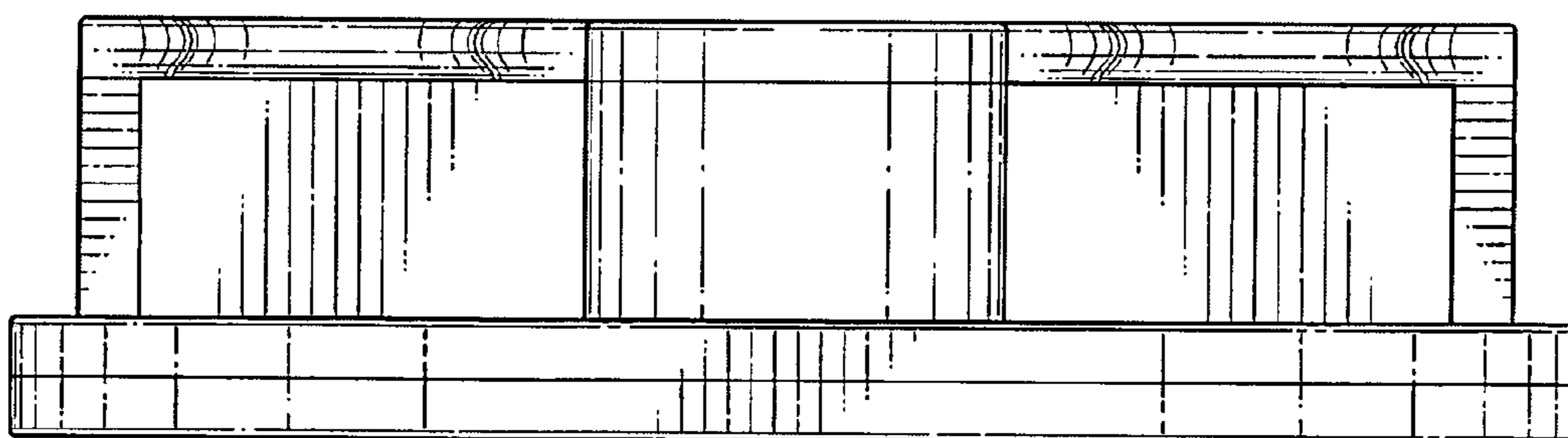


FIG. 6

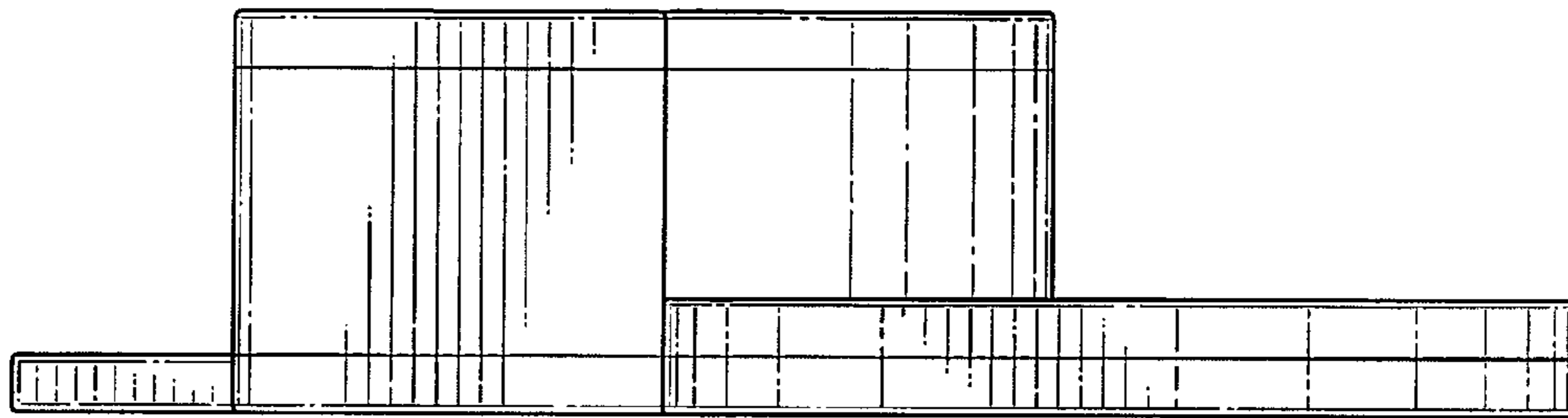


FIG. 7

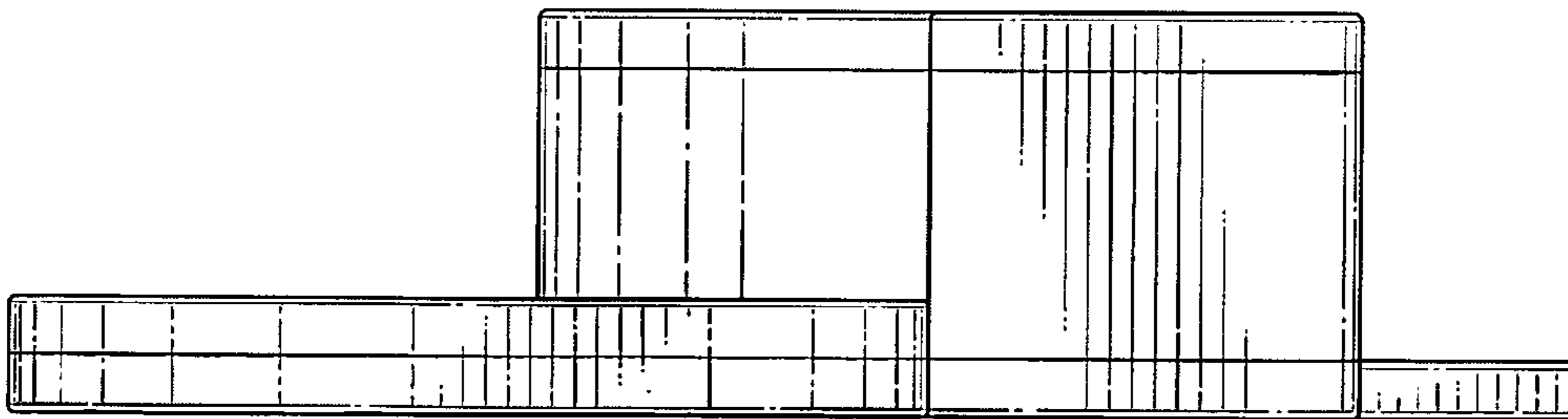


FIG. 8

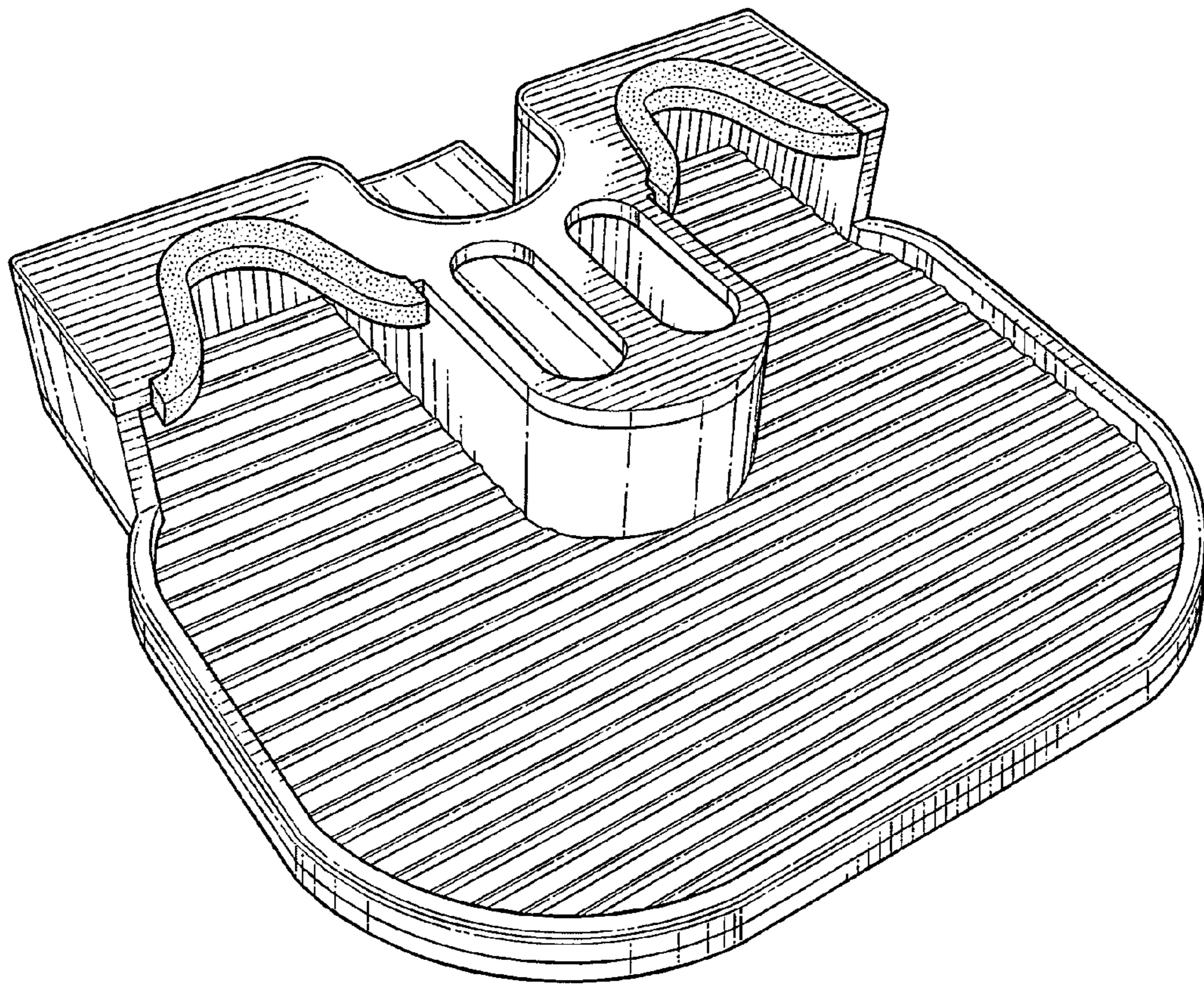


FIG. 9