



US00D733386S

(12) **United States Design Patent**  
**Della Polla**

(10) **Patent No.:** **US D733,386 S**  
(45) **Date of Patent:** **\*\* Jun. 30, 2015**

(54) **UTILITY DOLLY**

(71) Applicant: **Michael Della Polla**, Kennesaw, GA  
(US)

(72) Inventor: **Michael Della Polla**, Kennesaw, GA  
(US)

(\*\*) Term: **14 Years**

(21) Appl. No.: **29/442,768**

(22) Filed: **May 13, 2013**

(51) **LOC (10) Cl.** ..... **12-02**

(52) **U.S. Cl.**  
USPC ..... **D34/23**

(58) **Field of Classification Search**  
USPC ..... D34/12-27; 280/79.11, 79.3, 79.2;  
108/51.1, 51.3, 55.1, 56.1  
See application file for complete search history.

(56) **References Cited**

**U.S. PATENT DOCUMENTS**

3,494,667	A	*	2/1970	Schlapman et al.	.....	298/5
D219,649	S	*	1/1971	Salcman et al.	.....	D34/17
D221,633	S	*	8/1971	Kotkowski	.....	D34/23
D263,820	S	*	4/1982	Levenberg	.....	D34/23

D280,563	S	*	9/1985	Cobb	.....	D34/17
D291,037	S	*	7/1987	Handler et al.	.....	D6/432
D327,351	S	*	6/1992	Dallas	.....	D34/23
5,653,458	A	*	8/1997	Chaparian	.....	280/30
D395,533	S	*	6/1998	Morison et al.	.....	D34/38
D420,188	S	*	2/2000	Betcher	.....	D34/23
D536,499	S	*	2/2007	Lucht	.....	D34/12
D649,318	S	*	11/2011	Renfrew et al.	.....	D34/12
D668,418	S	*	10/2012	Nicholson	.....	D34/14
D668,419	S	*	10/2012	Nicholson	.....	D34/14
D679,466	S	*	4/2013	McCullough	.....	D34/17

\* cited by examiner

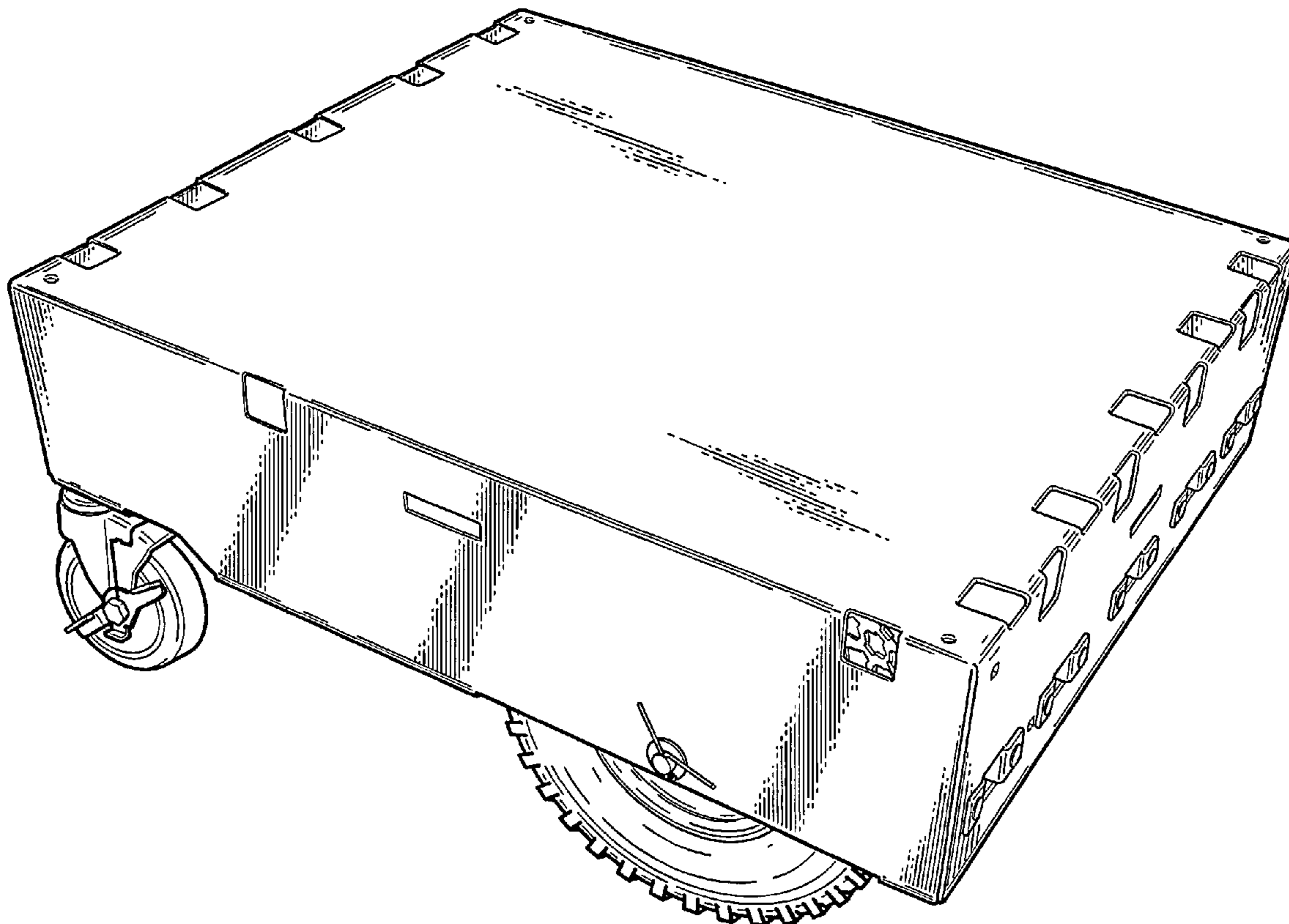
*Primary Examiner* — Cynthia Ramirez

(57) **CLAIM**  
The ornamental design for a utility dolly, as shown.

**DESCRIPTION**

FIG. 1 is a top, left perspective view of a utility dolly showing my new design;  
FIG. 2 is a front view thereof;  
FIG. 3 is a back view thereof;  
FIG. 4 is a left side view thereof;  
FIG. 5 is a right side view thereof;  
FIG. 6 is a top view thereof;  
FIG. 7 is a bottom view thereof; and,  
FIG. 8 is a bottom perspective view thereof.

**1 Claim, 7 Drawing Sheets**



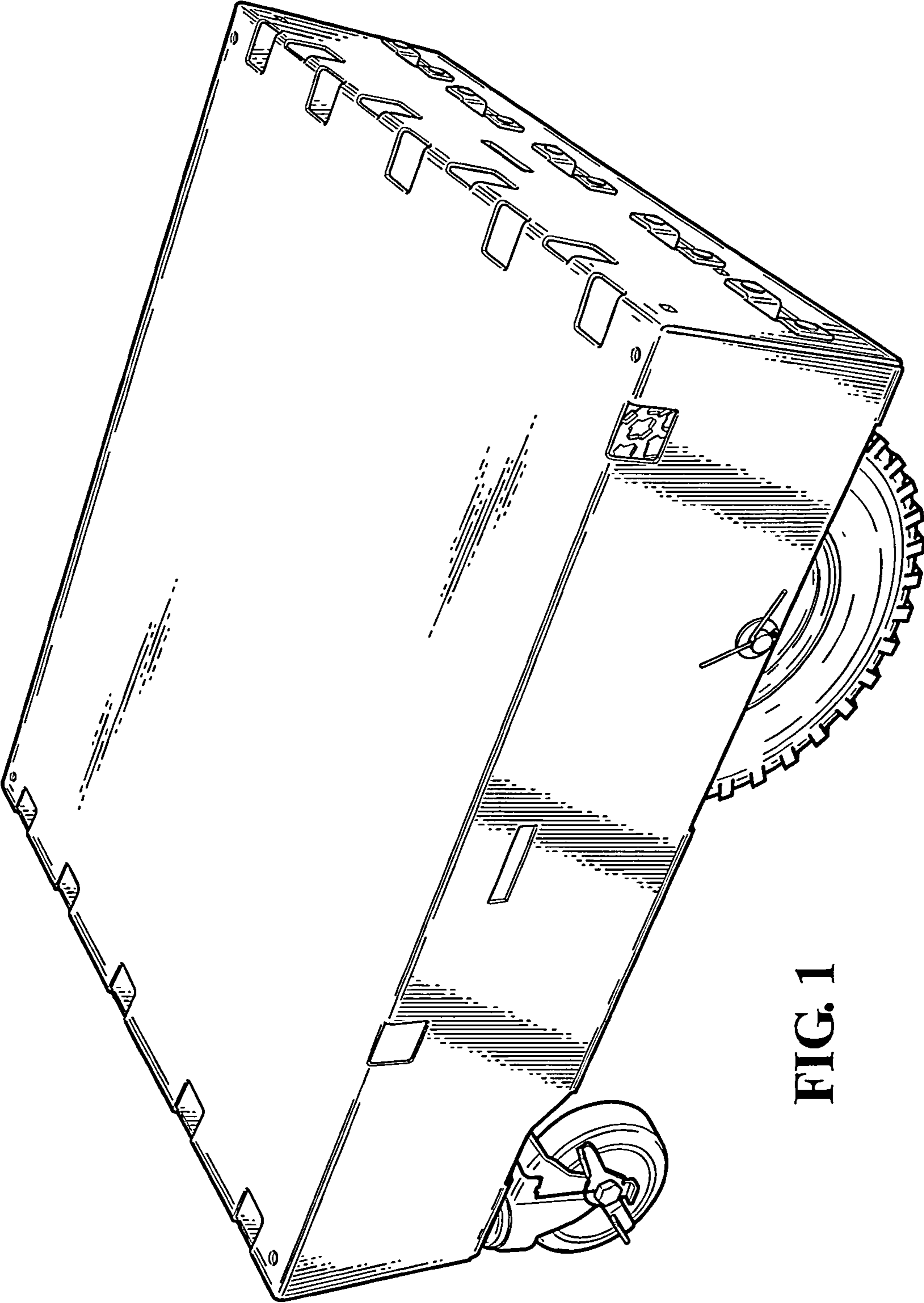


FIG. 1

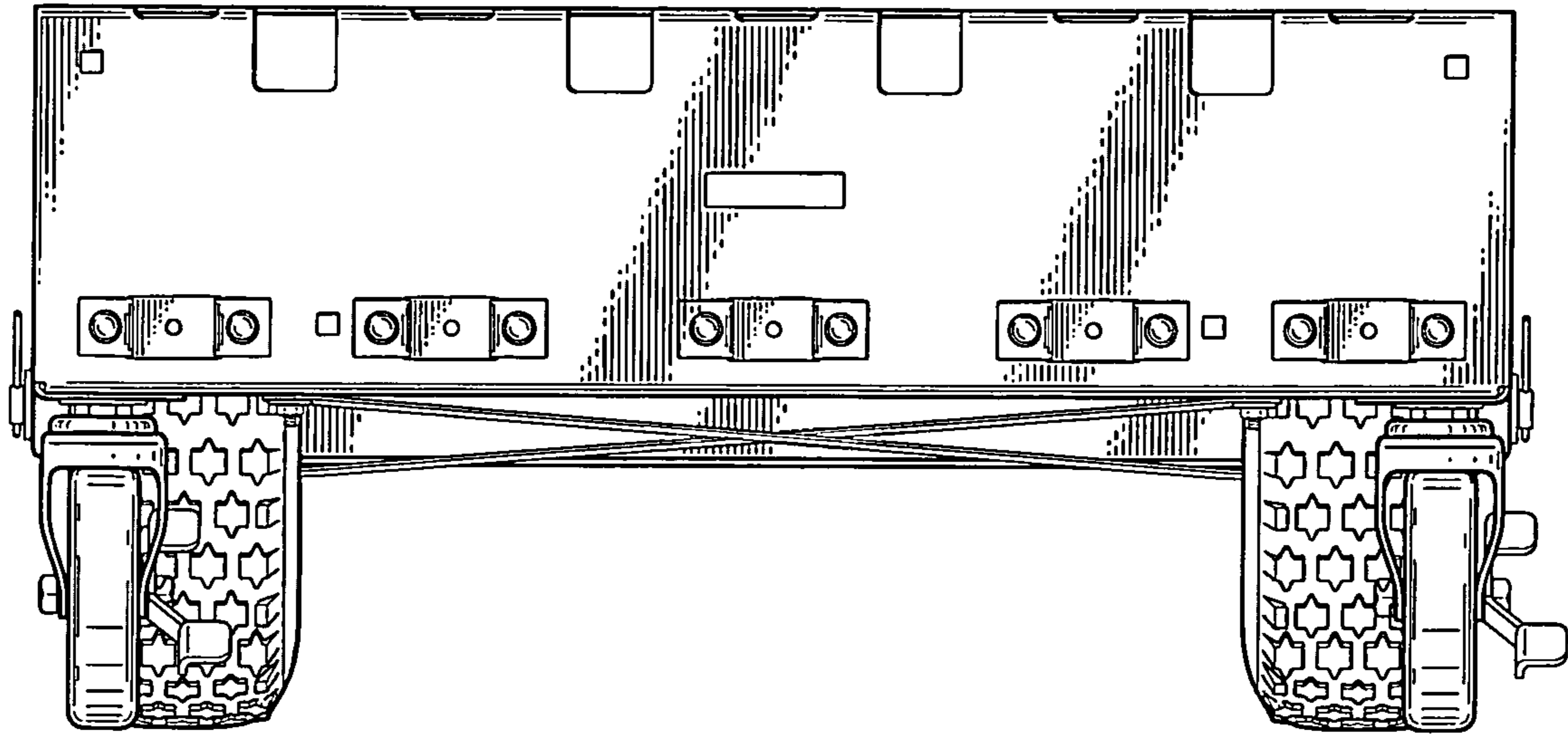


FIG. 2

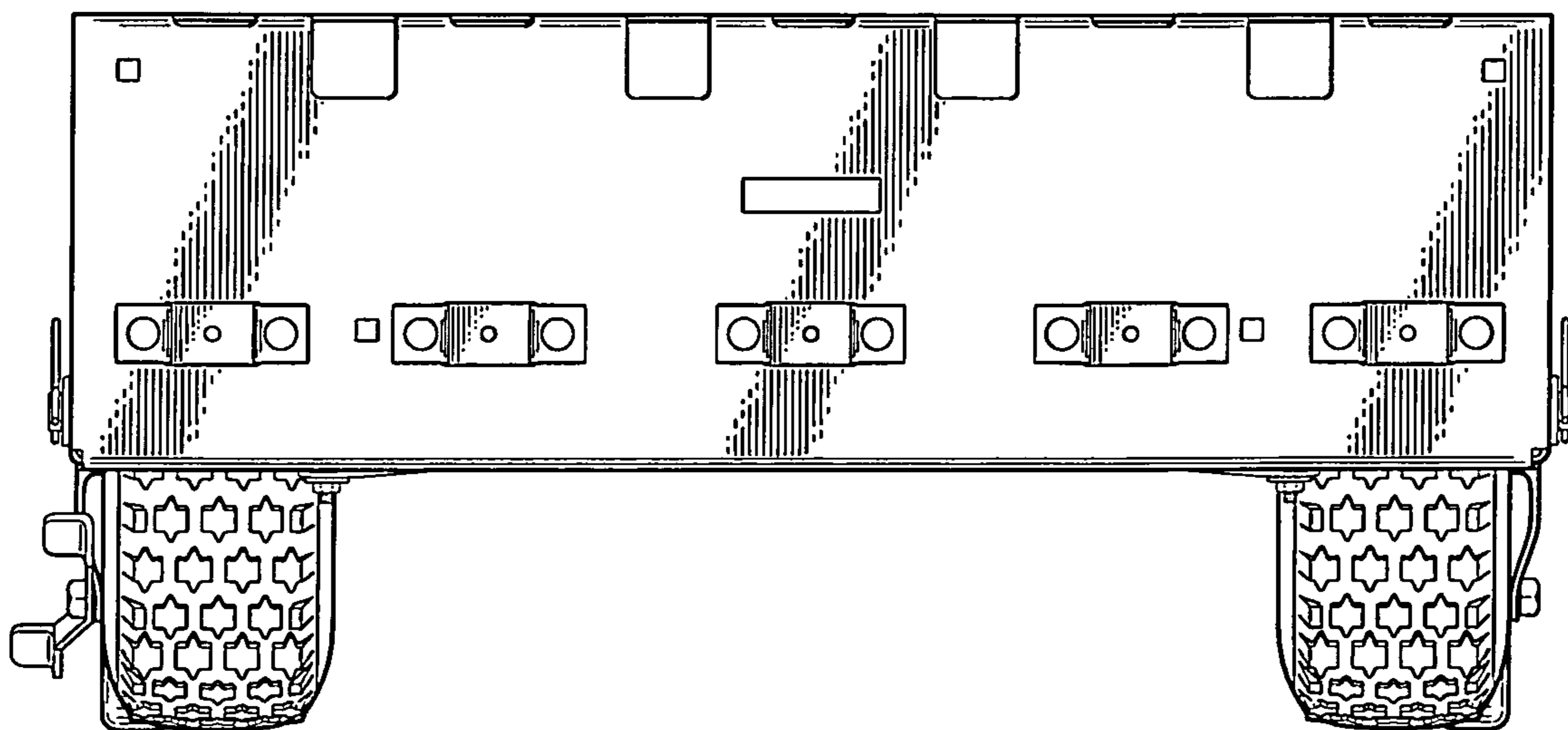


FIG. 3

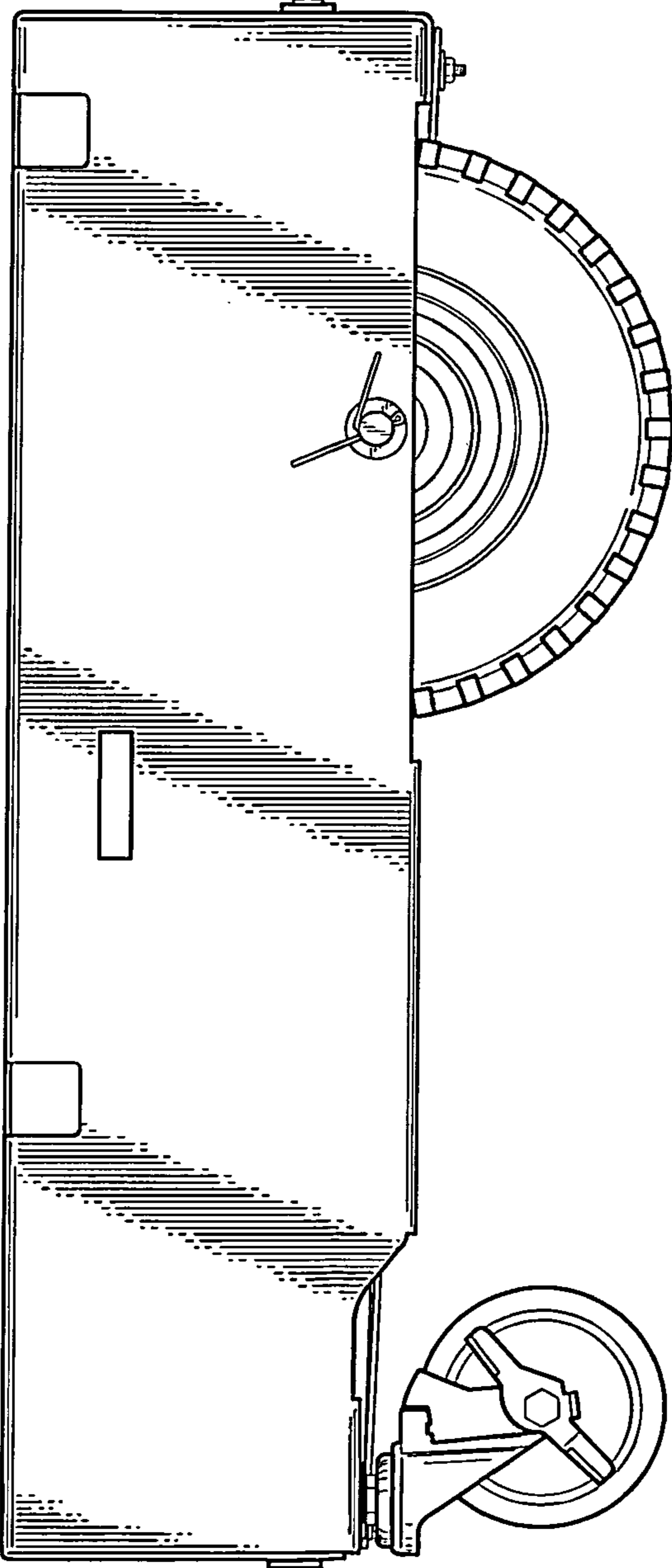


FIG. 4



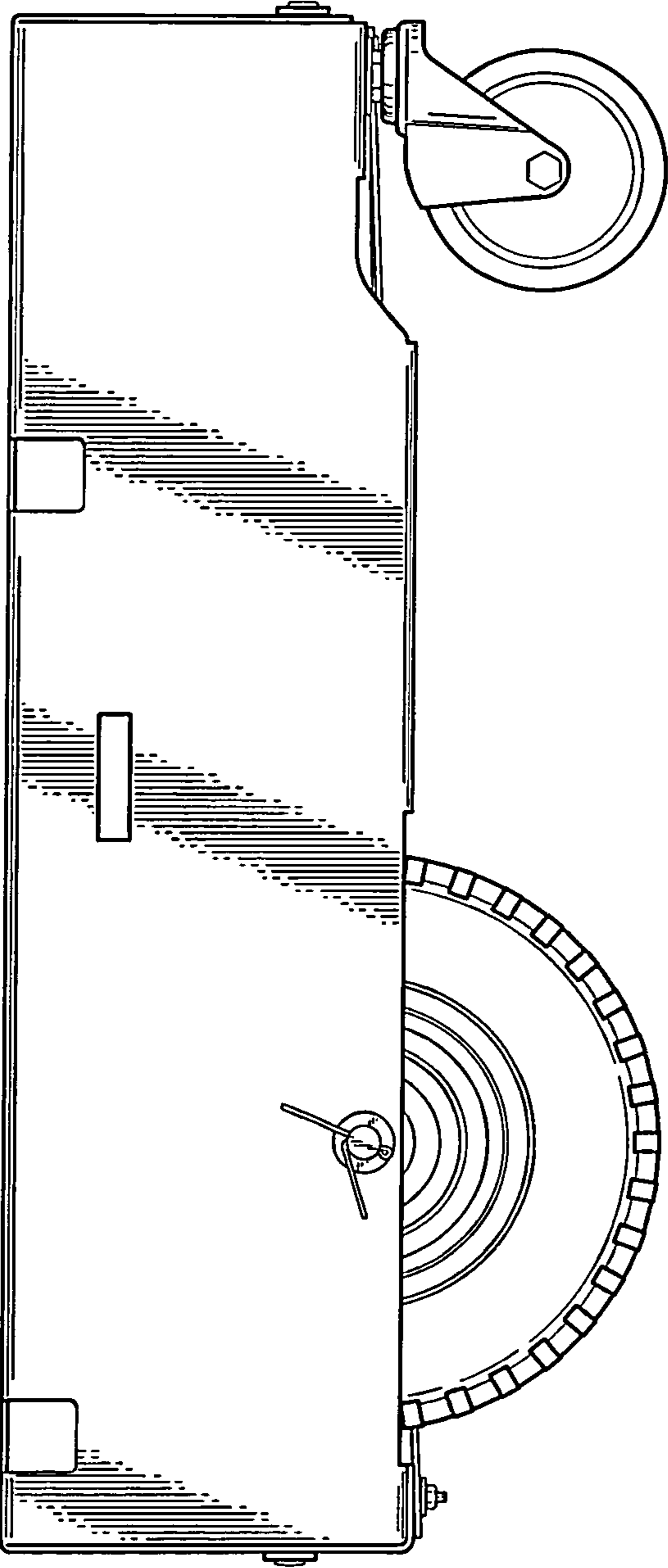


FIG. 5

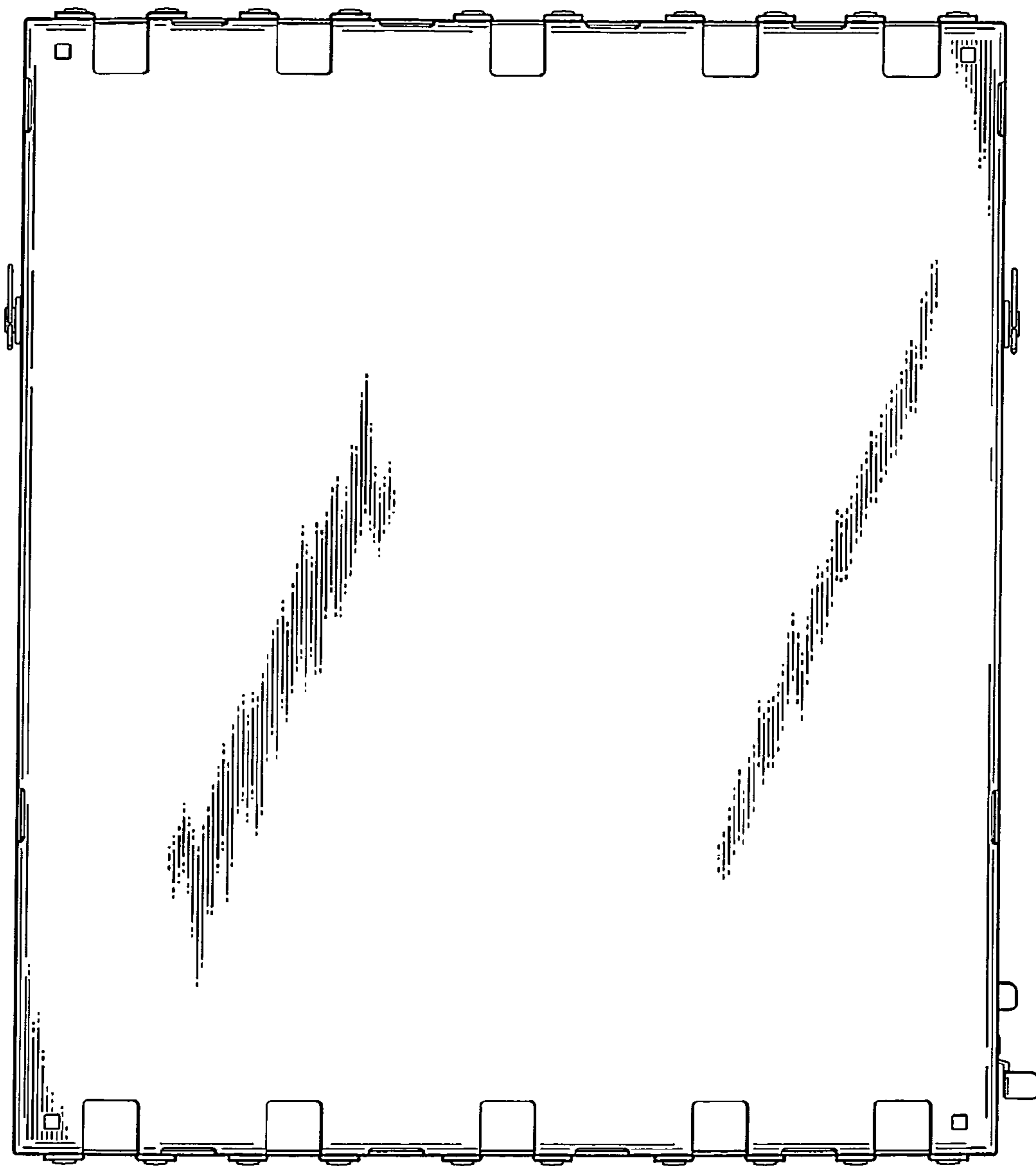


FIG. 6

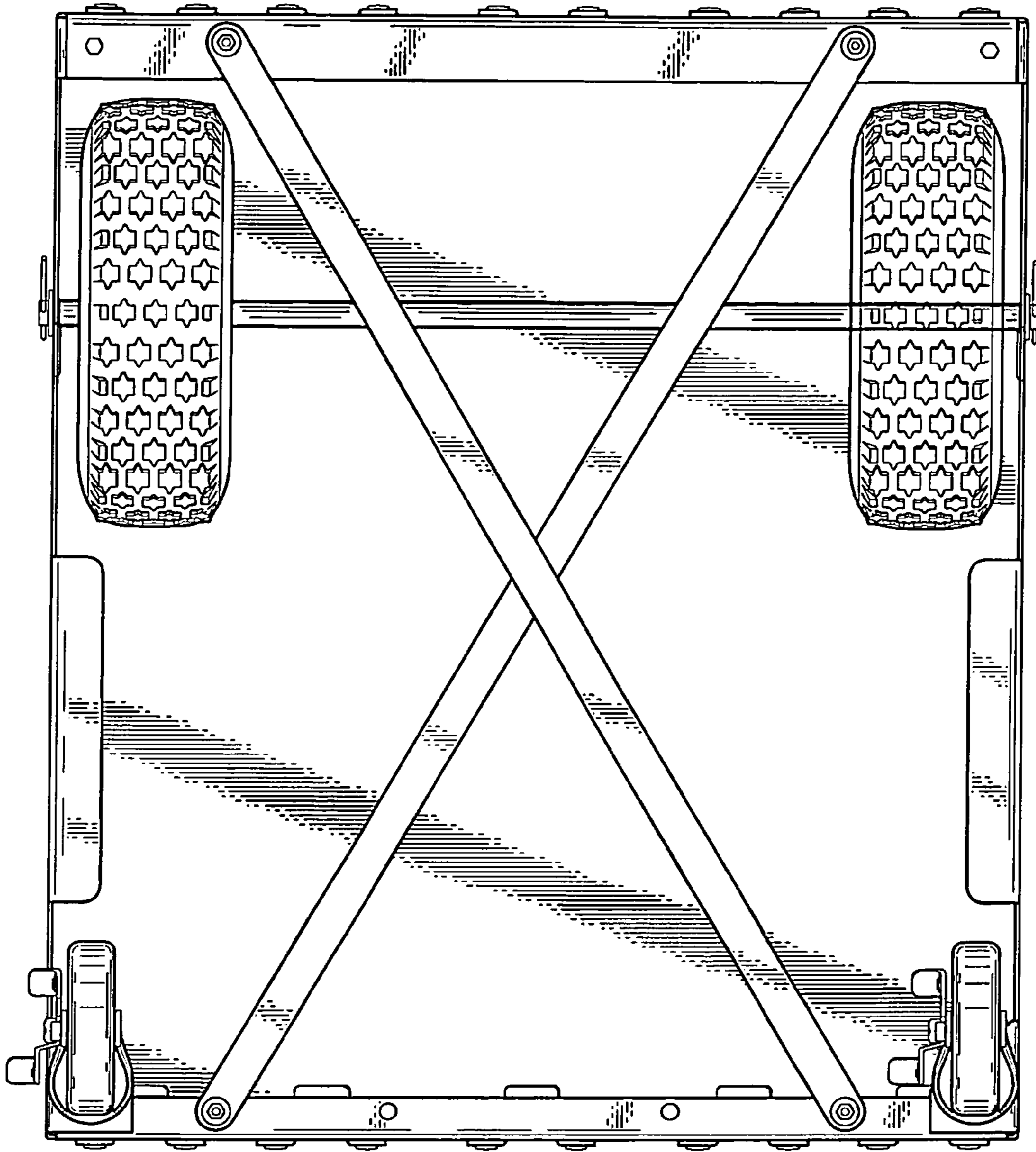


FIG. 7

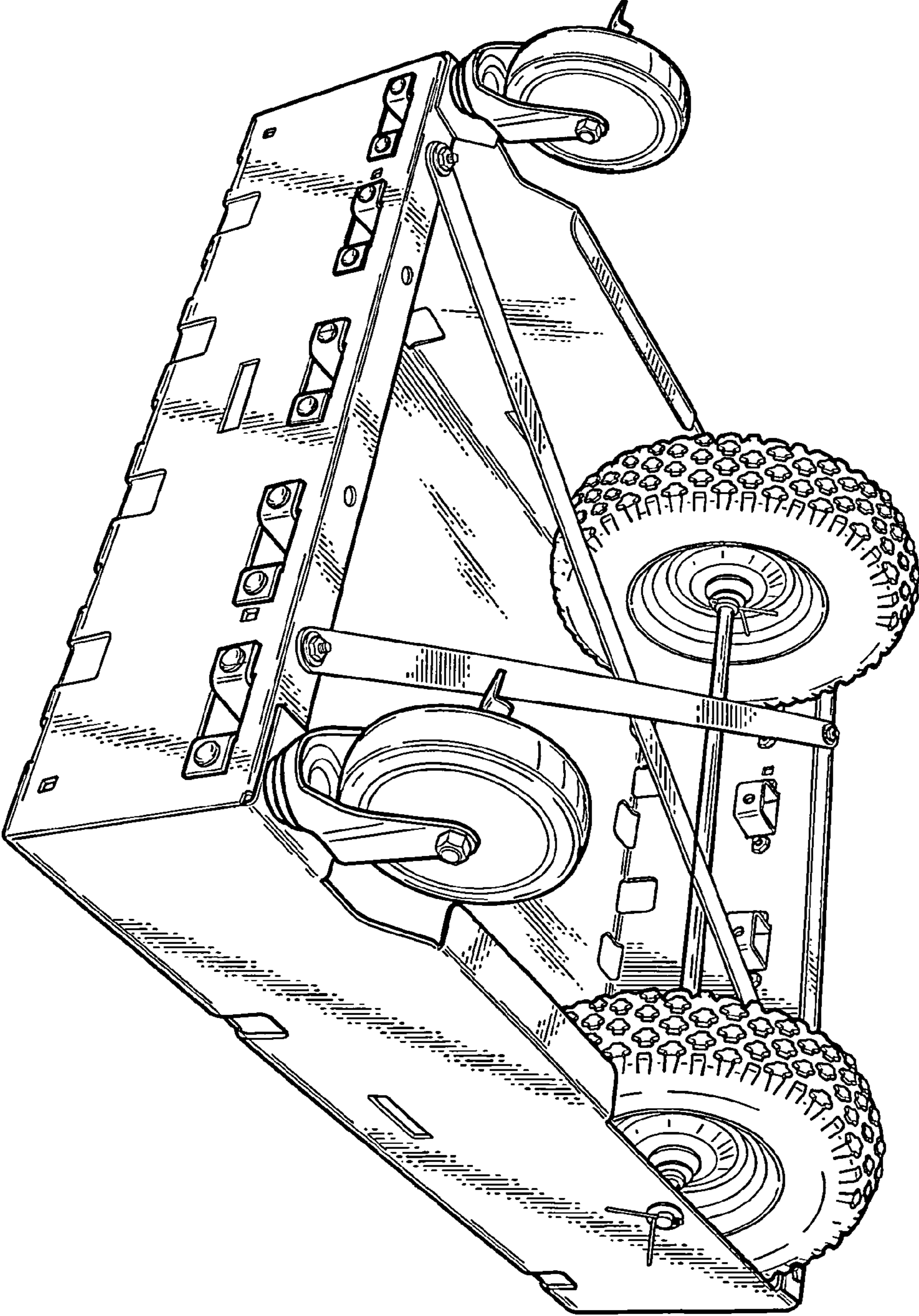


FIG. 8