



US00D733385S

(12) **United States Design Patent**  
**Spates**

(10) **Patent No.:** **US D733,385 S**  
(45) **Date of Patent:** **\*\* Jun. 30, 2015**

- (54) **APPAREL ROLLING CART**
- (71) Applicant: **Chad Garrett Spates**, Lake Elsinore, CA (US)
- (72) Inventor: **Chad Garrett Spates**, Lake Elsinore, CA (US)
- (\*\*) Term: **14 Years**
- (21) Appl. No.: **29/489,987**
- (22) Filed: **May 5, 2014**

**Related U.S. Application Data**

- (63) Continuation-in-part of application No. 29/453,556, filed on Apr. 30, 2013, now Pat. No. Des. 723,238.
- (51) **LOC (10) Cl.** ..... **12-02**
- (52) **U.S. Cl.**  
USPC ..... **D34/20**
- (58) **Field of Classification Search**  
USPC ..... D34/12-27; 280/30, 5.321, 651, 47.35, 280/79.11, 79.3, 47.26, 79.2, 47.371, 47.34, 280/47.131; 312/249.12; 211/204, 126.15  
CPC ..... B62B 1/00; B62B 7/00; B62B 3/02; B62B 5/00; B62B 3/005  
See application file for complete search history.

(56) **References Cited**

**U.S. PATENT DOCUMENTS**

504,476	A *	9/1893	Kelley	280/47.371
3,149,726	A *	9/1964	Magers	211/134
3,156,318	A *	11/1964	Sorenson et al.	482/28
3,436,092	A *	4/1969	Werner	280/651
3,445,150	A *	5/1969	Zartarian	312/249.8
3,534,978	A *	10/1970	Stanfield	280/79.2
3,746,538	A *	7/1973	Menz	430/40
3,787,072	A *	1/1974	DeBoer et al.	280/79.11
3,827,573	A *	8/1974	Guerette	211/149
3,840,243	A *	10/1974	Rheinhart et al.	280/651
3,861,702	A *	1/1975	Wilson	280/33.996

3,893,686	A *	7/1975	Morgan	280/651
3,908,562	A *	9/1975	Wittschen	280/79.11
3,971,568	A *	7/1976	Wright	280/33.996
4,111,445	A *	9/1978	Haibeck	280/79.3
D250,584	S *	12/1978	Oye	D34/20
D290,177	S *	6/1987	Trubiano	D34/23
5,040,690	A *	8/1991	van der Schoot	211/135
D324,285	S *	2/1992	Macy	D34/21
5,090,725	A *	2/1992	Feldner	280/651
D341,459	S *	11/1993	Yang	D34/21
D354,597	S *	1/1995	Crane	D34/21
5,536,034	A *	7/1996	Miller	280/651
D386,870	S *	11/1997	Halvorson et al.	D34/21
5,713,584	A *	2/1998	Crane	280/47.35
D405,578	S *	2/1999	Shumake	D34/17
D410,127	S *	5/1999	Colomban	D34/21
6,022,033	A *	2/2000	Landesman et al.	280/47.35
6,116,533	A *	9/2000	Elder	242/594.4
6,135,706	A *	10/2000	Marti et al.	414/812
6,203,035	B1 *	3/2001	Ondrasik	280/79.3
6,203,036	B1 *	3/2001	LaVaute et al.	280/79.3
6,224,072	B1 *	5/2001	Weck et al.	280/47.35
6,457,737	B1 *	10/2002	King	280/651
6,523,776	B1 *	2/2003	Elder	242/594.4
6,540,249	B2 *	4/2003	King	280/651

(Continued)

*Primary Examiner* — Cynthia Ramirez

(74) *Attorney, Agent, or Firm* — QuickPatents; Kevin Prince

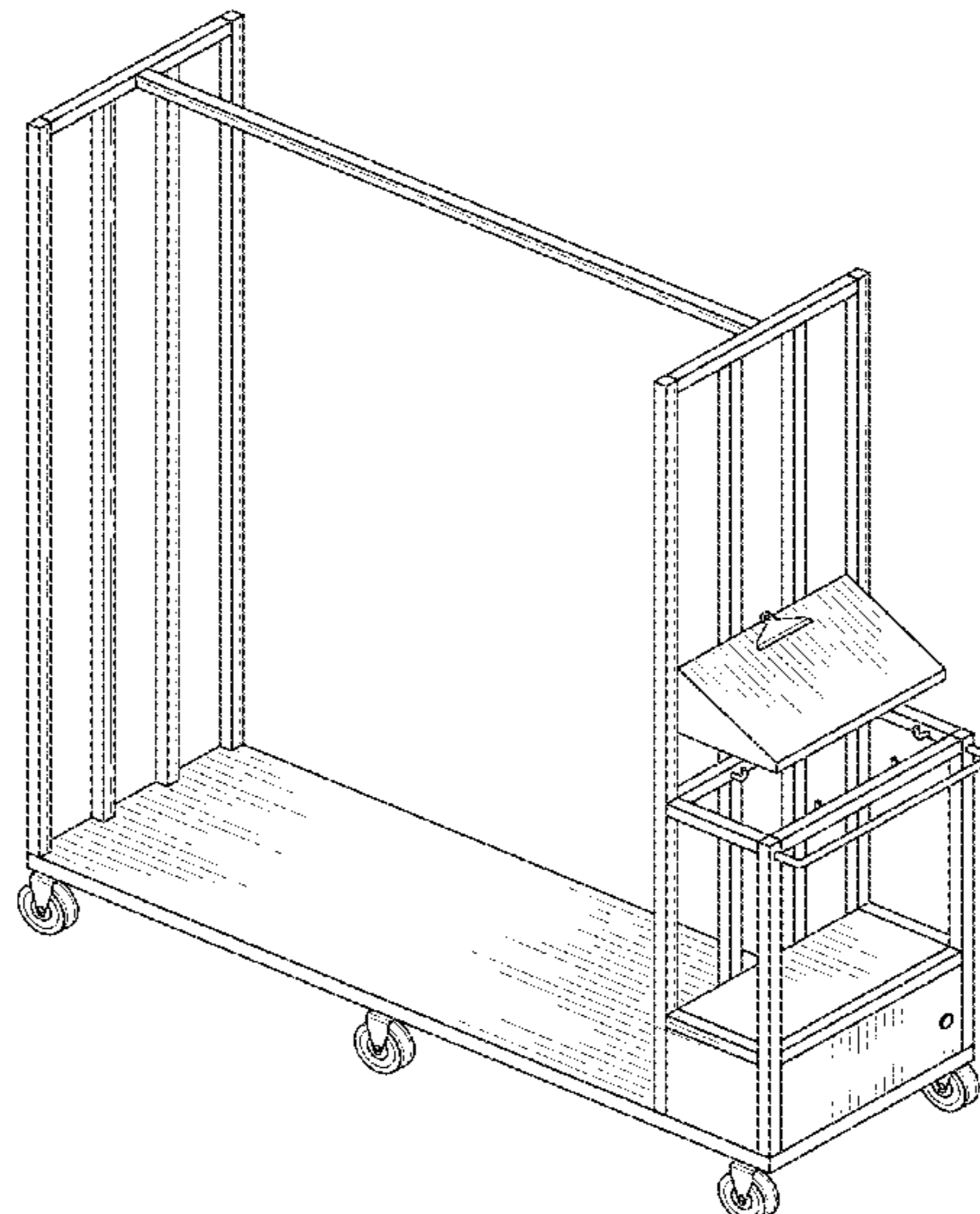
(57) **CLAIM**

I claim the ornamental design for an apparel rolling cart, as shown and described.

**DESCRIPTION**

FIG. 1 is an enlarged perspective view of an apparel rolling cart, showing my new design;  
 FIG. 2 is a front elevational view thereof;  
 FIG. 3 is a rear elevational view thereof;  
 FIG. 4 is a left-side elevational view thereof, the right-side elevational view being a mirror image thereof;  
 FIG. 5 is a top plan view thereof; and,  
 FIG. 6 is a bottom plan view thereof.

**1 Claim, 4 Drawing Sheets**



(56)

**References Cited**

U.S. PATENT DOCUMENTS

6,742,792	B1 *	6/2004	Hooper et al.	280/79.3	D517,769	S *	3/2006	Post et al.	D34/21
6,811,164	B2 *	11/2004	Trogstam	280/79.3	7,114,733	B2 *	10/2006	Downs	280/47.35
6,955,366	B2 *	10/2005	Tokarev	280/47.34	7,438,301	B2 *	10/2008	Schilling et al.	280/79.7
D514,269	S *	1/2006	Polidoros	D34/21	7,527,274	B2 *	5/2009	Strauss et al.	280/33.991
6,986,527	B2 *	1/2006	Carver	280/651	7,963,533	B2 *	6/2011	Bothun et al.	280/47.35
					8,622,403	B2 *	1/2014	Tan et al.	280/47.35
					D723,238	S *	2/2015	Spades	D34/20
					2009/0194958	A1 *	8/2009	Lin et al.	280/47.35

\* cited by examiner

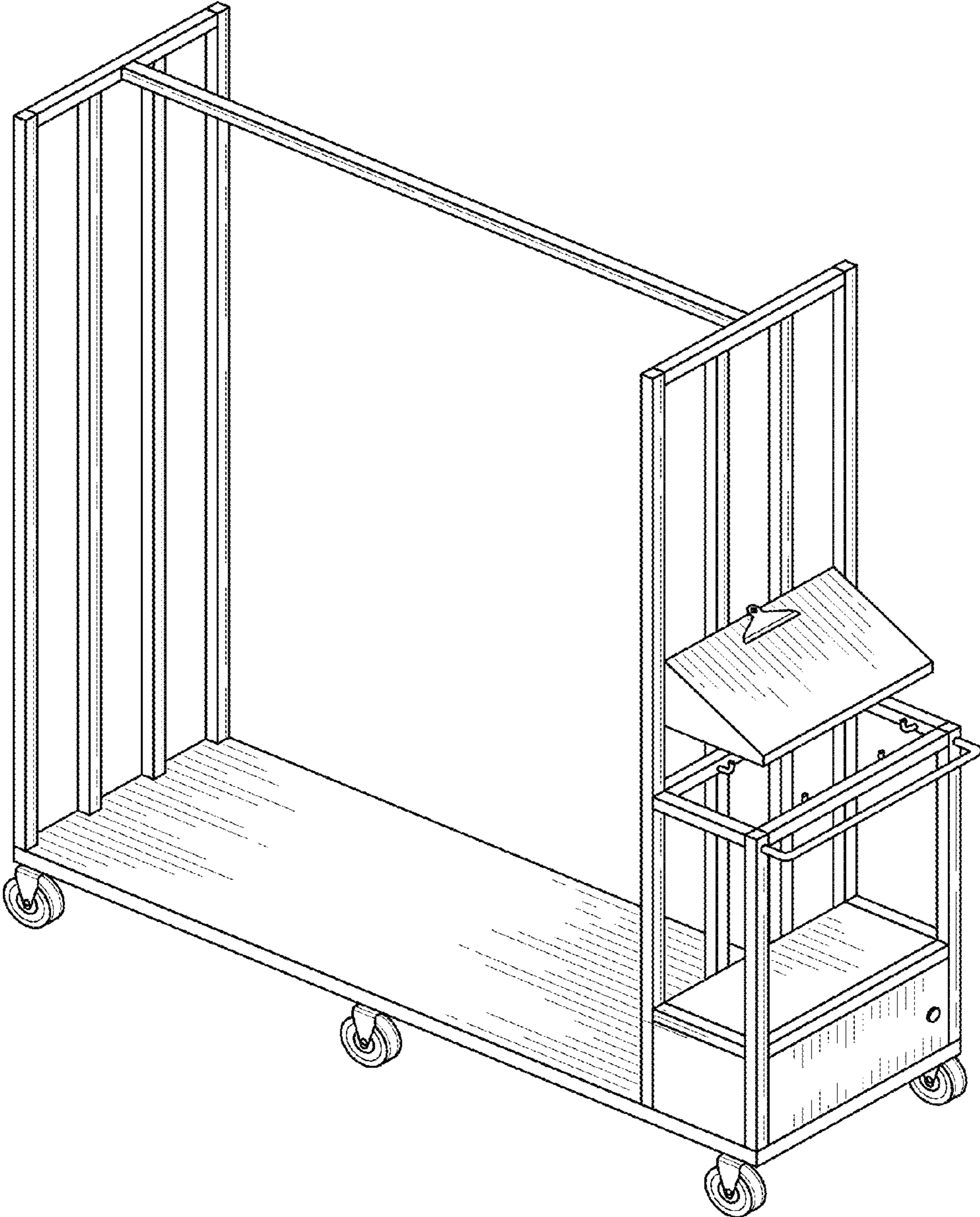


FIG. 1

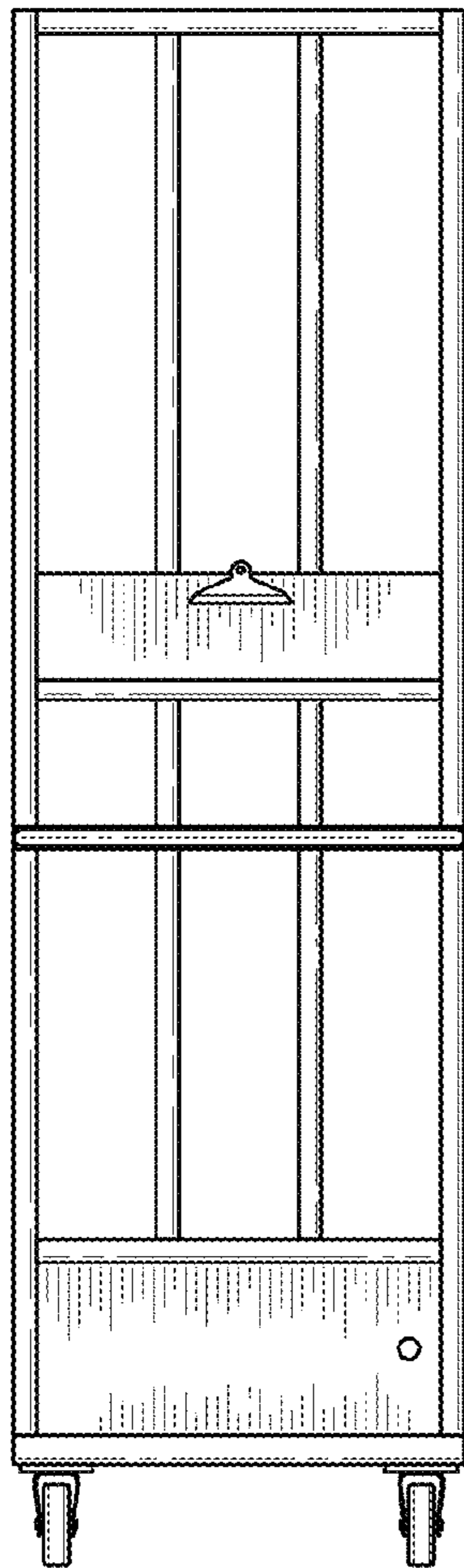


FIG. 2

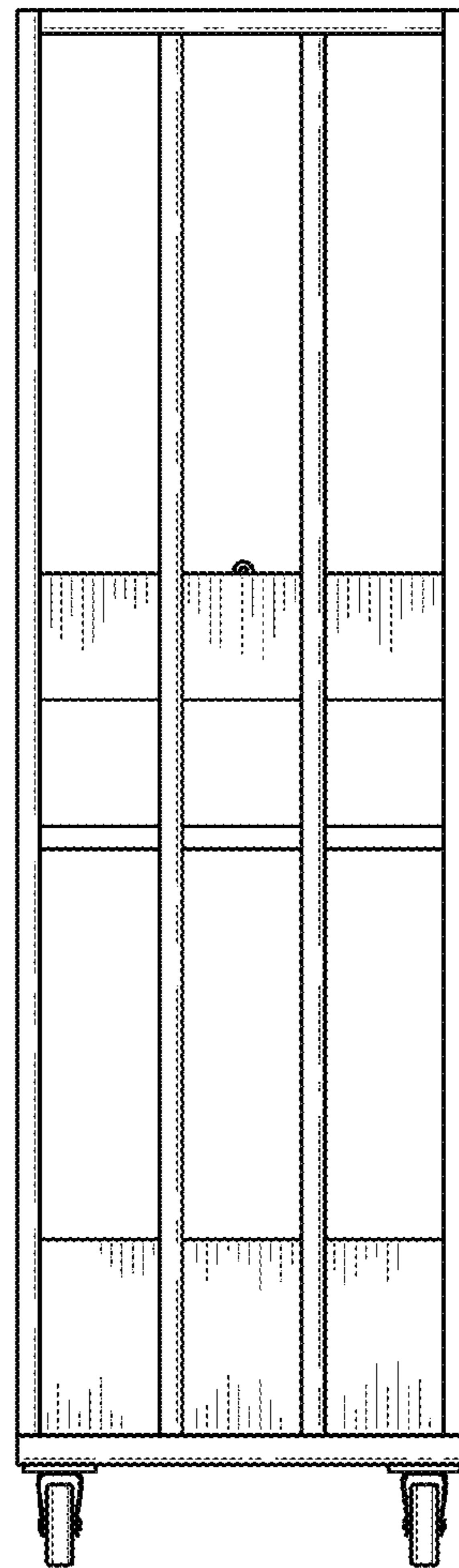


FIG. 3

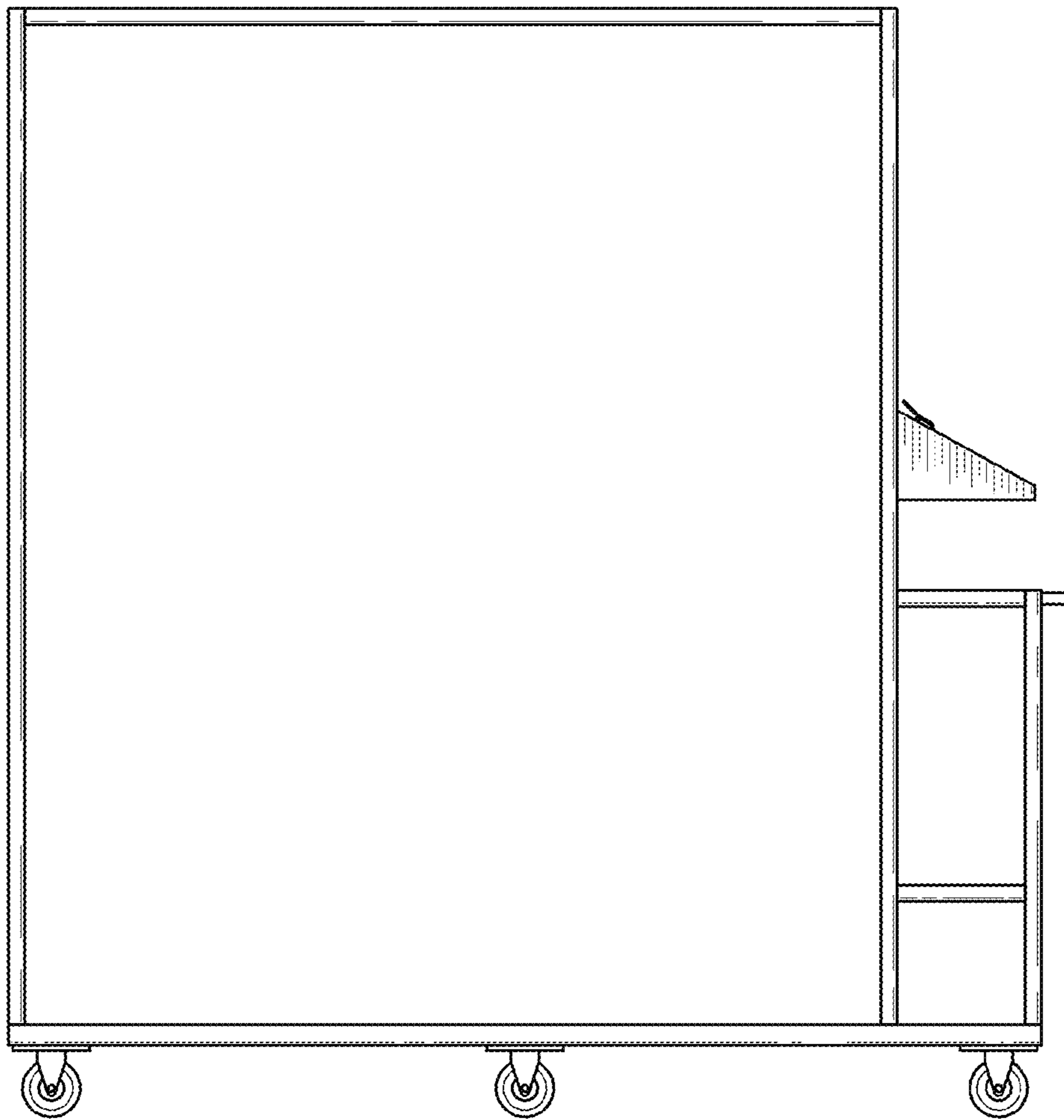


FIG. 4

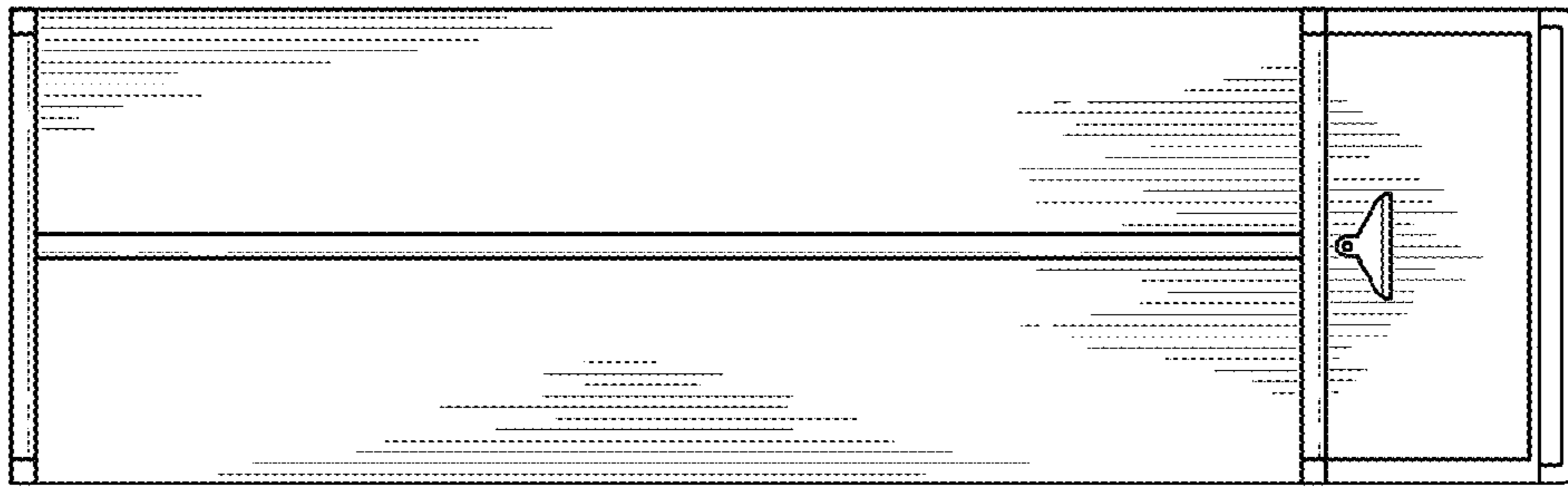


FIG. 5

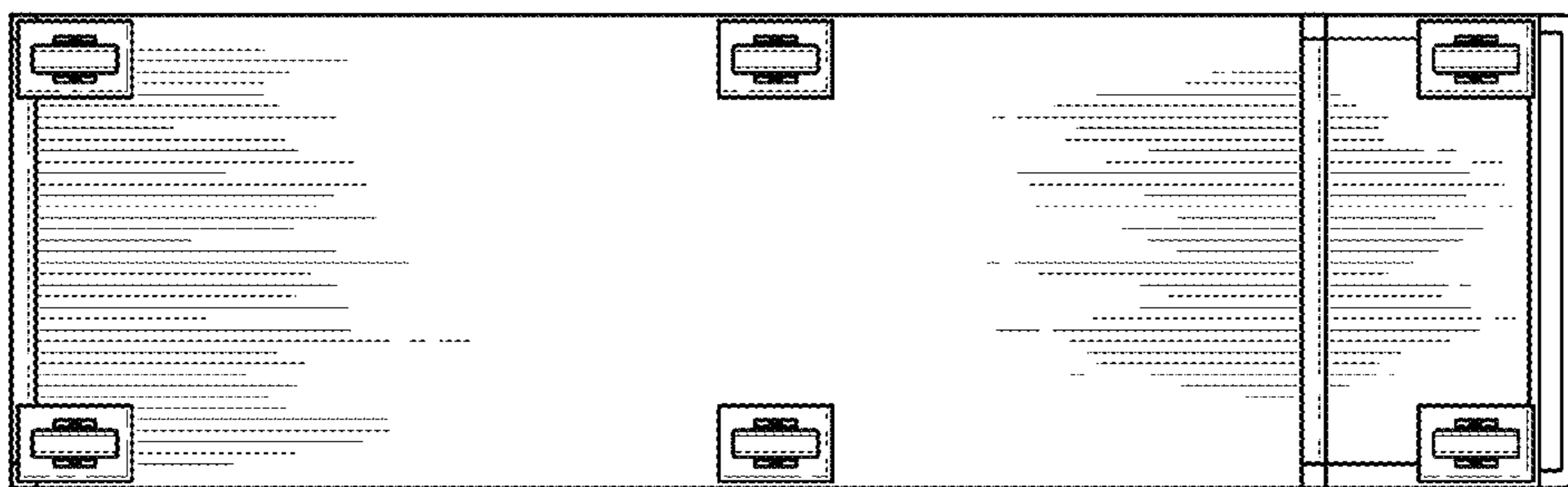


FIG. 6