



US00D733384S

(12) **United States Design Patent**
Lloyd et al.

(10) **Patent No.:** **US D733,384 S**
(45) **Date of Patent:** **** Jun. 30, 2015**

- (54) **TOTEM BIN**
- (71) Applicant: **JOSEPH JOSEPH LTD**, London (GB)
- (72) Inventors: **Tom Lloyd**, London (GB); **Luke Pearson**, London (GB)
- (73) Assignee: **JOSEPH JOSEPH LTD.**, London (GB)
- (**) Term: **14 Years**
- (21) Appl. No.: **29/489,931**
- (22) Filed: **May 5, 2014**

- (30) **Foreign Application Priority Data**
Nov. 5, 2013 (EM) 002339150-0001
- (51) **LOC (10) Cl.** **09-09**
- (52) **U.S. Cl.**
USPC **D34/7**
- (58) **Field of Classification Search**
USPC D34/1-11; 220/908, 908.1, 909, 908.2,
220/495.07, 495.08
CPC B65F 1/062; B65F 1/06; B65F 1/163;
B65F 1/068; B65F 1/0006; B65F 1/1607;
B65F 2220/12; B65F 2001/061; B65D 25/16
See application file for complete search history.

- (56) **References Cited**
U.S. PATENT DOCUMENTS
2,895,782 A * 7/1959 Fragale 312/290
D333,024 S * 2/1993 van Buiten D34/1
D349,997 S * 8/1994 Ullmann D34/1
D394,932 S * 6/1998 Lindholm D34/6
6,062,416 A * 5/2000 Smillie 220/524

- D460,233 S * 7/2002 Strubin D34/1
- D549,418 S * 8/2007 Boydston et al. D34/1
- D568,022 S * 4/2008 Bureau et al. D34/5
- D573,767 S * 7/2008 Milton et al. D34/1
- 7,395,990 B1 * 7/2008 Stevens 248/97
- D668,415 S * 10/2012 Decker et al. D34/9
- D684,332 S * 6/2013 Gollob D34/1
- 8,522,993 B2 * 9/2013 Flewelling 220/263
- 8,668,107 B2 * 3/2014 Decker et al. 220/503
- D703,901 S * 4/2014 Tuncel D34/1
- 8,752,723 B2 * 6/2014 Lucas et al. 220/495.07
- D710,063 S * 7/2014 Senser D34/1
- 2005/0044819 A1 * 3/2005 Chomik et al. 53/459
- 2008/0116205 A1 * 5/2008 Forest 220/495.1

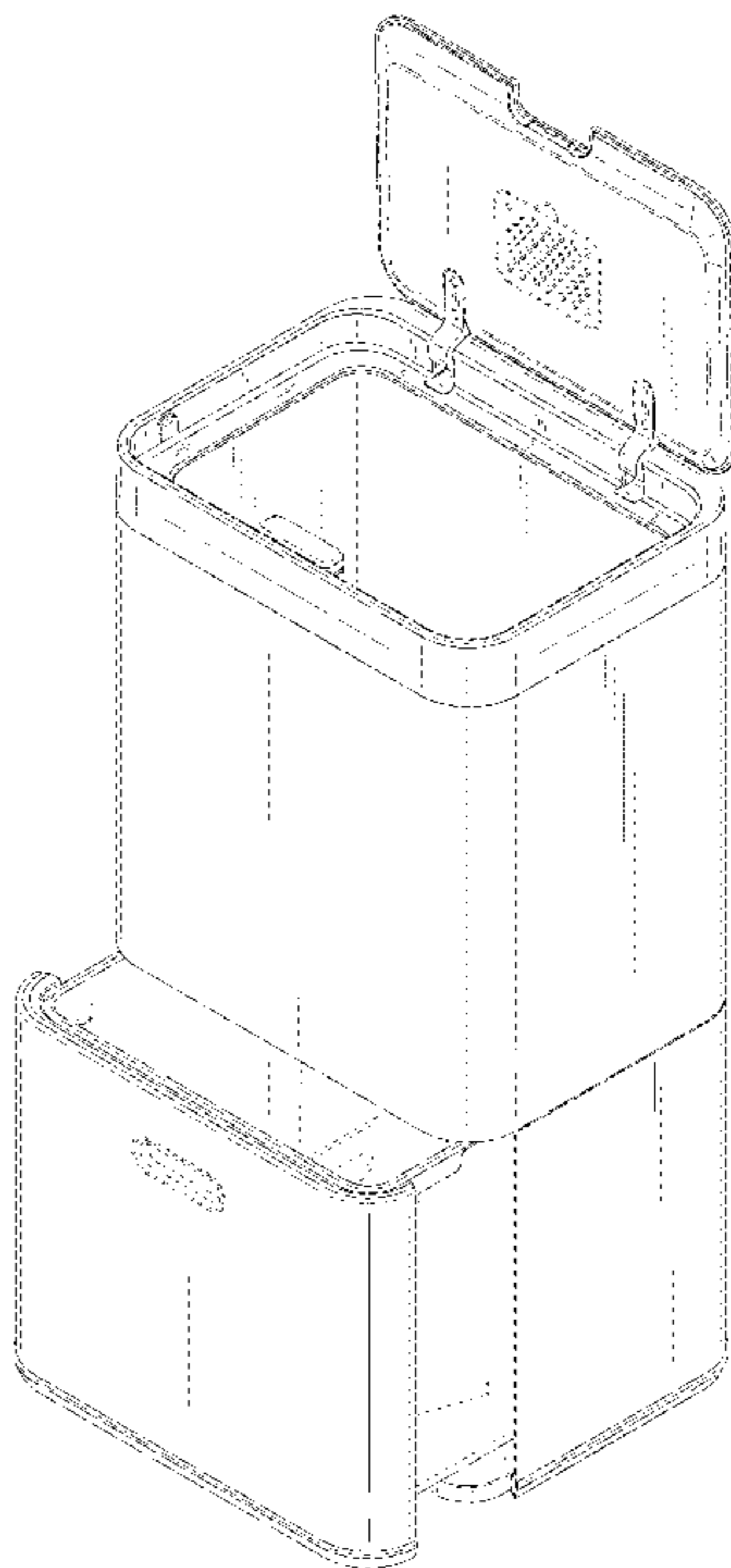
* cited by examiner

Primary Examiner — Cynthia Ramirez
(74) *Attorney, Agent, or Firm* — Millen, White, Zelano & Branigan, P.C.

(57) **CLAIM**
The ornamental design for a totem bin, as shown and described.

DESCRIPTION
FIG. 1 is a top and front perspective view of the totem bin showing my new design.
FIG. 2 is a bottom and front perspective view thereof.
FIG. 3 is a front view thereof.
FIG. 4 is a back view thereof.
FIG. 5 is a side view thereof.
FIG. 6 is another side view thereof.
FIG. 7 is top view thereof; and,
FIG. 8 is a bottom view thereof.
The broken lines showing other parts of a totem bin form no part of the claimed design.

1 Claim, 8 Drawing Sheets



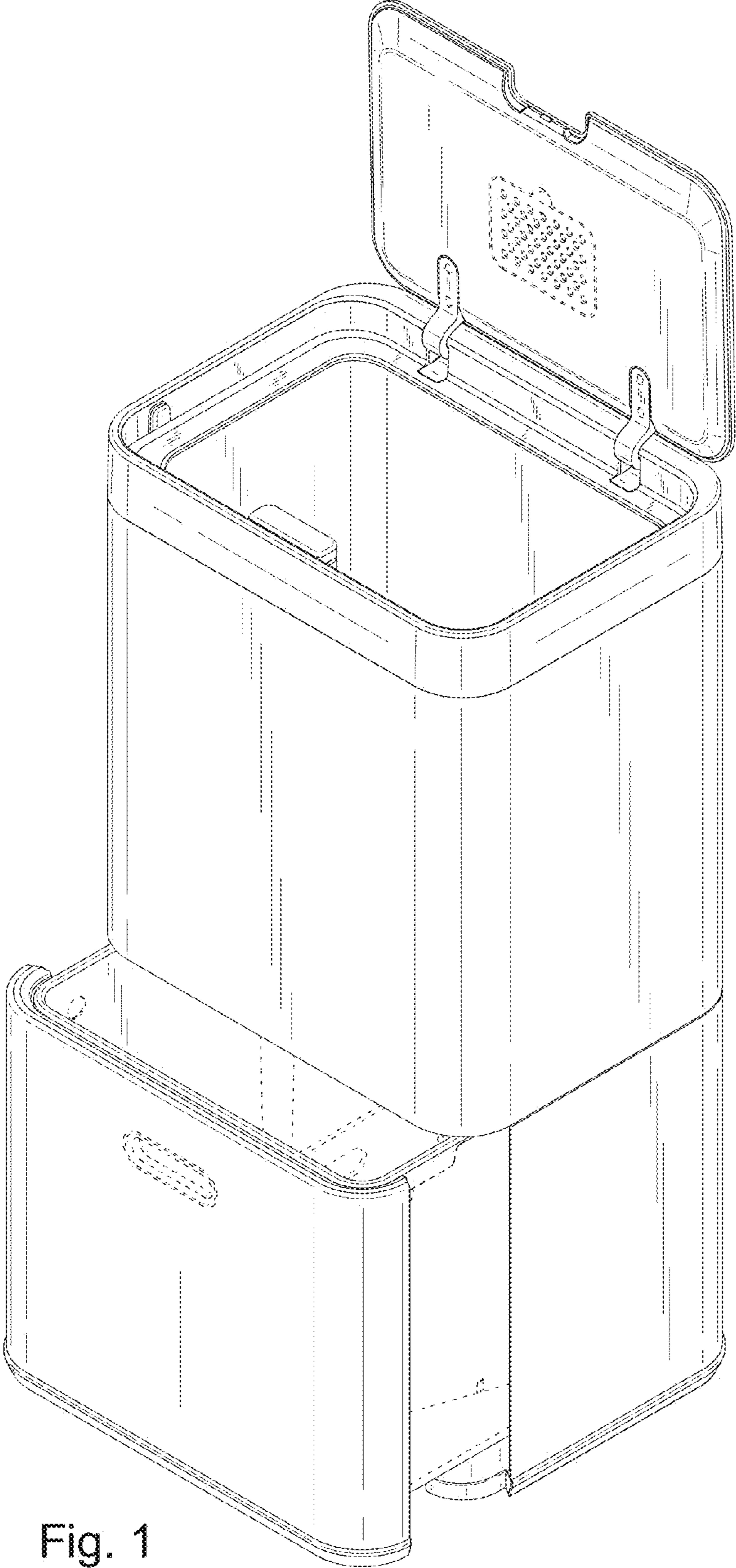


Fig. 1

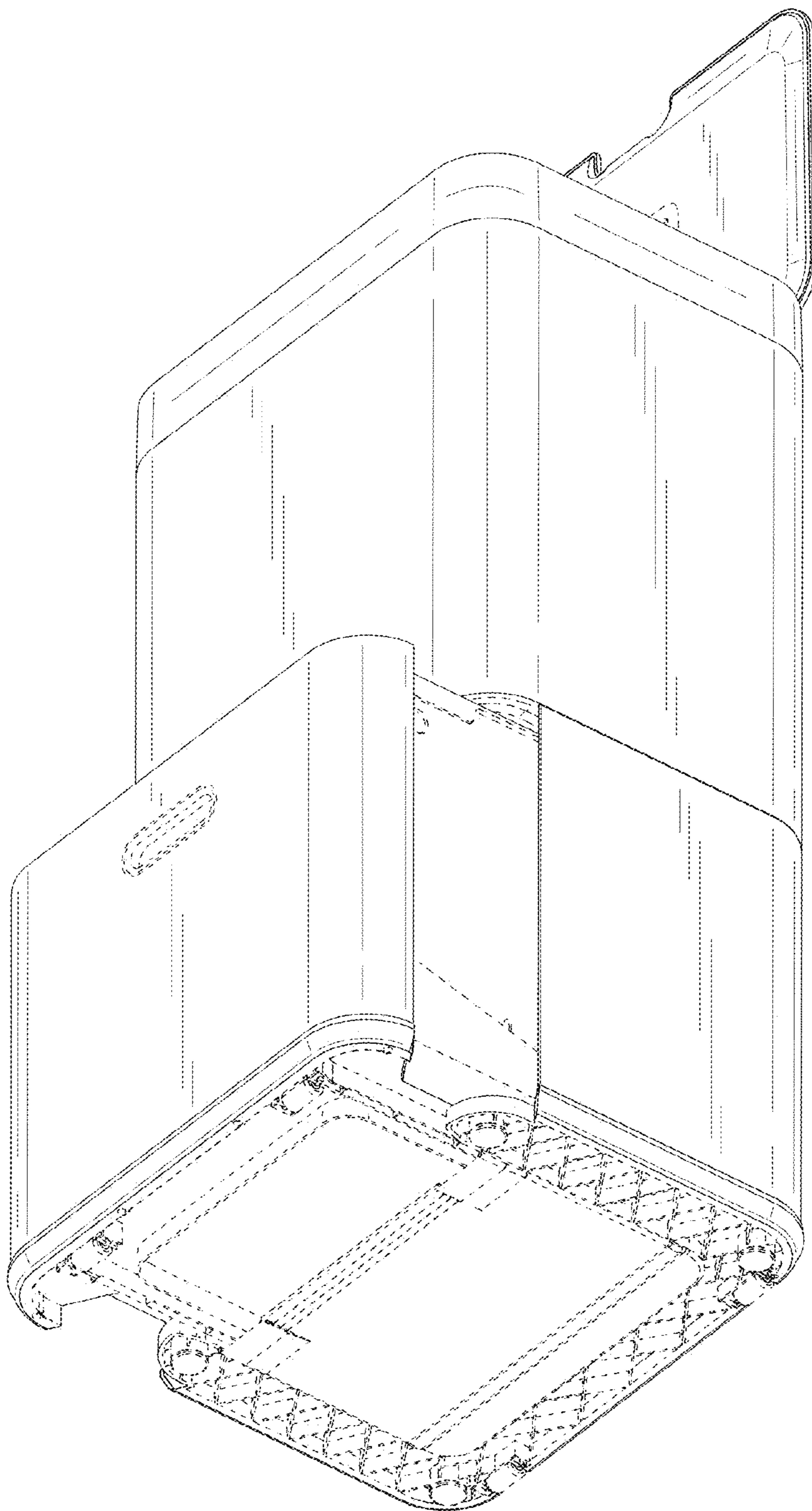


Fig. 2

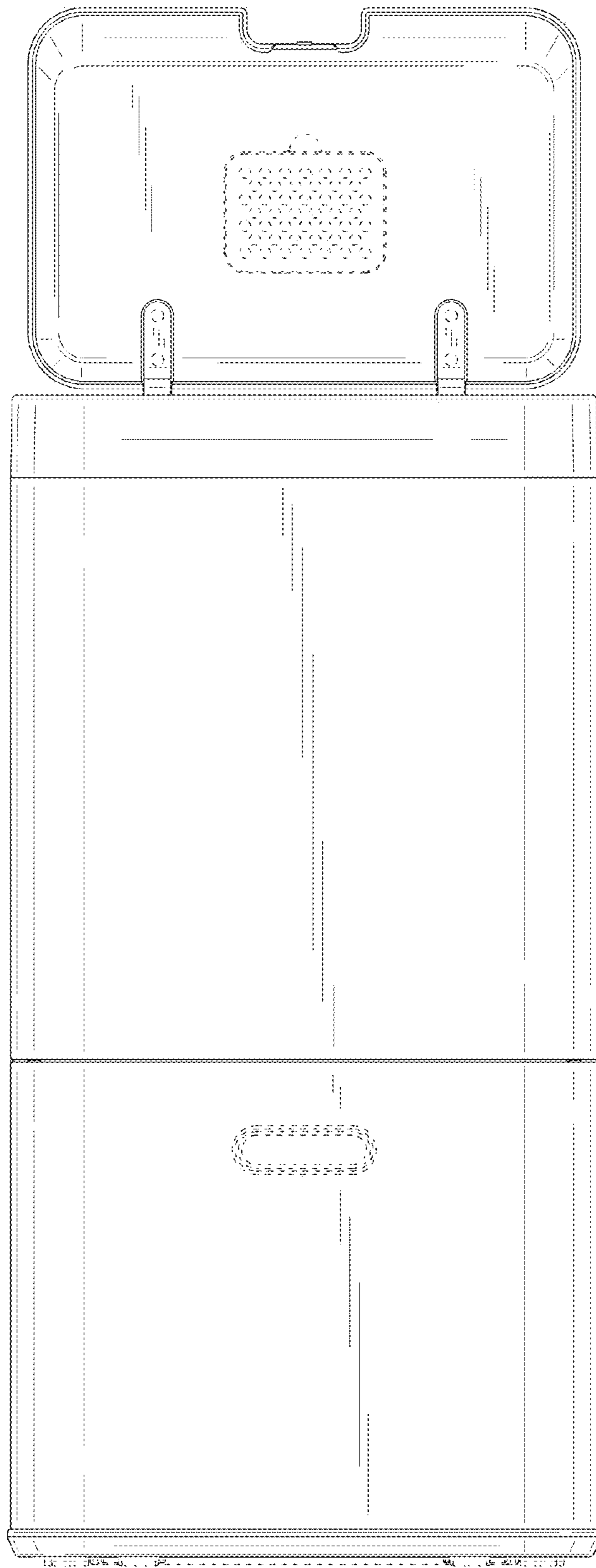


Fig. 3

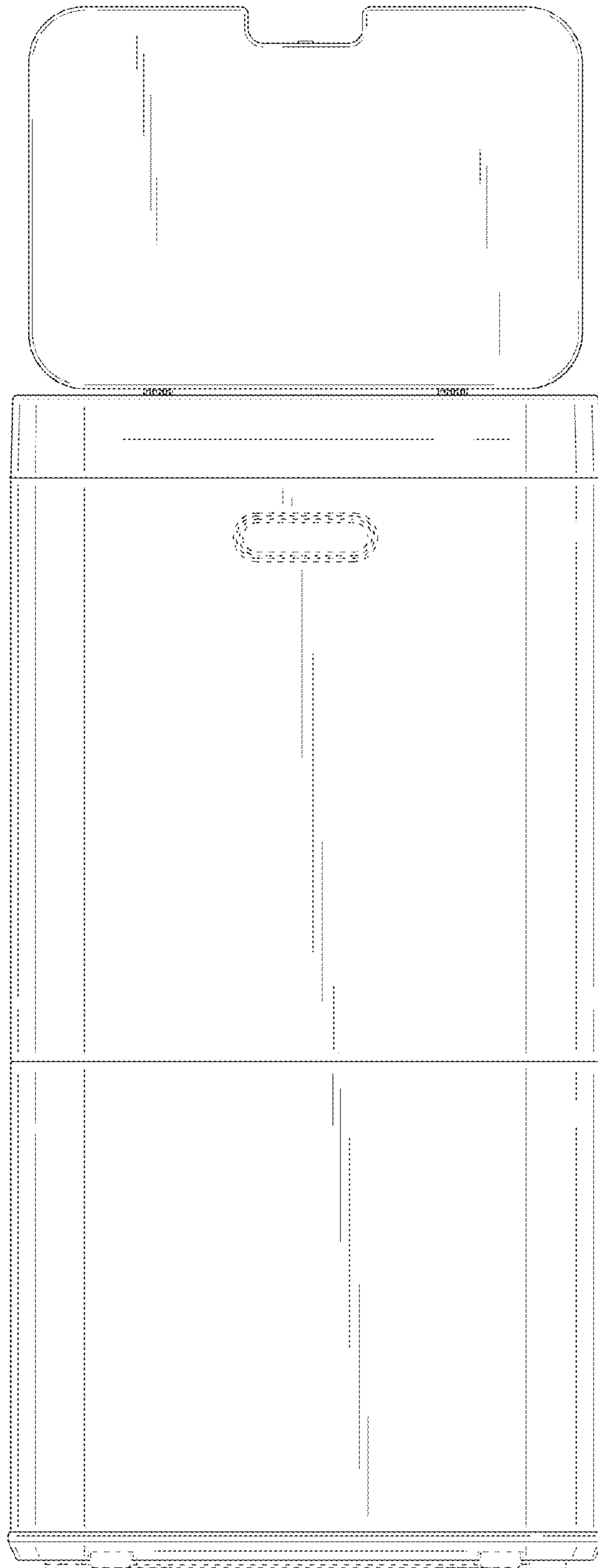


Fig. 4

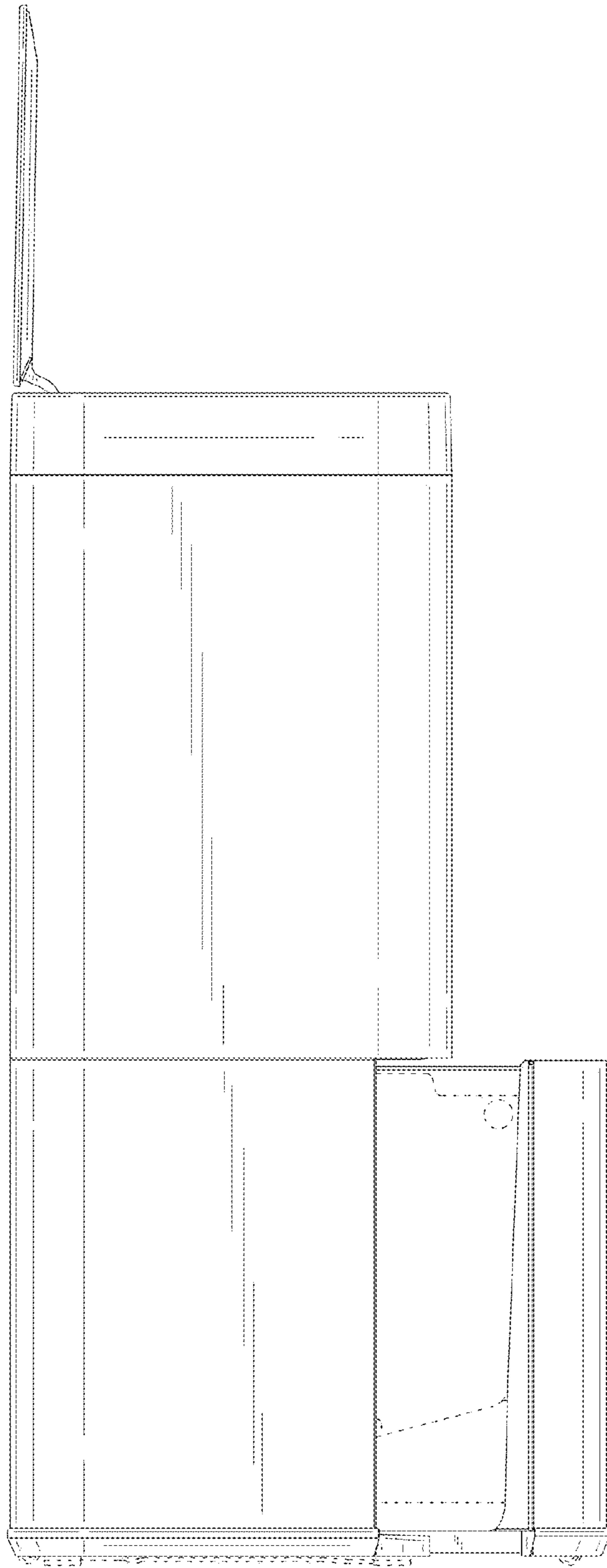


Fig. 5

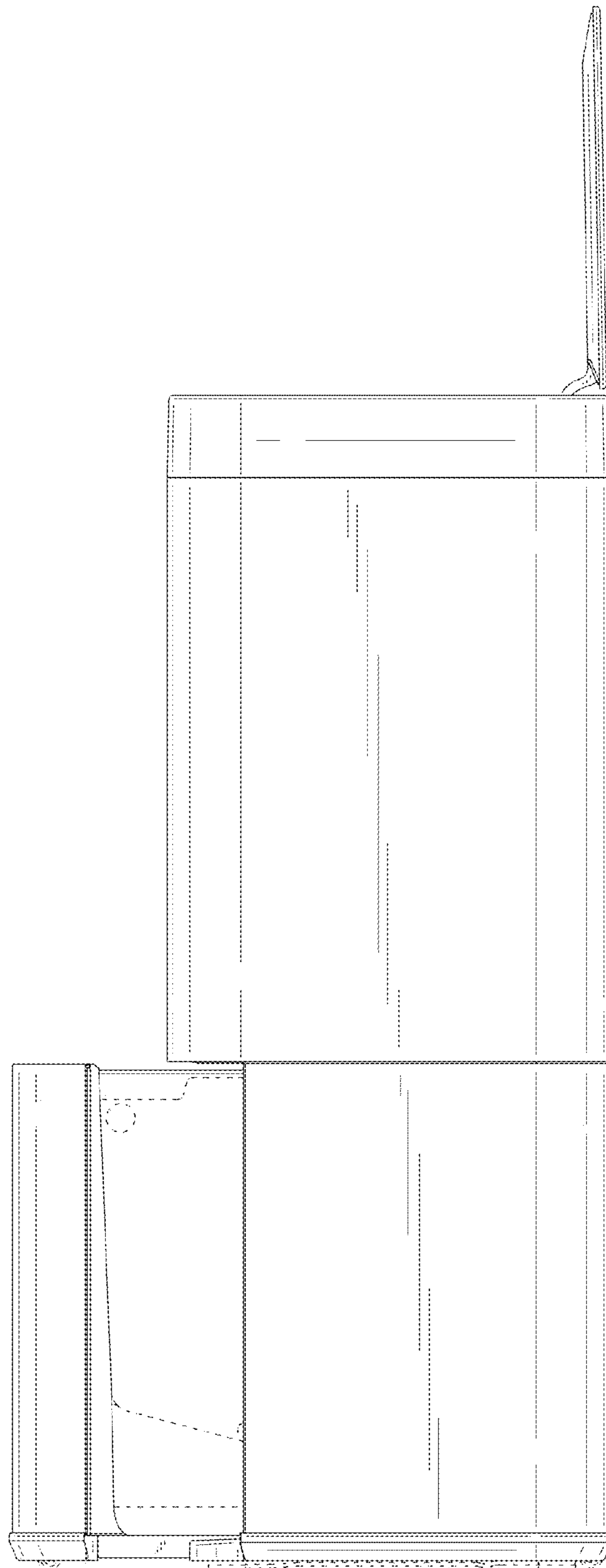


Fig. 6

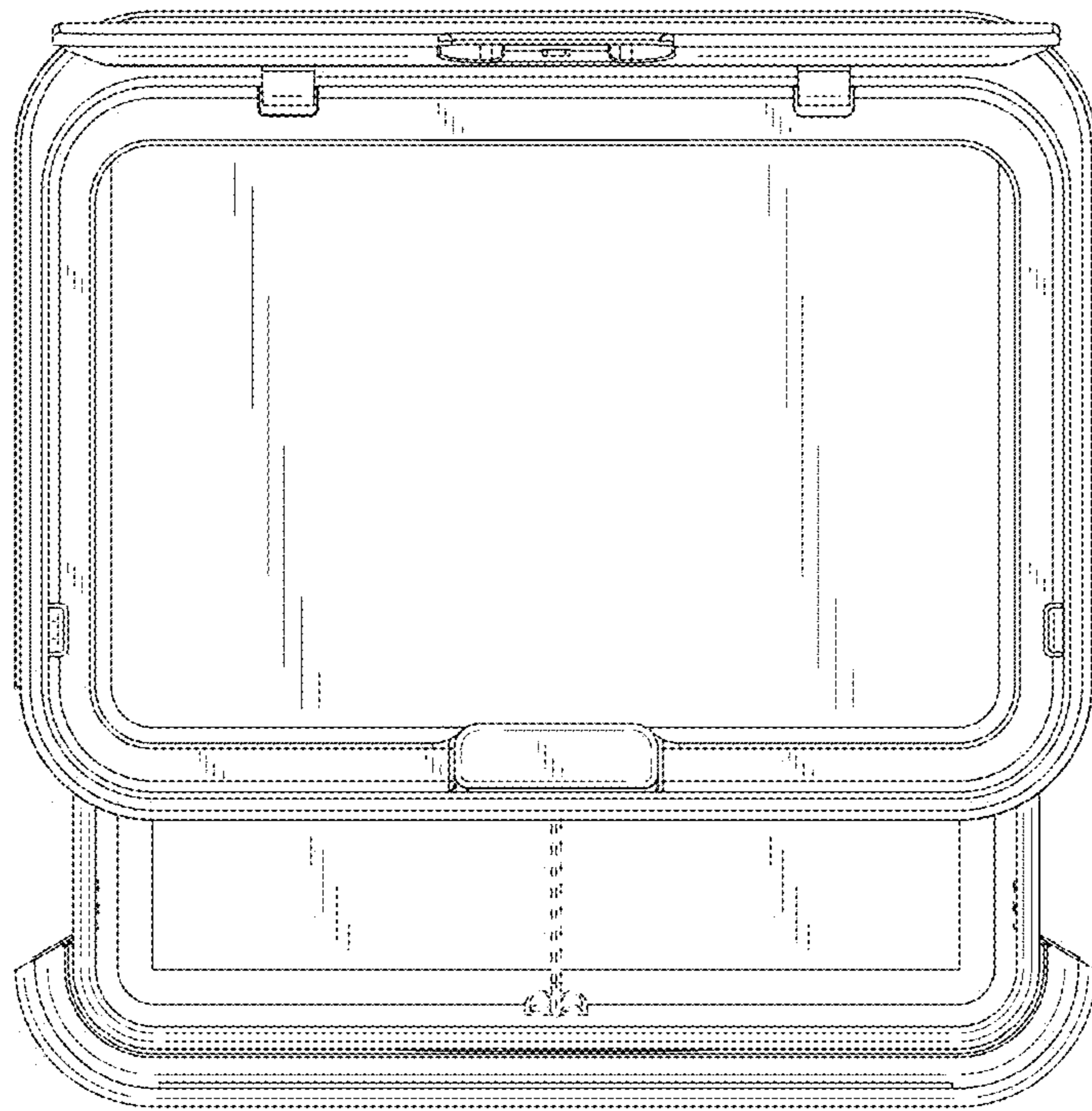


Fig. 7

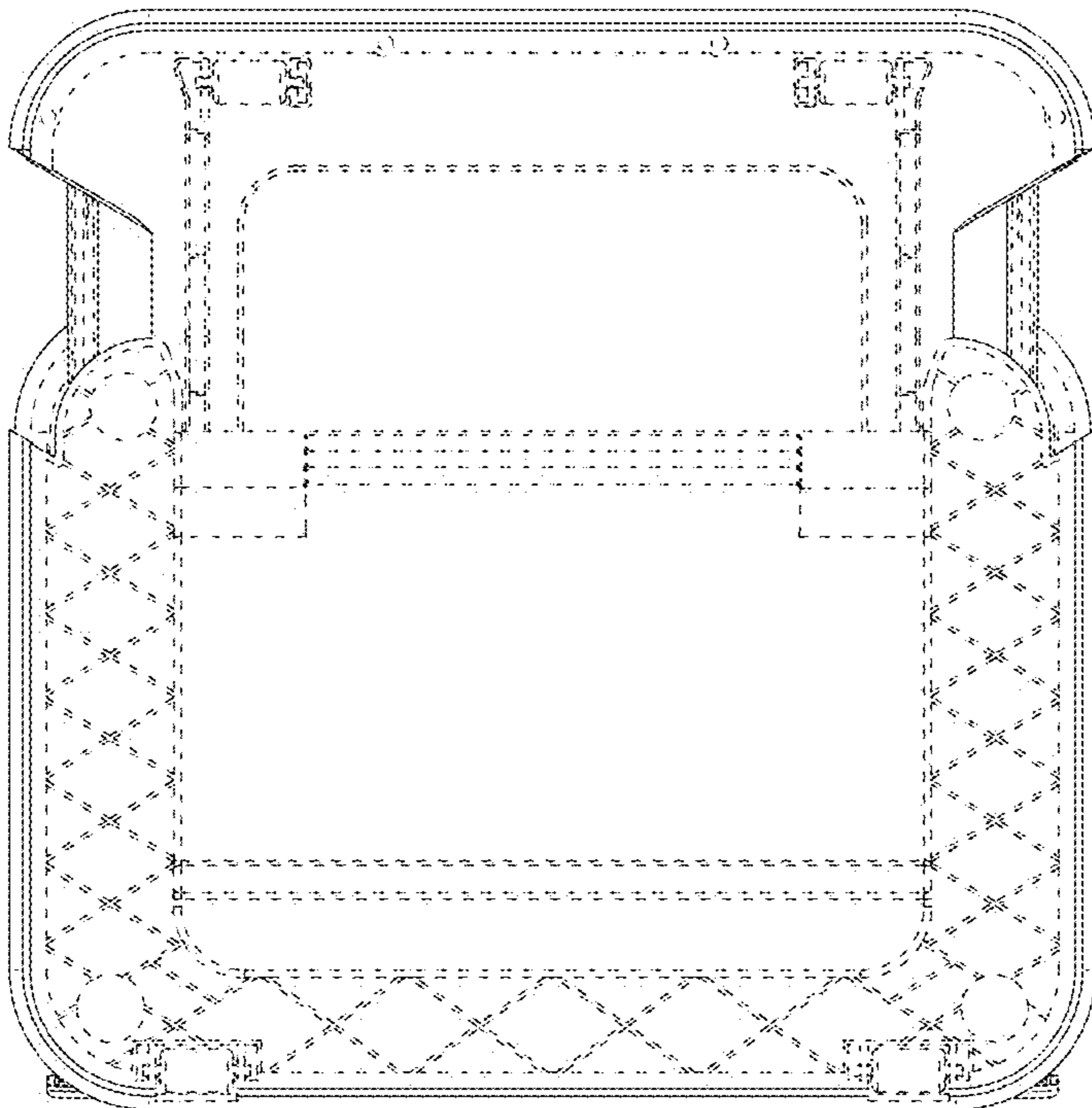


Fig. 8