



US00D733382S

(12) **United States Design Patent**
Bos et al.

(10) **Patent No.:** **US D733,382 S**
(45) **Date of Patent:** **** Jun. 30, 2015**

(54) **DISPENSER**

(56) **References Cited**

(71) Applicant: **Reckitt Benckiser LLC**, Parsippany, NJ
(US)

U.S. PATENT DOCUMENTS

(72) Inventors: **Randy Bos**, Eindhoven (NL); **Taco Dietvorst**, Eindhoven (NL); **James C. O'Hara**, Hamburg, NY (US); **Christopher Leonard Padain**, Henley on Thames (GB); **Stephanie Anne Marije Verschoor**, Brentford (GB)

D168,595 S *	1/1953	Roop	D32/75
D218,147 S *	7/1970	Jordan	D9/523
D255,920 S *	7/1980	Antonell	D23/215
4,274,563 A *	6/1981	Otterson	222/480
D318,778 S *	8/1991	Fiore et al.	D7/591
D399,050 S *	10/1998	Evans	D3/203.2
D408,688 S *	4/1999	Fabry	D7/597
D456,265 S *	4/2002	Spear	D9/502
D471,458 S *	3/2003	Booth et al.	D9/504
D496,830 S *	10/2004	Hockey	D7/591
D567,091 S *	4/2008	Glydon et al.	D9/504
D588,872 S *	3/2009	Gospodarski	D7/591
D668,509 S *	10/2012	Beugelsdijk et al.	D7/615
D689,664 S *	9/2013	Dietvorst et al.	D32/75

(73) Assignee: **Reckitt Benckiser LLC**, Parsippany, NJ
(US)

* cited by examiner

(**) Term: **14 Years**

Primary Examiner — Austin Murphy

(21) Appl. No.: **29/481,963**

(74) *Attorney, Agent, or Firm* — Norris McLaughlin & Marcus PA

(22) Filed: **Feb. 12, 2014**

(57) **CLAIM**

The ornamental design for a dispenser, as shown and described.

(30) **Foreign Application Priority Data**

DESCRIPTION

Aug. 15, 2013 (EM) 002292334-0001

(51) **LOC (10) Cl.** **07-05**

(52) **U.S. Cl.**
USPC **D32/75**

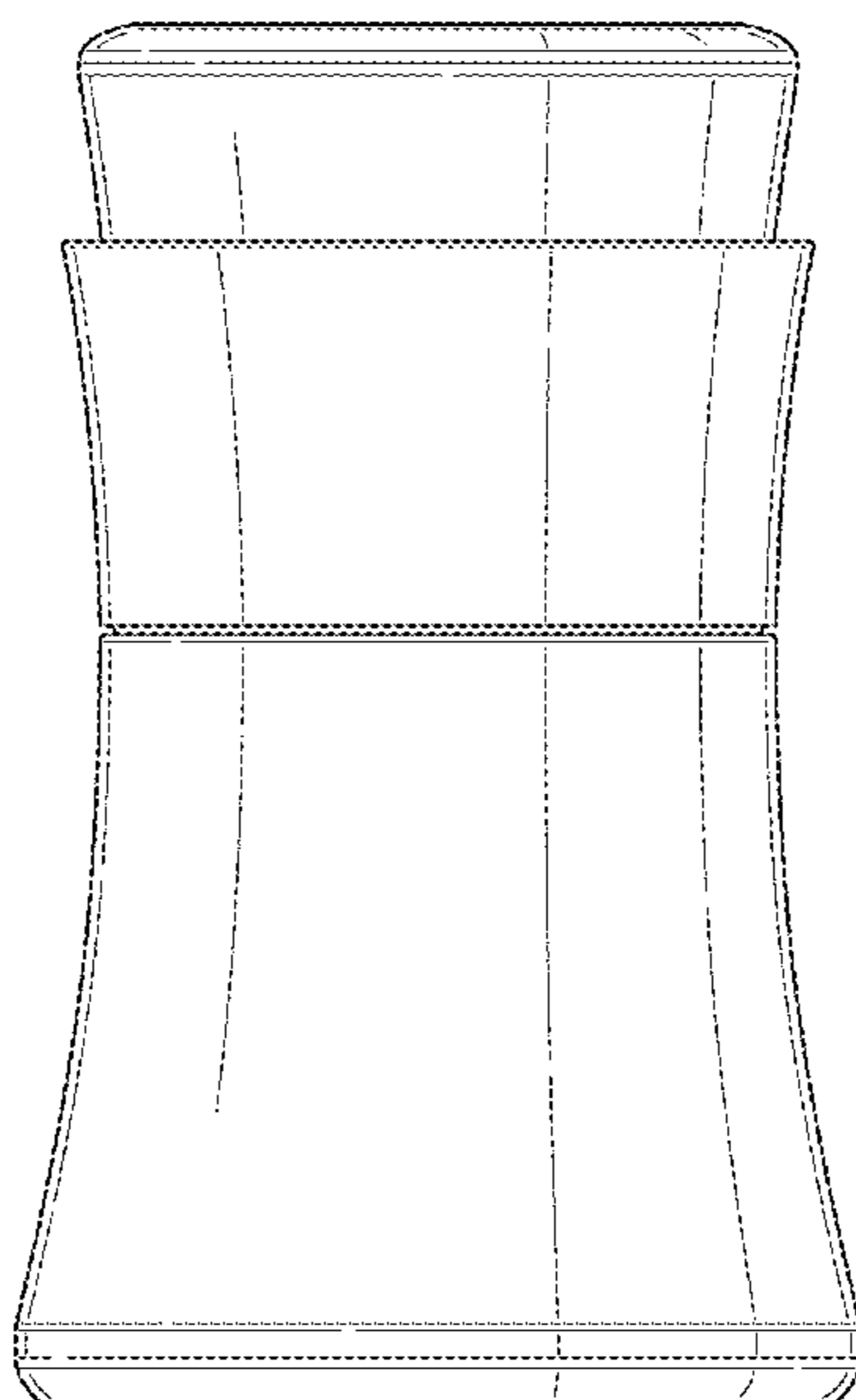
(58) **Field of Classification Search**
USPC D32/75; D23/215, 75, 212; D7/591,
D7/615, 596; D9/502, 504, 523; 222/480,
222/541.6
CPC D06F 5/005; D06F 5/02; D06F 87/005

FIG. 1 is a front and side perspective view of our dispenser;
FIG. 2 is a front elevational view thereof;
FIG. 3 is a rear elevational view thereof;
FIG. 4 is a right side elevational view thereof;
FIG. 5 is a left side elevational view thereof;
FIG. 6 is a top plan view thereof; and,
FIG. 7 is a bottom plan view thereof.

The features shown in broken lines in the drawings are for the purpose of illustrating environmental structure, and form no part of the claimed design.

See application file for complete search history.

1 Claim, 6 Drawing Sheets



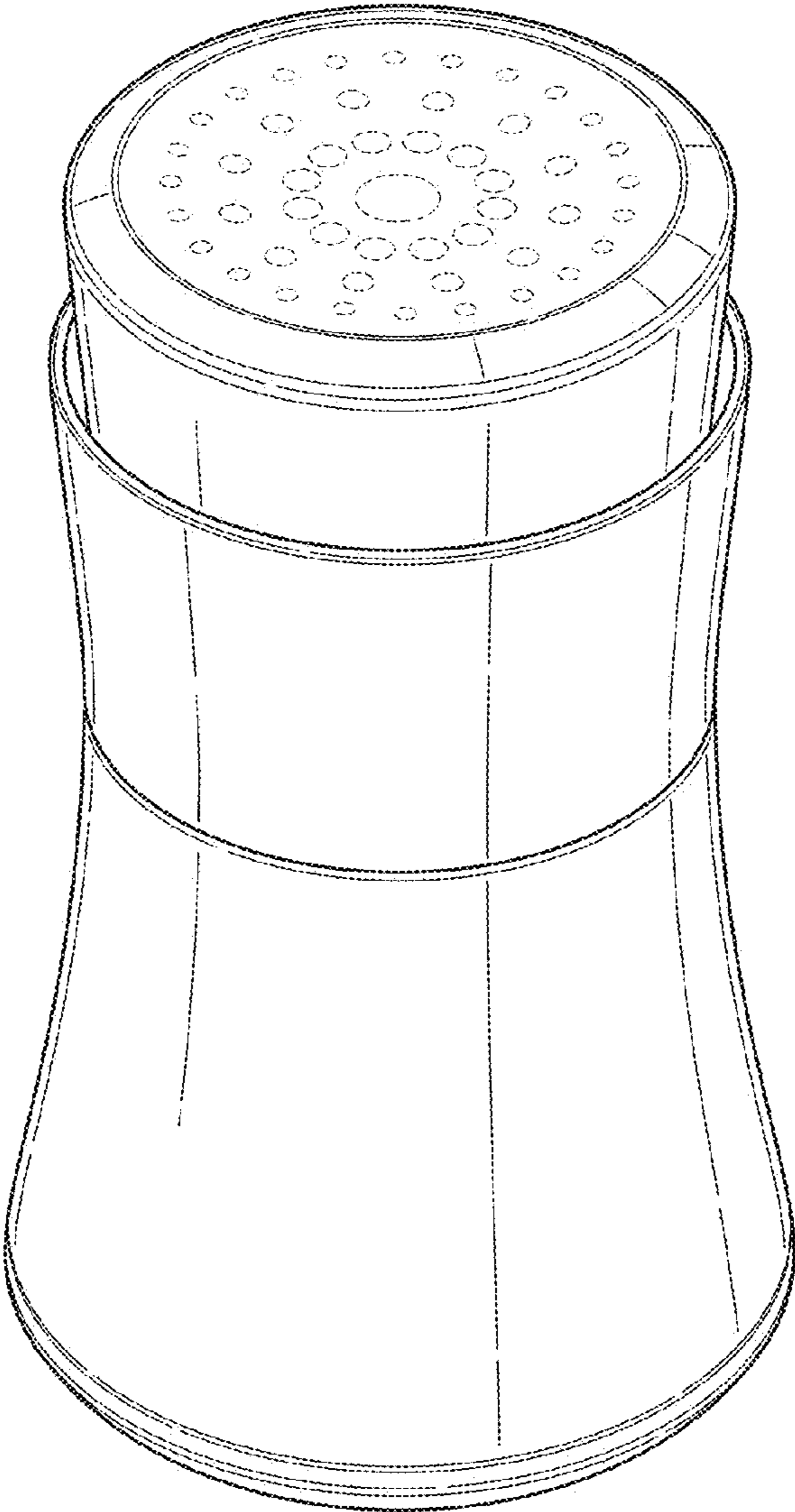


Fig. 1

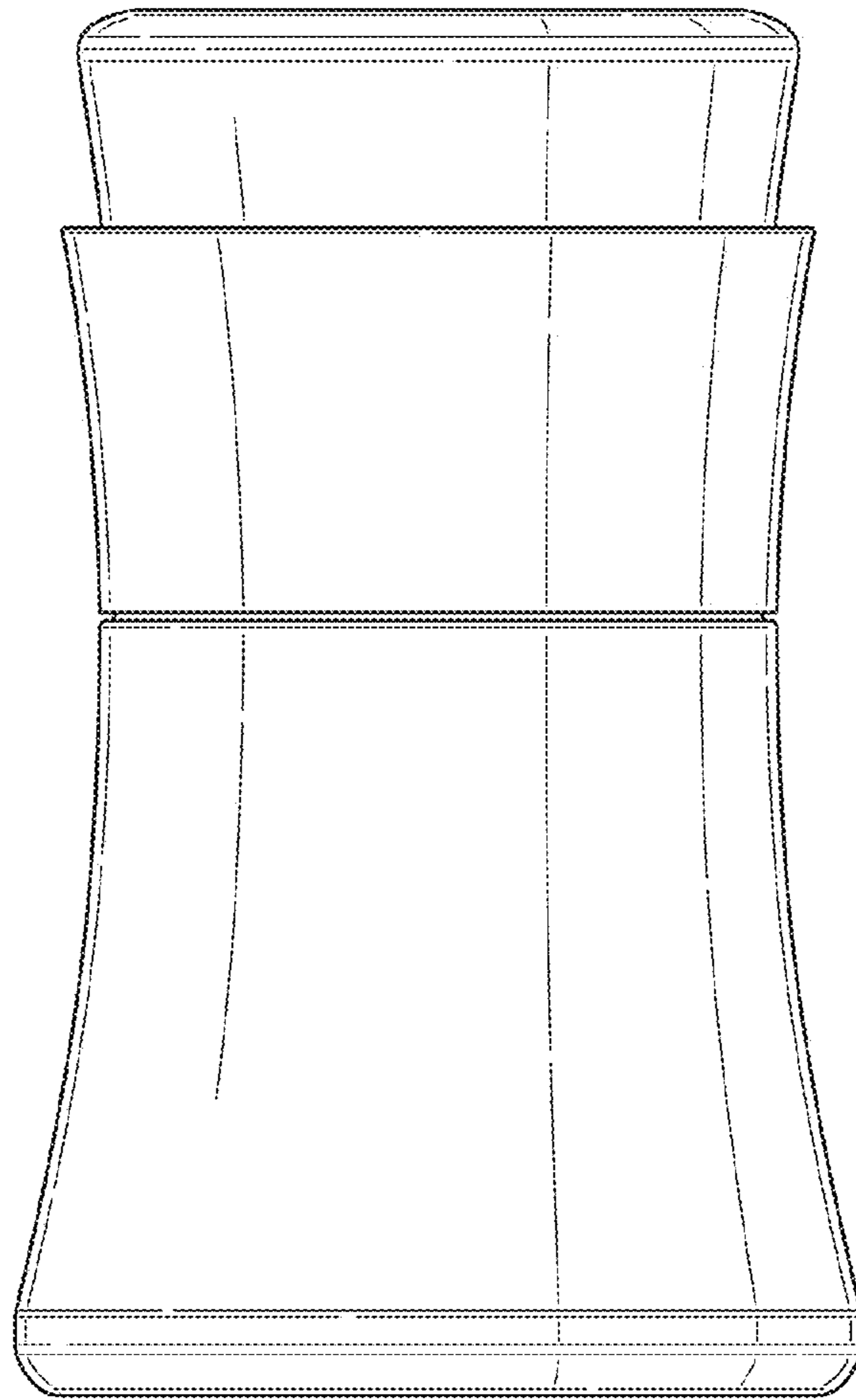


Fig. 2

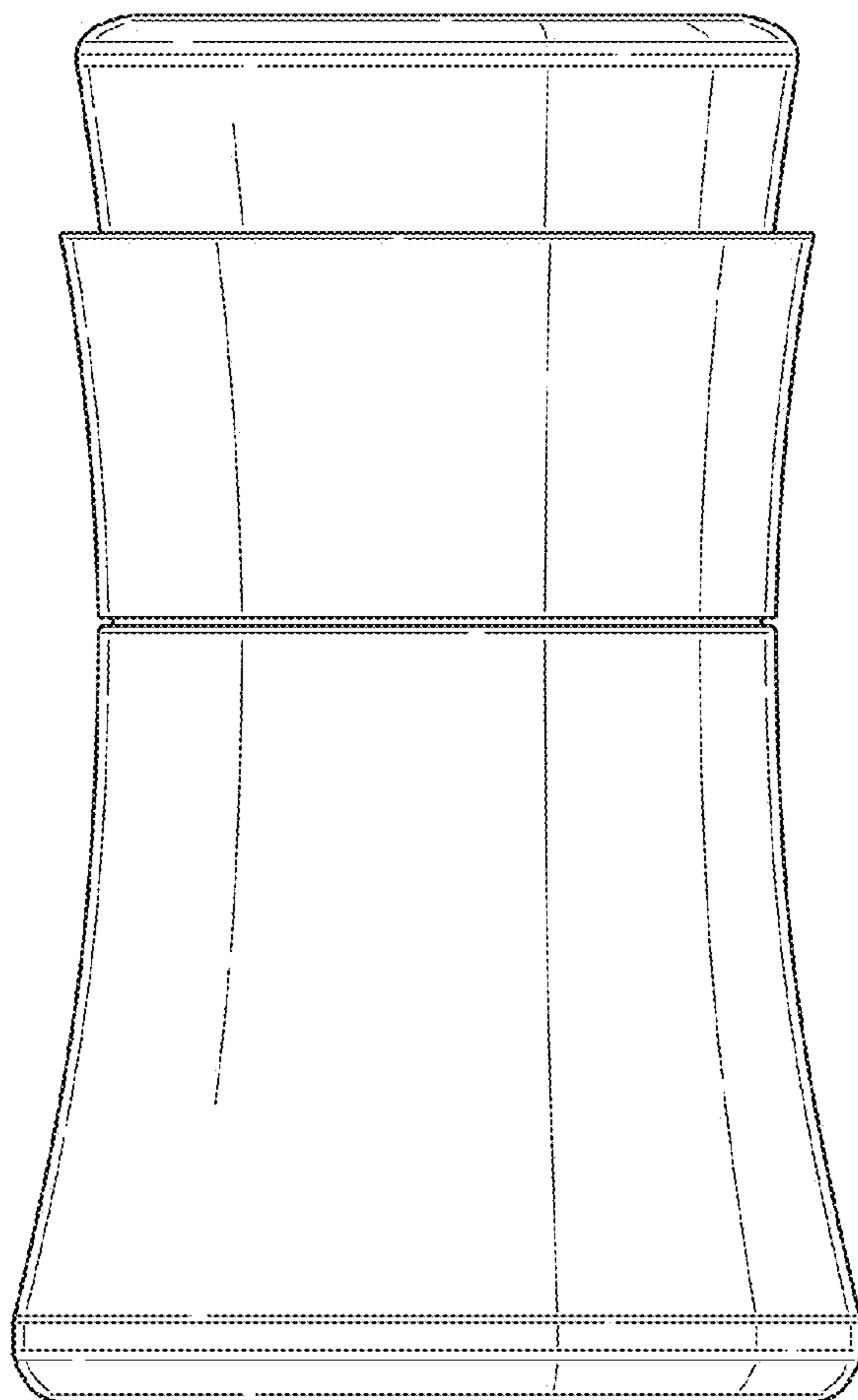


Fig. 3

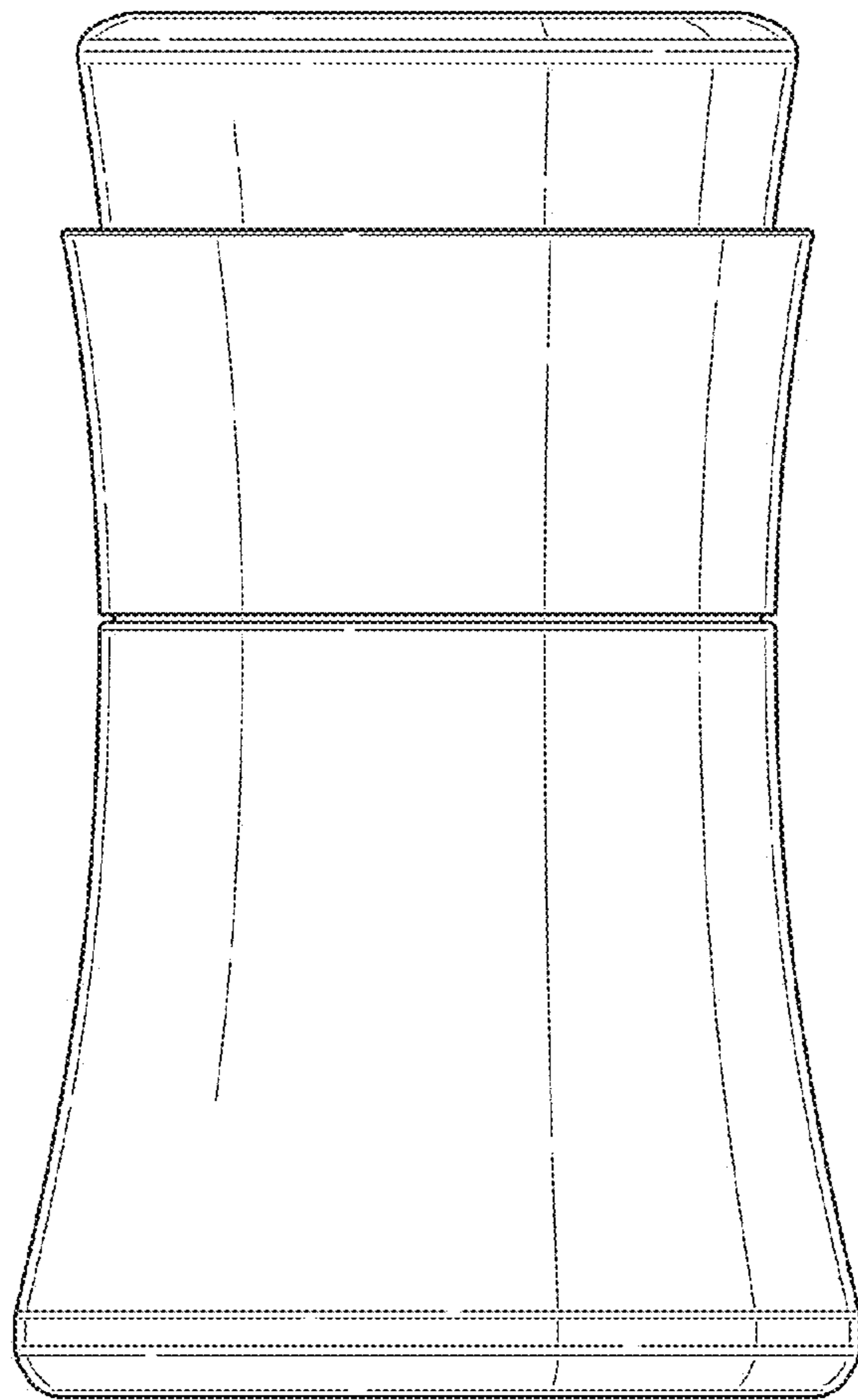


Fig. 4

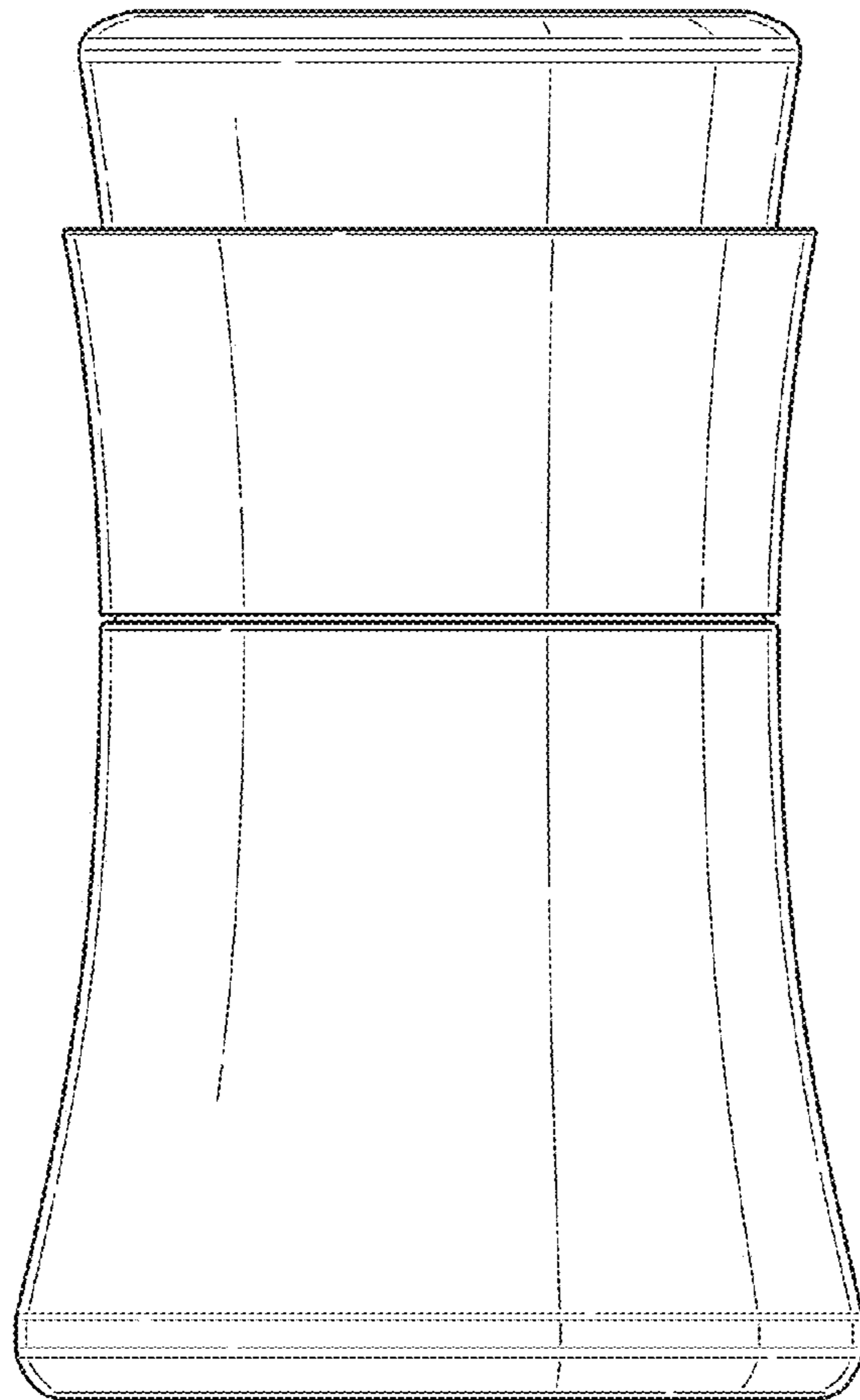


Fig. 5

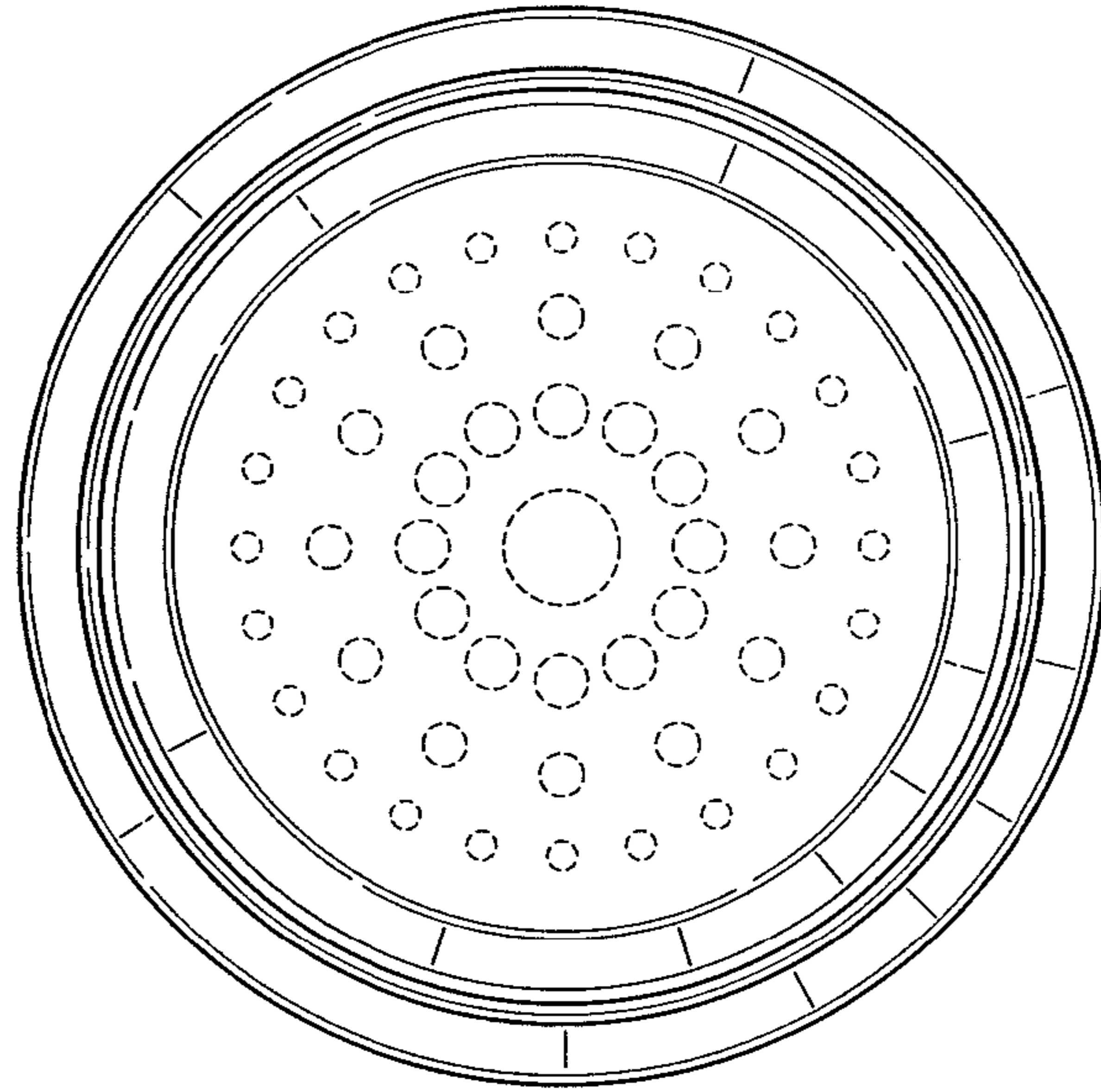


Fig. 6

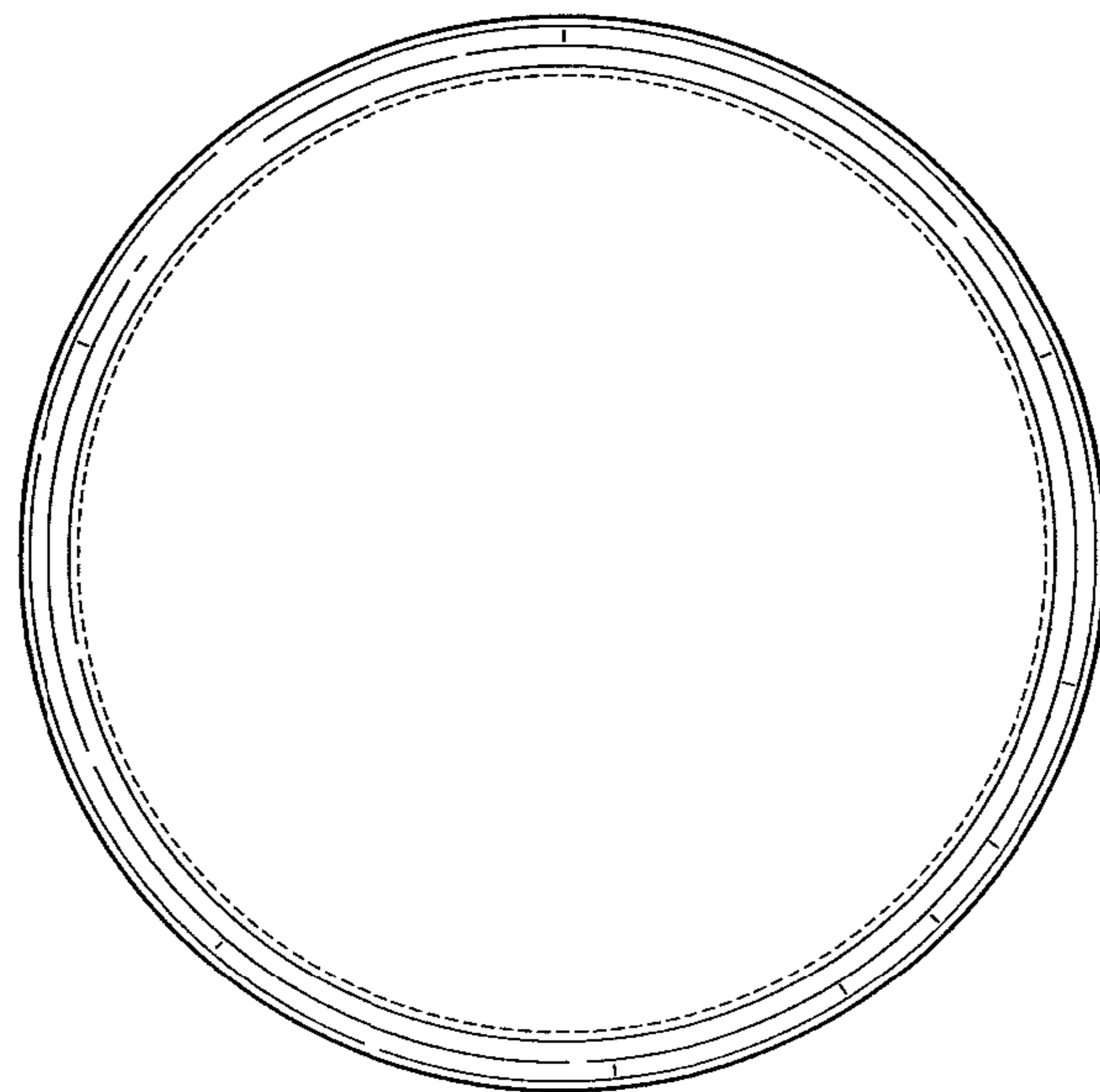


Fig. 7