



US00D733381S

(12) **United States Design Patent**  
**Shalvi**

(10) **Patent No.:** **US D733,381 S**  
(45) **Date of Patent:** **\*\* Jun. 30, 2015**

(54) **IRON**  
(71) Applicant: **Ram Shalvi**, Closter, NJ (US)  
(72) Inventor: **Ram Shalvi**, Closter, NJ (US)  
(\*\*) Term: **14 Years**

D646,446 S \* 10/2011 Raven ..... D32/18  
D646,863 S \* 10/2011 Hosoda et al. .... D32/70  
D653,415 S \* 1/2012 Zegdon ..... D32/70  
D663,087 S \* 7/2012 Grossi ..... D32/70  
D704,913 S \* 5/2014 Choi ..... D32/70  
D707,007 S \* 6/2014 Smith ..... D32/70  
D714,007 S \* 9/2014 La Rovere et al. .... D32/70

(21) Appl. No.: **29/516,411**  
(22) Filed: **Feb. 2, 2015**  
(51) **LOC (10) Cl.** ..... **07-05**  
(52) **U.S. Cl.**  
USPC ..... **D32/70**  
(58) **Field of Classification Search**  
USPC ..... D32/73, 72, 71, 70, 69, 68, 35;  
392/404; 38/97, 96, 93, 88, 77.9,  
38/77.83, 77.82, 77.81, 77.8, 77.7, 77.6,  
38/77.5, 77.3, 77.1; 219/251, 245  
CPC ..... D06F 61/20; D06F 75/14; D06F 75/08;  
D06F 75/38; D06F 75/18; D06F 75/12;  
D06F 75/24  
See application file for complete search history.

**FOREIGN PATENT DOCUMENTS**

EM 001990185 2/2012

\* cited by examiner

*Primary Examiner* — Austin Murphy

(74) *Attorney, Agent, or Firm* — Eaton & Van Winkle LLP;  
Robert D. Katz

(57) **CLAIM**

An ornamental design for an iron, as shown and described.

**DESCRIPTION**

FIG. 1 is a perspective view illustrating my ornamental design for an iron;

FIG. 2 is a front view of the iron shown in FIG. 1;

FIG. 3 is a rear view of the iron shown in FIG. 1;

FIG. 4 is a side view of a representative side of the iron shown in FIG. 1;

FIG. 5 is a top view of the iron shown in FIG. 1; and,

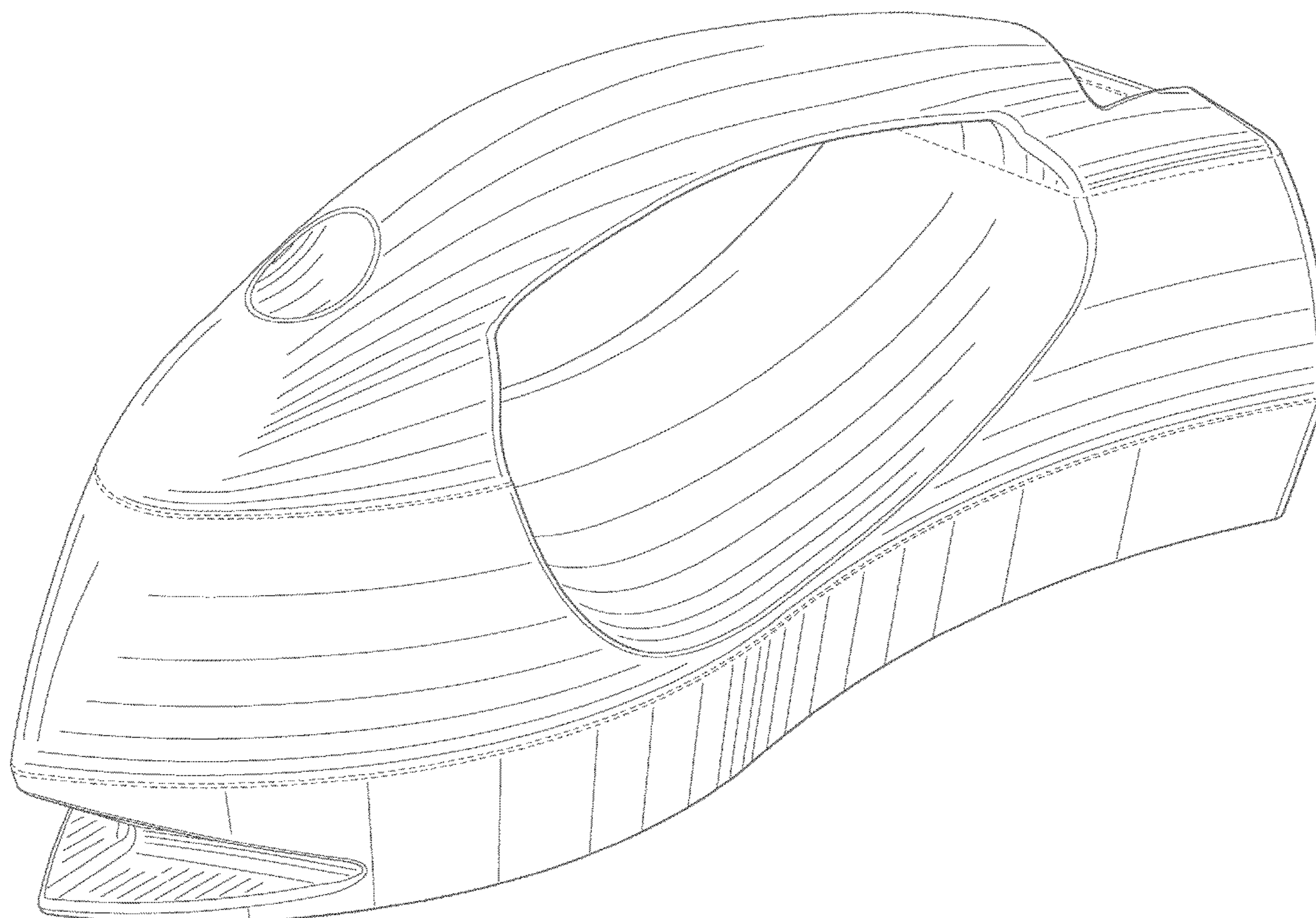
FIG. 6 is a bottom view of the iron shown in FIG. 1.

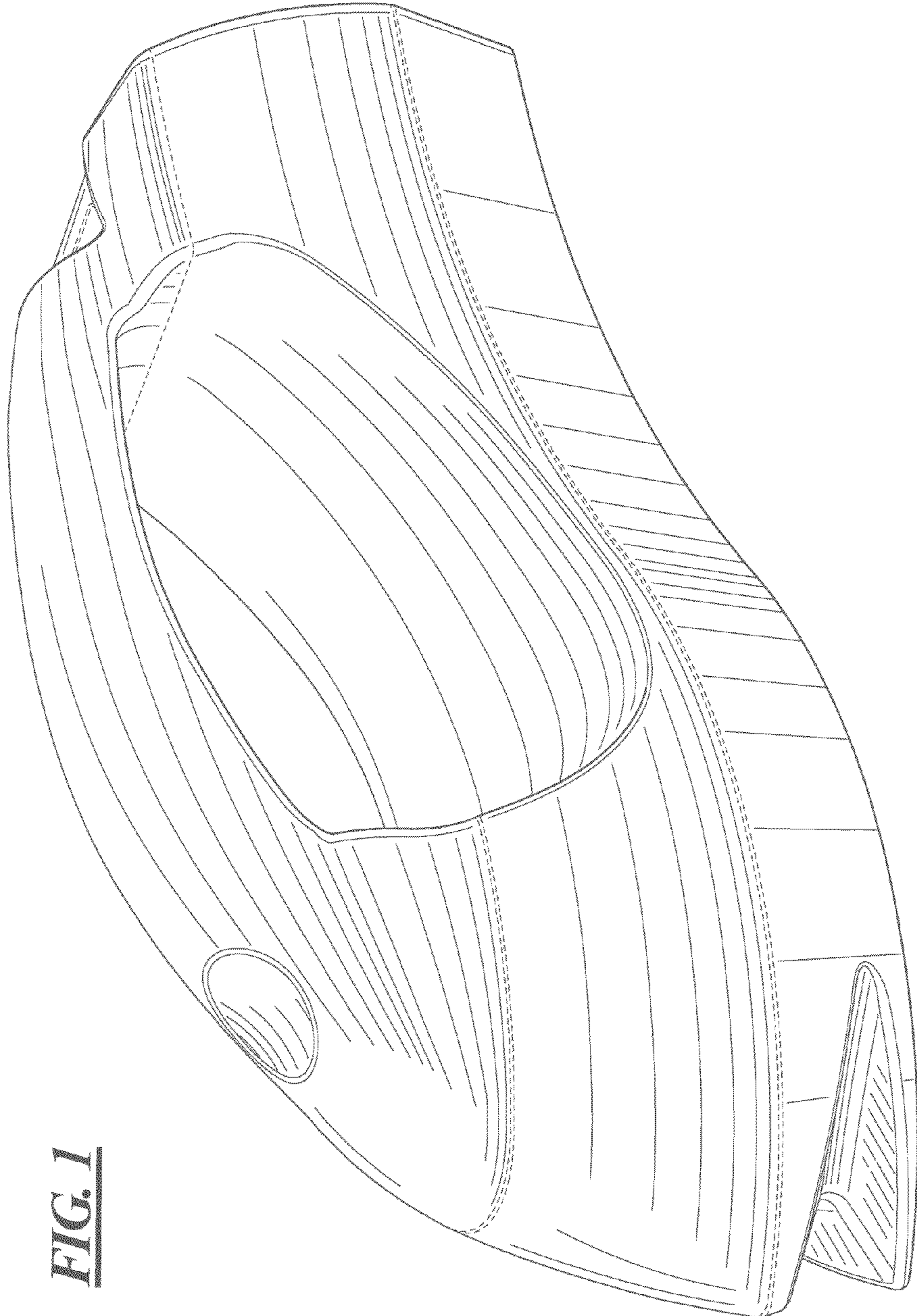
(56) **References Cited**

**U.S. PATENT DOCUMENTS**

D383,850 S \* 9/1997 Machuron ..... D24/215  
D511,232 S \* 11/2005 Barquin Santillan et al. . D32/35  
D531,774 S \* 11/2006 Grossi ..... D32/70  
D594,617 S \* 6/2009 Yeung ..... D32/69

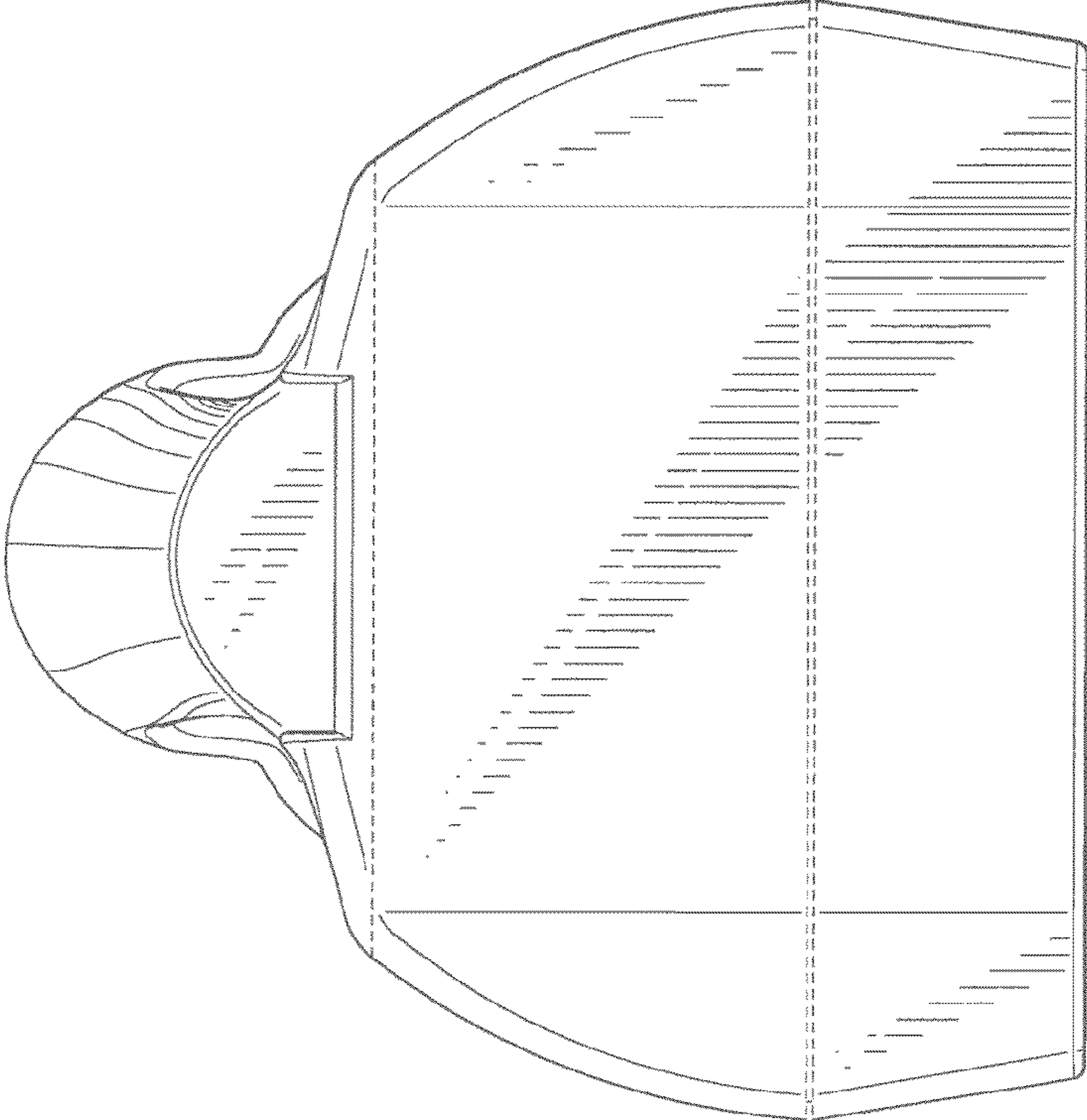
**1 Claim, 5 Drawing Sheets**



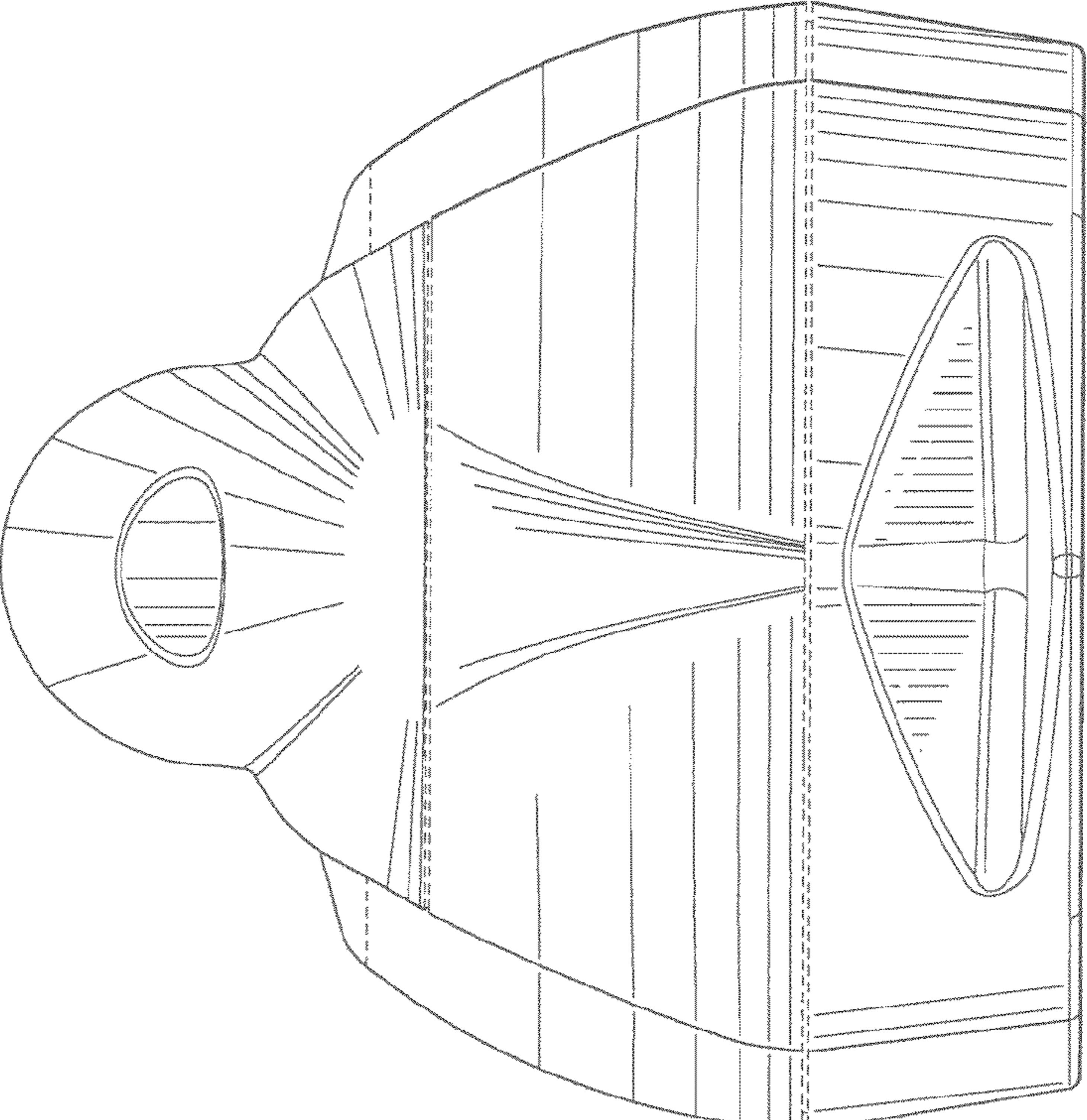


**FIG. 1**

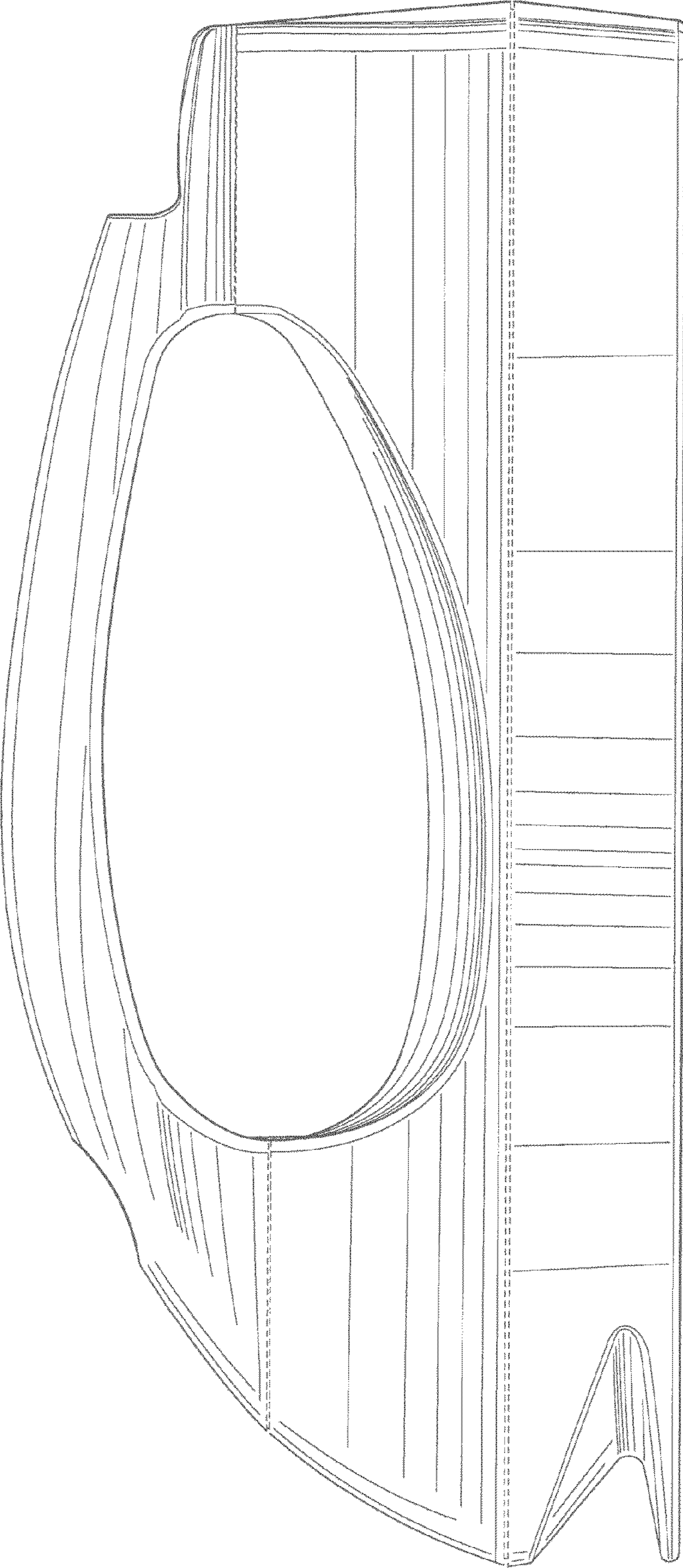
**FIG. 3**

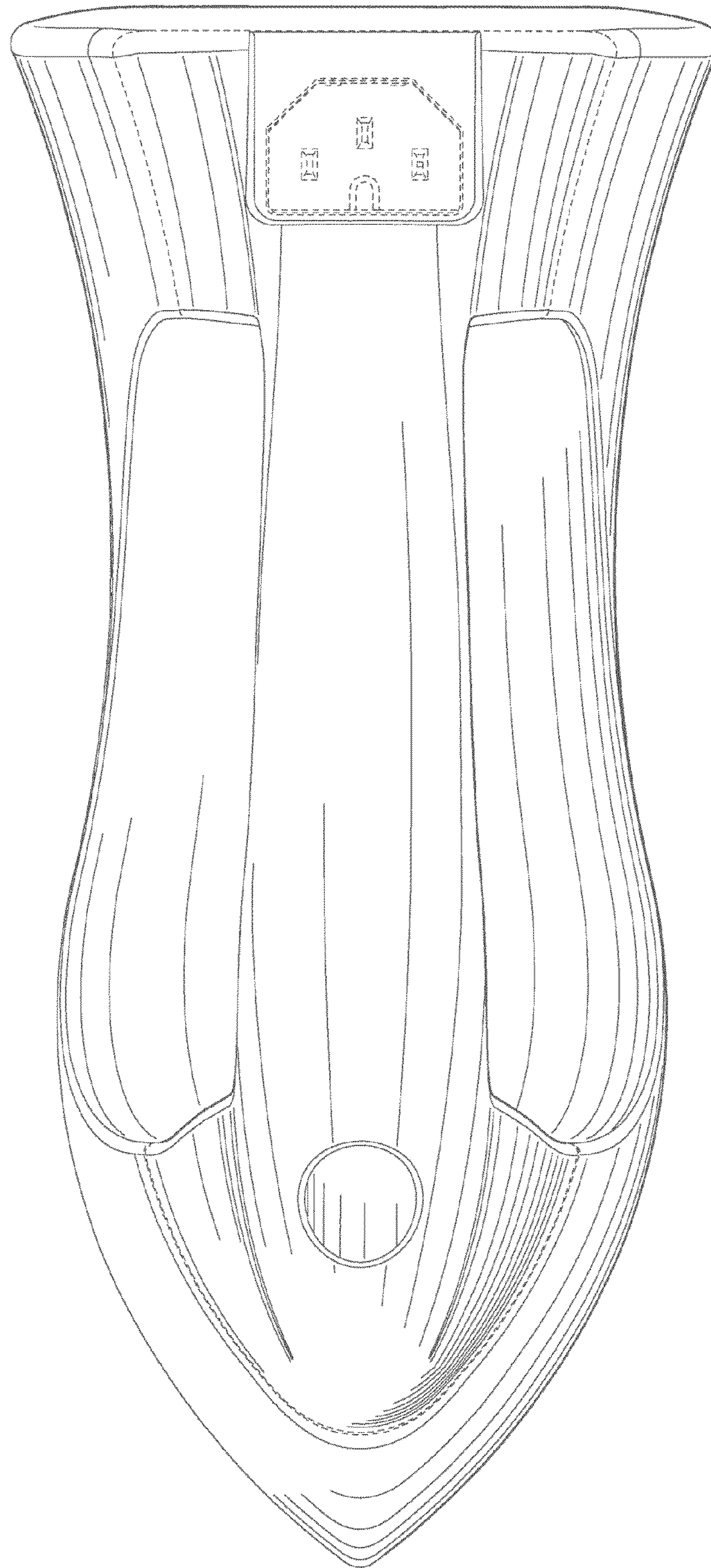


**FIG. 2**



**FIG. 4**





**FIG. 5**

**FIG. 6**

