



US00D733377S

(12) **United States Design Patent**
Bennett et al.

(10) **Patent No.:** **US D733,377 S**
(45) **Date of Patent:** **** Jun. 30, 2015**

- (54) **ATTACHMENT FOR A CLEANER APPARATUS**
- (71) Applicant: **Techtronic Floor Care Technology Limited**, Tortola (VG)
- (72) Inventors: **Samuel W. Bennett**, Birmingham (GB);
Jennifer K. Marsden, Birmingham (GB)
- (73) Assignee: **Techtronic Floor Care Technology Limited**, Tortola (VG)
- (**) Term: **14 Years**
- (21) Appl. No.: **29/479,167**
- (22) Filed: **Jan. 13, 2014**
- (30) **Foreign Application Priority Data**
Jul. 16, 2013 (EM) 002275271
- (51) **LOC (10) Cl.** **15-50**
- (52) **U.S. Cl.**
USPC **D32/33**
- (58) **Field of Classification Search**
USPC D32/17-18, 31-34, 25, 40, 50;
D23/223
CPC E04H 4/1654; A47L 9/02; A47L 9/06;
A47L 9/0606; A47L 9/062; A47L 9/0633;
A47L 9/0693; A47L 11/4086; A47L 11/30;
A47L 7/009; A47L 7/0009; A47L 5/28;
A47L 5/36; A47L 13/225; A47L 13/20;
A47L 13/12; A47L 13/16; A47L 11/4044;
C11D 17/049; C23G 5/04; D06C 7/00;
D06F 75/30; D06F 87/00; B08B 3/02
See application file for complete search history.

- D178,141 S * 6/1956 Martinec D32/33
- D179,671 S * 2/1957 Andersson-Sason D32/33
- D200,194 S * 2/1965 Frost D32/33
- 5,345,651 A * 9/1994 Roberts 15/397
- D369,448 S * 4/1996 de Blois et al. D32/33
- D470,633 S * 2/2003 Kitts D32/33
- D519,696 S * 4/2006 Adams D32/33

(Continued)

OTHER PUBLICATIONS

Co-pending U.S. Appl. No. 29/479,162, filed Jan. 13, 2014.

(Continued)

Primary Examiner — Ruth McInroy

(74) *Attorney, Agent, or Firm* — Michael Best & Friedrich LLP

(57) **CLAIM**

We claim the ornamental design for an attachment for a cleaning apparatus, as shown and described.

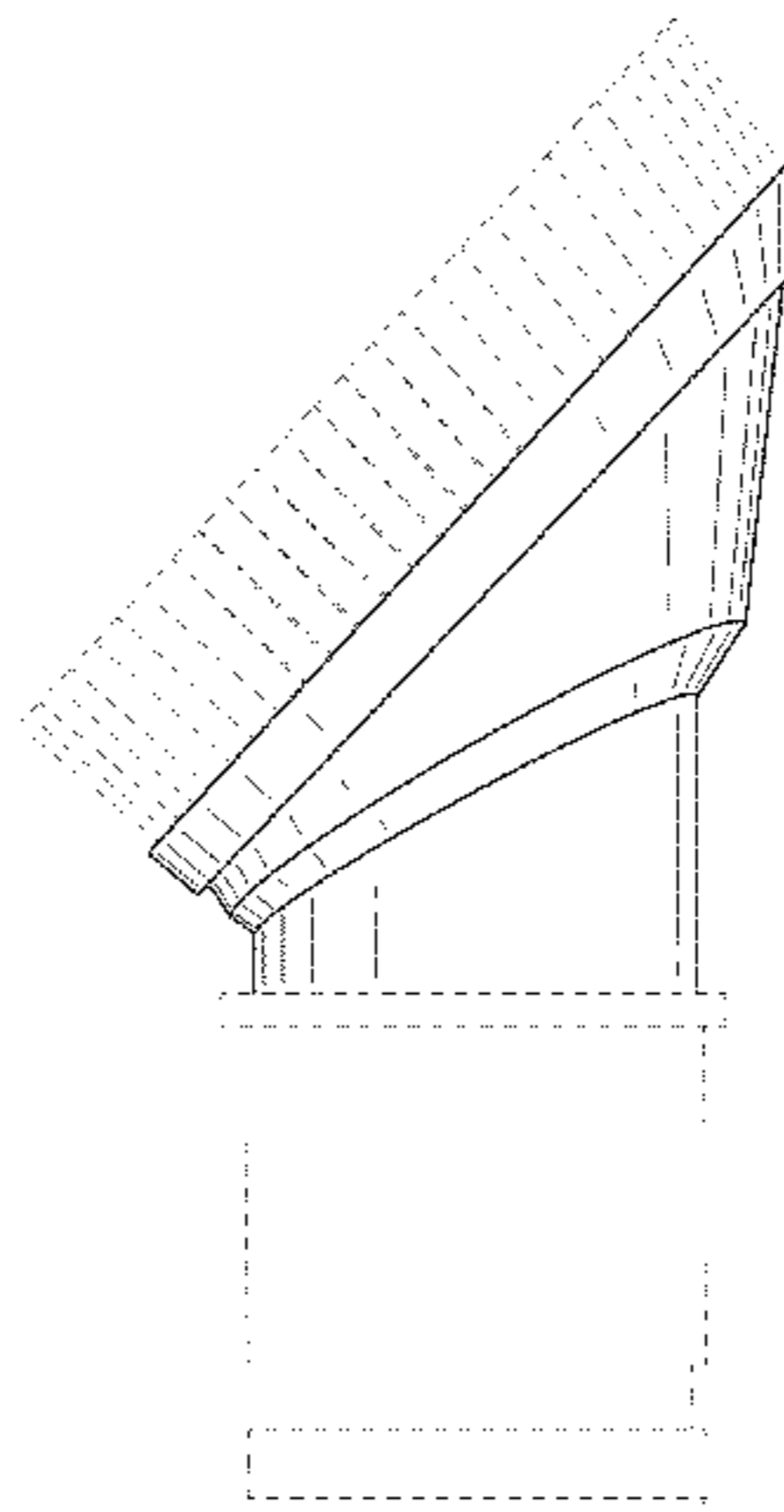
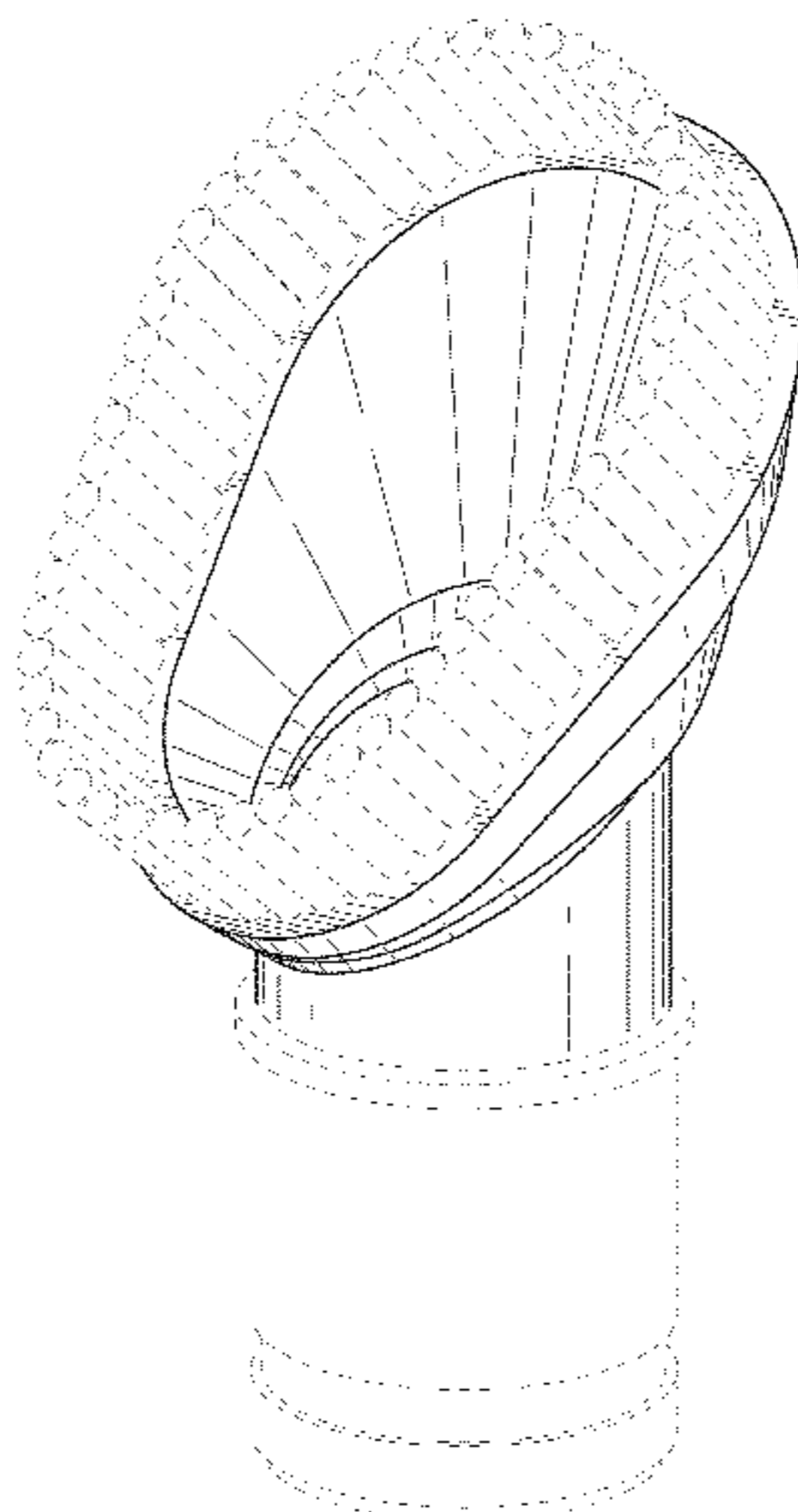
DESCRIPTION

FIG. 1 is a perspective view of an attachment for a cleaning apparatus embodying the invention;
 FIG. 2 is a right side view of the attachment for a cleaning apparatus of FIG. 1;
 FIG. 3 is a left side view of the attachment for a cleaning apparatus of FIG. 1;
 FIG. 4 is a front view of the attachment for a cleaning apparatus of FIG. 1;
 FIG. 5 is a rear view of the attachment for a cleaning apparatus of FIG. 1;
 FIG. 6 is a top view of the attachment for a cleaning apparatus of FIG. 1; and,
 FIG. 7 is a bottom view of the attachment for a cleaning apparatus of FIG. 1.
 The elements shown in broken lines are included for the purpose of illustrating environment and form no part of the claimed design.

1 Claim, 4 Drawing Sheets

(56) **References Cited**
U.S. PATENT DOCUMENTS

- D141,802 S * 7/1945 Wittke D32/33
- D149,060 S * 3/1948 Harvuot D32/33



(56)

References Cited

OTHER PUBLICATIONS

U.S. PATENT DOCUMENTS

D520,202	S	*	5/2006	Dyson et al.	D32/33
D565,261	S	*	3/2008	Peace	D32/31
D603,570	S	*	11/2009	Svantesson et al.	D32/32
D621,566	S	*	8/2010	Crawley et al.	D32/33
D659,923	S	*	5/2012	Dyson	D32/33
D712,609	S	*	9/2014	Crawley	D32/33

Co-pending U.S. Appl. No. 29/479,165, filed Jan. 13, 2014.

Co-pending U.S. Appl. No. 29/479,166, filed Jan. 13, 2014.

* cited by examiner

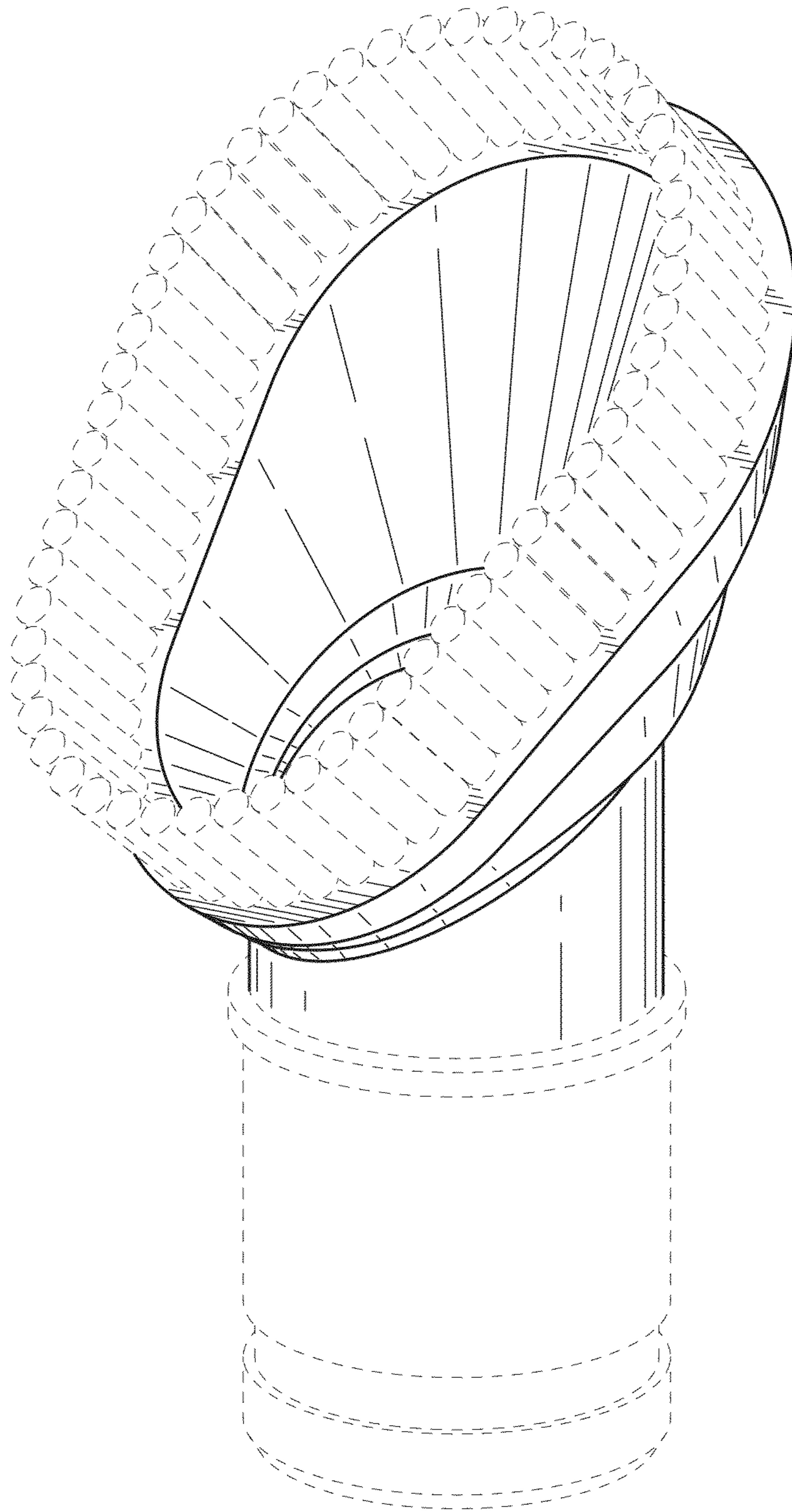


FIG. 1

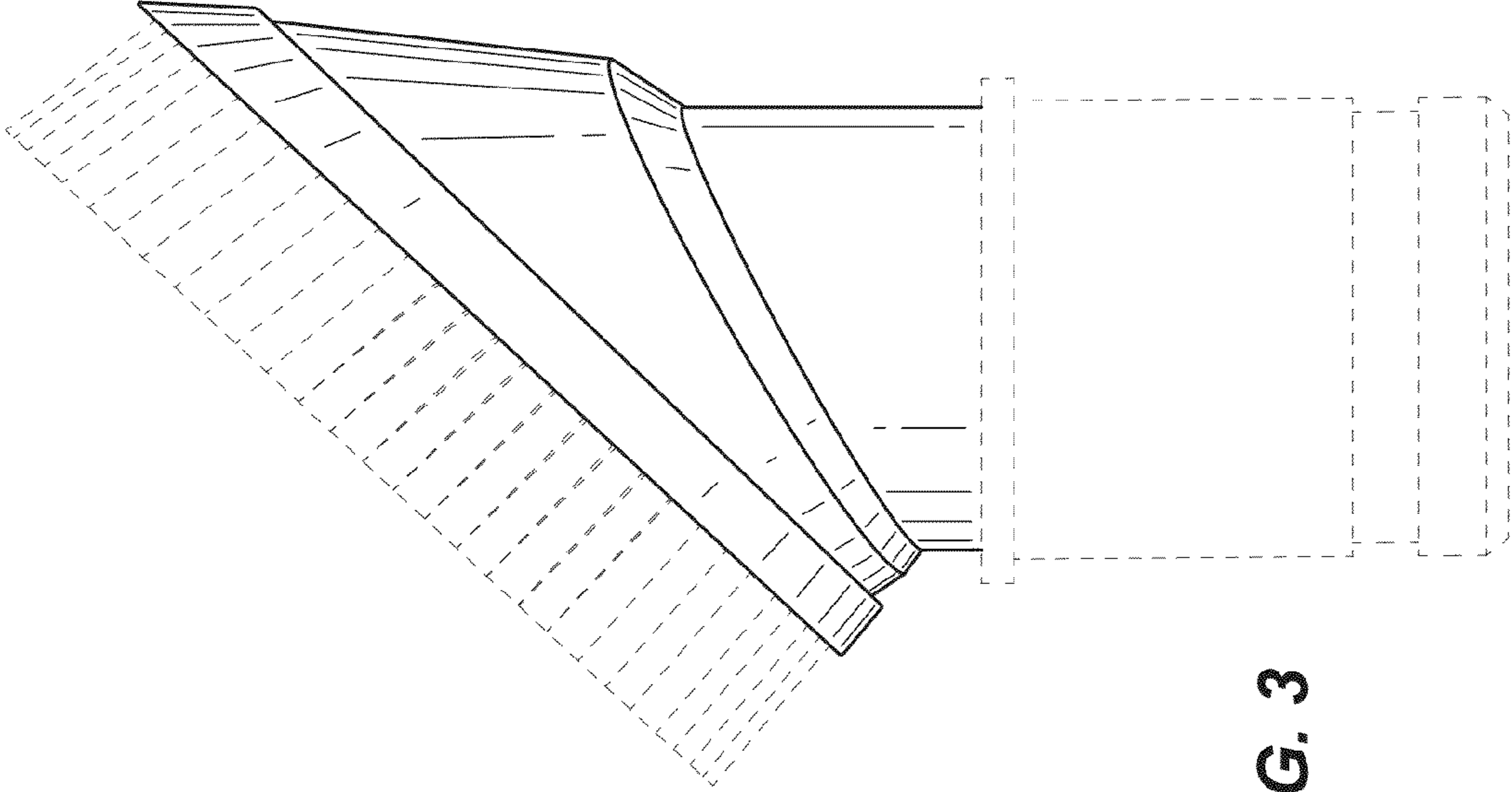


FIG. 3

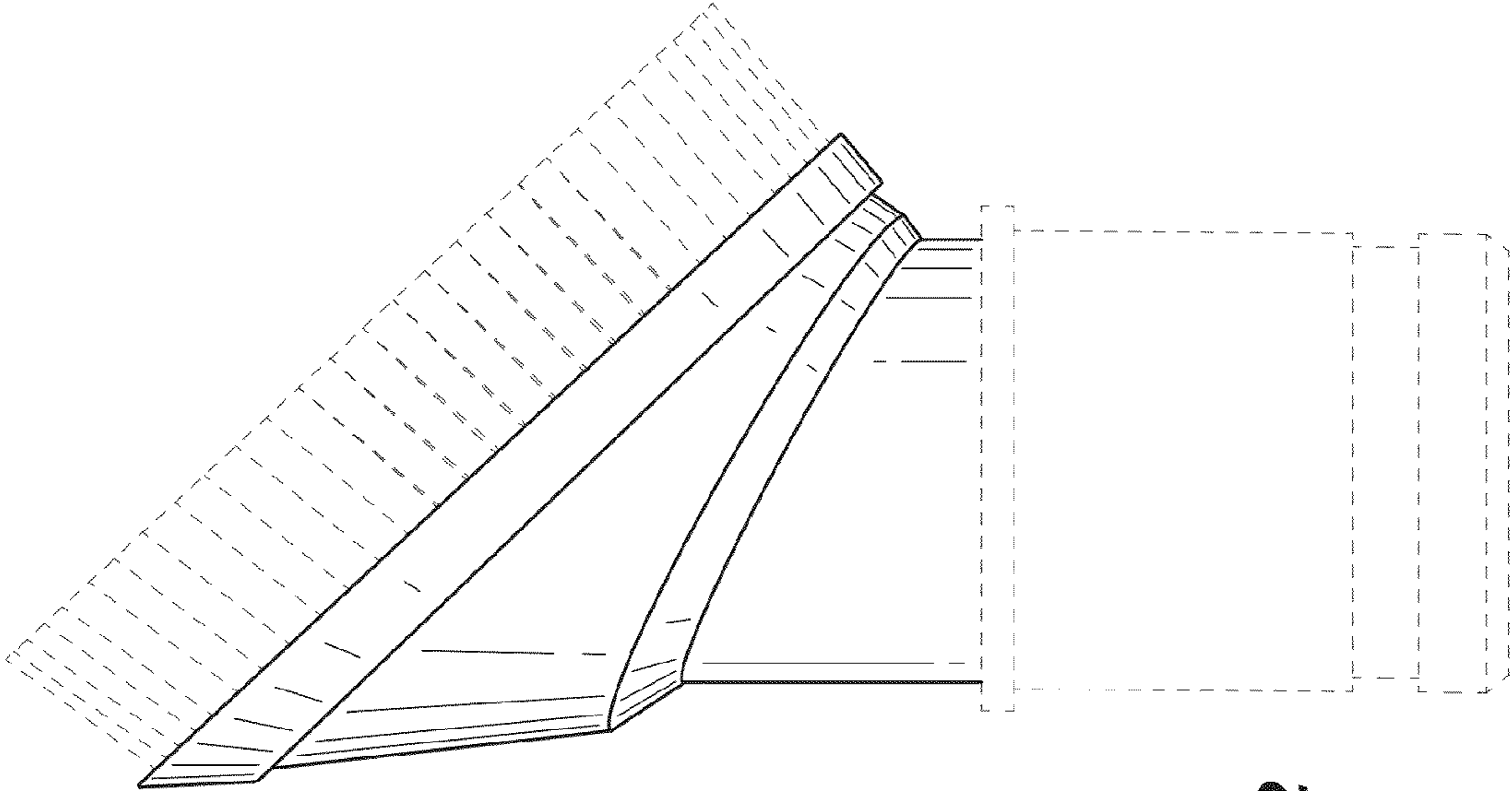


FIG. 2

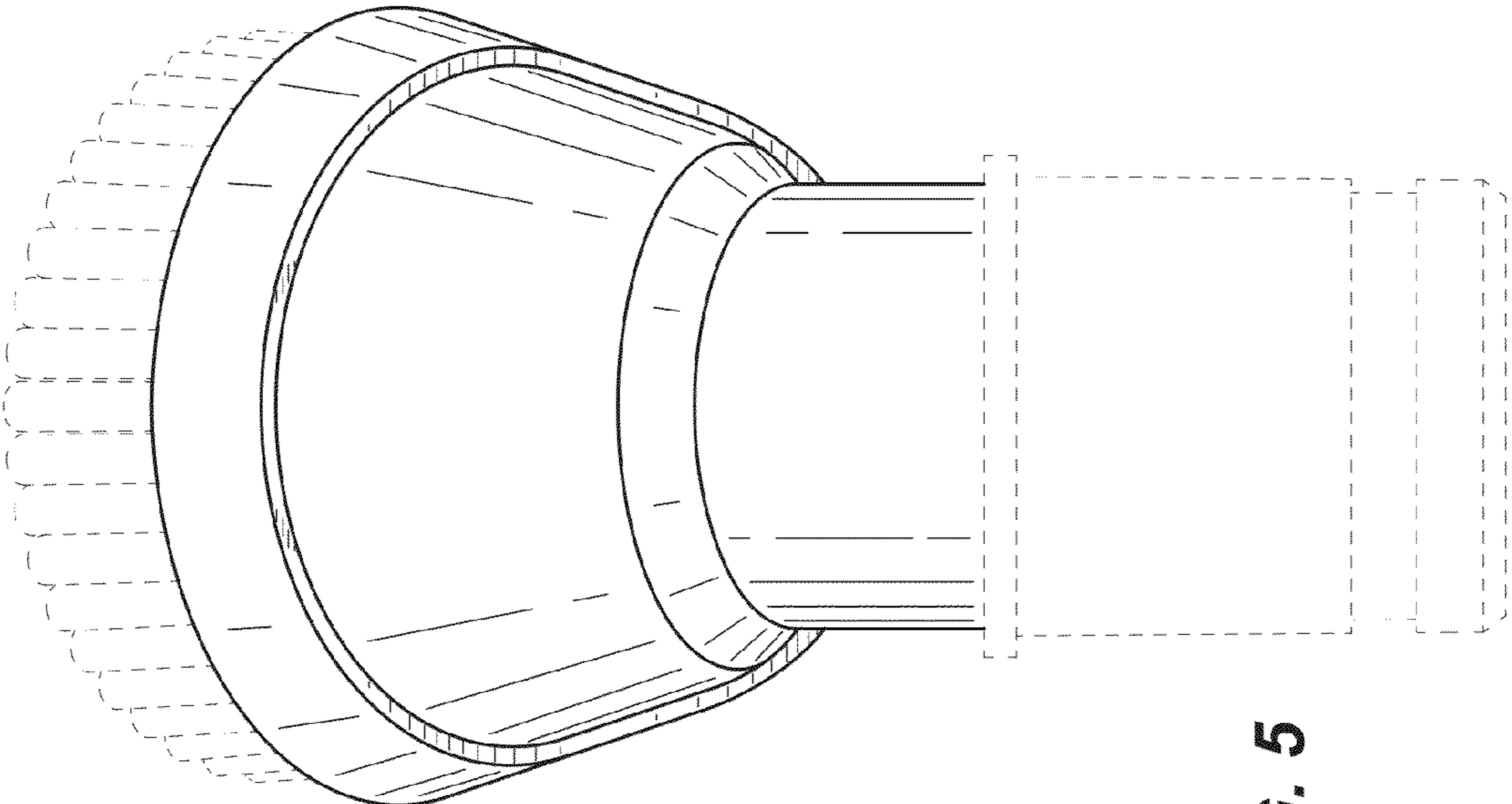


FIG. 5

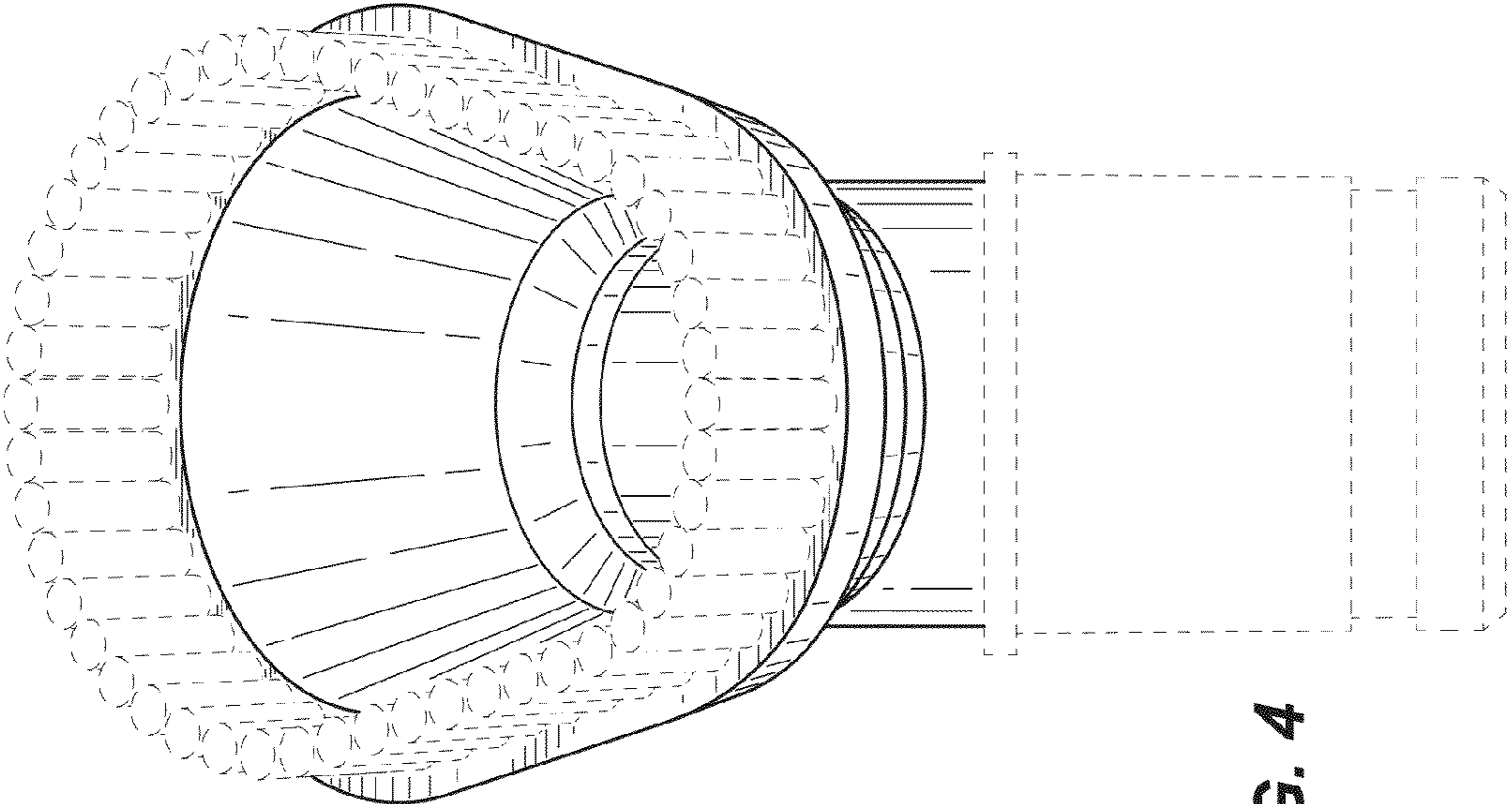


FIG. 4

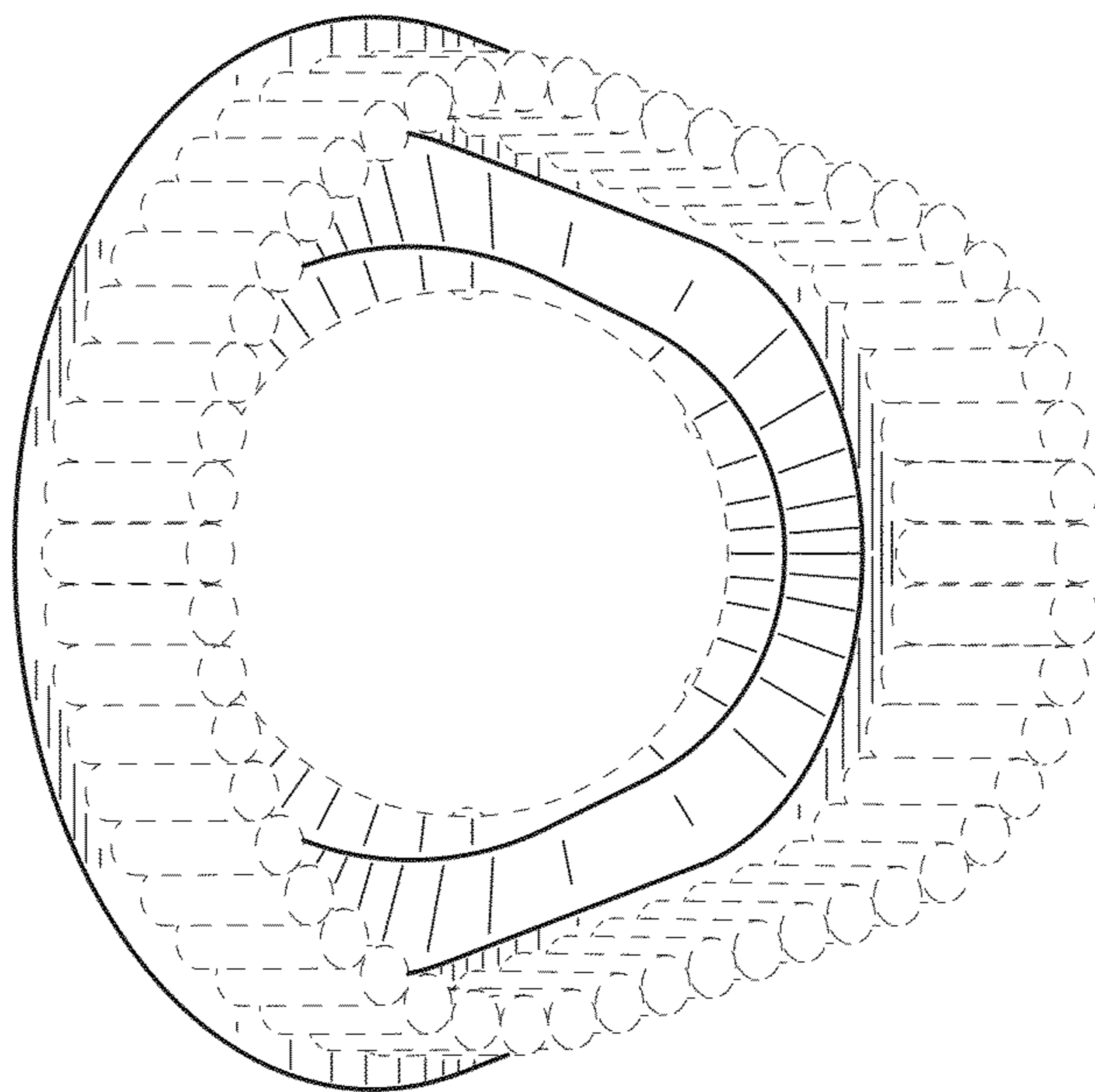


FIG. 6

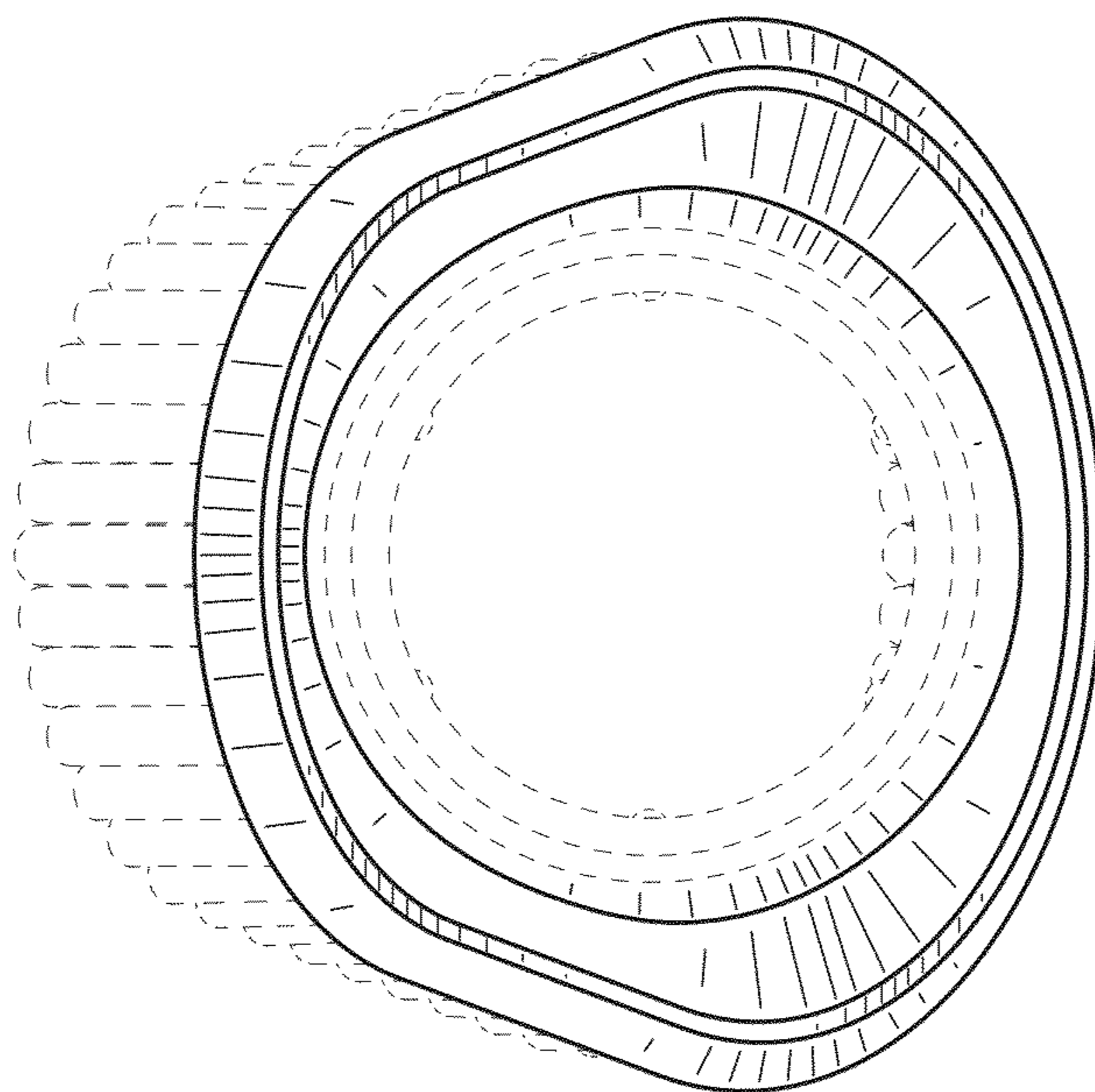


FIG. 7