

US00D733375S

(12) **United States Design Patent**
Uk et al.

(10) **Patent No.:** **US D733,375 S**
(45) **Date of Patent:** **** Jun. 30, 2015**

(54) **WASHING MACHINE**

(71) Applicant: **Samsung Electronics Co., Ltd.**,
Suwon-si, Gyeonggi-do (KR)

(72) Inventors: **Jung Sang Uk**, Seoul (KR); **Sei-ill Jeon**,
Gimposi (KR)

(73) Assignee: **SAMSUNG ELECTRONICS CO., LTD.** (KR)

(**) Term: **14 Years**

(21) Appl. No.: **29/477,385**

(22) Filed: **Dec. 20, 2013**

(30) **Foreign Application Priority Data**

Jun. 21, 2013 (KR) 30-2013-0032140

(51) **LOC (10) Cl.** **15-05**

(52) **U.S. Cl.**
USPC **D32/28**

(58) **Field of Classification Search**
USPC D28/3, 6, 25, 28; D15/199; D13/162,
D13/162.1, 177; 68/12.02, 12.25, 3 R, 139,
68/212; D7/348, 351, 406; 34/87-88, 524;
D12/181, 303-307, 315, 317
See application file for complete search history.

(56) **References Cited**

U.S. PATENT DOCUMENTS

D85,241 S * 9/1931 Henderson D12/191
D102,974 S * 1/1937 Pritchard D12/191
3,114,571 A * 12/1963 Leflet, Jr. et al. 296/84.1
3,336,969 A * 8/1967 Marchman 160/370.21
D212,531 S * 10/1968 Stephen D12/181
D239,168 S * 3/1976 Hart D12/181
5,199,367 A * 4/1993 Horiuchi et al. 114/61.21
D366,639 S * 1/1996 Horwill D12/181
5,601,050 A * 2/1997 Erskine et al. 114/361

D382,735 S * 8/1997 Zapf D6/492
D393,616 S * 4/1998 Flanagan D12/181
D401,199 S * 11/1998 Kovach et al. D12/181

(Continued)

FOREIGN PATENT DOCUMENTS

CN 301939300 * 5/2012

OTHER PUBLICATIONS

Chris-Craft Boats: Retro-New, article date Dec. 31, 2011, online,
<http://features.boats.com/boat-content/2011/12/chris-craft-boats-retro-new/>, [site visited Mar. 12, 2015 4:12:25 PM].*

(Continued)

Primary Examiner — John Windmuller

Assistant Examiner — John R Yeh

(74) *Attorney, Agent, or Firm* — Cantor Colburn LLP

(57) **CLAIM**

We claim, the ornamental design for a washing machine, as shown and described.

DESCRIPTION

FIG. 1 is a perspective view of a washing machine showing our new design;

FIG. 2 is a front view thereof;

FIG. 3 is a rear view thereof;

FIG. 4 is a side view thereof;

FIG. 5 is a another side view thereof;

FIG. 6 is a top plan view thereof; and,

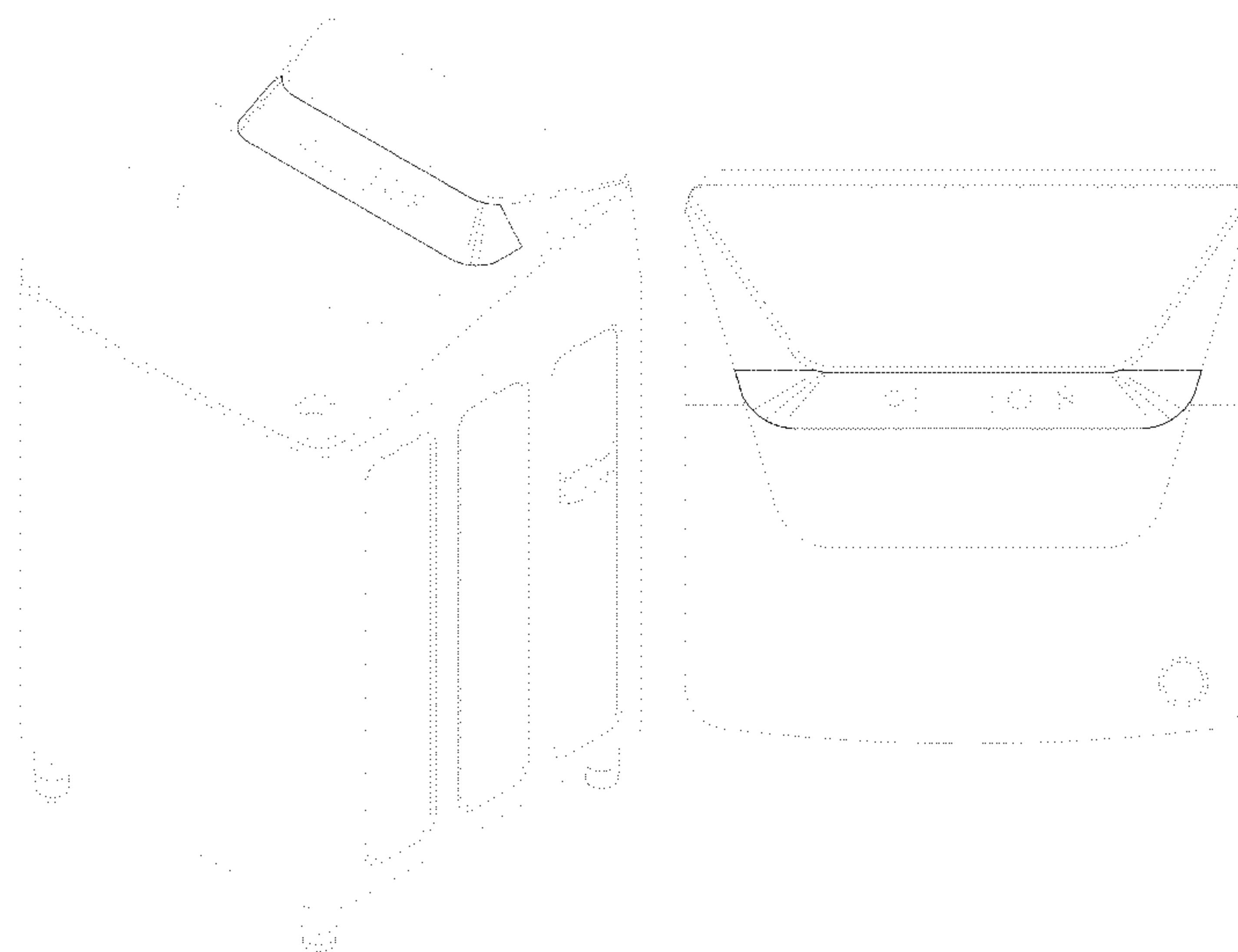
FIG. 7 is a bottom plan view thereof.

The broken lines are for illustrative purposes only and form no part of the claimed design. The dash dot lines represent the boundaries of the claim.

The shade lines in the figures show contours of the surfaces of the design.

References to “side”, “top”, and “bottom” in the figure descriptions are not meant to require certain in-use orientation; a washing machine according to the claimed design may be used in any orientation.

1 Claim, 7 Drawing Sheets



(56)

References Cited

U.S. PATENT DOCUMENTS

D480,340	S *	10/2003	Iverson et al.	D12/181
6,836,925	B1 *	1/2005	Swanepoel	15/250.361
D563,854	S *	3/2008	Stuart	D12/191
D568,563	S *	5/2008	Stephens	D32/28
D570,754	S *	6/2008	Kim et al.	D12/181
D614,013	S *	4/2010	Saubert et al.	D8/317
D616,281	S *	5/2010	Eng	D8/300
D705,506	S *	5/2014	Kwack et al.	D32/28
D705,744	S *	5/2014	Porter et al.	D13/177
D722,544	S *	2/2015	Ito et al.	D12/181
2011/0163999	A1 *	7/2011	Lin	345/176

OTHER PUBLICATIONS

Customer Reviews of Automoblox A9-S—White Convertible by Manhattan Toy, review date Jul. 4, 2010, online, https://www.fatbraintoy.com/reviews/toy_companies/manhattan_toy/

automoblox_a9s_convertible.cfm, [site visited Mar. 12, 2015 4:08:43 PM].*

LG Smart ThinQ 4.7 CU. FT. Top Load SmartWasher Preview—CNET, article date Sep. 8, 2013, online, <http://www.cnet.com/products/lg-smart-thinq-4-7-cu-ft-top-load-smartwasher-with-allergiene-model-wt6001hva/>, [site visited Mar. 12, 2015 2:42:35 PM].*

Reviews & Ratings—Top Load Washers WA50F9A8DSP/A2 | Samsung Washers & Dryers, oldest review May 11, 2013, online, <http://www.samsung.com/us/appliances/washers-dryers/WA50F9A8DSP/A2-reviews>, [site visited Mar. 12, 2015 4:03:57 PM].*

Whirlpool Cabrio Platinum Washer Gray WTW8900BC—Best Buy, review date Dec. 10, 2013, online, <http://www.bestbuy.com/...abrio-platinum-4-8-cu-ft-16-cycle-high-efficiency-steam-top-loading-washer-chrome-shadow/2877291.p?id=1219080296180&skuId=2877291>, [site visited Mar. 12, 2015 3:53:20 PM].*

* cited by examiner

FIG. 1

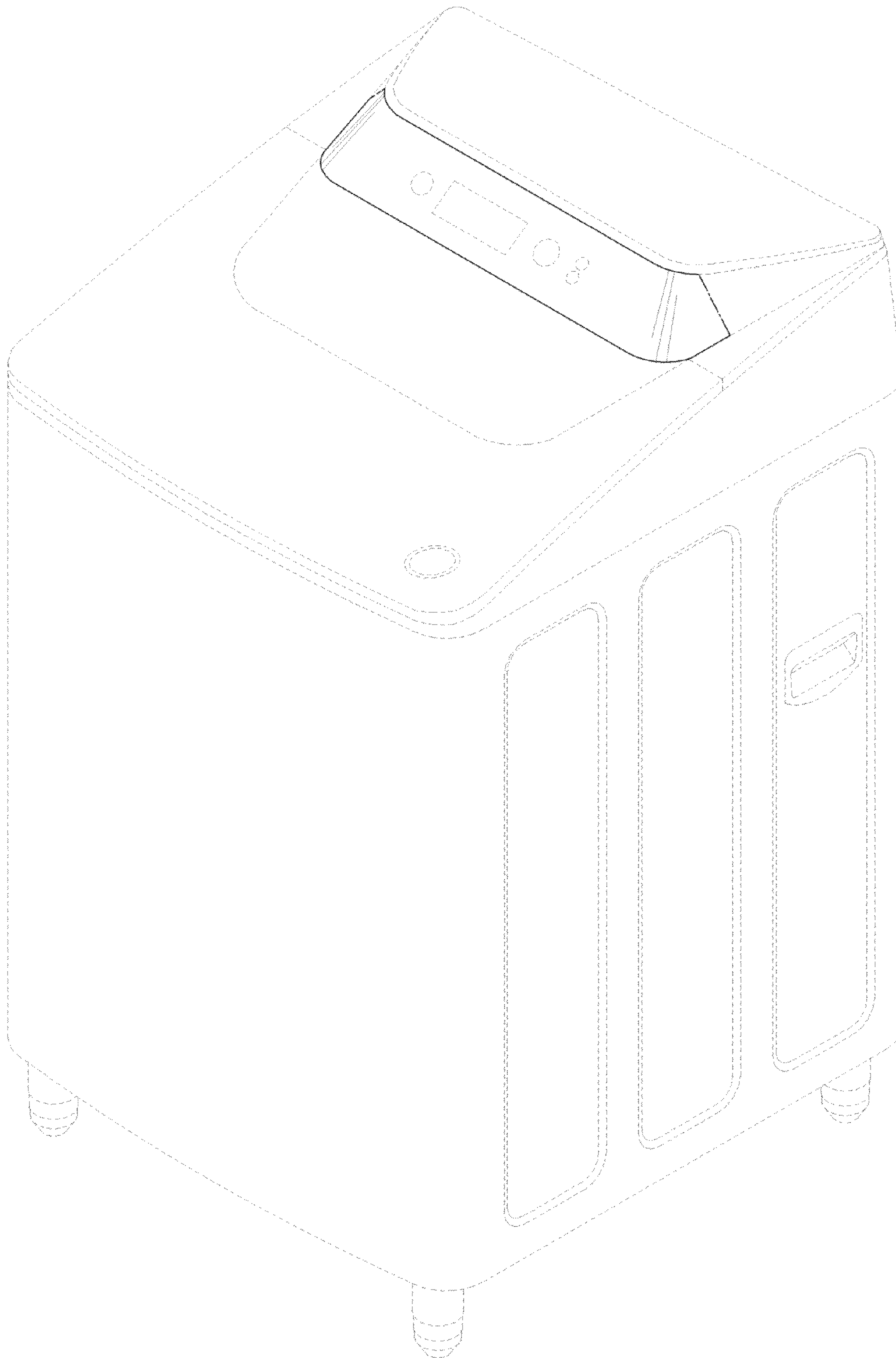


FIG. 2



FIG. 3

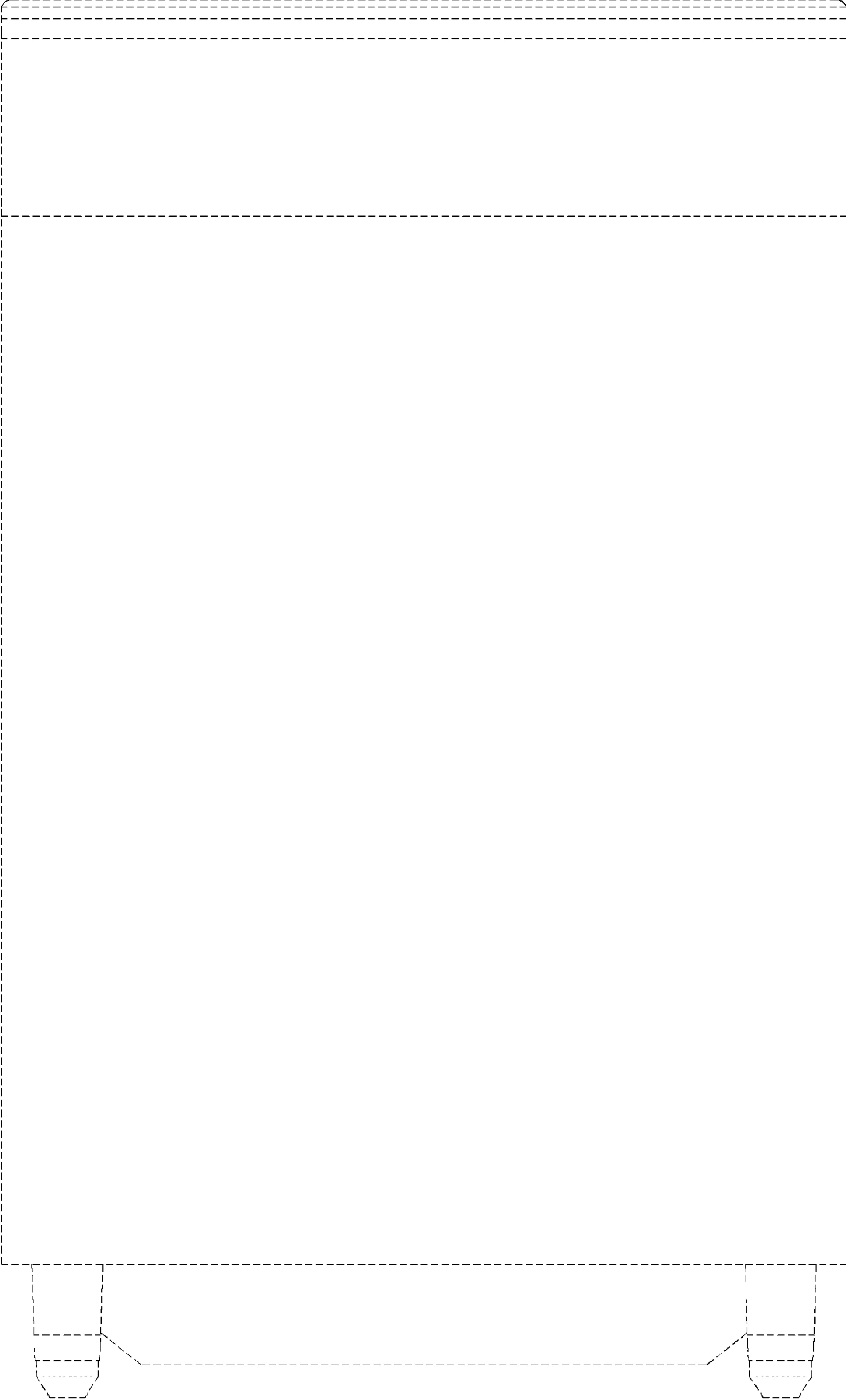


FIG. 4

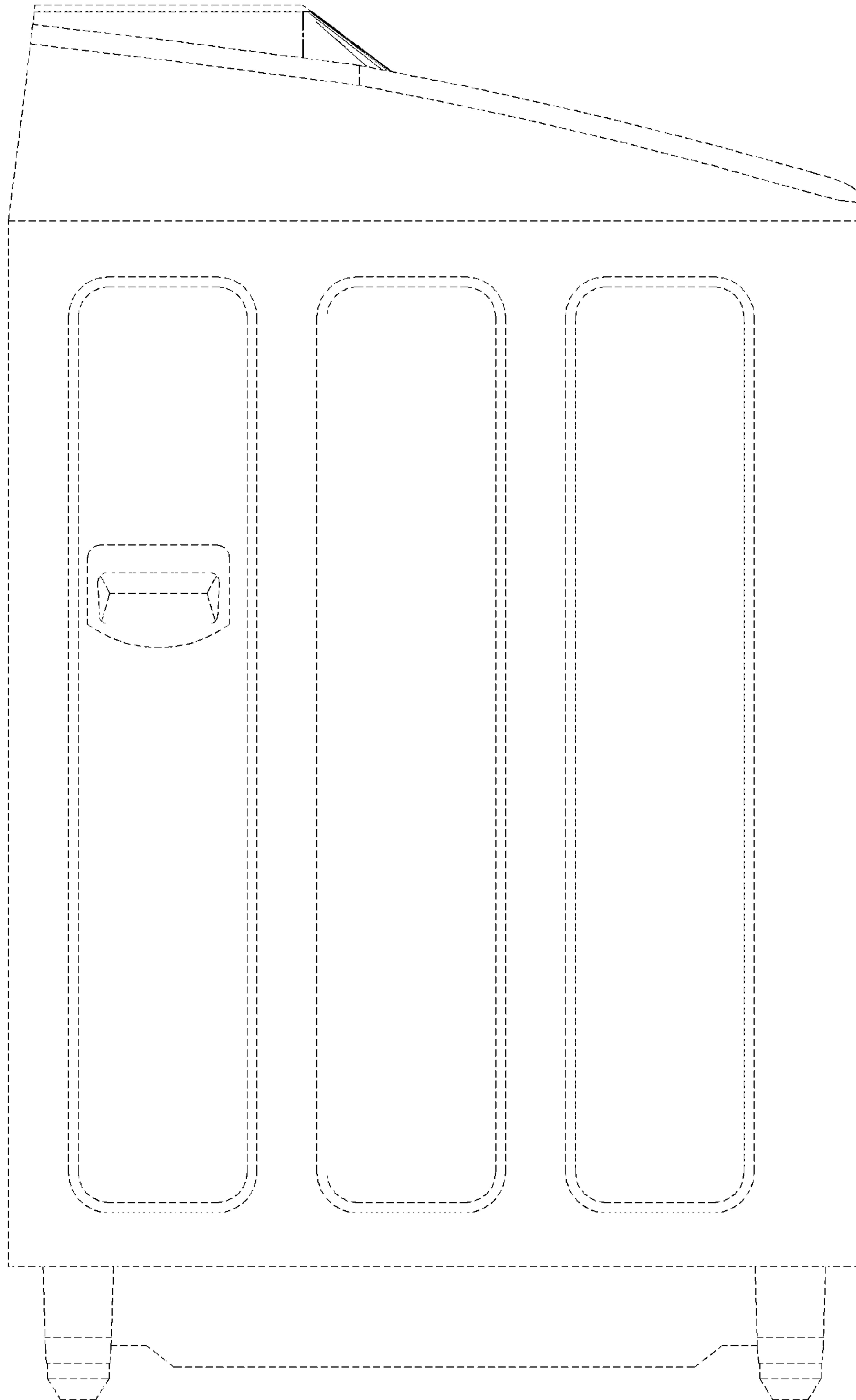


FIG. 5

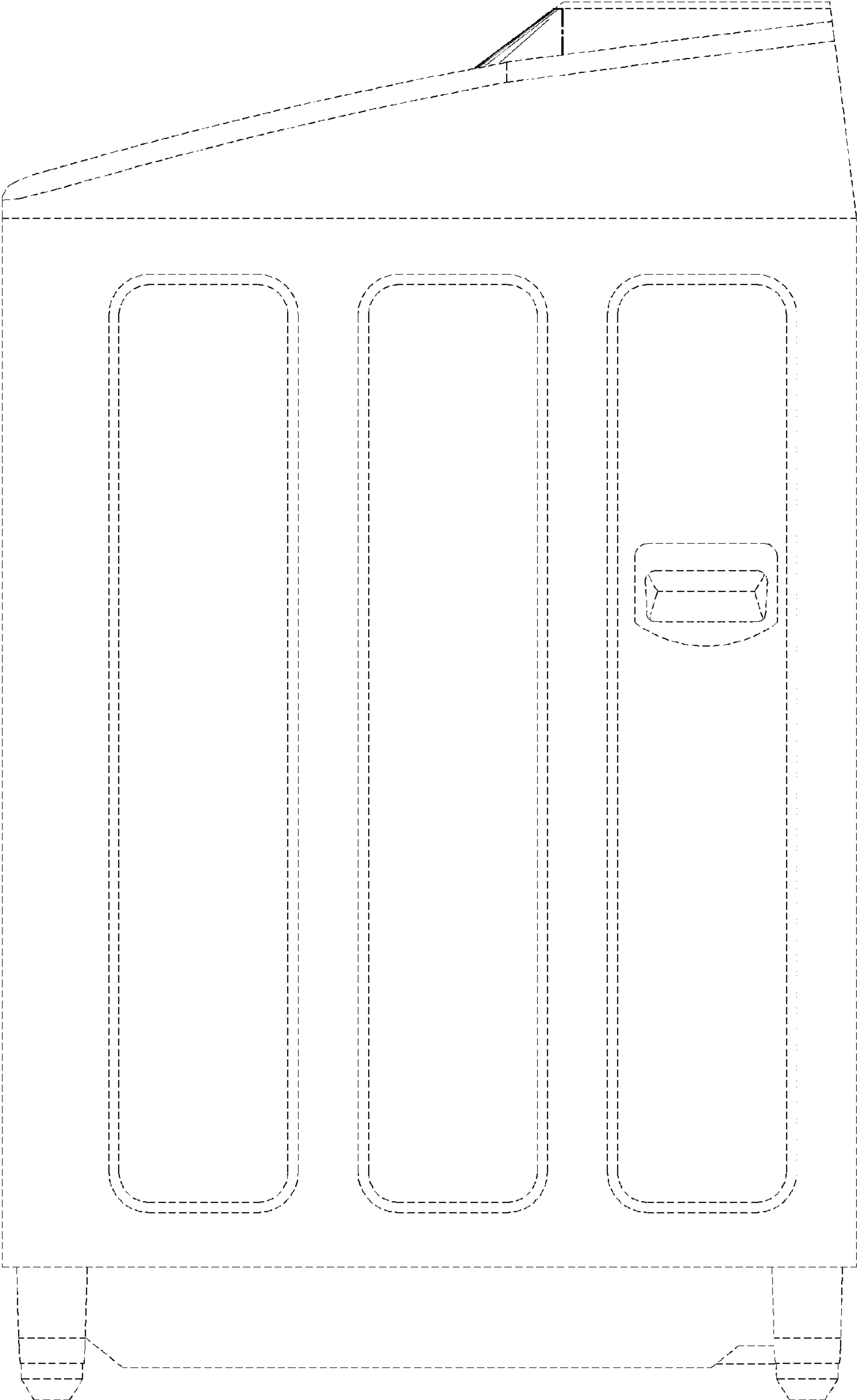


FIG. 6

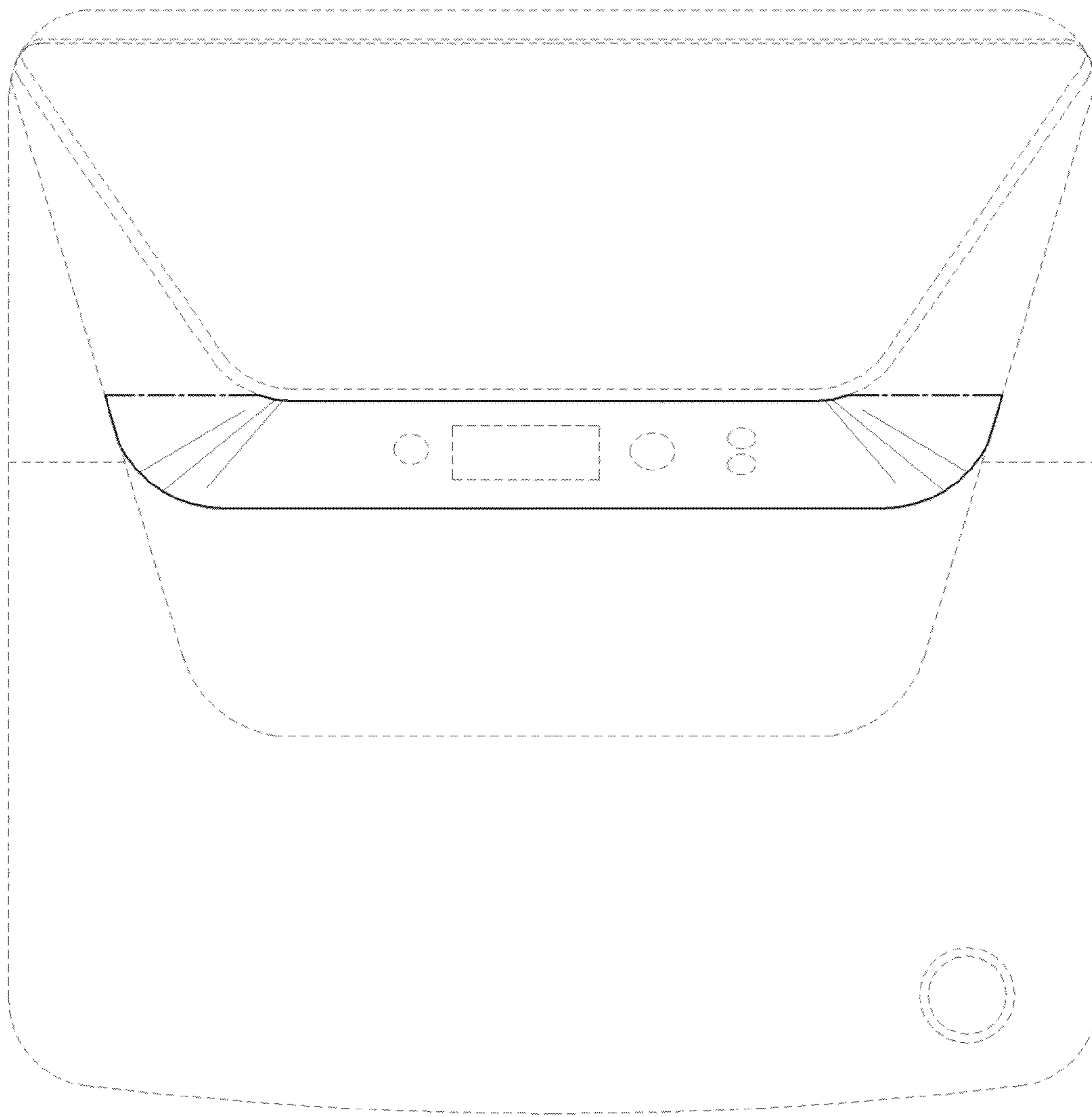


FIG. 7

