



US00D733373S

(12) **United States Design Patent**
Kahan et al.

(10) **Patent No.:** **US D733,373 S**
(45) **Date of Patent:** **** Jun. 30, 2015**

(54) **PRESSURE WASHER**

(71) Applicant: **POWERPLAY CORPORATION**,
Mississauga, Ontario (CA)

(72) Inventors: **Stewart Kahan**, Pointe-Claire (CA);
Patrice Guillemain, Outremont (CA)

(73) Assignee: **POWERPLAY CORPORATION**,
Mississauga, Ontario (CA)

(**) Term: **14 Years**

(21) Appl. No.: **29/477,423**

(22) Filed: **Dec. 20, 2013**

(30) **Foreign Application Priority Data**

Nov. 27, 2013 (CA) 154144

(51) **LOC (10) Cl.** **15-05**

(52) **U.S. Cl.**
USPC **D32/16**

(58) **Field of Classification Search**
USPC D32/16, 15, 25, 17, 18, 19, 21, 31,
D32/49.1; 280/47.26, 651; D34/24, 12, 26;
239/146; D23/225, 223, 226; 15/302,
15/320-322; D15/7, 9; 417/360, 364;
206/562

See application file for complete search history.

(56) **References Cited**

U.S. PATENT DOCUMENTS

D208,398 S * 8/1967 Otto et al. D32/16
D233,545 S * 11/1974 Johns D32/16
D375,590 S * 11/1996 Steinhart et al. D32/15
6,116,623 A * 9/2000 Salvucci 280/47.26
D441,935 S * 5/2001 Cook D34/24
D444,279 S * 6/2001 Kristiansen et al. D34/12
D451,257 S * 11/2001 Moritsch D34/24
D499,848 S * 12/2004 Leasure D32/15
D532,942 S * 11/2006 Busschaert D32/15

D580,518 S * 11/2008 Johnson et al. D23/225
D580,610 S * 11/2008 Hawkins D32/25
D581,123 S * 11/2008 Henderson D34/12
D590,110 S * 4/2009 Hawkins D32/25
D596,817 S * 7/2009 Glass et al. D32/25
D616,065 S * 5/2010 Gundersen et al. D23/225
D622,471 S * 8/2010 Hernandez D34/12
D633,263 S * 2/2011 Fay D32/15

(Continued)

FOREIGN PATENT DOCUMENTS

CA 116868 * 7/2006

OTHER PUBLICATIONS

Portsmouth Paint & Wallpaper Equipment Listing Tri-Rent-All,
Announced Nov. 15, 2011, [Site Visited Dec. 17, 2014] <http://www.trirentall.net/PortsmouthPages/PortsmouthPaint.html>.*

(Continued)

Primary Examiner — Eric Goodman

Assistant Examiner — Luqman McNeil

(74) *Attorney, Agent, or Firm* — Blakely Sokoloff Taylor & Zafman

(57) **CLAIM**

The ornamental design for a pressure washer, as shown and described.

DESCRIPTION

FIG. 1 is a perspective front, top and first side view illustrating the new design.

FIG. 2 is a second side elevational view thereof.

FIG. 3 is front elevation view thereof.

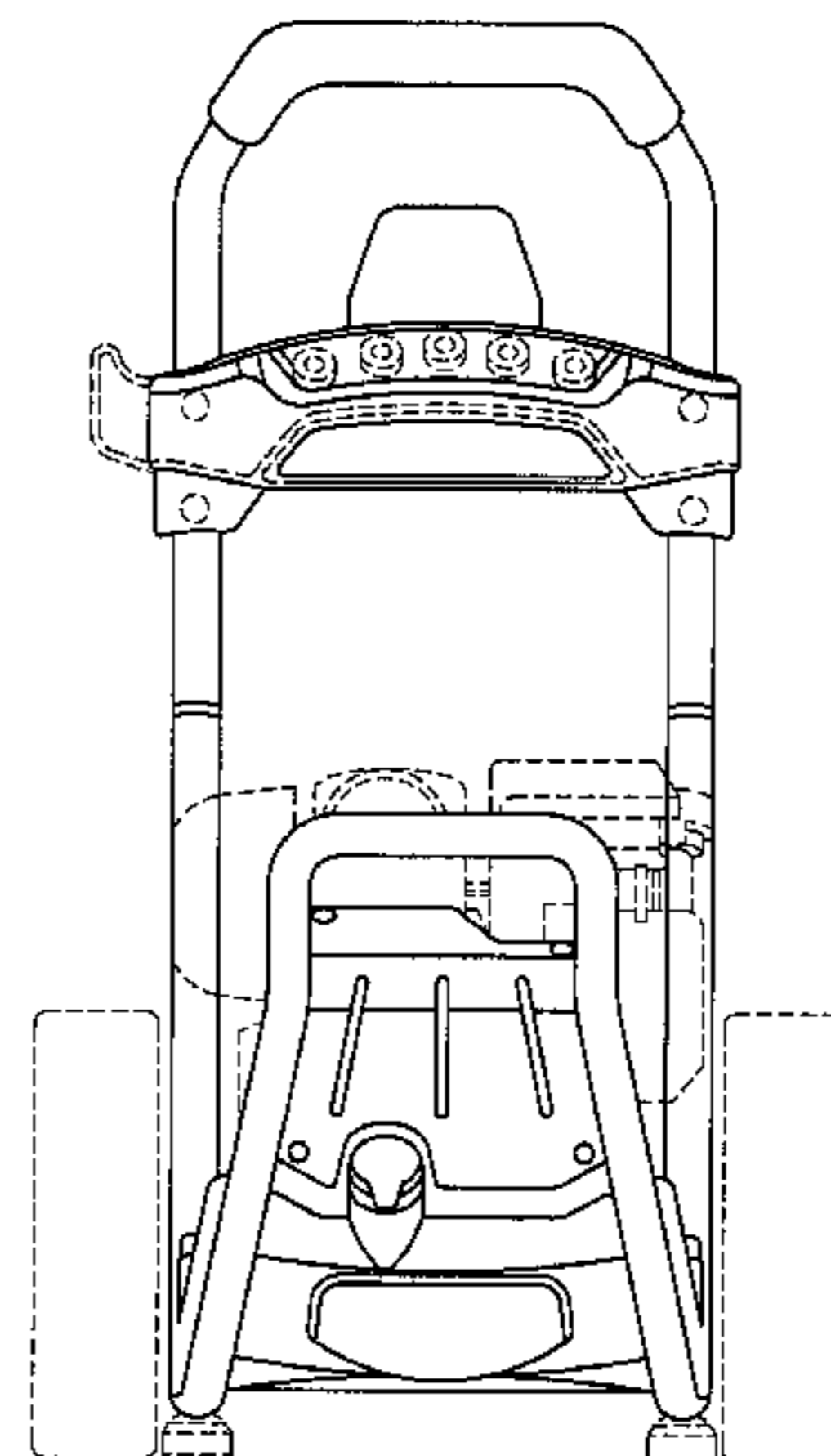
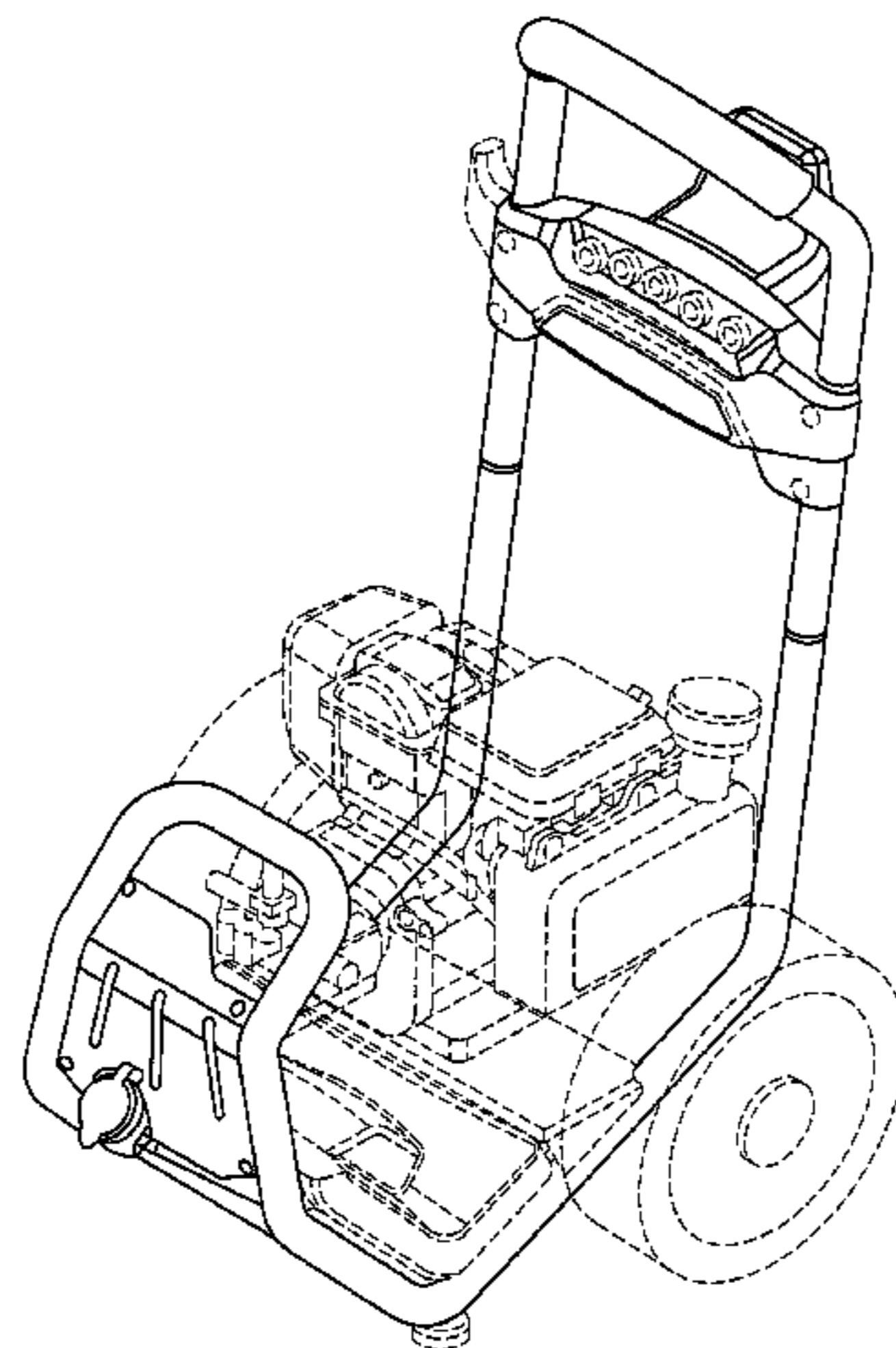
FIG. 4 is a first side elevation view thereof.

FIG. 5 is a rear elevation view thereof; and,

FIG. 6 is a top plan view thereof.

The broken line showing of details in FIGS. 1 to 6 is included for the purpose of showing environmental portions of the design. No claim is made to the portions shown in broken line.

1 Claim, 6 Drawing Sheets



(56)

References Cited

U.S. PATENT DOCUMENTS

D633,682 S * 3/2011 Schmid D34/26
D634,083 S * 3/2011 Fay D32/15
D636,551 S * 4/2011 Dixon D34/24
D638,191 S * 5/2011 Goth et al. D34/24
D639,001 S * 5/2011 Alexander et al. D32/15
D640,438 S * 6/2011 Worth D34/24
D648,082 S * 11/2011 Alexander et al. D32/15

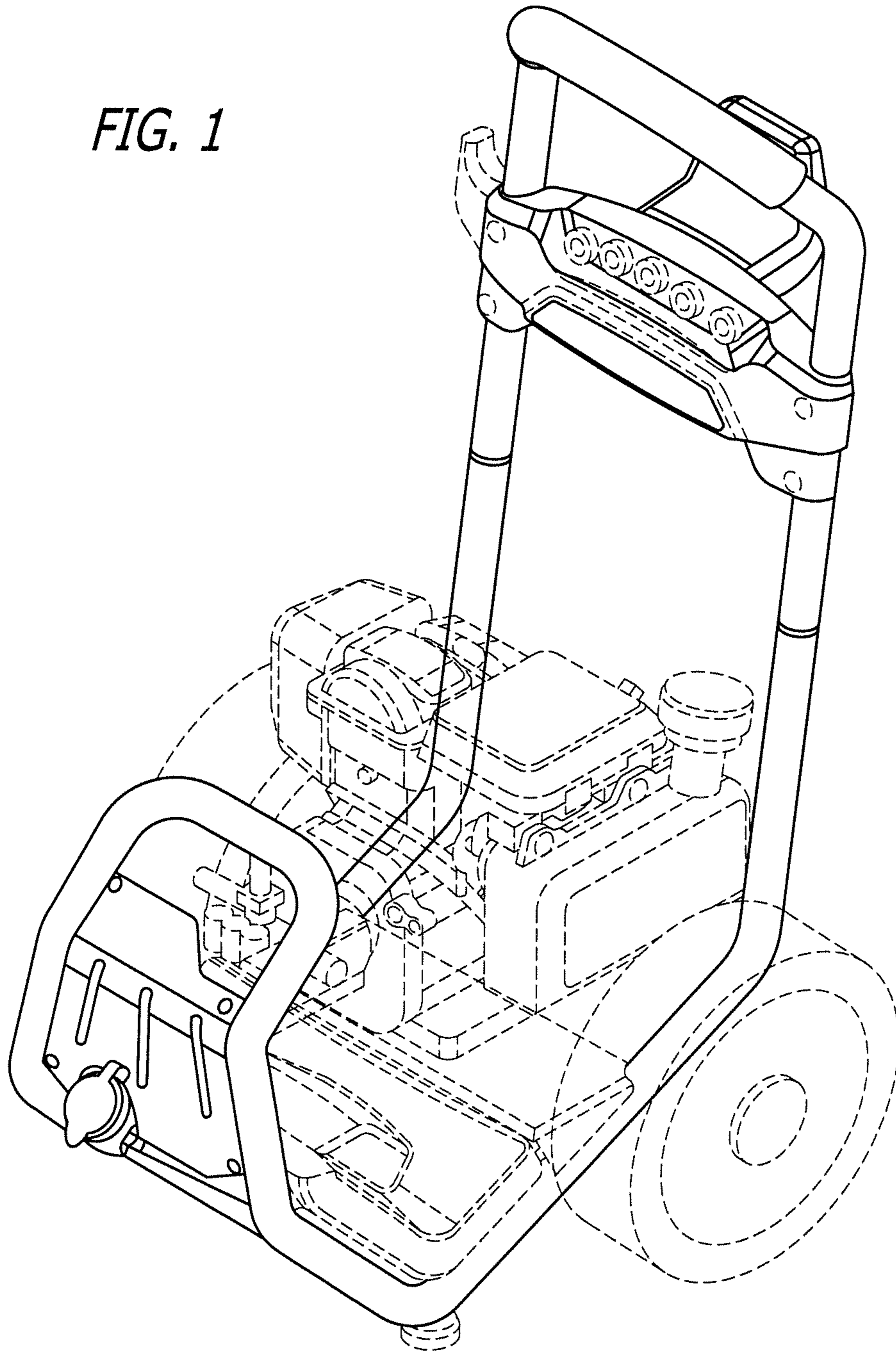
2006/0102745 A1* 5/2006 Dexter 239/146
2008/0272578 A1* 11/2008 Tsai 280/651
2010/0282187 A1* 11/2010 Gilpatrick 123/2

OTHER PUBLICATIONS

All About the Generac Pressure Washer, Announced Dec. 12, 2010,
[Site Visited Dec. 17, 2014]<http://zenedy.com/all-about-the-generac-pressure-washer>.*

* cited by examiner

FIG. 1



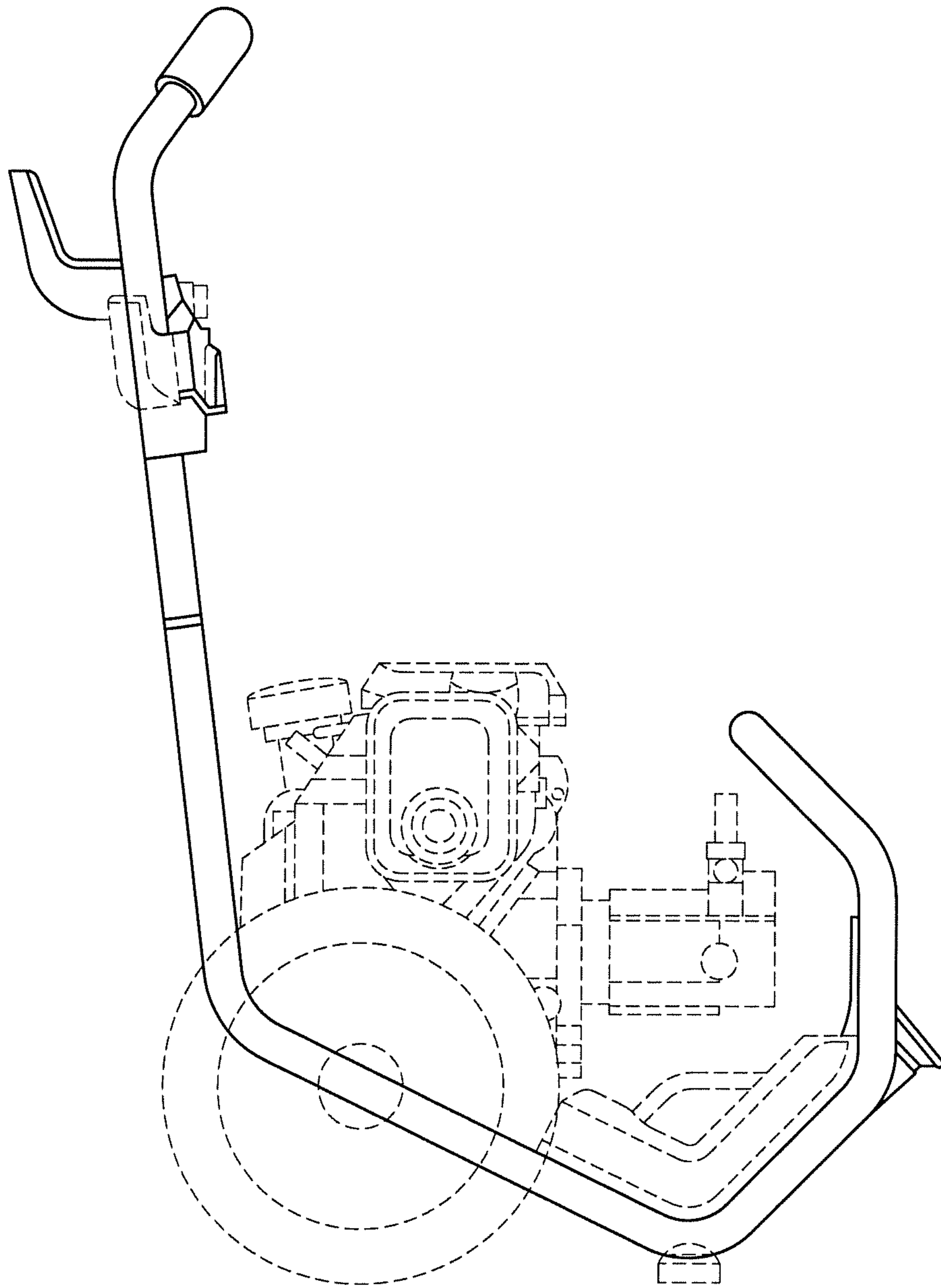


FIG. 2

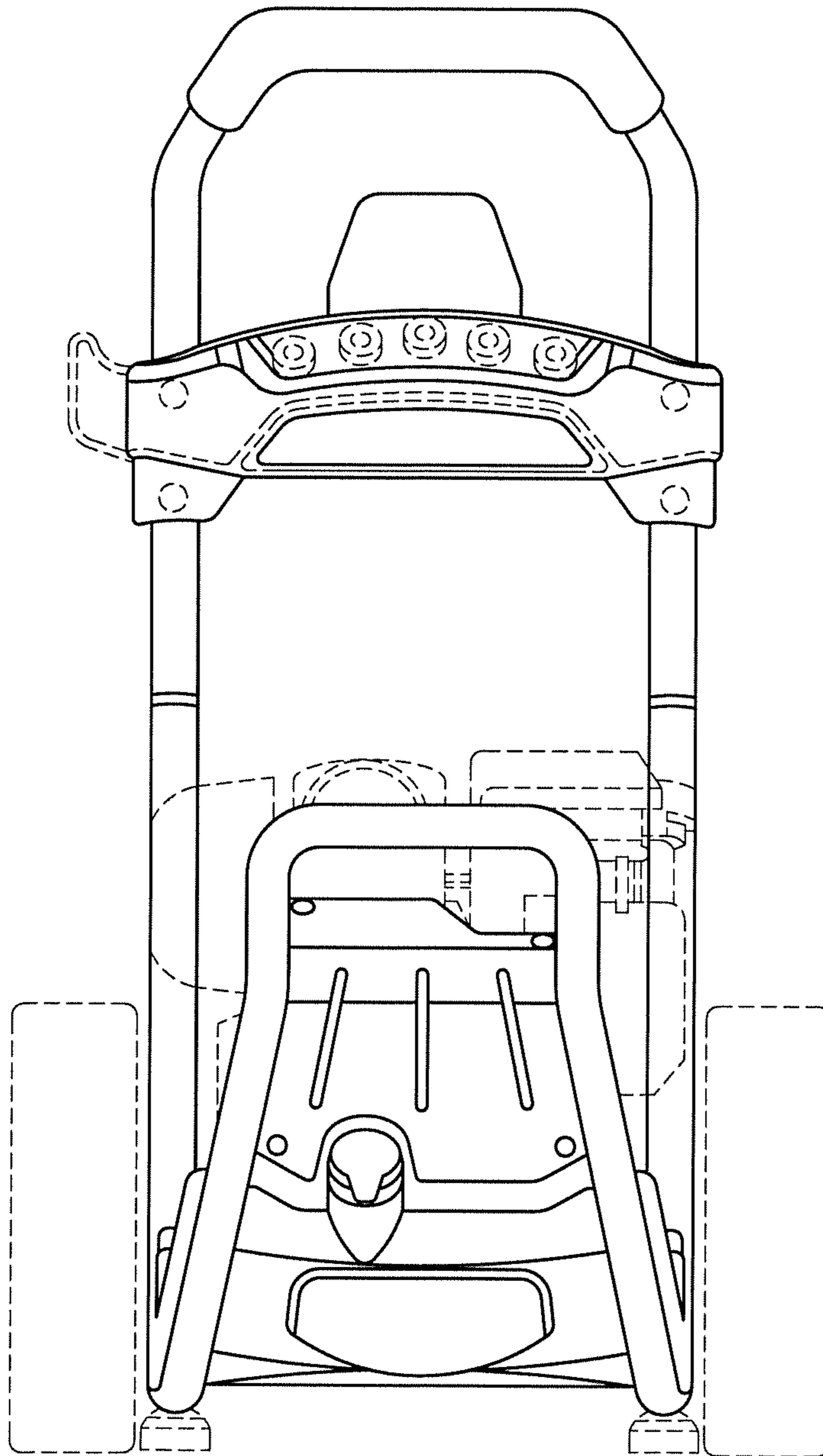


FIG. 3

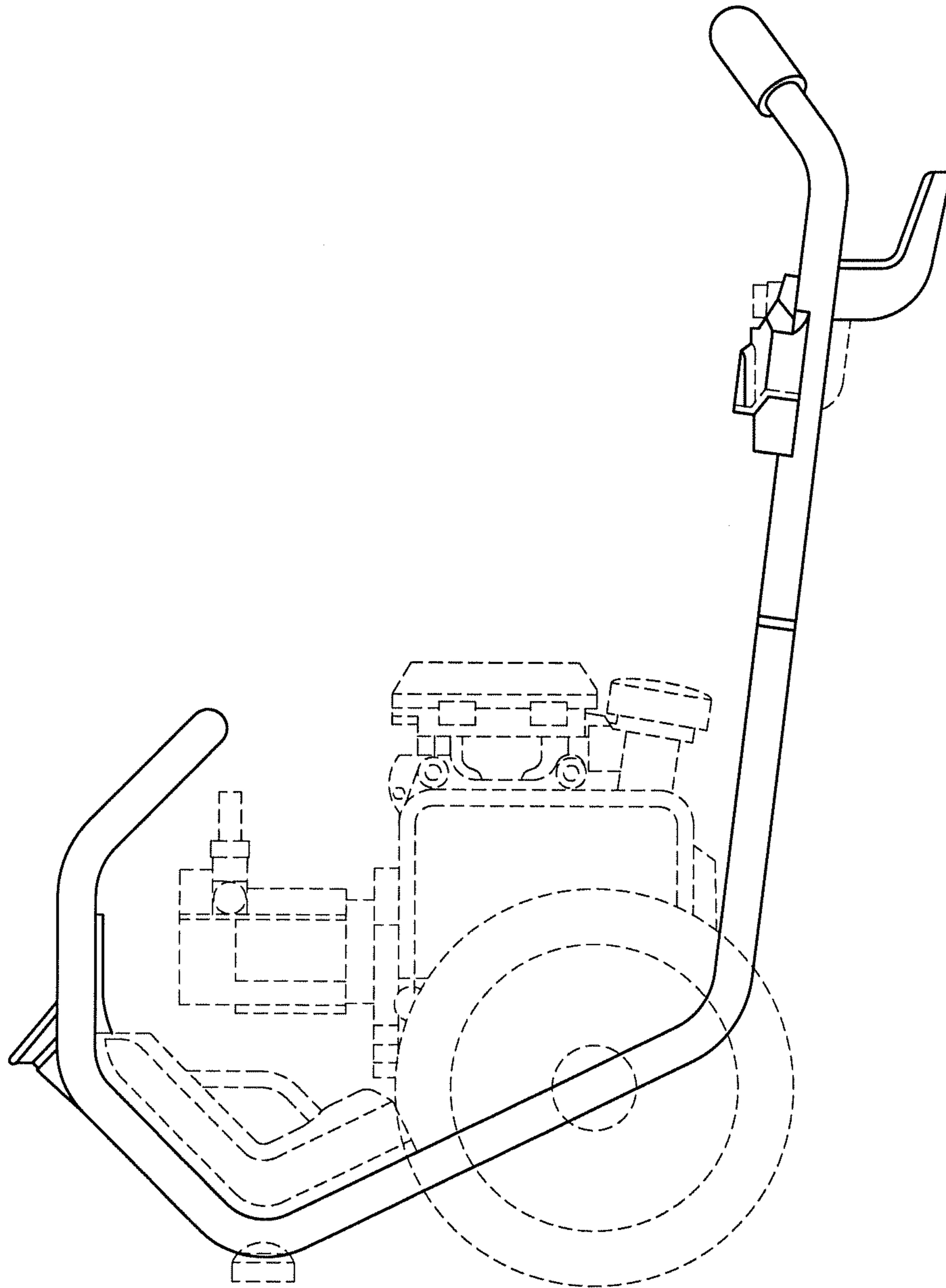


FIG. 4

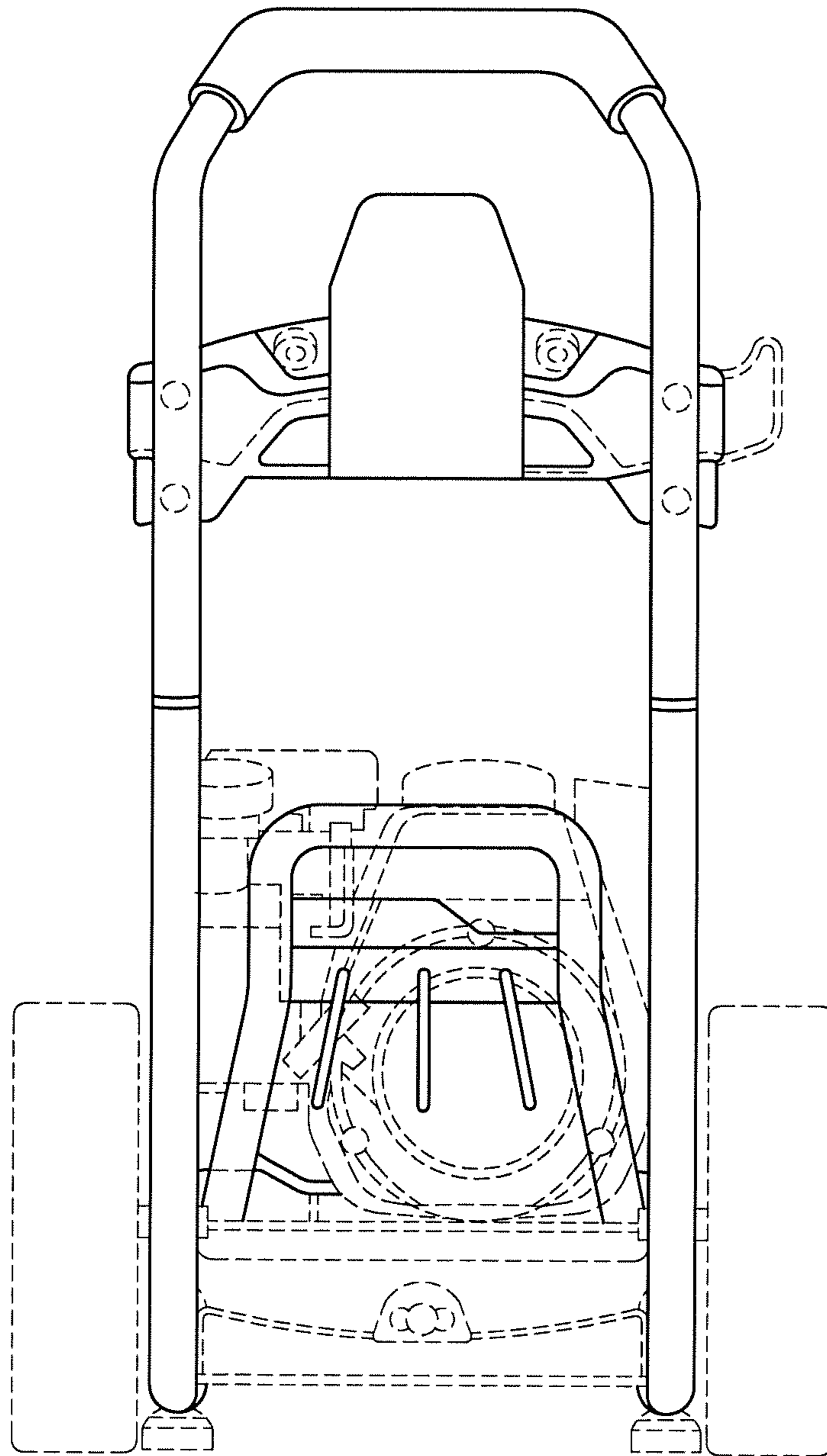


FIG. 5

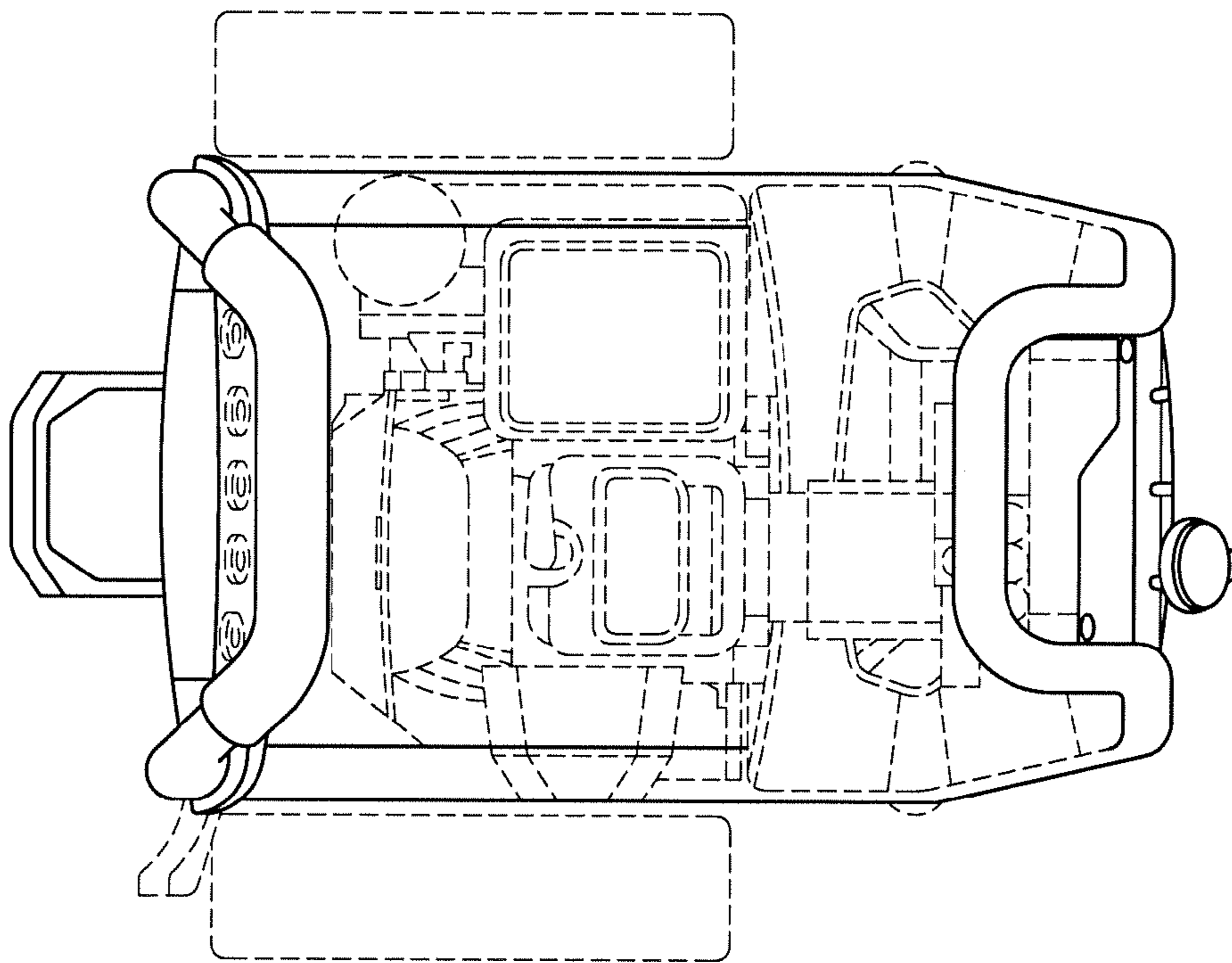


FIG. 6