

US00D733372S

(12) **United States Design Patent**
Song et al.

(10) **Patent No.:** **US D733,372 S**
(45) **Date of Patent:** **** Jun. 30, 2015**

- (54) **WASHING MACHINE**
- (71) Applicant: **LG ELECTRONICS INC.**, Seoul (KR)
- (72) Inventors: **Seunghyun Song**, Gyeonggi-do (KR);
Kihyuk Kim, Incheon (KR); **Eunyoung Chee**, Gyeonggi-do (KR)
- (73) Assignee: **LG Electronics Inc.**, Seoul (KR)
- (**) Term: **14 Years**
- (21) Appl. No.: **29/481,902**
- (22) Filed: **Feb. 12, 2014**
- (30) **Foreign Application Priority Data**

Aug. 12, 2013 (KR) 30-2013-0041515

- (51) **LOC (10) Cl.** **15-05**
- (52) **U.S. Cl.**
USPC **D32/6**
- (58) **Field of Classification Search**
USPC D32/1, 5-6, 8; 68/3 R, 5 R, 12.01, 12.08;
34/87-88, 524, 534; 312/31
See application file for complete search history.

(56) **References Cited**

U.S. PATENT DOCUMENTS

| | | | |
|--------------|---------|-----------------------|-------|
| D153,515 S * | 4/1949 | Geldhof | D32/6 |
| D359,602 S * | 6/1995 | Swartz et al. | D32/6 |
| D360,500 S * | 7/1995 | Millet et al. | D32/6 |
| D374,954 S * | 10/1996 | Katz et al. | D32/6 |
| D465,308 S * | 11/2002 | Resuello et al. | D32/6 |
| D470,632 S * | 2/2003 | Oda | D32/6 |
| D489,496 S * | 5/2004 | Sneddon | D32/6 |
| D516,258 S * | 2/2006 | Matsusaki et al. | D32/6 |
| D519,692 S * | 4/2006 | Jun | D32/6 |
| D524,000 S * | 6/2006 | Kim et al. | D32/6 |
| D526,453 S * | 8/2006 | Jun | D32/6 |
| D527,150 S * | 8/2006 | Jun | D32/6 |
| D528,712 S * | 9/2006 | Ha et al. | D32/6 |
| D528,713 S * | 9/2006 | Ha et al. | D32/6 |
| D538,488 S * | 3/2007 | Carey et al. | D32/6 |
| D554,307 S * | 10/2007 | Kim | D32/6 |

| | | | |
|--------------|---------|----------------------|--------|
| D556,394 S * | 11/2007 | Kim | D32/6 |
| D571,964 S * | 6/2008 | Kim | D32/6 |
| D575,012 S * | 8/2008 | Rossetto et al. | D32/6 |
| D575,464 S * | 8/2008 | Rossetto et al. | D32/8 |
| D597,712 S * | 8/2009 | Jeon et al. | D32/6 |
| D631,215 S * | 1/2011 | Song et al. | D32/6 |
| D632,033 S * | 2/2011 | Song et al. | D32/6 |
| D633,261 S * | 2/2011 | Song et al. | D32/6 |
| D648,084 S * | 11/2011 | Browne et al. | D32/28 |
| D648,085 S * | 11/2011 | Miller et al. | D32/28 |
| D648,497 S * | 11/2011 | Bhattacharya | D32/28 |
| D654,640 S * | 2/2012 | Song et al. | D32/6 |
| D661,852 S * | 6/2012 | Song et al. | D32/8 |
| D679,462 S * | 4/2013 | Zhang et al. | D32/6 |
| D694,965 S * | 12/2013 | Lee et al. | D32/6 |
| D695,474 S * | 12/2013 | Calmeise | D32/28 |
| D697,680 S * | 1/2014 | Hwang et al. | D32/25 |
| D699,907 S * | 2/2014 | Choi et al. | D32/28 |
| D701,656 S * | 3/2014 | Choi et al. | D32/6 |
| D705,508 S * | 5/2014 | Calmeise | D32/28 |

* cited by examiner

Primary Examiner — T. Chase Nelson

Assistant Examiner — Michelle E Wilson

(74) *Attorney, Agent, or Firm* — Morgan, Lewis & Bockius LLP

(57) **CLAIM**

The ornamental design for a washing machine, as shown and described.

DESCRIPTION

FIG. 1 is a front, right side, perspective view of a washing machine showing our new design;
 FIG. 2 is a front view thereof;
 FIG. 3 is a rear view thereof;
 FIG. 4 is a left side view thereof;
 FIG. 5 is a right side view thereof;
 FIG. 6 is a top view thereof; and,
 FIG. 7 is a bottom view thereof.

The broken lines shown in the drawings represent portions of the washing machine which form no part of the claimed design.

1 Claim, 6 Drawing Sheets

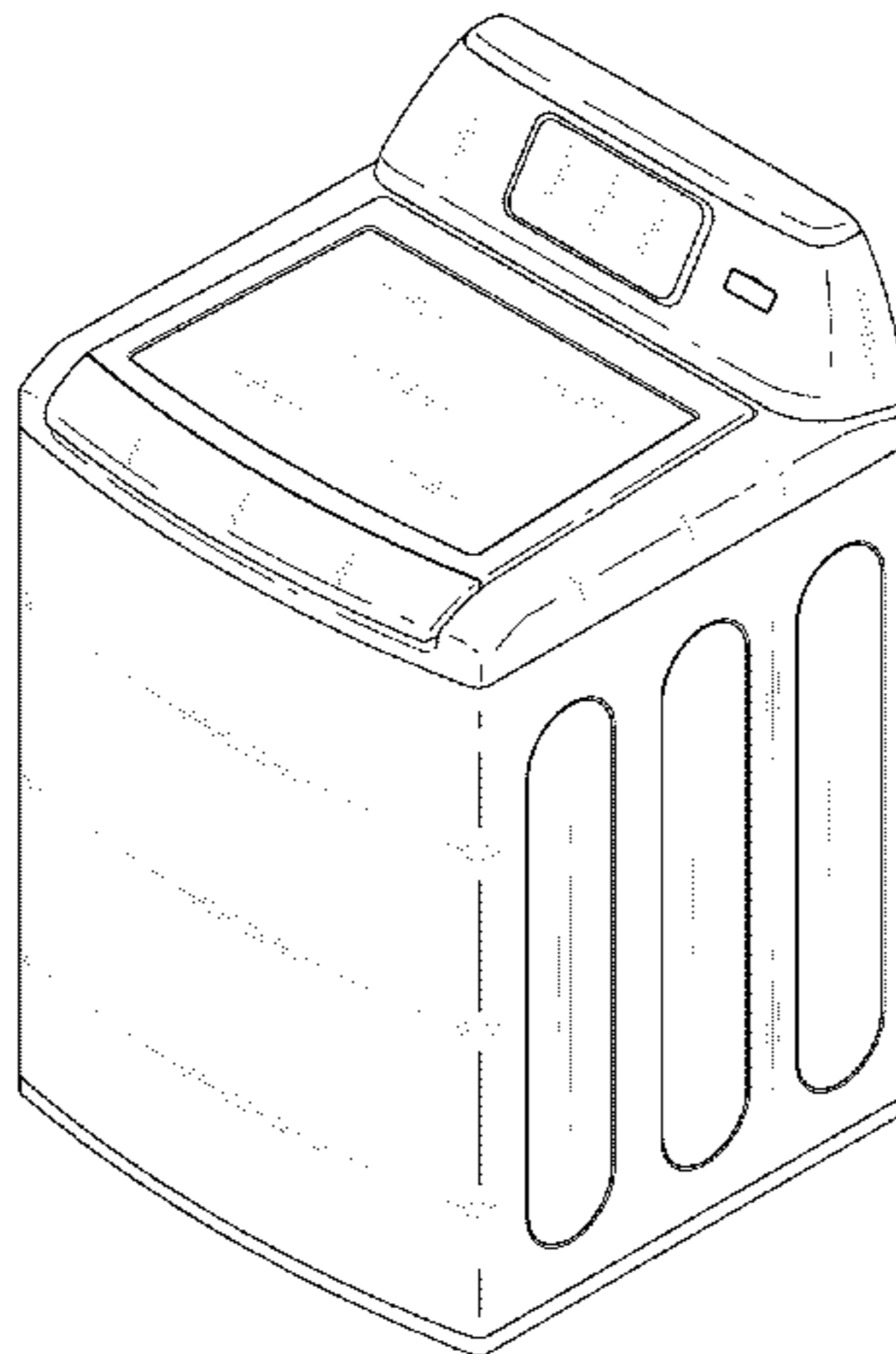


FIG. 1

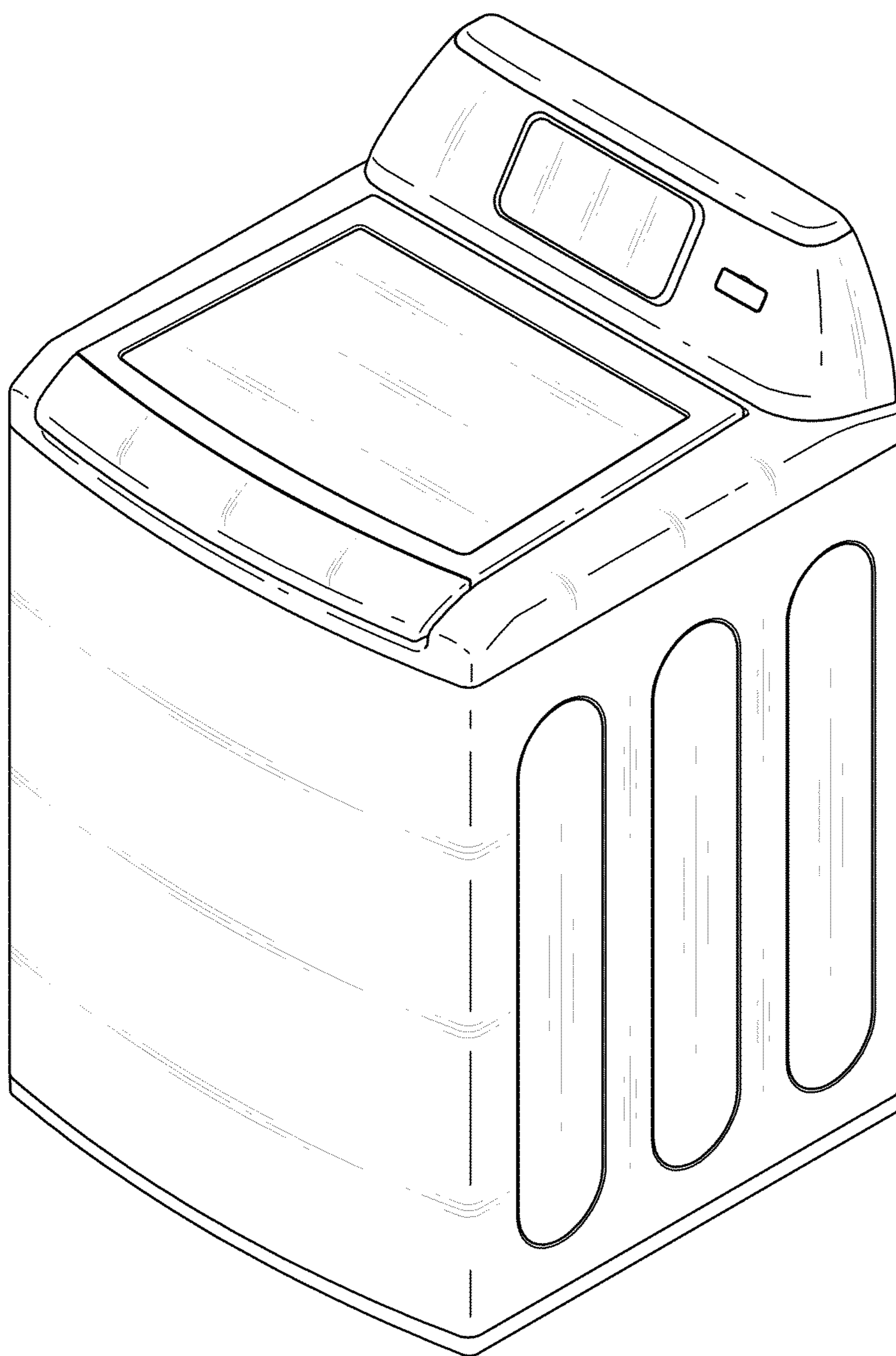


FIG. 2

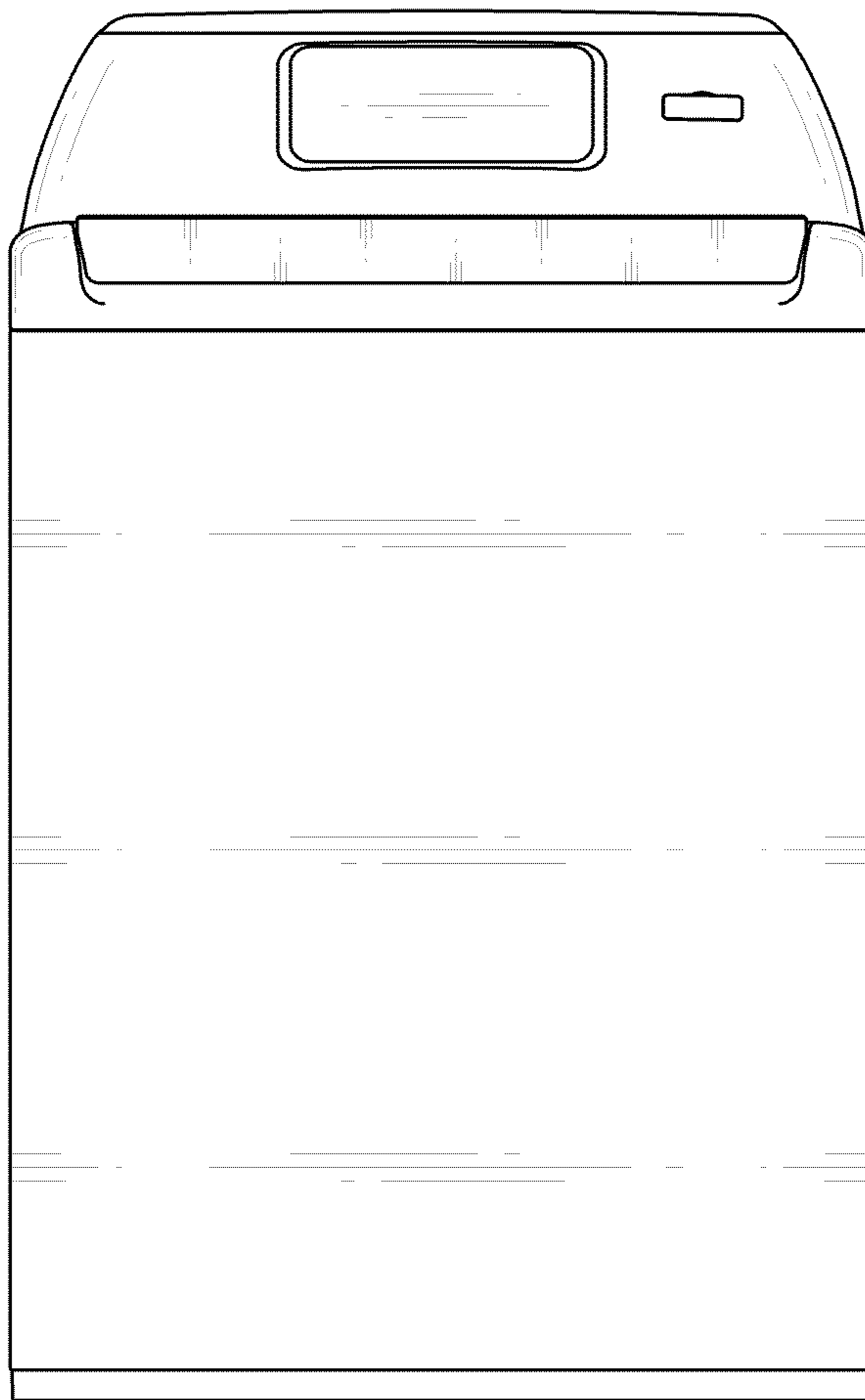


FIG. 3

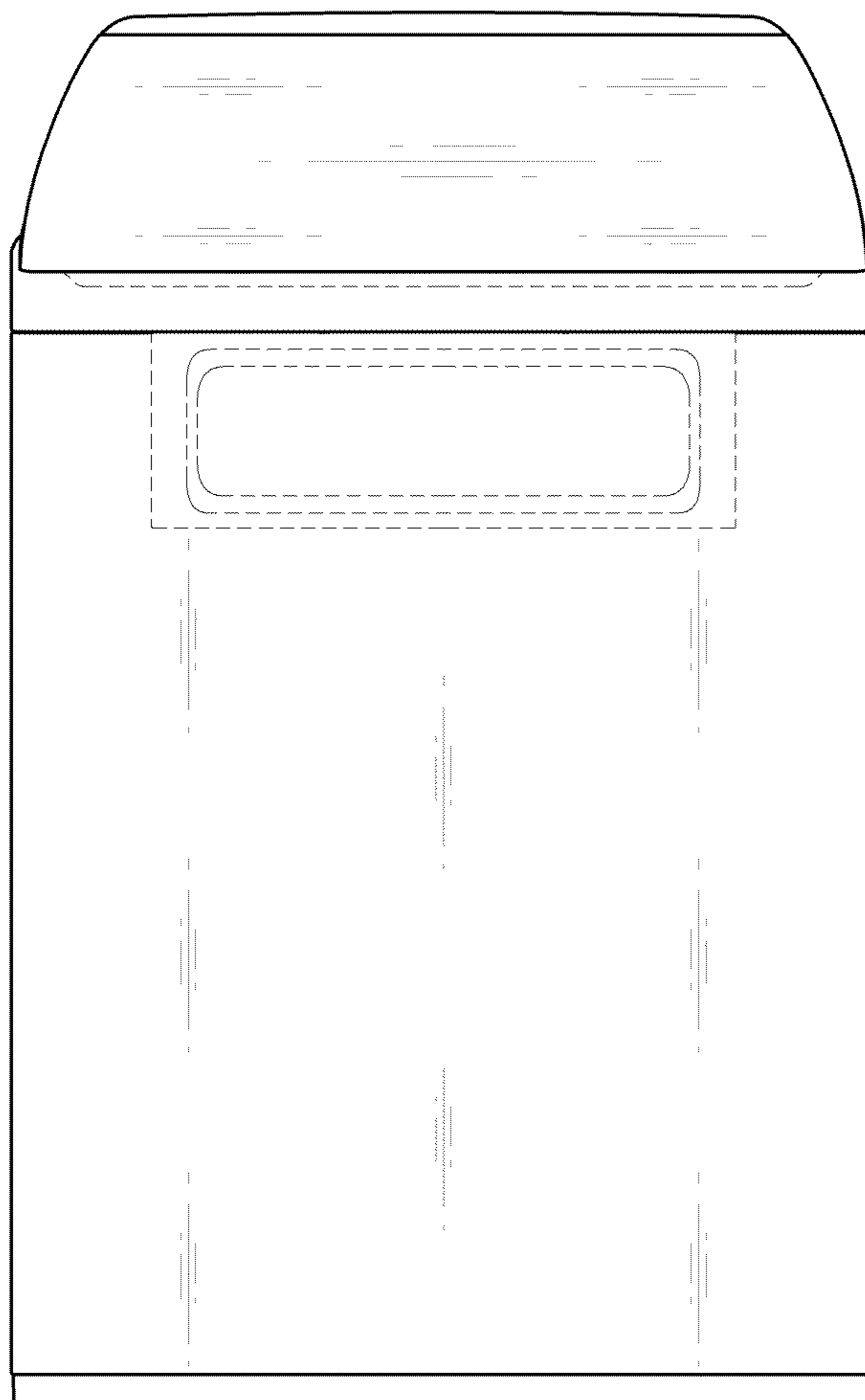


FIG. 4

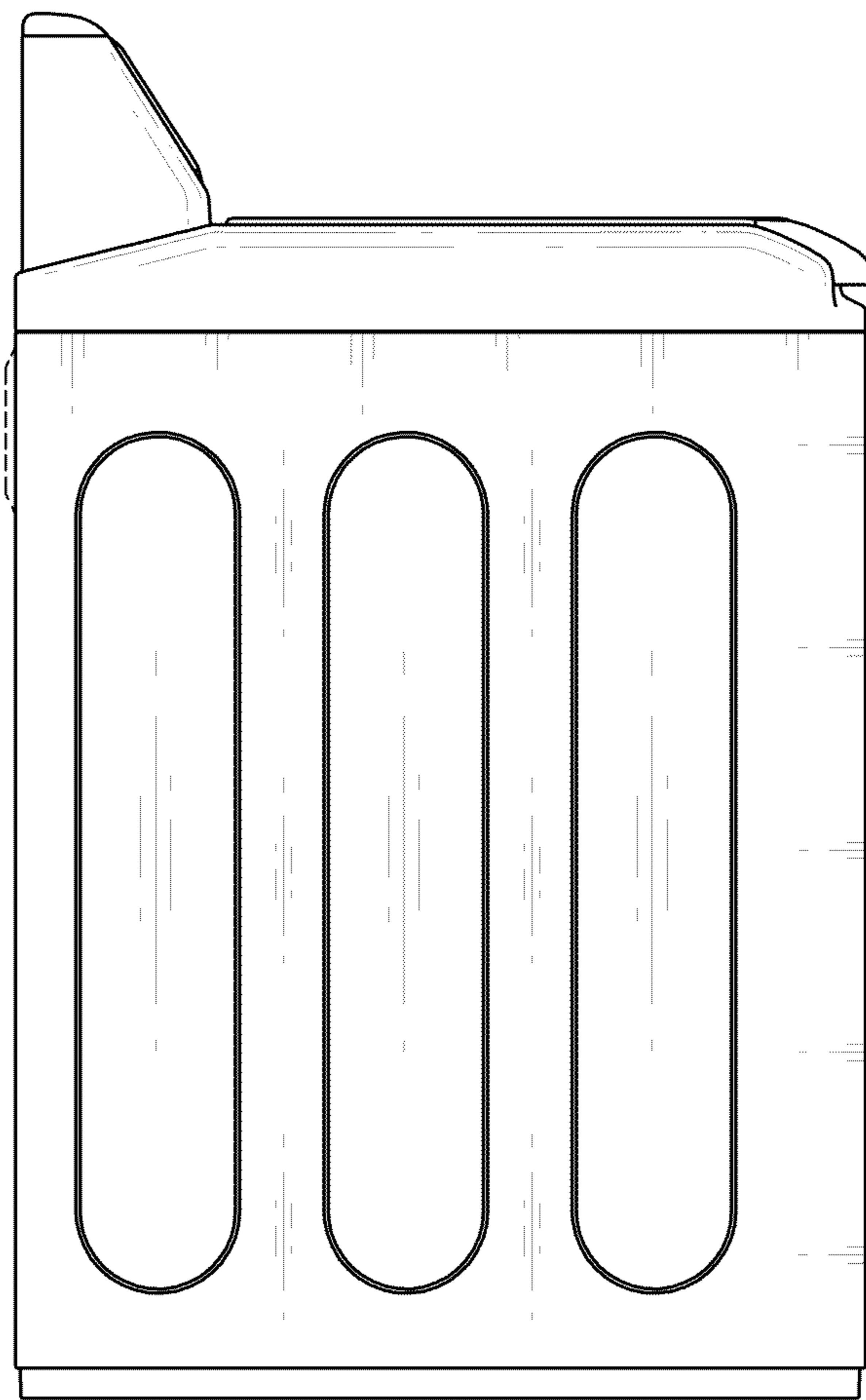


FIG. 5

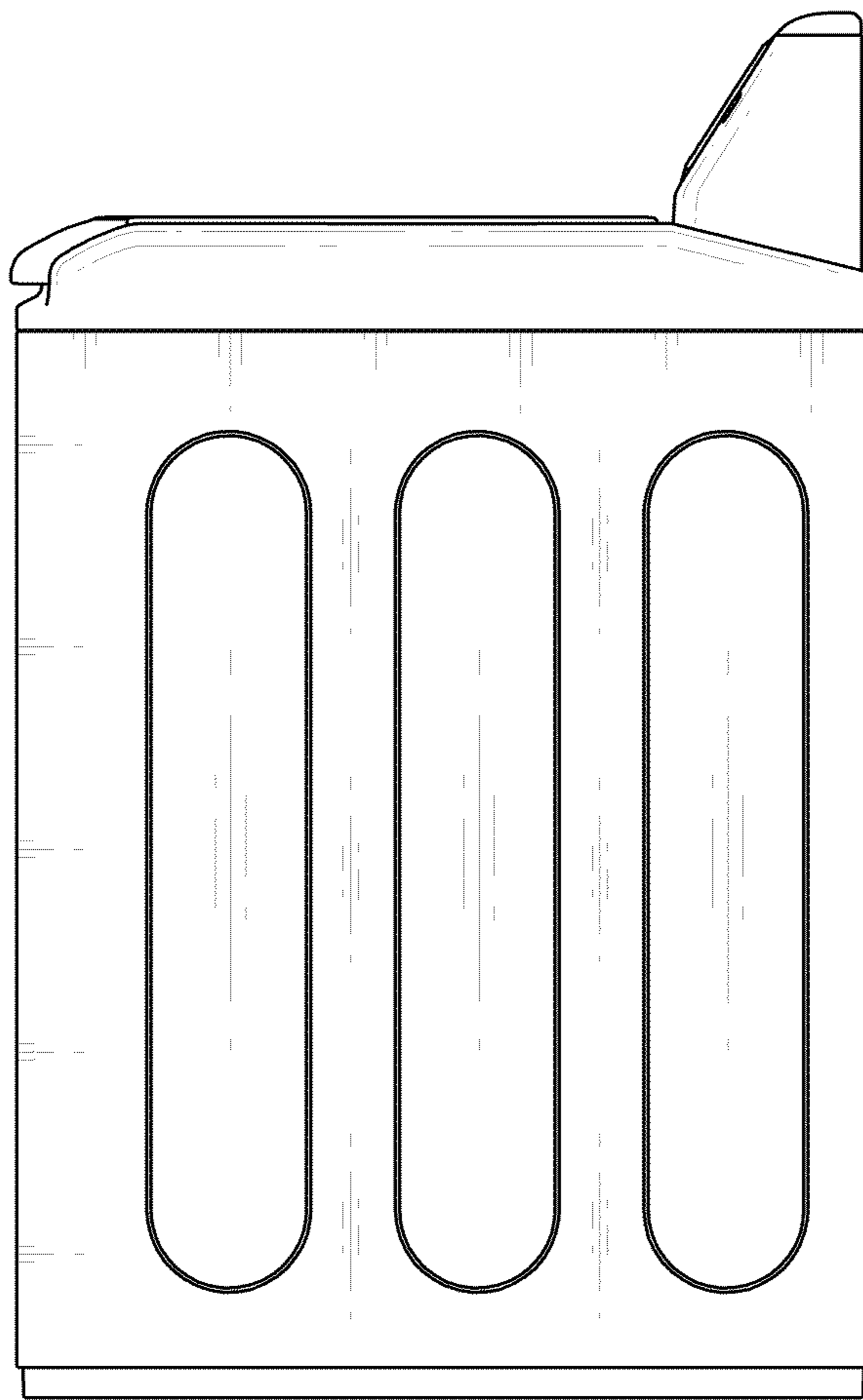


FIG. 6

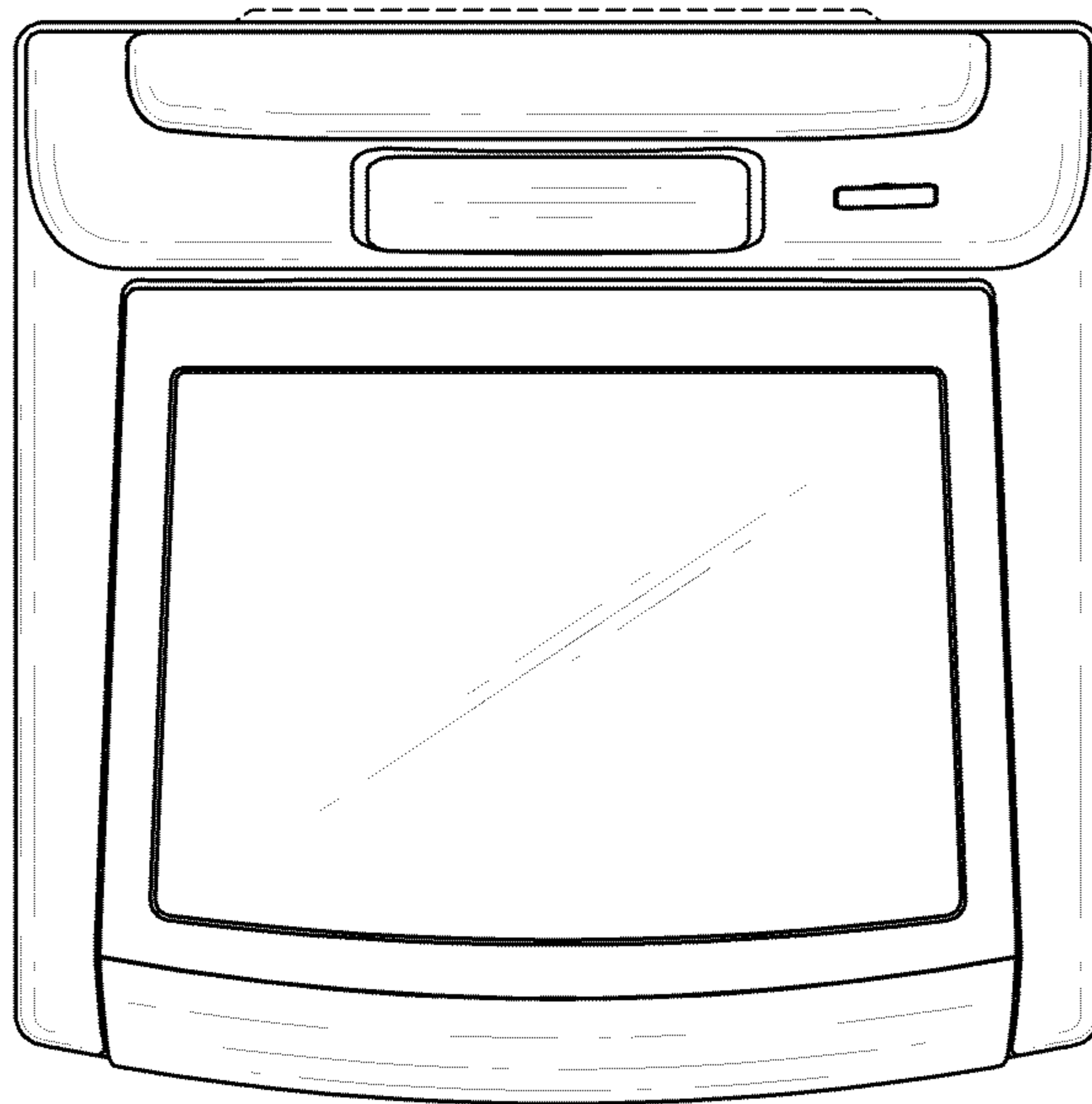


FIG. 7

