

US00D733371S

(12) **United States Design Patent**  
**Chung et al.**

(10) **Patent No.:** **US D733,371 S**  
(45) **Date of Patent:** **\*\* Jun. 30, 2015**

- (54) **WASHING MACHINE**
- (71) Applicant: **LG ELECTRONICS INC.**, Seoul (KR)
- (72) Inventors: **Wook Jun Chung**, Seoul (KR); **Yoon Sang Kim**, Seoul (KR); **Kyung Ah Lee**, Seoul (KR); **Jong Hee Han**, Seoul (KR)
- (73) Assignee: **LG ELECTRONICS INC.**, Seoul (KR)
- (\*\*) Term: **14 Years**
- (21) Appl. No.: **29/464,142**
- (22) Filed: **Aug. 13, 2013**

- (30) **Foreign Application Priority Data**  
Feb. 14, 2013 (KR) ..... 30-2013-0007824
- (51) **LOC (10) Cl.** ..... **15-05**
- (52) **U.S. Cl.**  
USPC ..... **D32/6**
- (58) **Field of Classification Search**  
USPC ..... D32/28, 6, 25, 8, 10; 68/3 R, 4, 5 R,  
68/12.01, 12.07, 12.08, 212; 34/87-88,  
34/523-524  
See application file for complete search history.

(56) **References Cited**

**U.S. PATENT DOCUMENTS**

D577,471 S *	9/2008	Park et al.	.....	D32/28
D585,165 S *	1/2009	Kim et al.	.....	D32/6
D589,215 S *	3/2009	Cho et al.	.....	D32/6
D614,821 S *	4/2010	Cho et al.	.....	D32/6
D618,863 S *	6/2010	Jeon et al.	.....	D32/6
D618,865 S *	6/2010	Cline et al.	.....	D32/6
D619,313 S *	7/2010	Cline et al.	.....	D32/25
D627,114 S *	11/2010	Jeon et al.	.....	D32/6
D627,115 S *	11/2010	Jeon et al.	.....	D32/6
D627,529 S *	11/2010	Jeon et al.	.....	D32/6
D631,623 S *	1/2011	Chung et al.	.....	D32/6
D633,262 S *	2/2011	Jeon et al.	.....	D32/6

D634,492 S *	3/2011	Chung et al.	.....	D32/6
D635,313 S *	3/2011	Jeon et al.	.....	D32/6
D636,953 S *	4/2011	Lee	.....	D32/6
D642,753 S *	8/2011	Ha	.....	D32/6
D649,722 S *	11/2011	Chung et al.	.....	D32/6
D663,907 S *	7/2012	Jeon et al.	.....	D32/6
D663,908 S *	7/2012	Jeon et al.	.....	D32/6
D664,313 S *	7/2012	Chung et al.	.....	D32/6
D703,886 S *	4/2014	Ha et al.	.....	D32/6

**FOREIGN PATENT DOCUMENTS**

CN	30134039	*	10/2009
CN	301263638	*	6/2010
JP	D1257592	*	12/2005

**OTHER PUBLICATIONS**

LG DLGX8001V, Announced Jul. 7, 2012, [ Site Visited Feb. 19, 2015]http://www.canadianappliance.ca/product/LG\_DLGX8001V\_Dryers\_LG\_DLGX8001V.html.\*

(Continued)

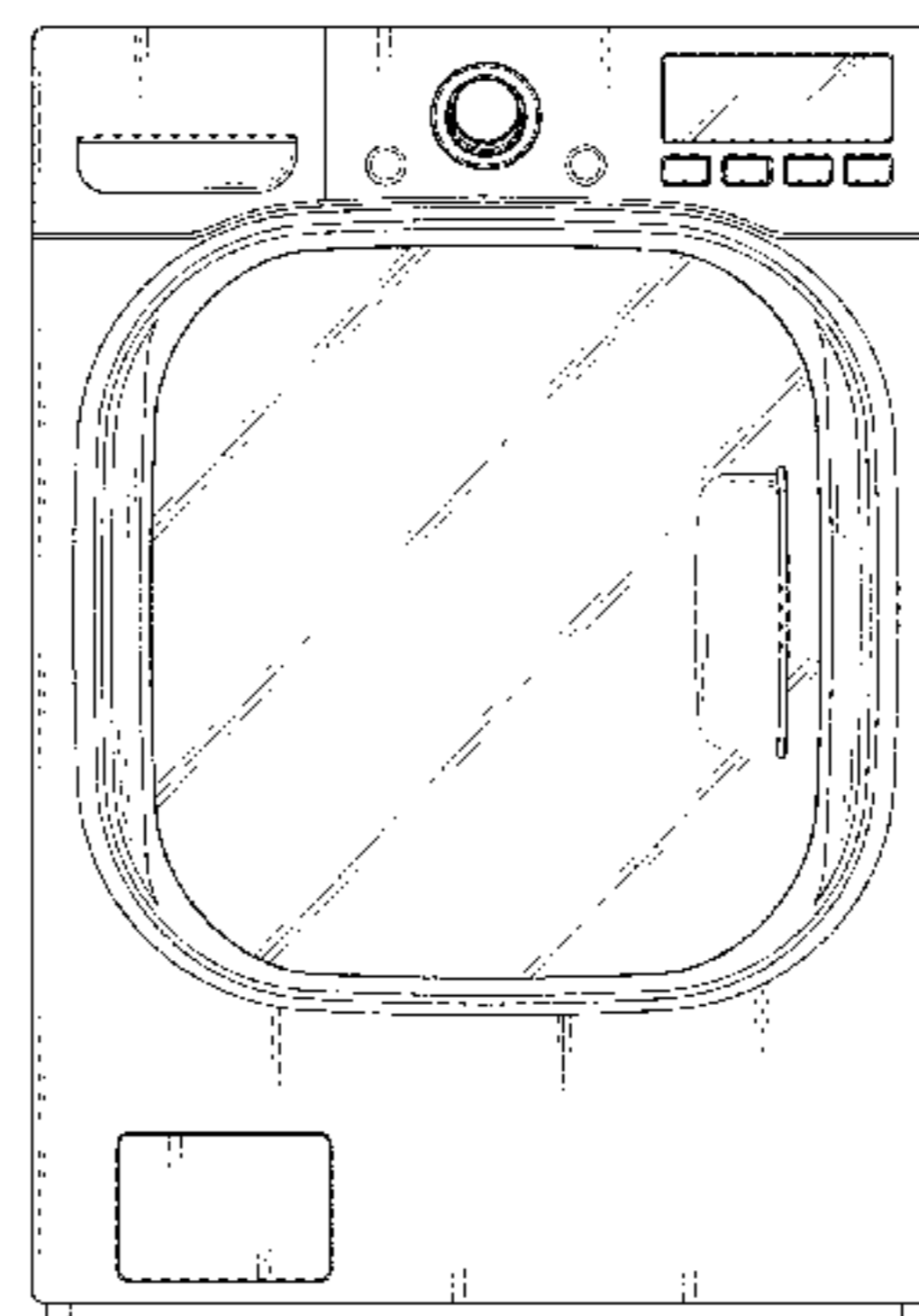
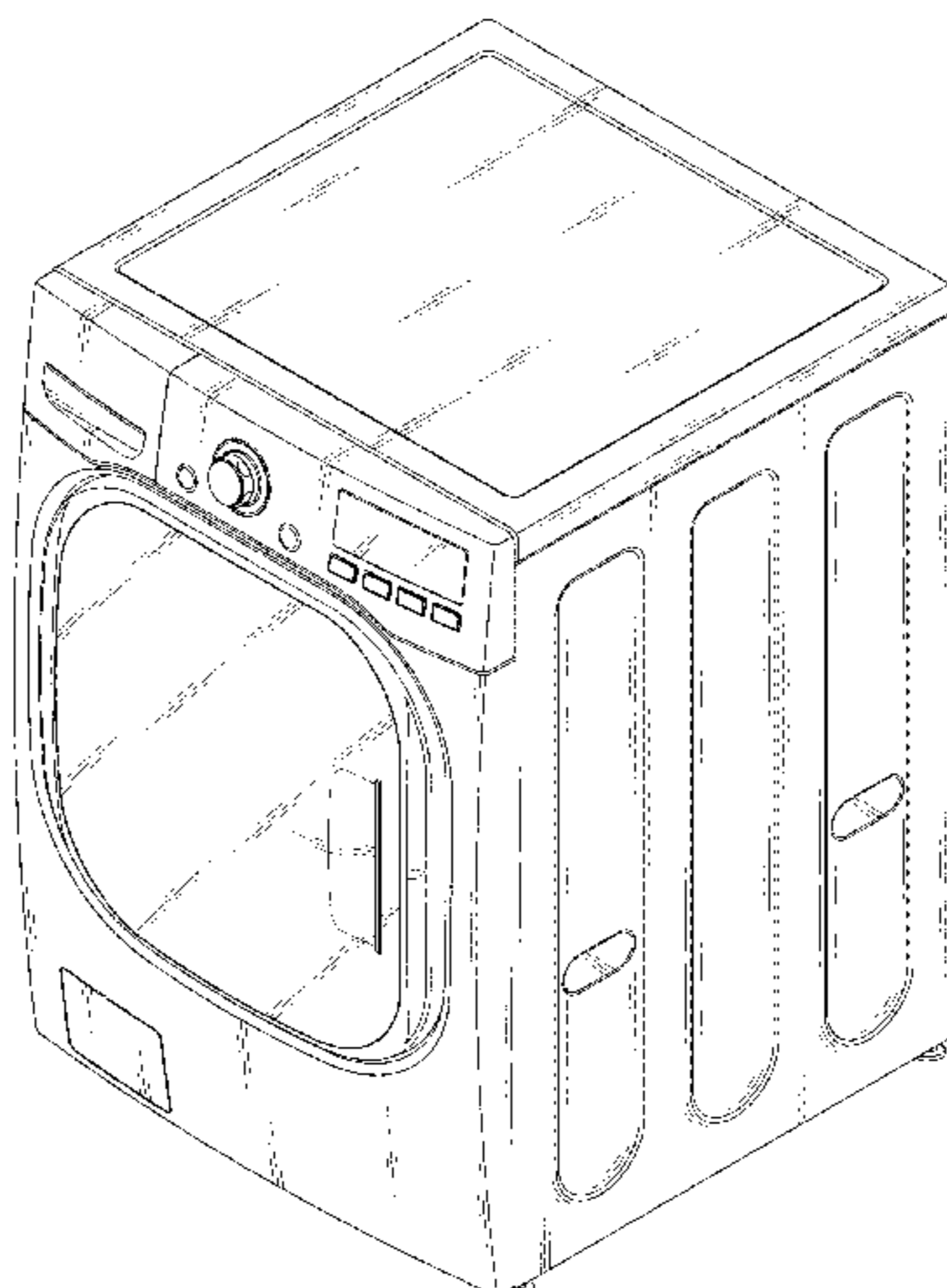
*Primary Examiner* — Eric Goodman  
*Assistant Examiner* — Luqman McNeil  
(74) *Attorney, Agent, or Firm* — Birch, Stewart, Kolasch & Birch, LLP

(57) **CLAIM**  
We claim the ornamental design for a washing machine, as shown and described.

**DESCRIPTION**

FIG. 1 is a perspective view of a washing machine showing the new design;  
FIG. 2 is a front elevation view thereof;  
FIG. 3 is a rear elevation view thereof;  
FIG. 4 is a left-side elevation view thereof;  
FIG. 5 is a right-side elevation view thereof;  
FIG. 6 is a top plan view thereof; and,  
FIG. 7 is a bottom plan view thereof.

**1 Claim, 6 Drawing Sheets**



(56)

**References Cited**

Announced Jan. 1, 2011, [ Site Visited Feb. 19, 2015] <http://www.automaticwasher.org/cgi-bin/TD/TD-VIEWTHREAD.cgi?32194>.\*

OTHER PUBLICATIONS

This Beauty of a Bendix & Dryer late 70's Models, 800rpm, 101lb load H & C fill, 3kw heater, Vented dryer, 3 heats, high airflow,

\* cited by examiner

FIG. 1

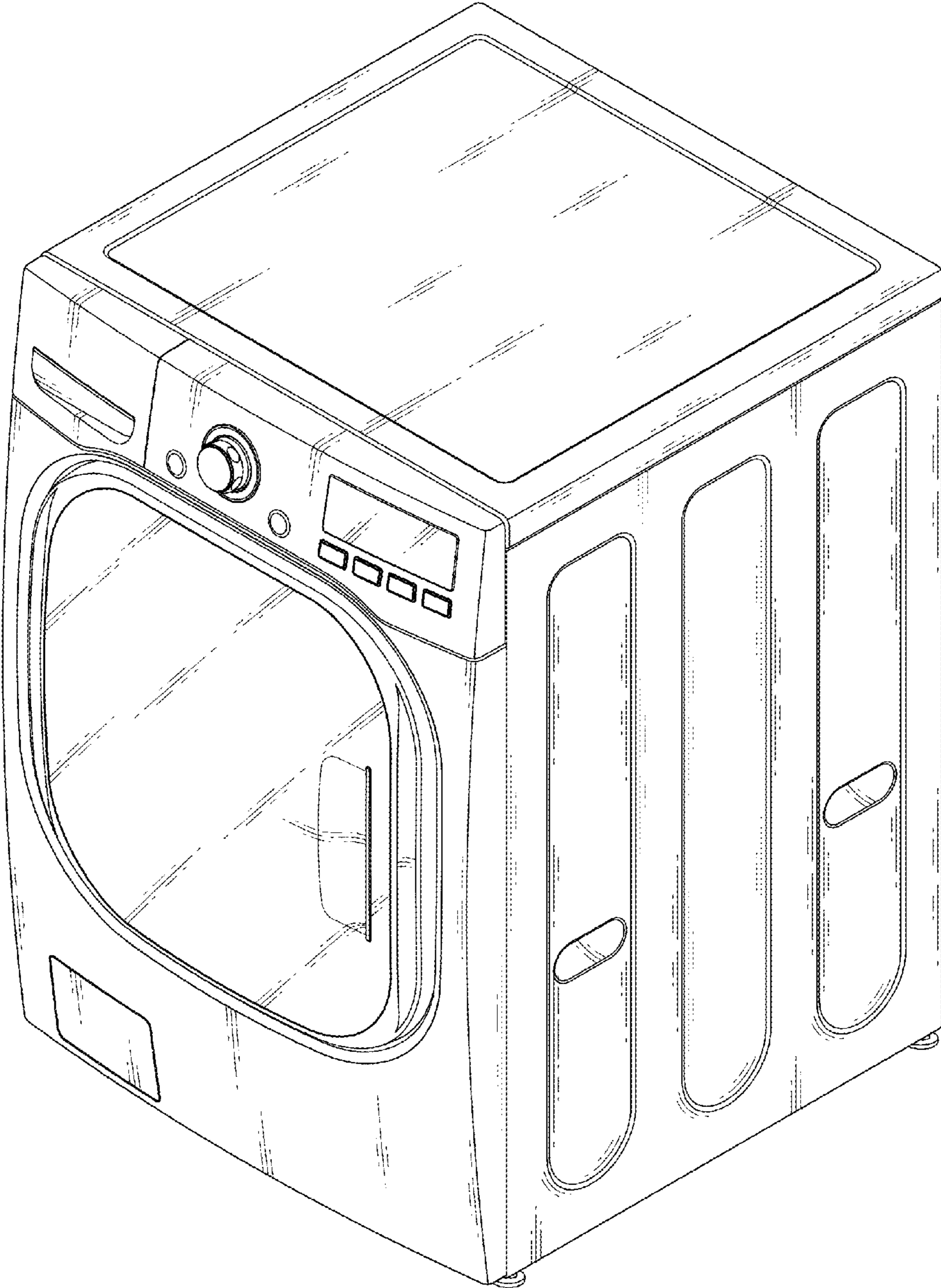


FIG. 2

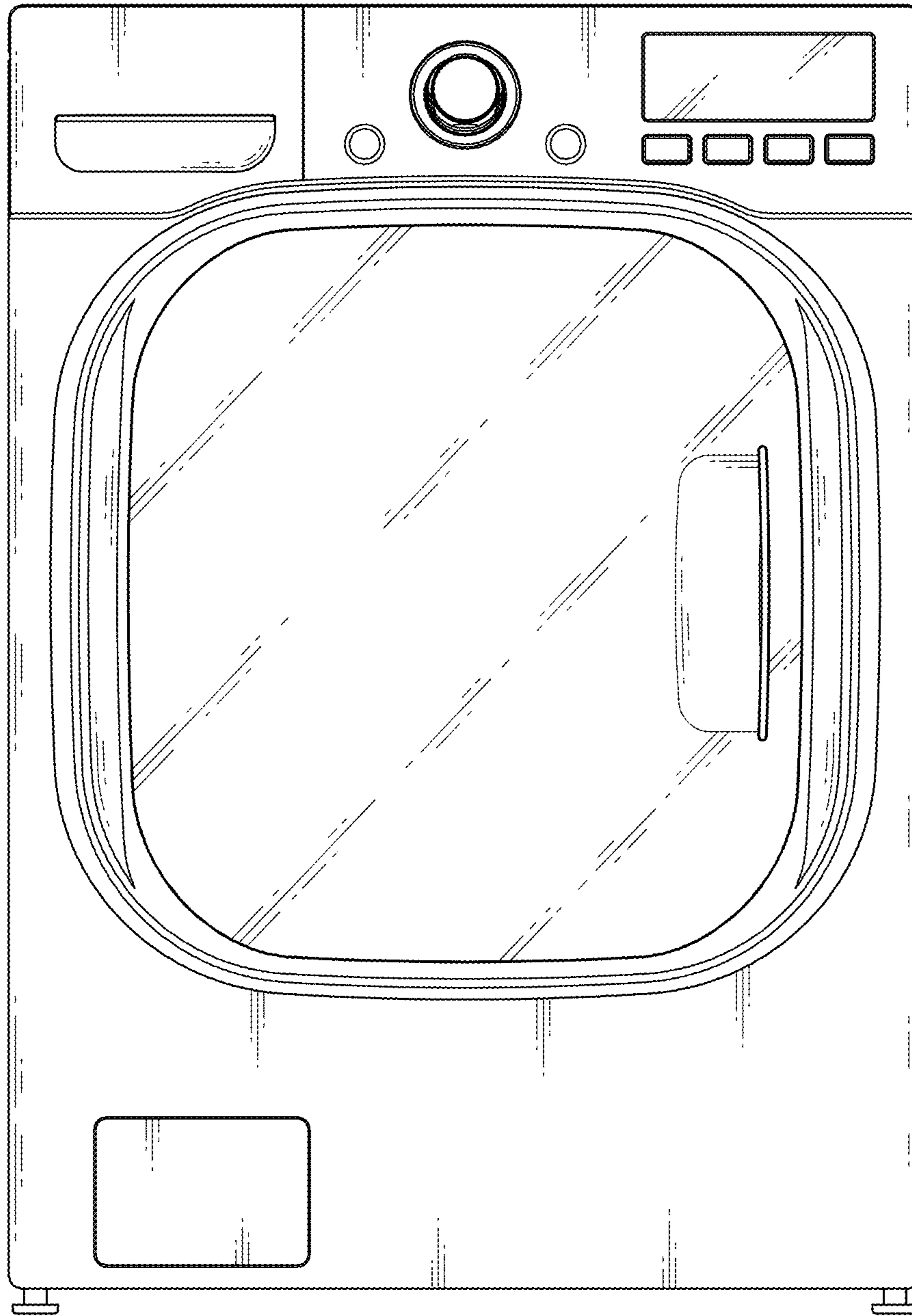


FIG. 3



FIG. 4

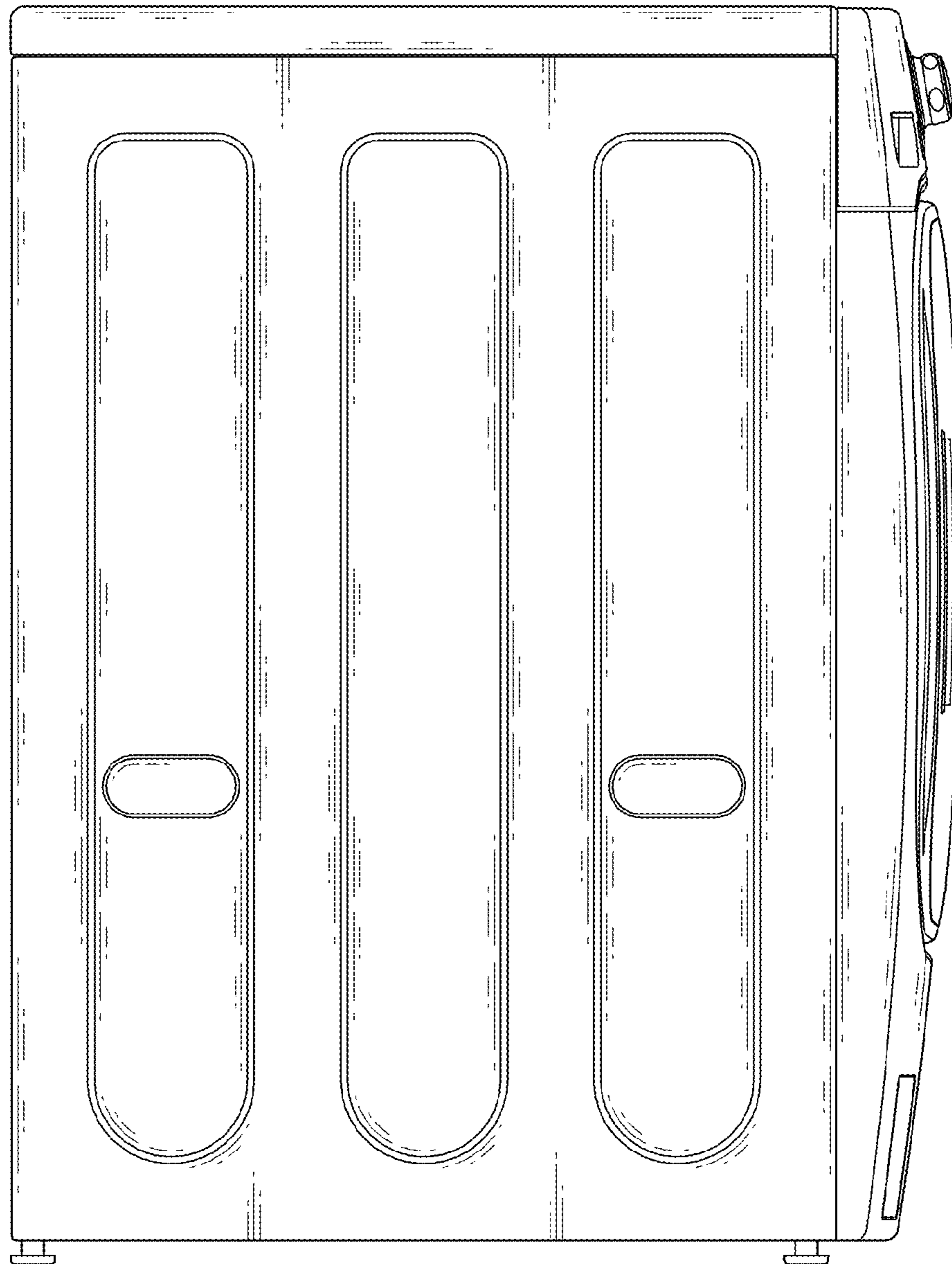


FIG. 5

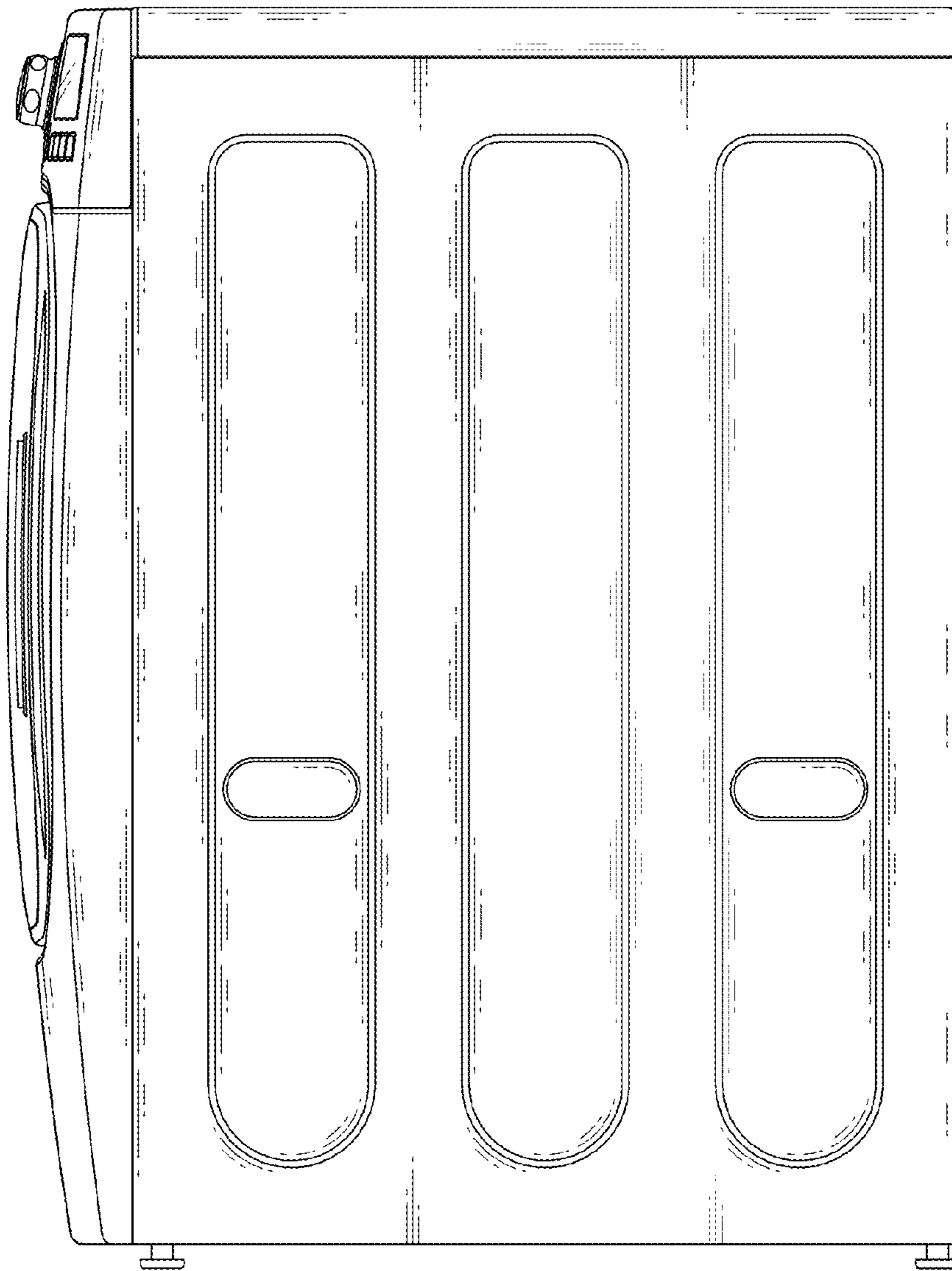


FIG. 6

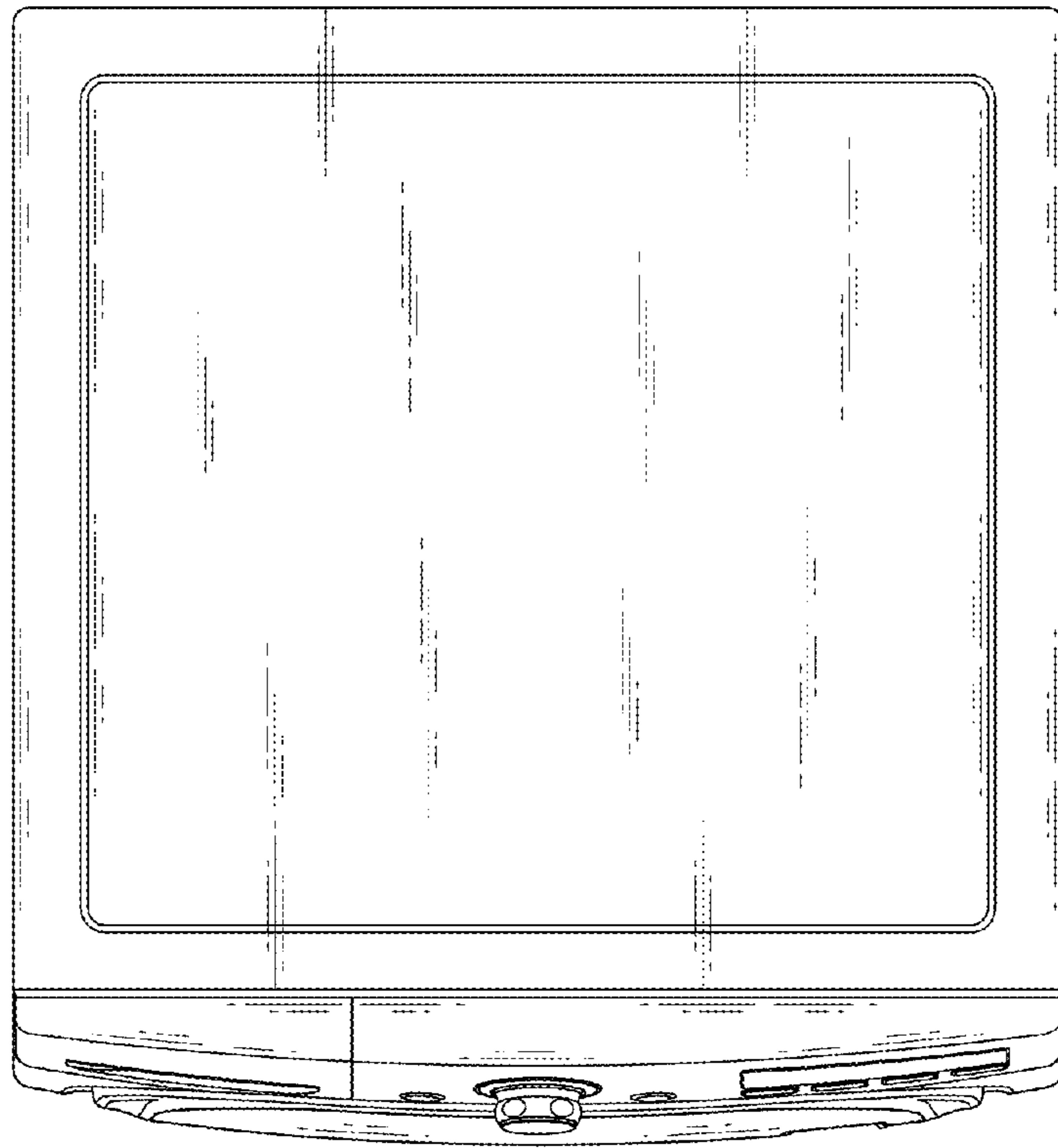


FIG. 7

